



US00D472953S

(12) **United States Design Patent**  
**Jacob et al.**

(10) **Patent No.:** **US D472,953 S**

(45) **Date of Patent:** **\*\* Apr. 8, 2003**

(54) **RECREATIONAL OUTDOOR TABLE**

(76) Inventors: **Lisa S. Jacob**, 1187 Oaklawn Dr.,  
Pontiac, MI (US) 48341; **Audrey**  
**Geans**, 1187 Oaklawn Dr., Pontiac, MI  
(US) 48341

(\*\*) Term: **14 Years**

(21) Appl. No.: **29/160,540**

(22) Filed: **May 13, 2002**

(51) **LOC (7) Cl.** ..... **06-03**

(52) **U.S. Cl.** ..... **D21/784**

(58) **Field of Search** ..... D21/782, 783,  
D21/784, 334; D6/428, 451; 273/287, 236,  
283, 284; 108/153.1, 155, 154, 157.15,  
157.16, 17, 157.17

(56) **References Cited**

**U.S. PATENT DOCUMENTS**

- 1,240,390 A \* 9/1917 Uhle ..... 108/155
- 1,244,520 A \* 10/1917 Lloyd ..... 108/17
- 1,261,793 A \* 4/1918 Dukes ..... 108/17

- D174,550 S \* 4/1955 Gunklach ..... D21/784
- 2,829,939 A \* 4/1958 Hoppe ..... 108/17
- 3,082,003 A \* 3/1963 McConathy ..... 273/126 R
- 3,115,108 A \* 12/1963 Craddock et al. .... 108/155
- D265,415 S \* 7/1982 Bighaus ..... D21/784

\* cited by examiner

*Primary Examiner*—Prabhakar Deshmukh

(57) **CLAIM**

The ornamental design for a recreational outdoor table, as shown and described.

**DESCRIPTION**

FIG. 1 is a perspective view of the recreational outdoor table according to the preferred embodiment of the present design;

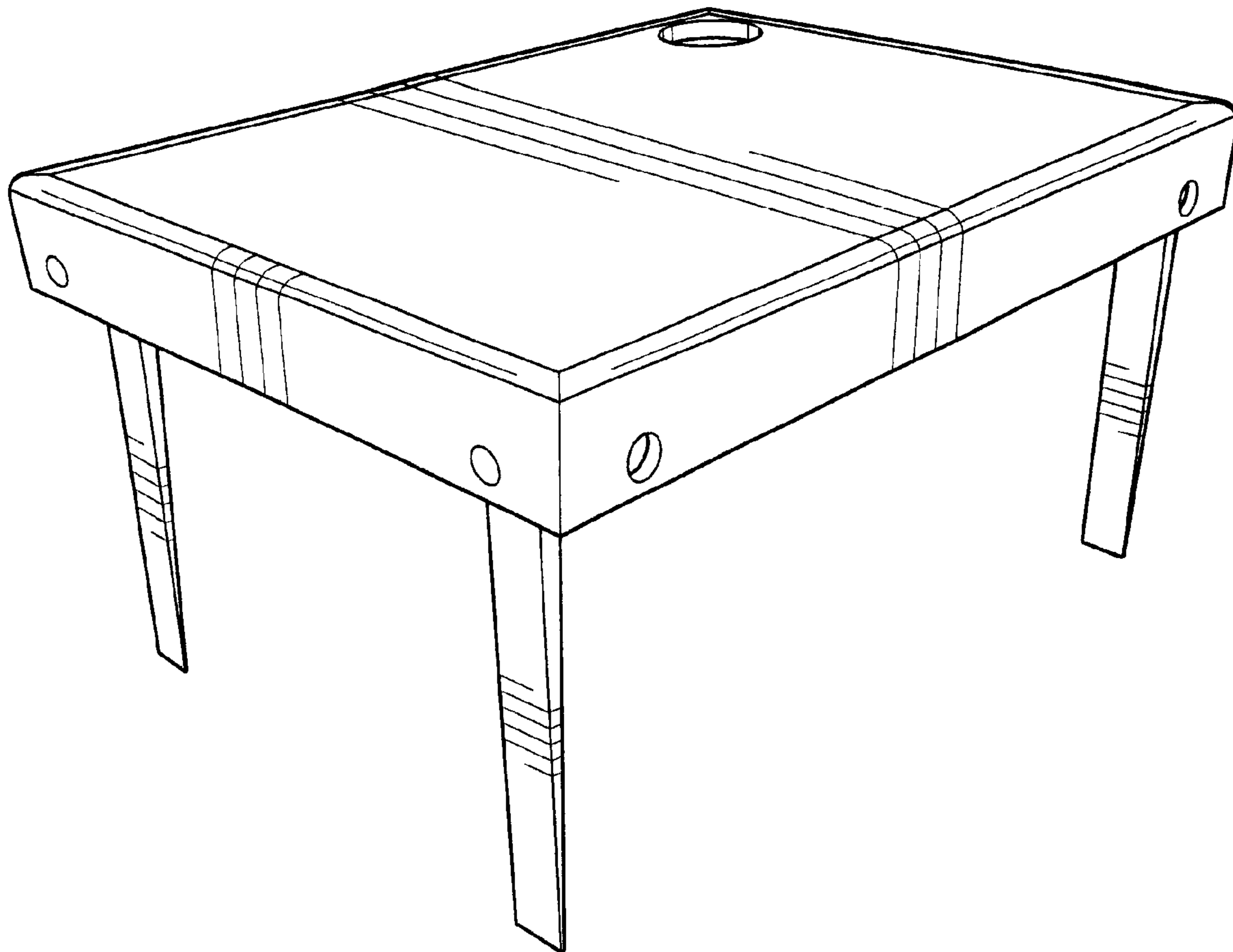
FIG. 2 is a top view of the present design;

FIG. 3 is a bottom view of the present design;

FIG. 4 is a right side view of the present design, a corresponding left side view being a mirror image thereof; and,

FIG. 5 is a front view of the present design, a corresponding rear view being a mirror image thereof.

**1 Claim, 2 Drawing Sheets**



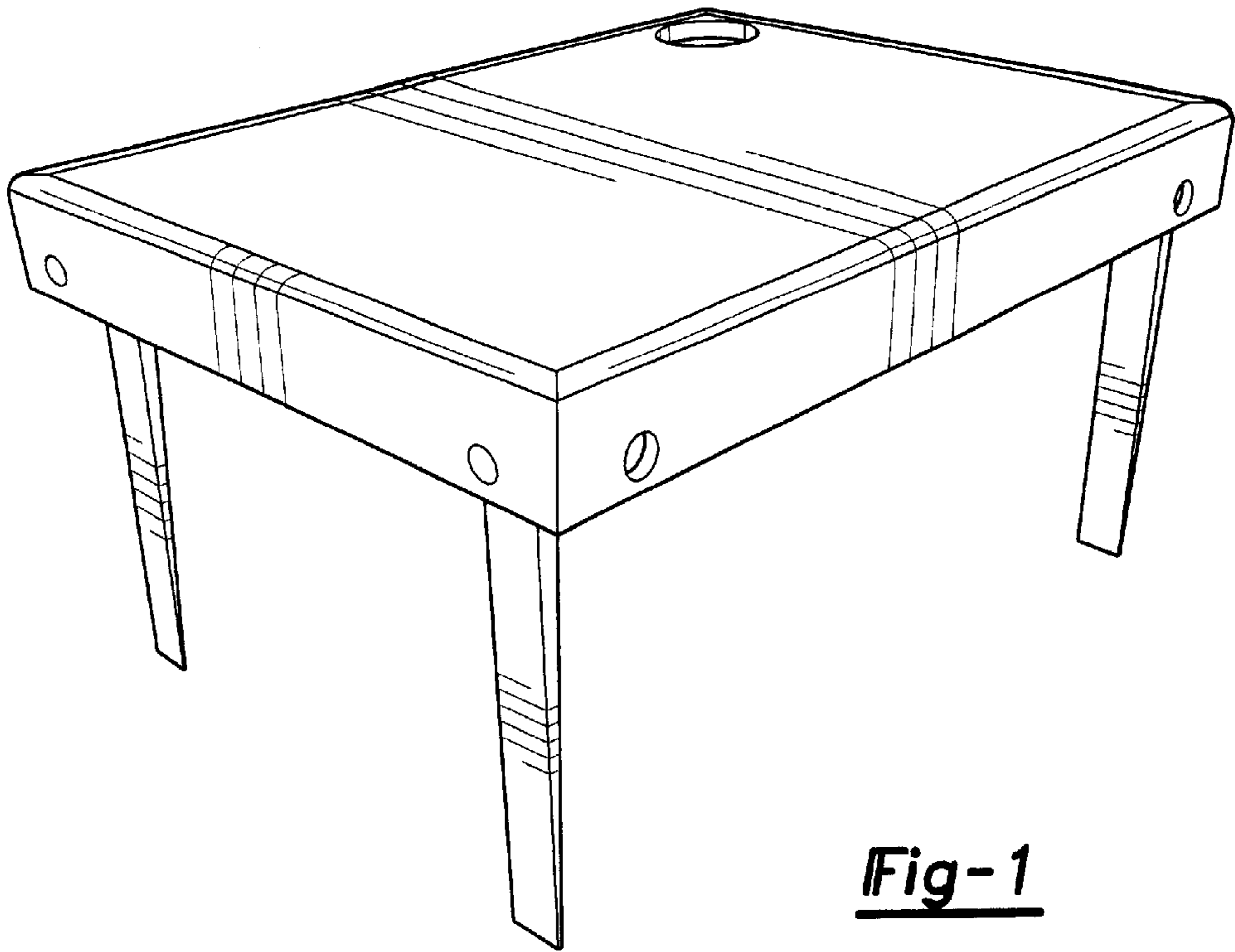


Fig-1

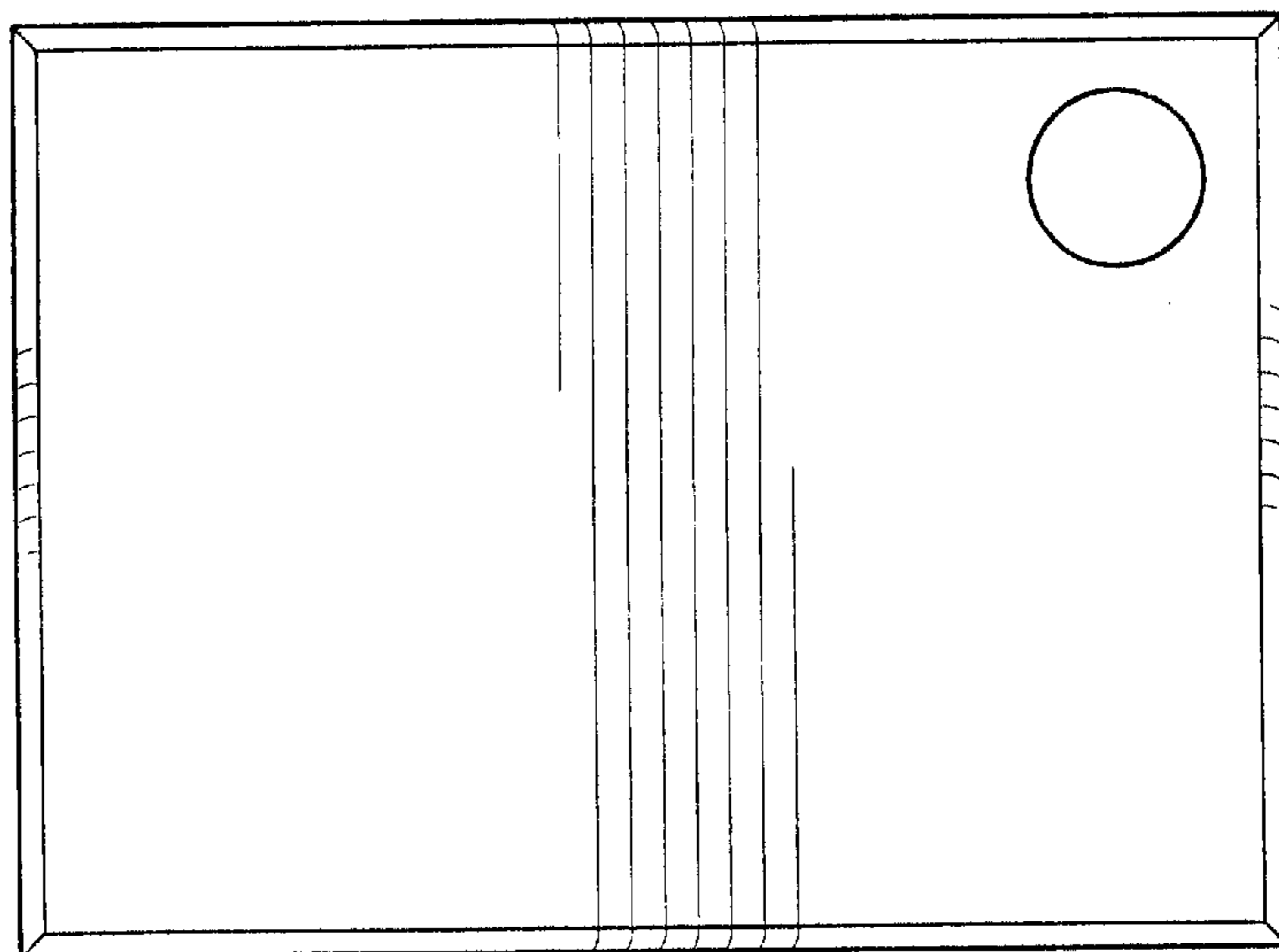


Fig-2

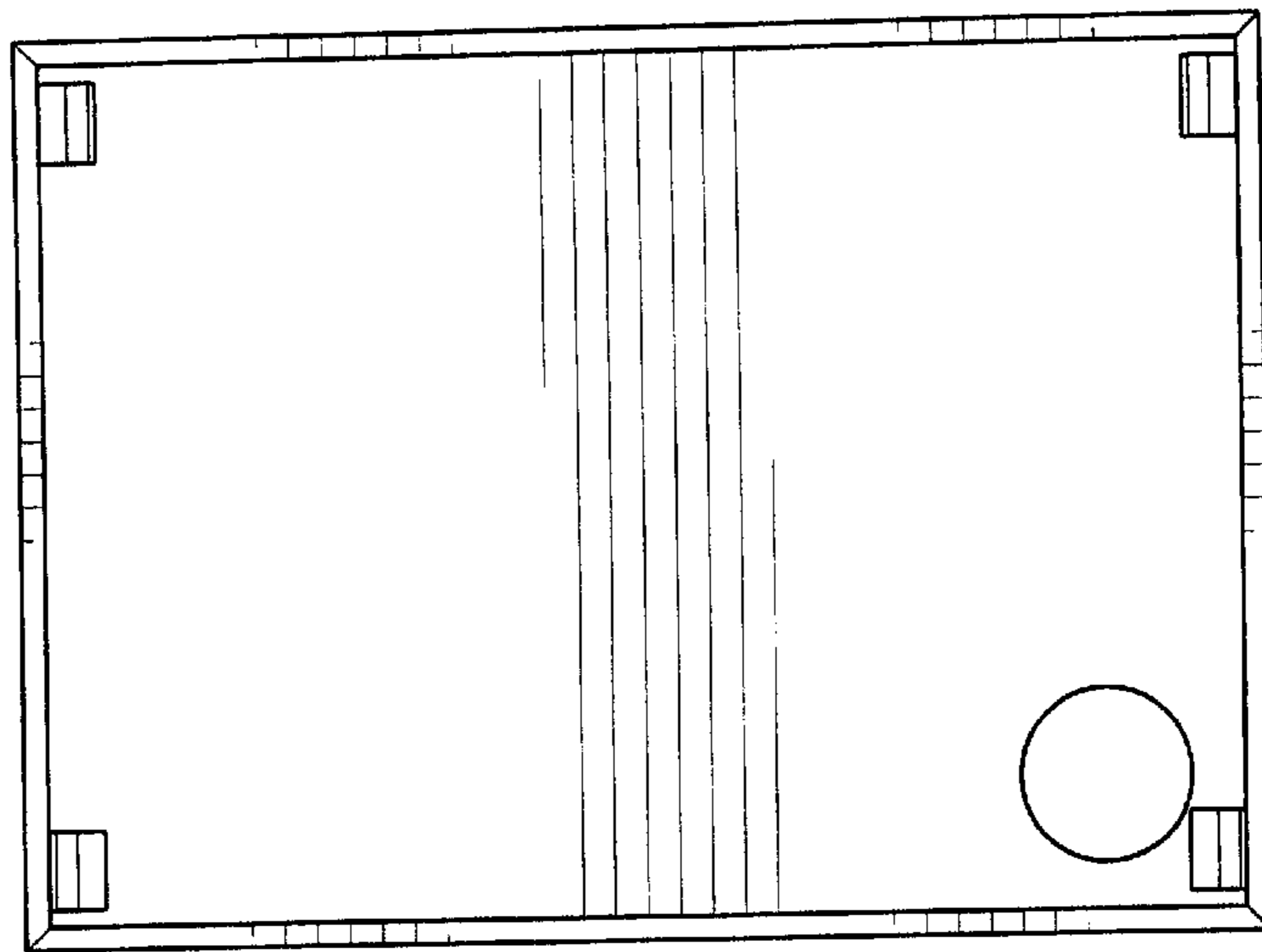


Fig-3

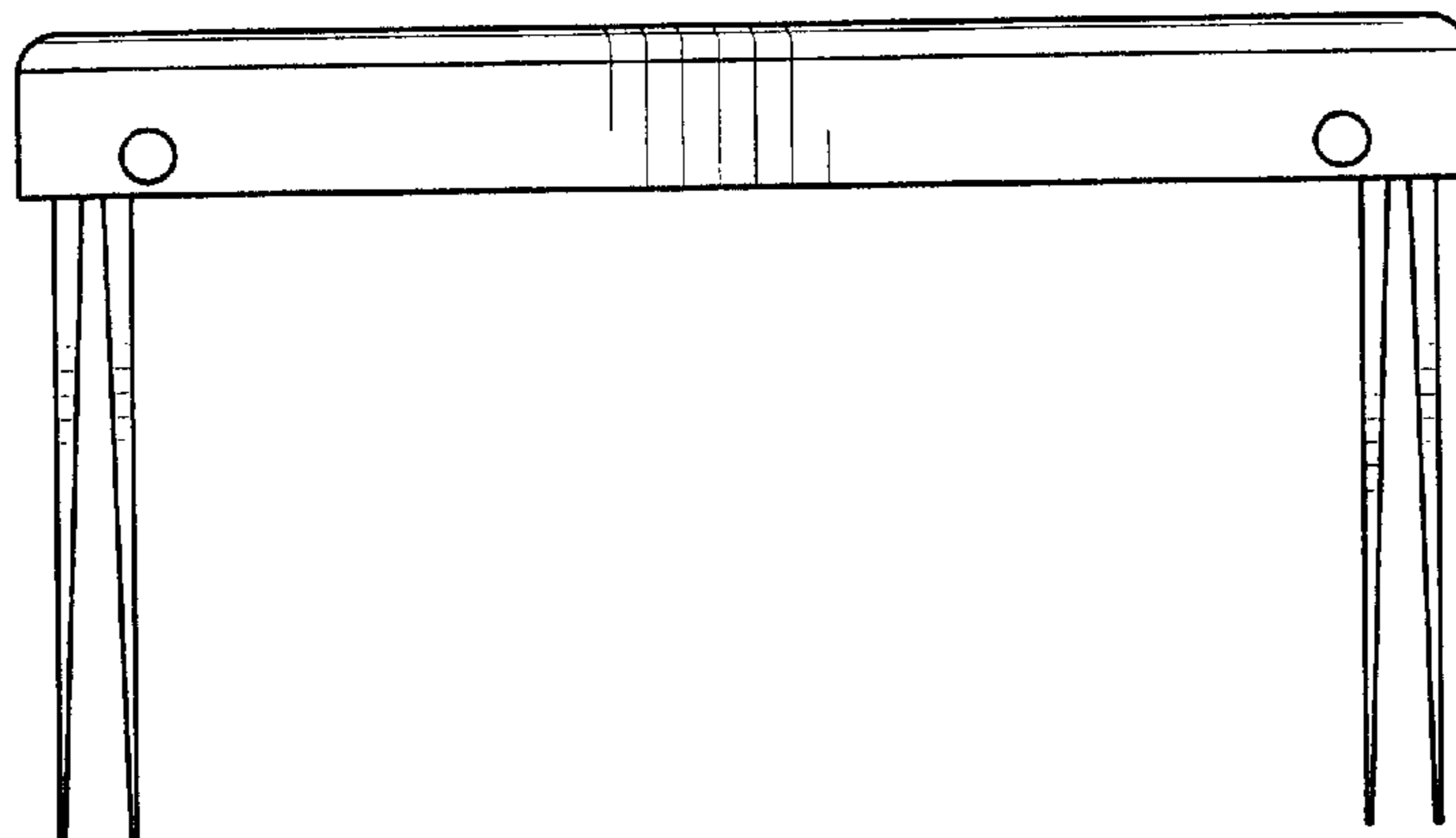


Fig-4

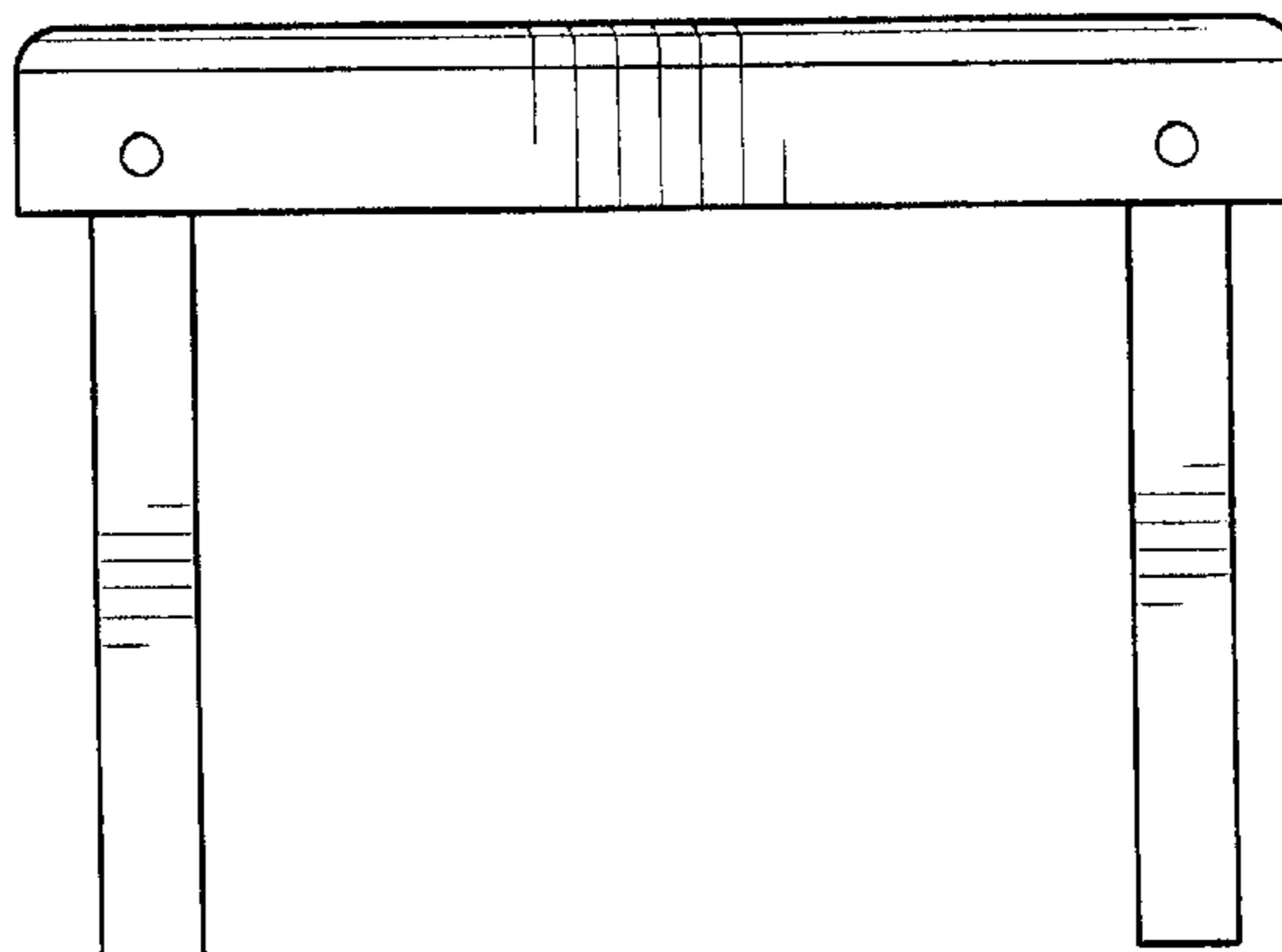


Fig-5