



US00D472949S

(12) **United States Design Patent**  
**Serrano**

(10) **Patent No.:** **US D472,949 S**

(45) **Date of Patent:** **\*\* Apr. 8, 2003**

(54) **GOLF PUTTER HEAD**

(75) Inventor: **Anthony D. Serrano**, Peoria, AZ (US)

(73) Assignee: **Karsten Manufacturing Corporation**,  
Phoenix, AZ (US)

(\*\*) Term: **14 Years**

(21) Appl. No.: **29/160,114**

(22) Filed: **May 3, 2002**

(51) **LOC (7) Cl.** ..... **21-02**

(52) **U.S. Cl.** ..... **D21/736**

(58) **Field of Search** ..... D21/736-746;  
473/324, 327-330, 340, 341, 251-256

(56) **References Cited**

**U.S. PATENT DOCUMENTS**

D213,509 S	*	3/1969	Solheim	.....	D21/743
D231,375 S	*	4/1974	Solheim	.....	D21/742
D379,484 S		5/1997	Solheim		
D399,911 S		10/1998	Nicolette et al.		
D405,836 S		2/1999	Nicolette et al.		
D408,064 S	*	4/1999	Slucker	.....	D21/736
D411,271 S		6/1999	Nelson		
D427,262 S	*	6/2000	Frazetta	.....	D21/743
D444,833 S		7/2001	Wells et al.		
D449,865 S		10/2001	Fife et al.		
D451,973 S		12/2001	Wells et al.		

\* cited by examiner

*Primary Examiner*—Mitchell Siegel

(74) *Attorney, Agent, or Firm*—Darrell F. Marquette

(57) **CLAIM**

I claim the ornamental design for a golf putter head, as shown and described.

**DESCRIPTION**

FIG. 1 is perspective view of a golf putter head showing my new design;

FIG. 2 is a rear elevational view of the golf putter head shown in FIG. 1;

FIG. 3 is a front elevational view of the golf putter head shown in FIG. 1;

FIG. 4 is a toe end view of the golf putter head shown in FIG. 1;

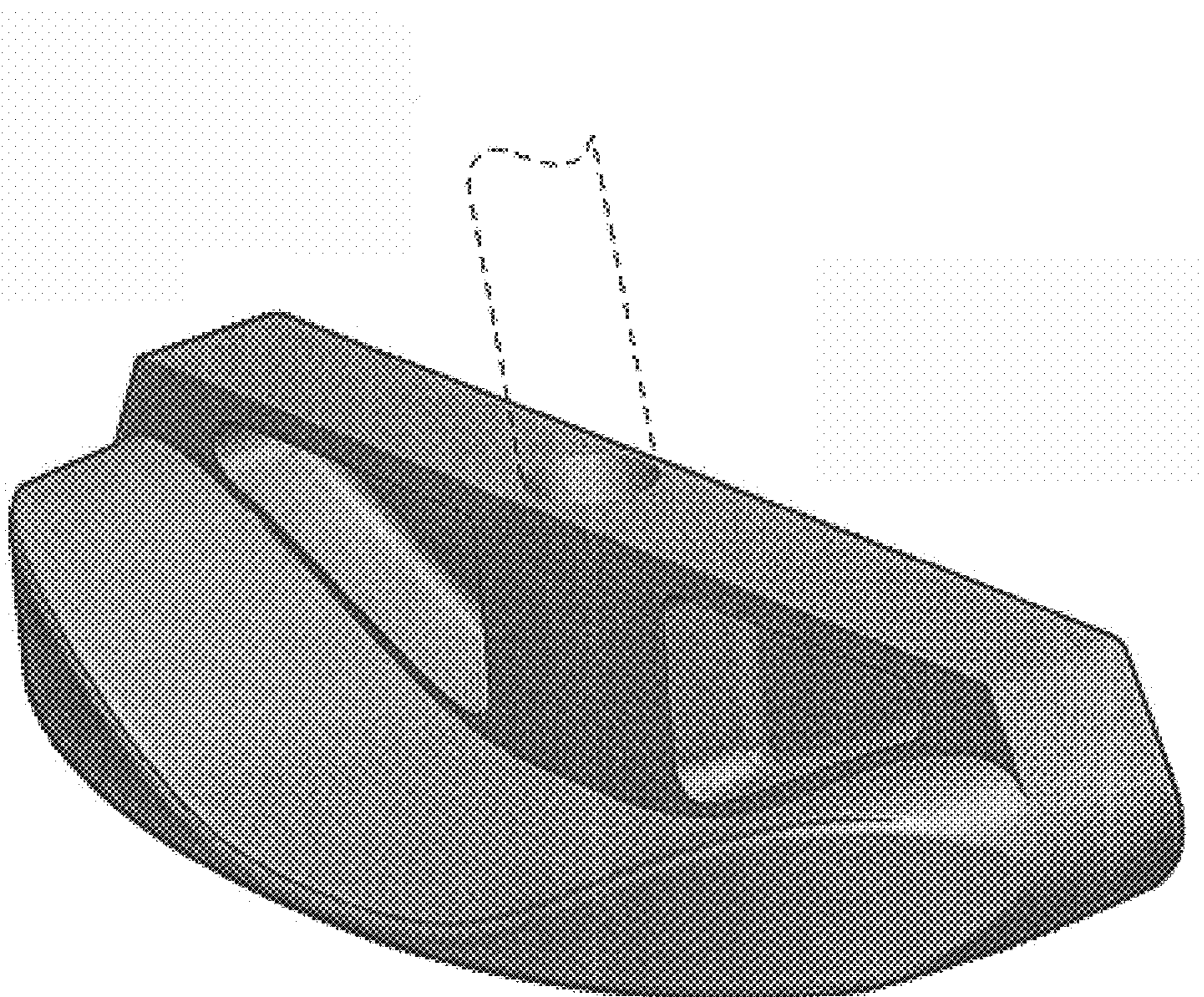
FIG. 5 is a heel end view of the golf putter head shown in FIG. 1;

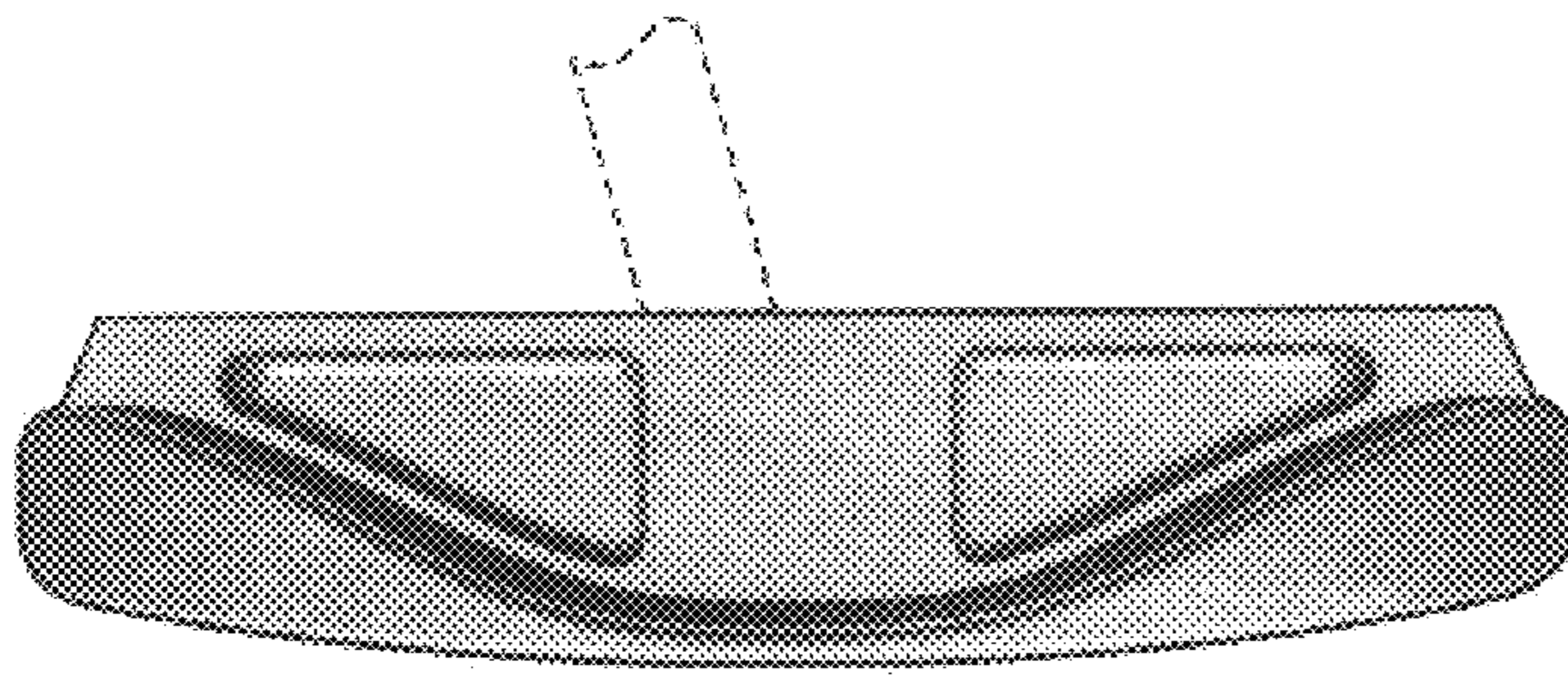
FIG. 6 is a top plan view of the golf putter head shown in FIG. 1; and,

FIG. 7 is a bottom view of the golf putter head shown in FIG. 1.

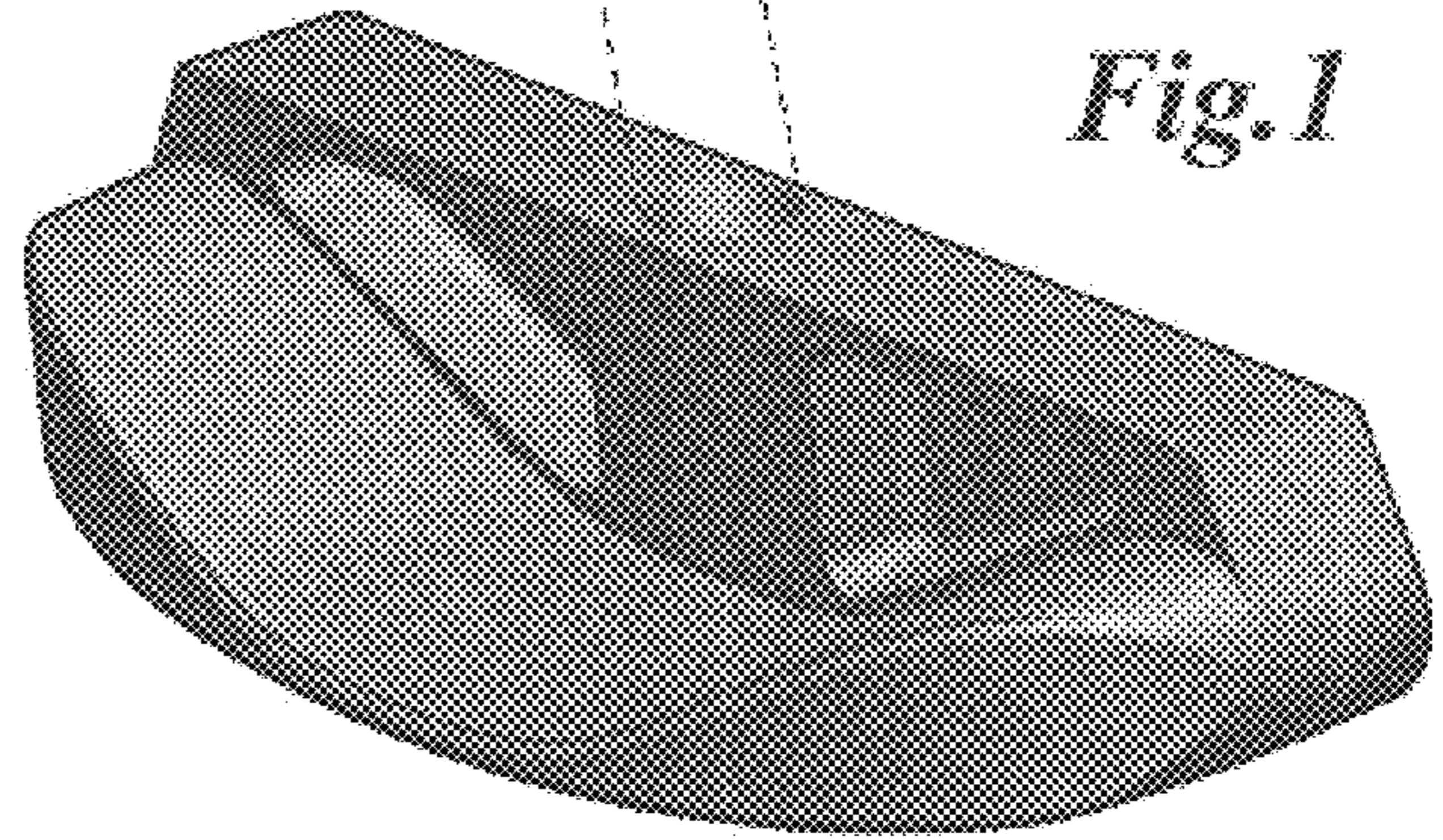
The broken line showing of a fragmented shaft in FIGS. 1-6 is for illustrative purposes only and forms no part of the claimed design.

**1 Claim, 1 Drawing Sheet**

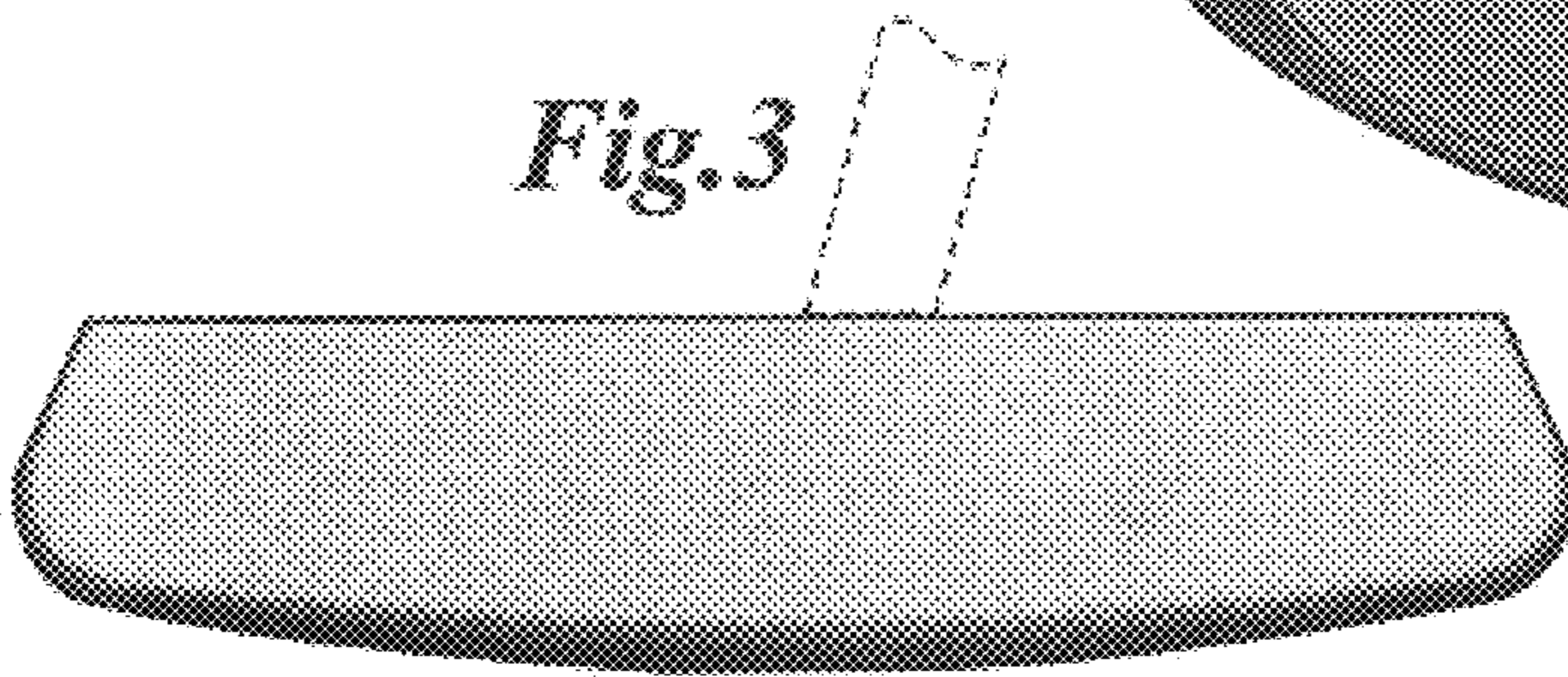




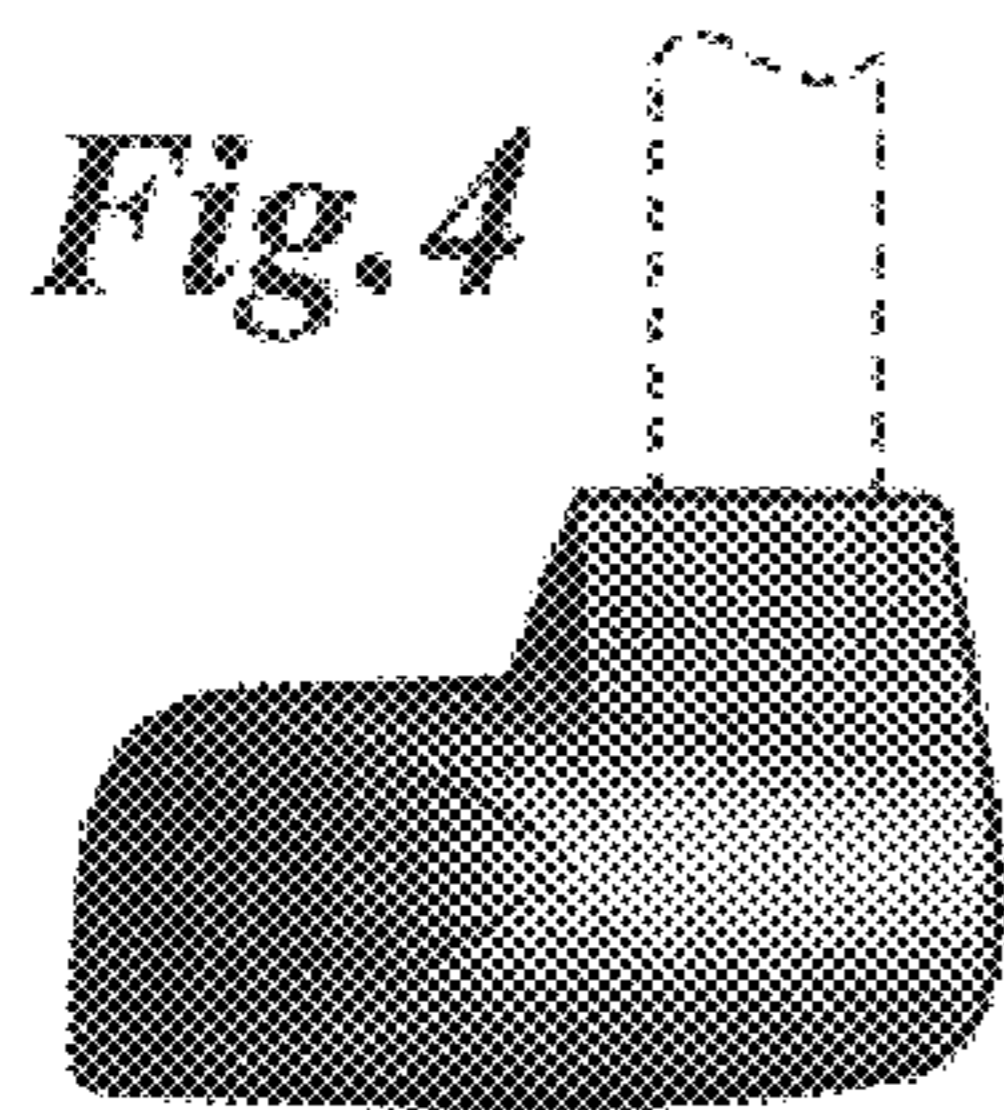
*Fig. 2*



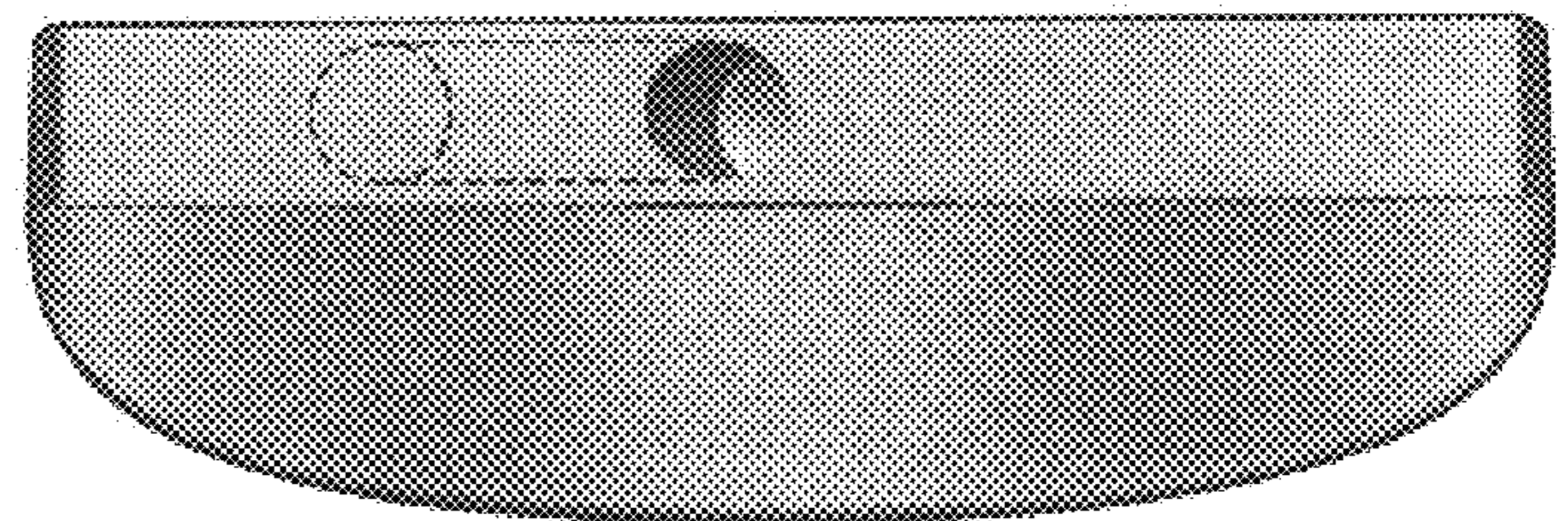
*Fig. 1*



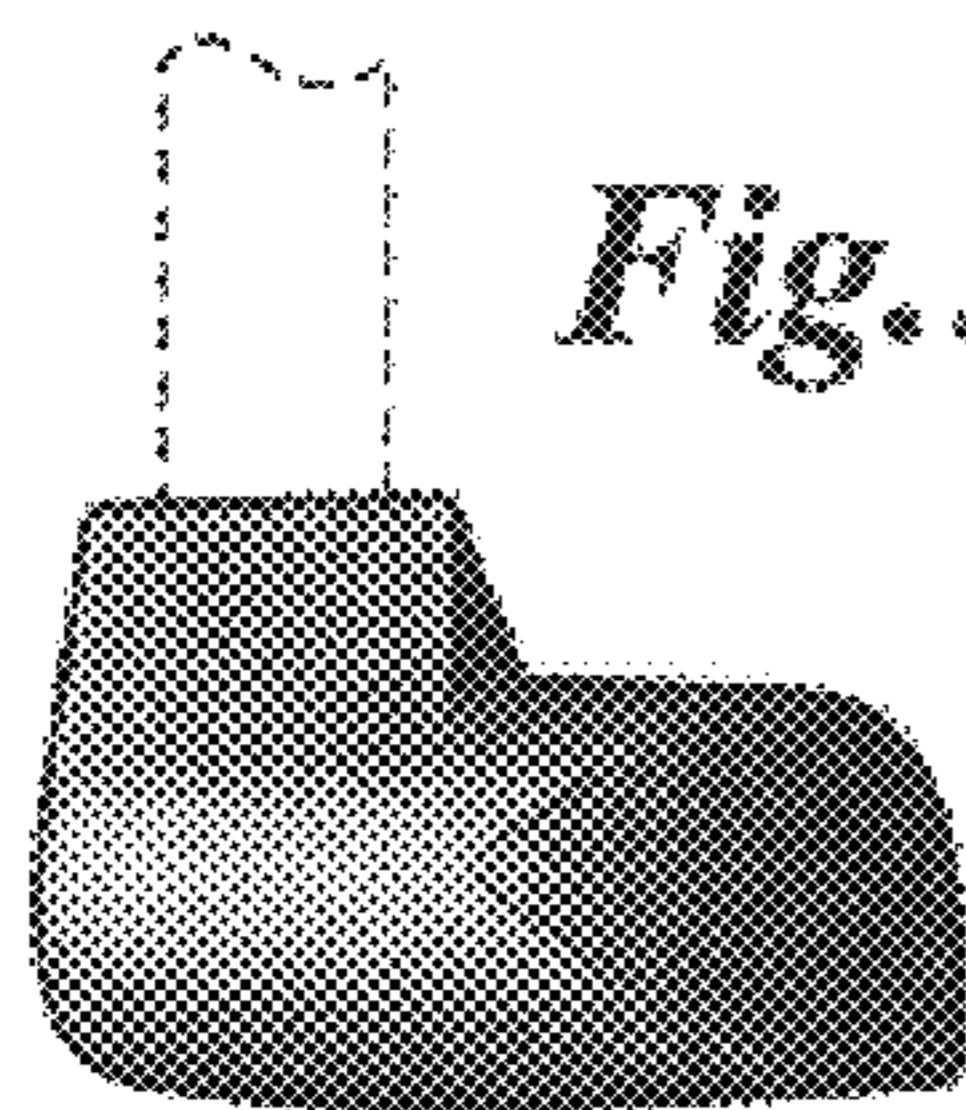
*Fig. 3*



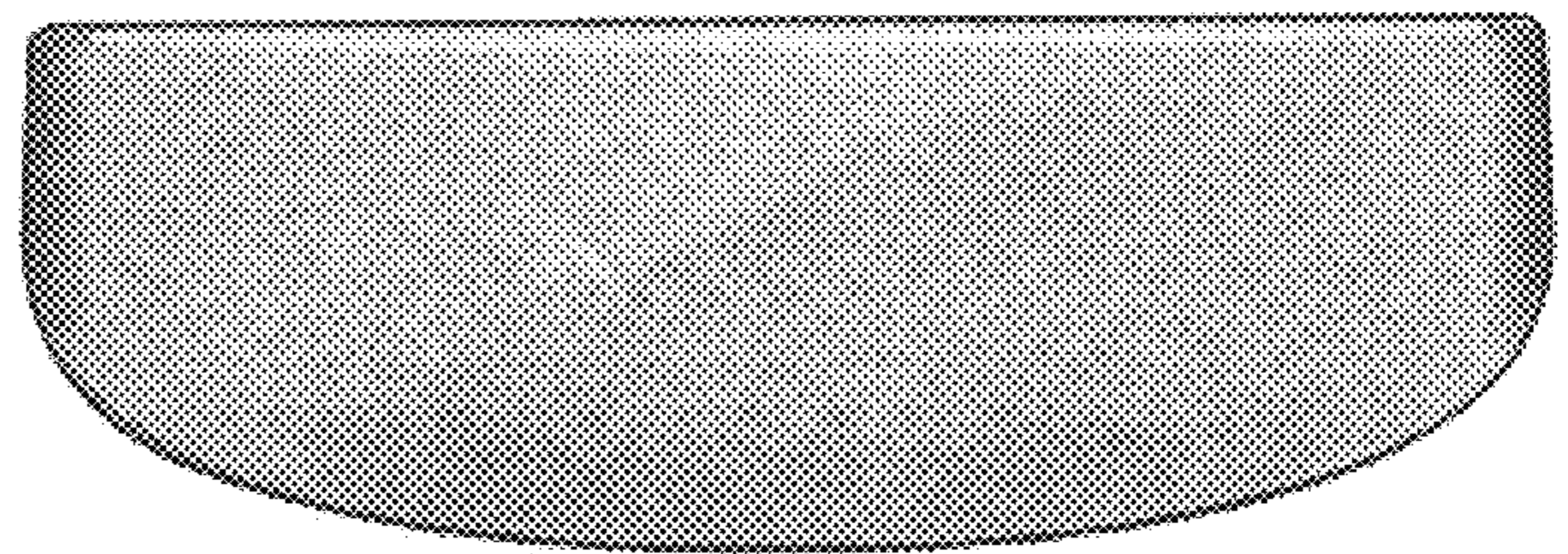
*Fig. 4*



*Fig. 6*



*Fig. 5*



*Fig. 7*