



US00D472947S

(12) **United States Design Patent**
Wu

(10) **Patent No.:** **US D472,947 S**

(45) **Date of Patent:** **** Apr. 8, 2003**

(54) **RESISTANCE ADJUSTMENT KNOB FOR AN EXERCISER**

(75) Inventor: **Chin-Yeh Wu**, Chang-Hwa (TW)

(73) Assignee: **Fwu Chyi Industry Co., Ltd.**,
Chang-Hwa Hsien (TW)

(**) Term: **14 Years**

(21) Appl. No.: **29/144,664**

(22) Filed: **Jul. 6, 2001**

(51) **LOC (7) Cl.** **21-02**

(52) **U.S. Cl.** **D21/694; D8/312**

(58) **Field of Search** D21/662, 663,
D21/668, 669, 670, 684, 694; 482/148;
D8/312, 308, 309, 310; 16/110 R

(56) **References Cited**

U.S. PATENT DOCUMENTS

- D281,710 S * 12/1985 Kirby D21/663
- D282,478 S * 2/1986 Williams 482/60
- D292,771 S * 11/1987 Kim D8/107
- D324,986 S * 3/1992 Fratantonio et al. D8/312

- D335,989 S * 6/1993 Van Hise D6/512
- D348,708 S * 7/1994 Chen D21/670
- D373,395 S * 9/1996 Chen D21/663
- 5,603,675 A * 2/1997 Wu 482/51
- D416,060 S * 11/1999 Angeles D21/694

* cited by examiner

Primary Examiner—Philip S. Hyder

(74) *Attorney, Agent, or Firm*—MacPherson Kwok Chen & Heid LLP

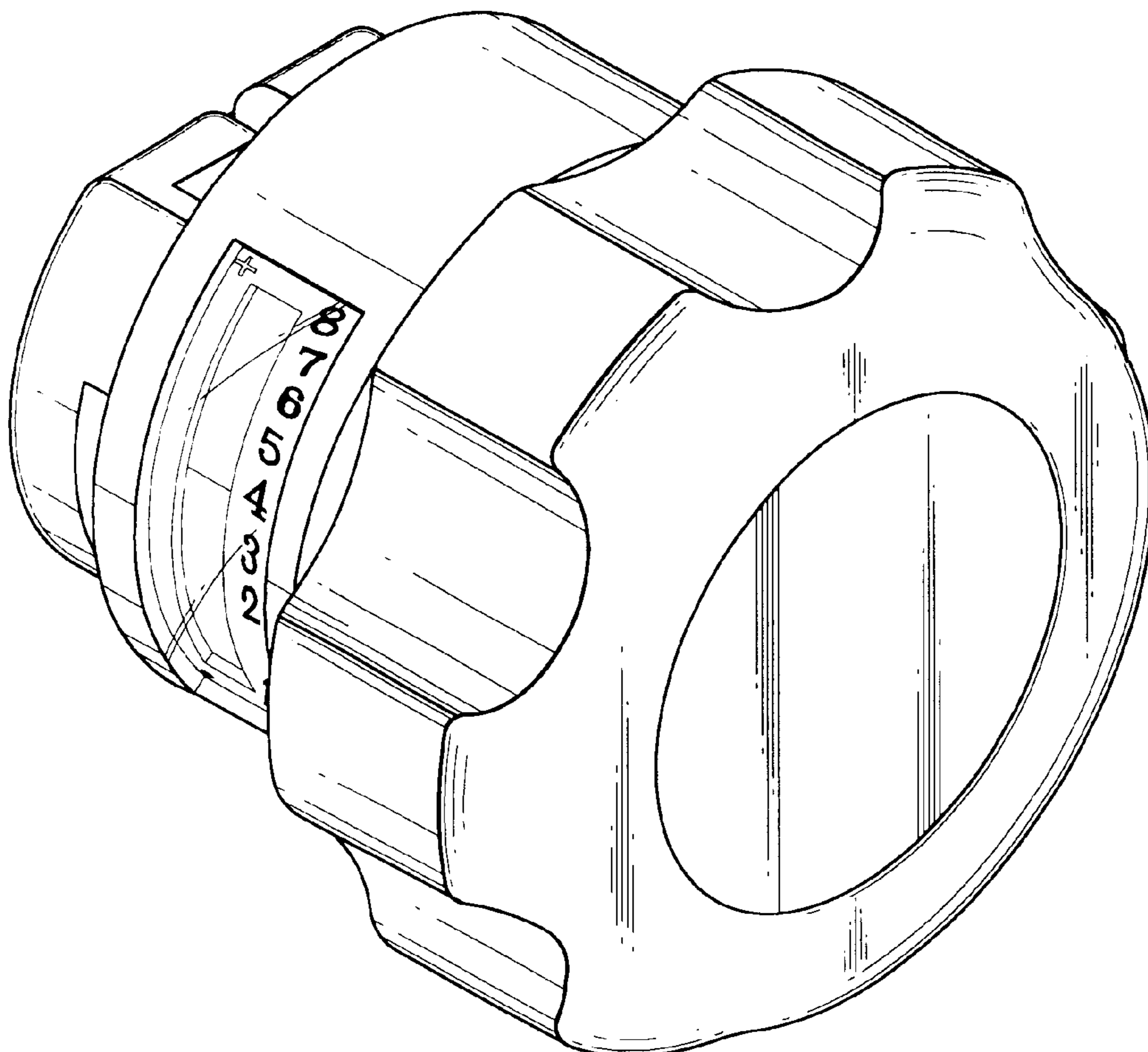
(57) **CLAIM**

The ornamental design for resistance adjustment knob for an exerciser, as shown and described.

DESCRIPTION

FIG. 1 is a perspective view of resistance adjustment knob for an exerciser showing my new design; FIG. 2 is a front elevational view thereof; FIG. 3 is a rear elevational view thereof; FIG. 4 is a right side elevational view thereof; FIG. 5 is a top plan view thereof; and, FIG. 6 is a bottom plan view thereof.

1 Claim, 4 Drawing Sheets



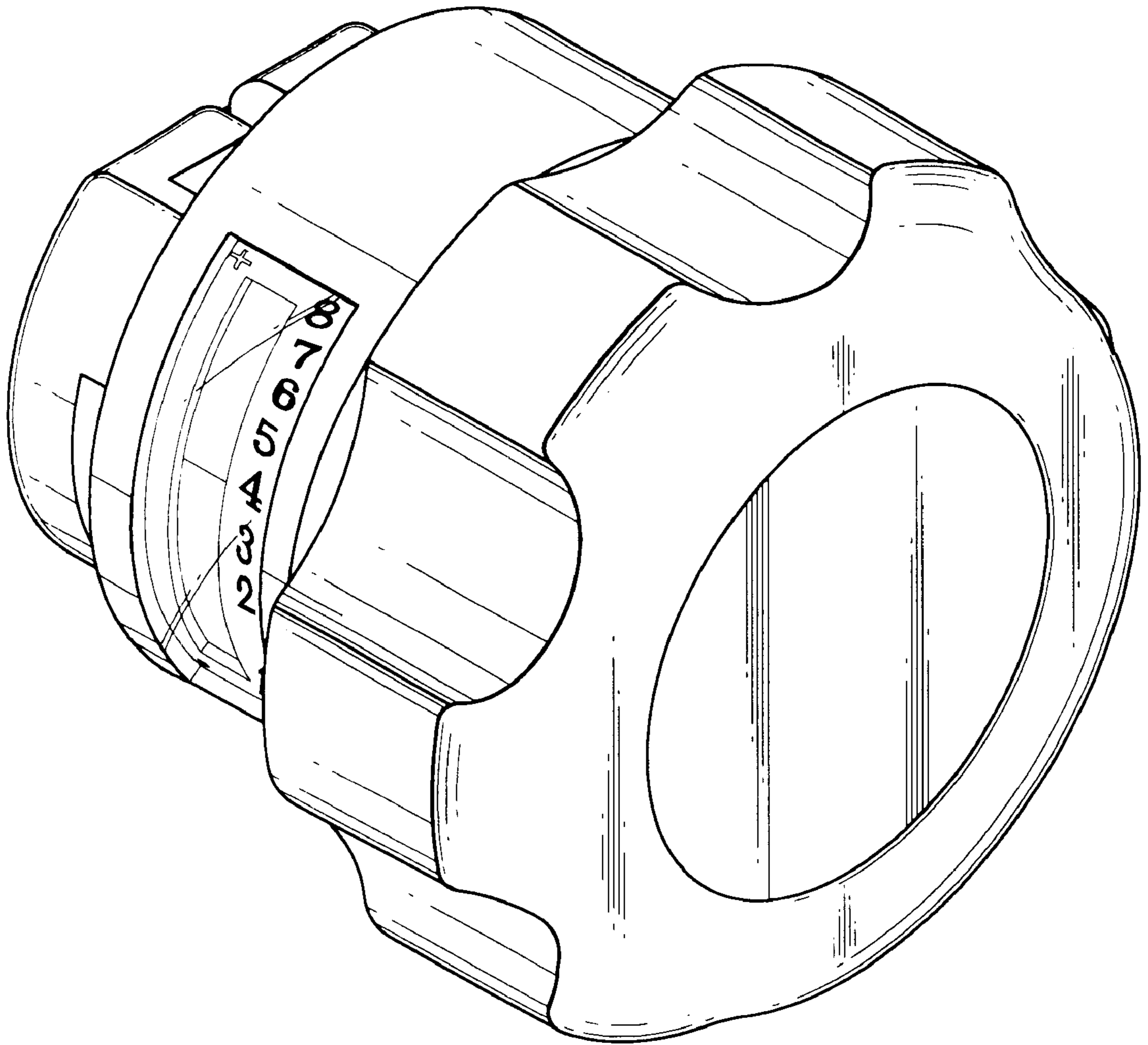


FIG. 1

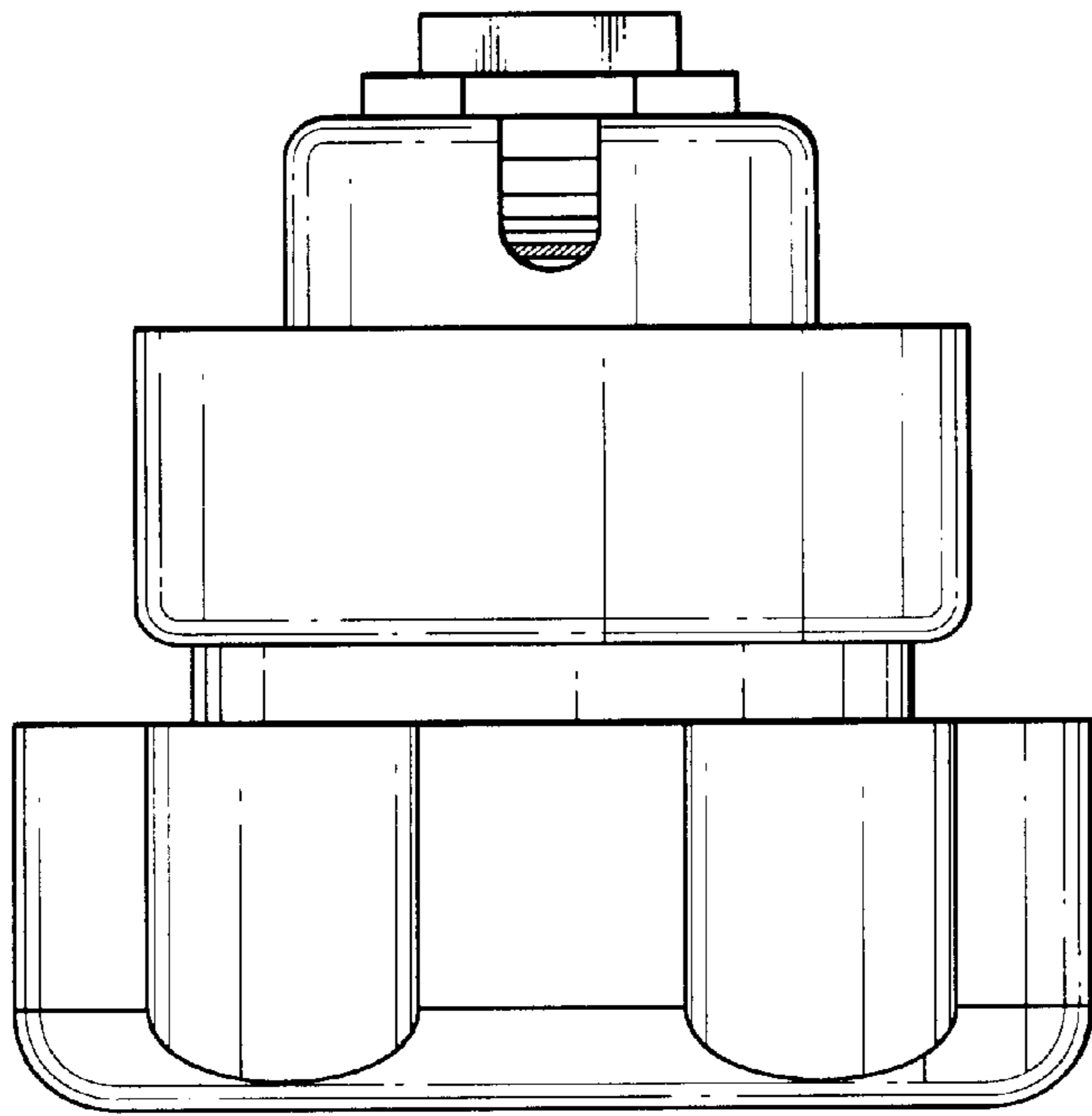


FIG. 3

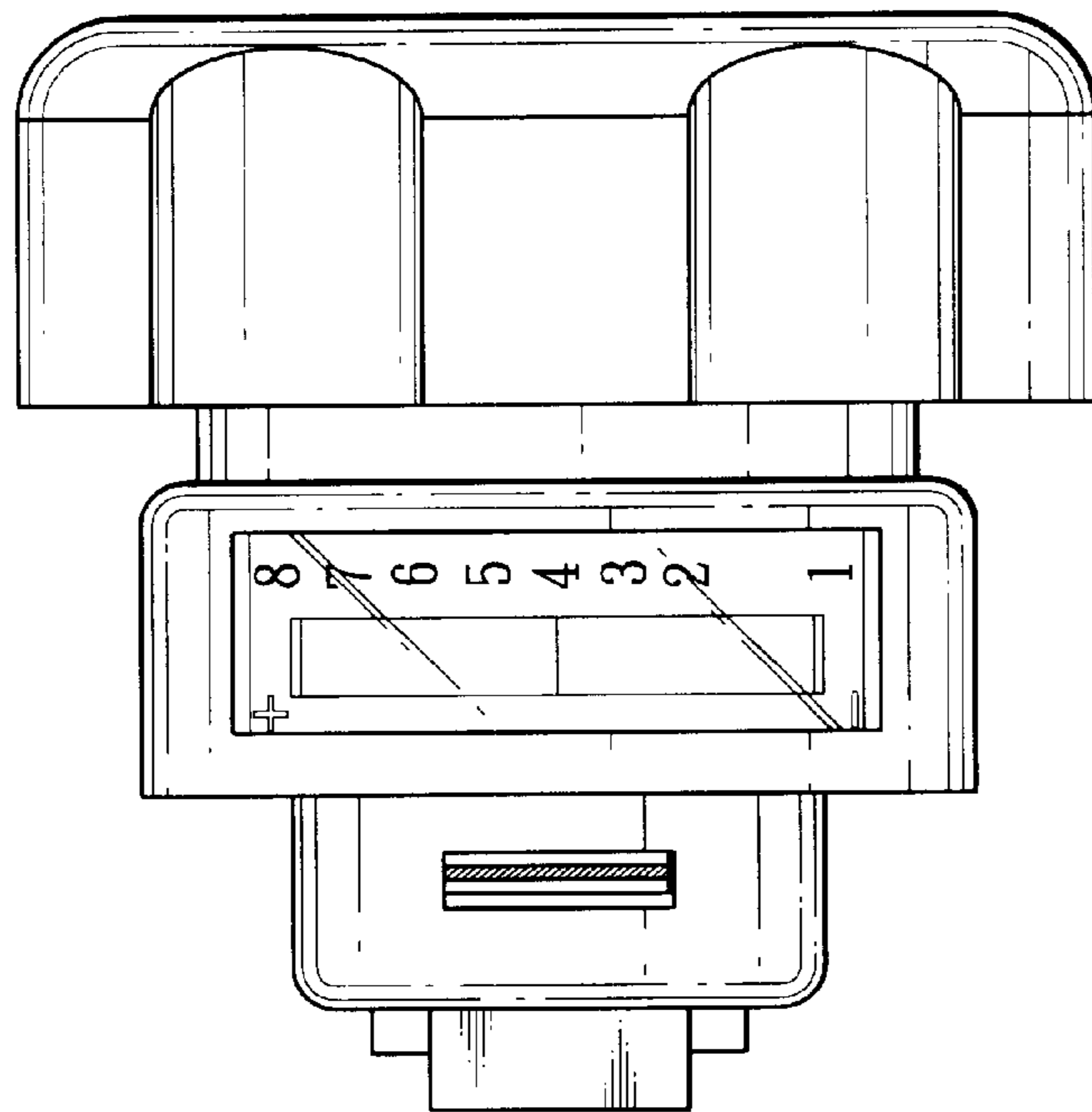


FIG. 2

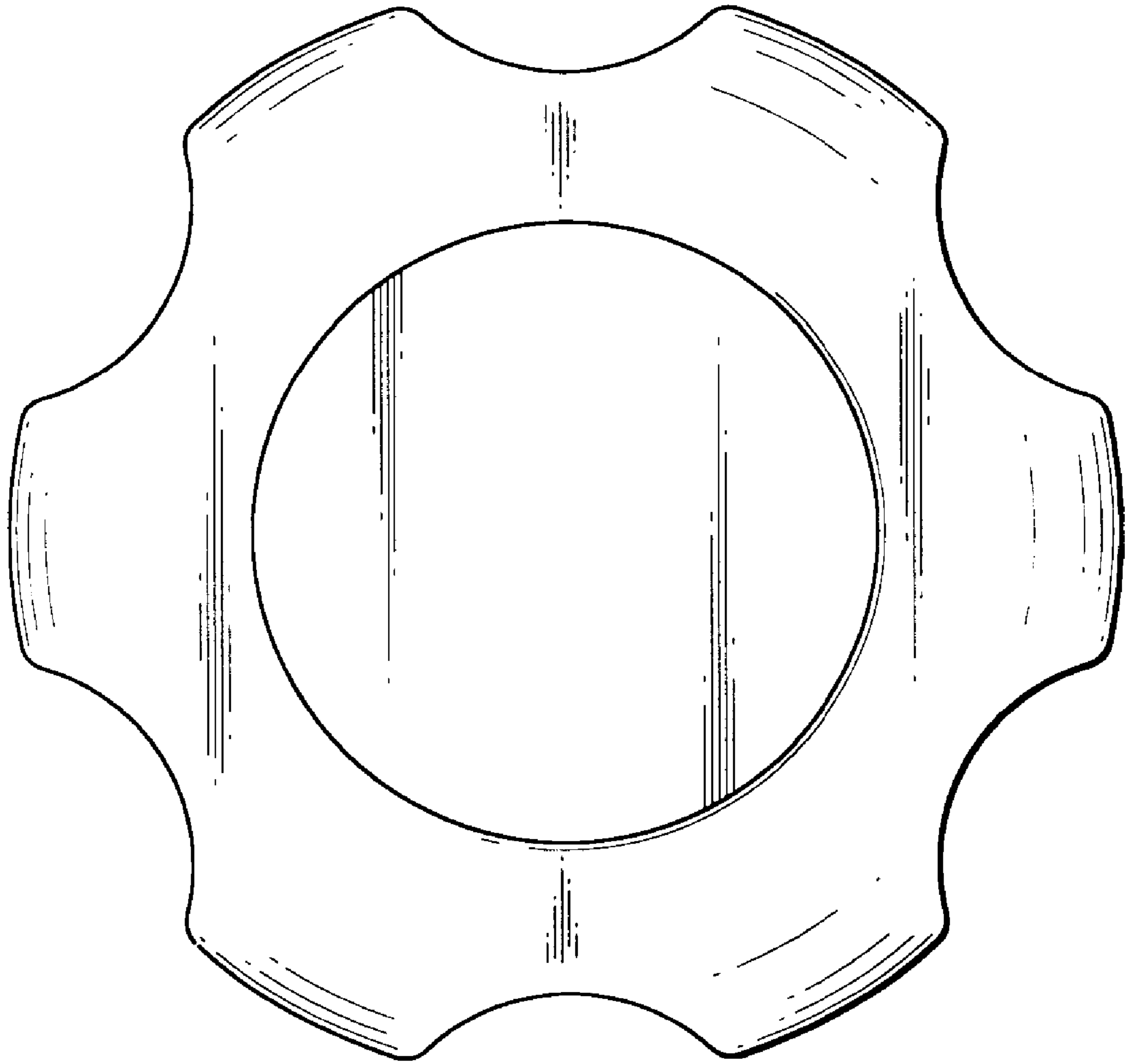


FIG. 4

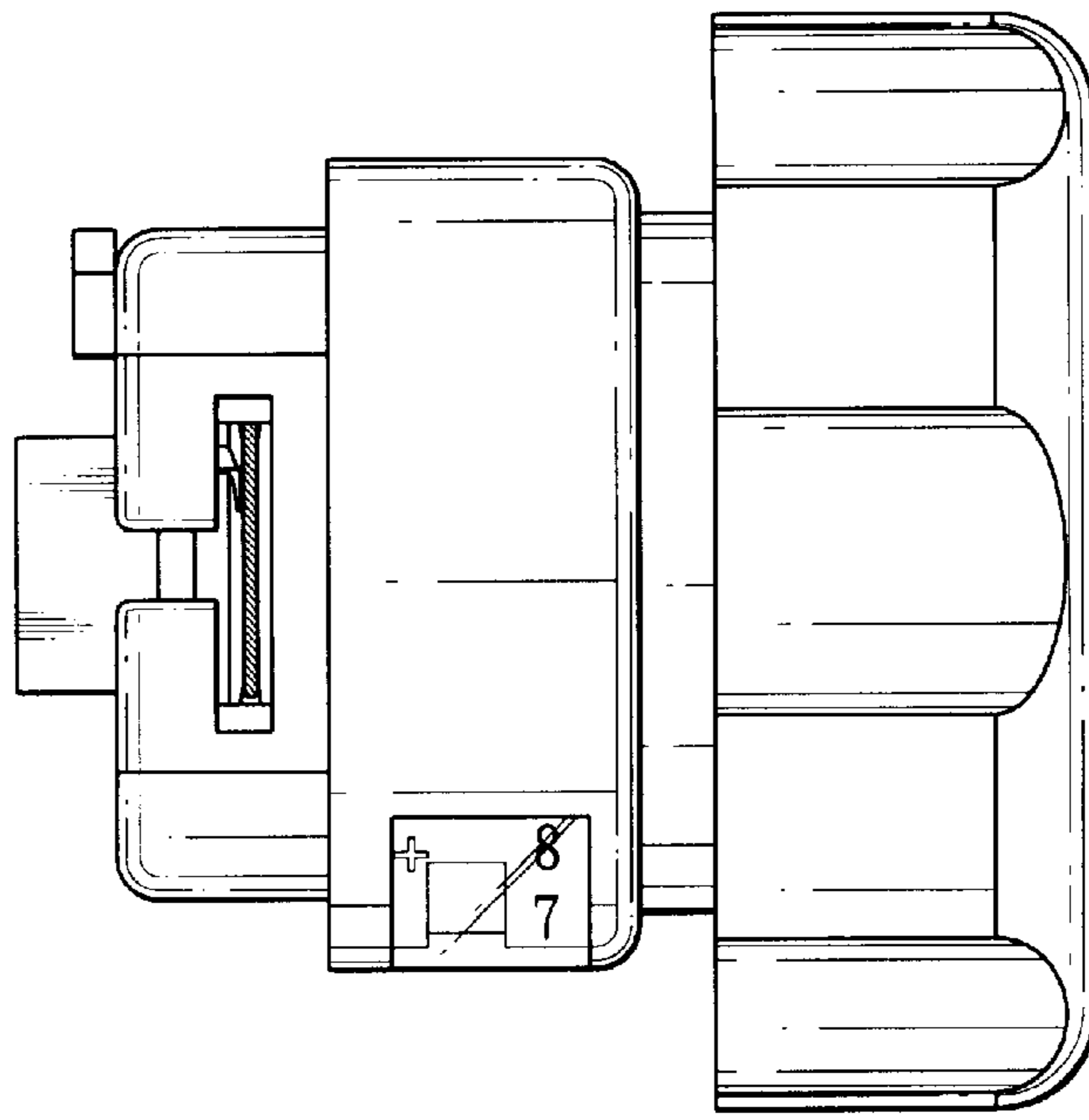


FIG. 5

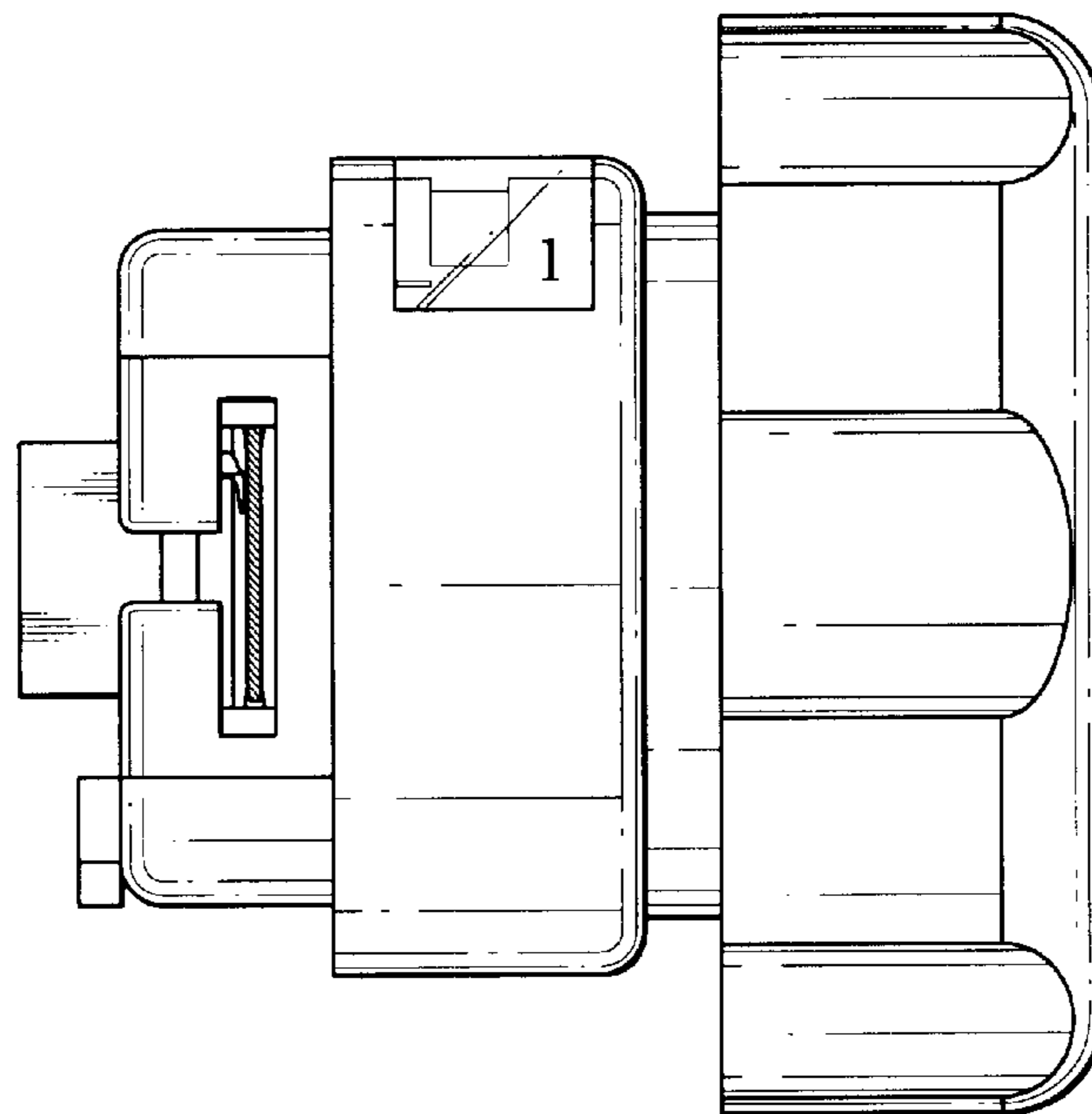


FIG. 6