



US00D472946S

(12) **United States Design Patent**
Wu

(10) **Patent No.:** **US D472,946 S**

(45) **Date of Patent:** **** Apr. 8, 2003**

(54) **REHABILITATION AUXILIARY BIKE FOR WHEELCHAIR**

(75) Inventor: **Mu-Chuan Wu**, Tainan Hsien (TW)

(73) Assignee: **Tonic Fitness Technology, Inc.**, Tainan Hsien (TW)

(**) Term: **14 Years**

(21) Appl. No.: **29/164,962**

(22) Filed: **Aug. 5, 2002**

(51) **LOC (7) Cl.** **21-02**

(52) **U.S. Cl.** **D21/665**

(58) **Field of Search** D21/663, 664,
D21/665, 666, 667, 668, 669; 482/51, 57,
58, 59, 60, 61

(56) **References Cited**

U.S. PATENT DOCUMENTS

- 4,071,235 A * 1/1978 Zent 482/62
- D279,918 S * 7/1985 Stumbaugh et al. D21/665
- D283,151 S * 3/1986 Knief D21/665

- D298,845 S * 12/1988 Giger D21/665
- D305,347 S * 1/1990 Wittenbrock et al. D21/665
- D367,688 S * 3/1996 Dixon et al. D21/665
- D410,712 S * 6/1999 Giger et al. D21/665

* cited by examiner

Primary Examiner—Philip S. Hyder

(74) *Attorney, Agent, or Firm*—Bacon & Thomas, PLLC

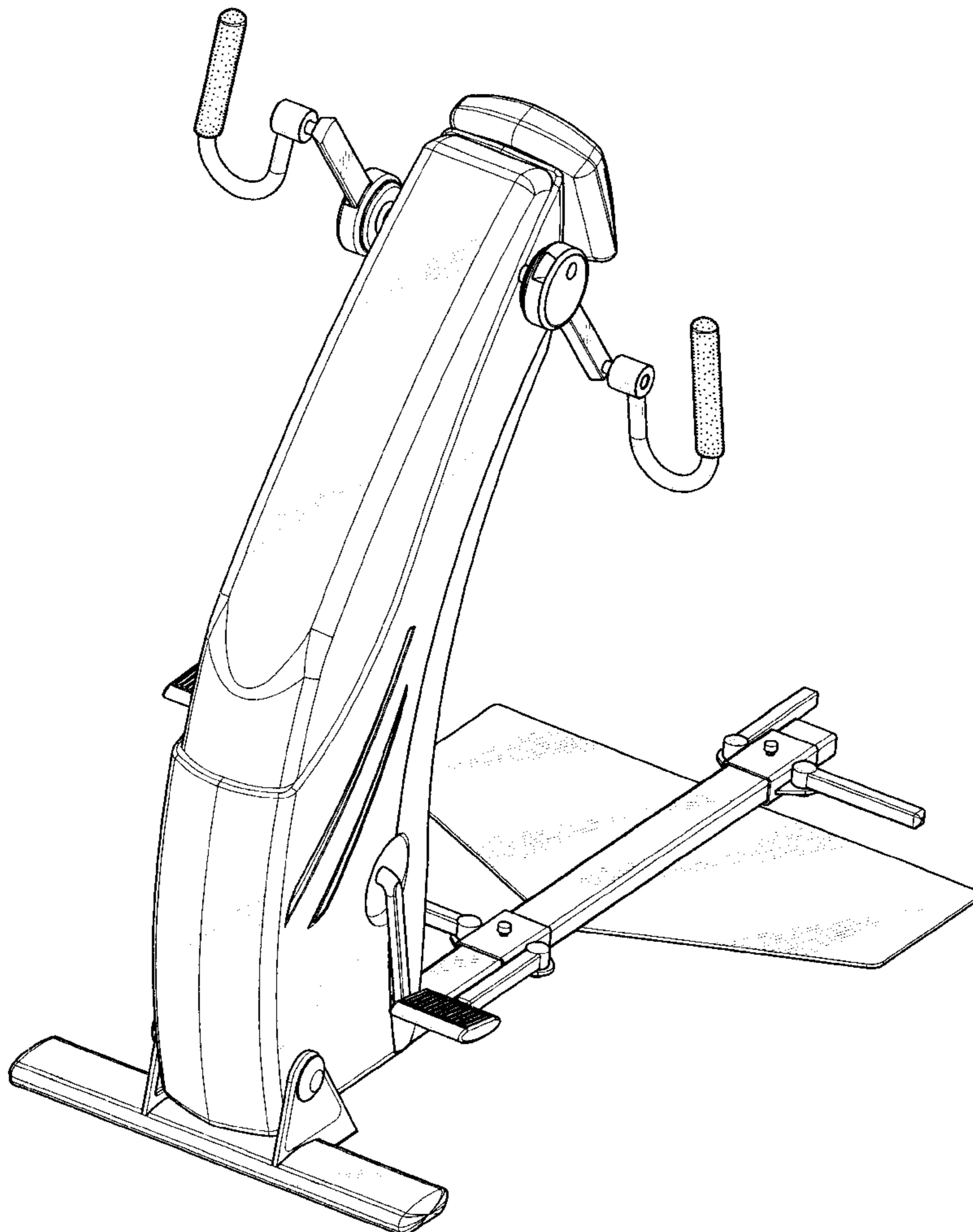
(57) **CLAIM**

The ornamental design for a rehabilitation auxiliary bike for wheelchair, as shown and described.

DESCRIPTION

FIG. 1 is a perspective view of a rehabilitation auxiliary bike for wheelchair showing my new design; FIG. 2 is a right side elevational view thereof; FIG. 3 is a top plan view thereof; FIG. 4 is a front elevational view thereof; FIG. 5 is a bottom plan view thereof; FIG. 6 is a left side elevational view thereof; and, FIG. 7 is a rear elevational view.

1 Claim, 7 Drawing Sheets



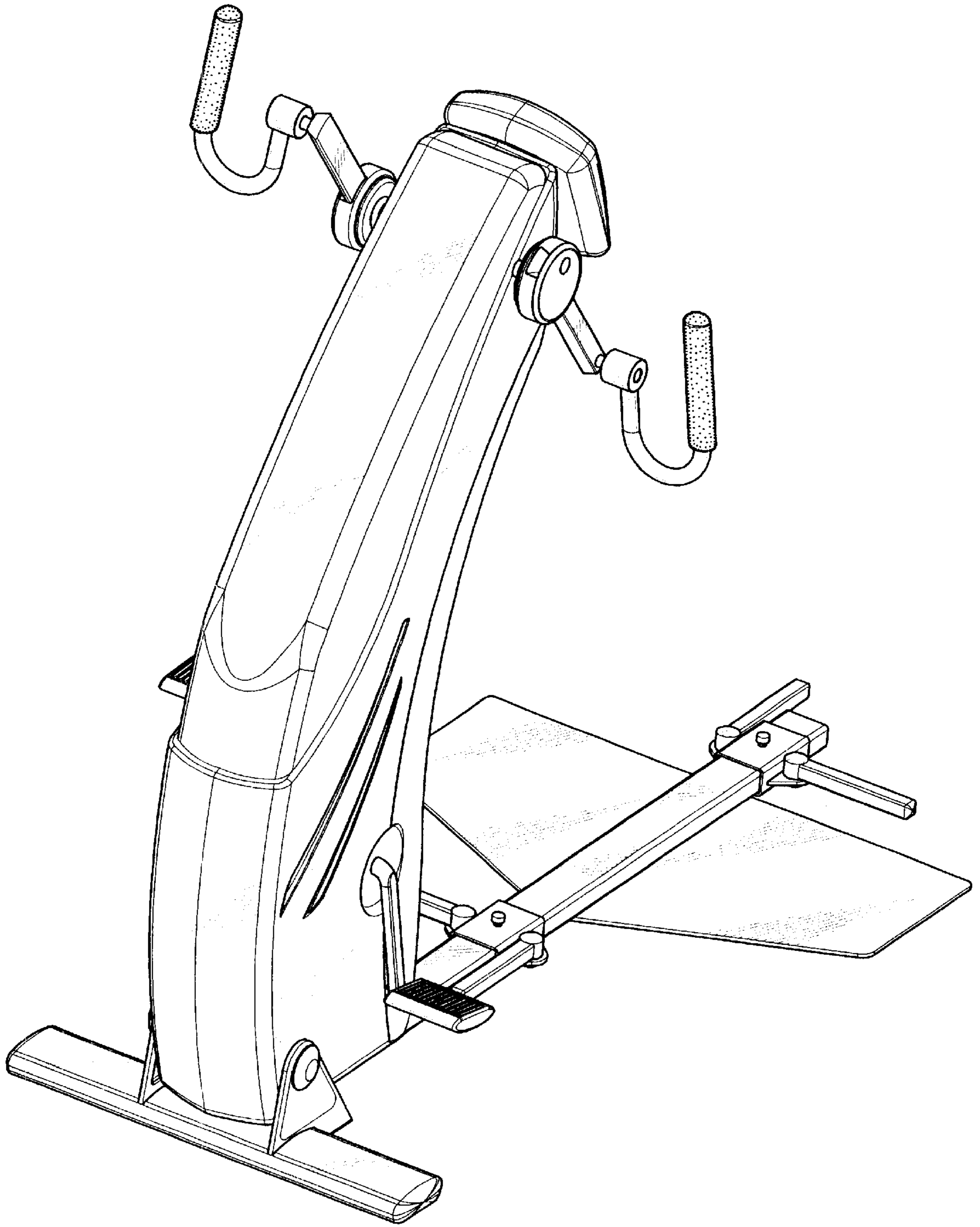


FIG. 1

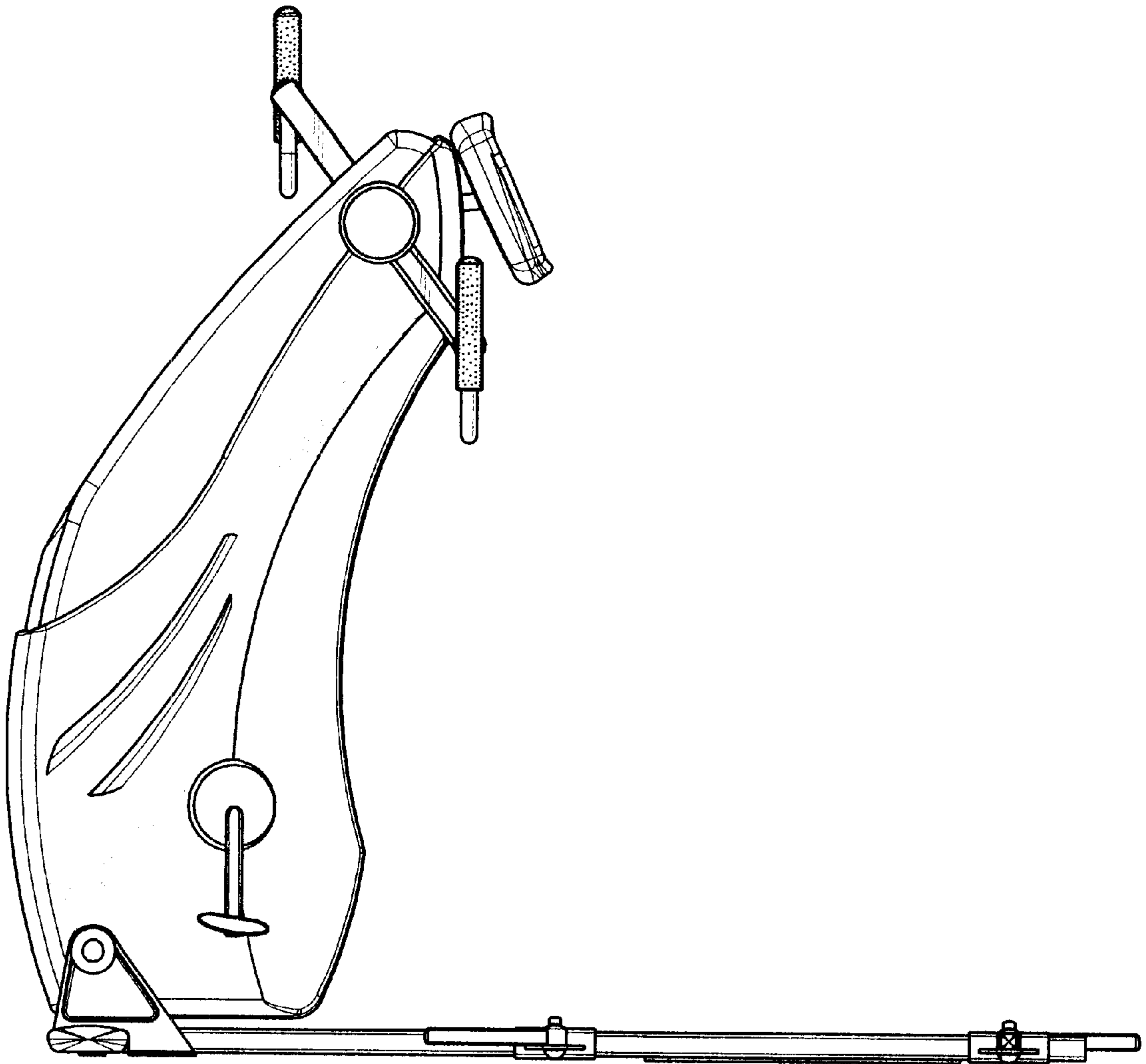


FIG. 2

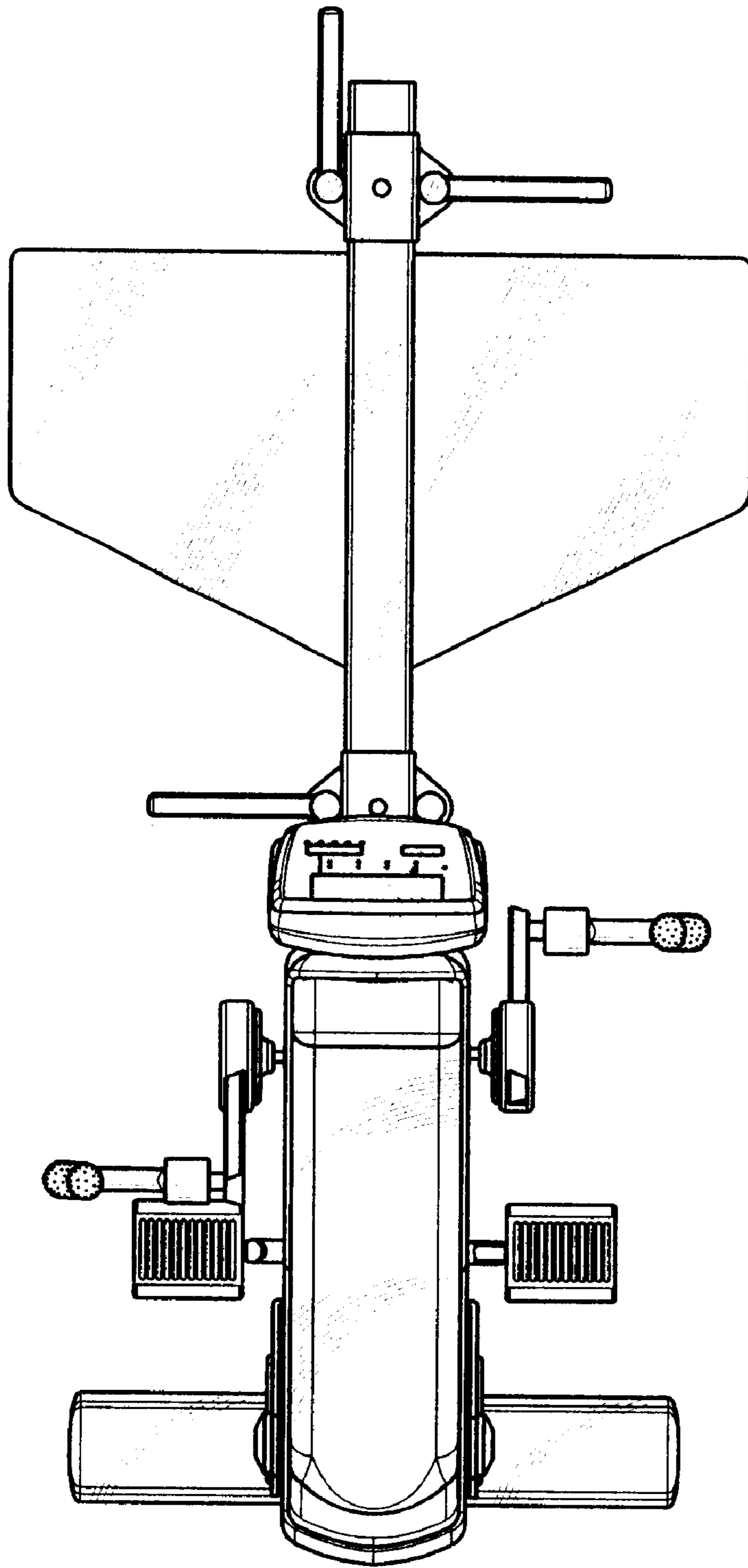


FIG. 3

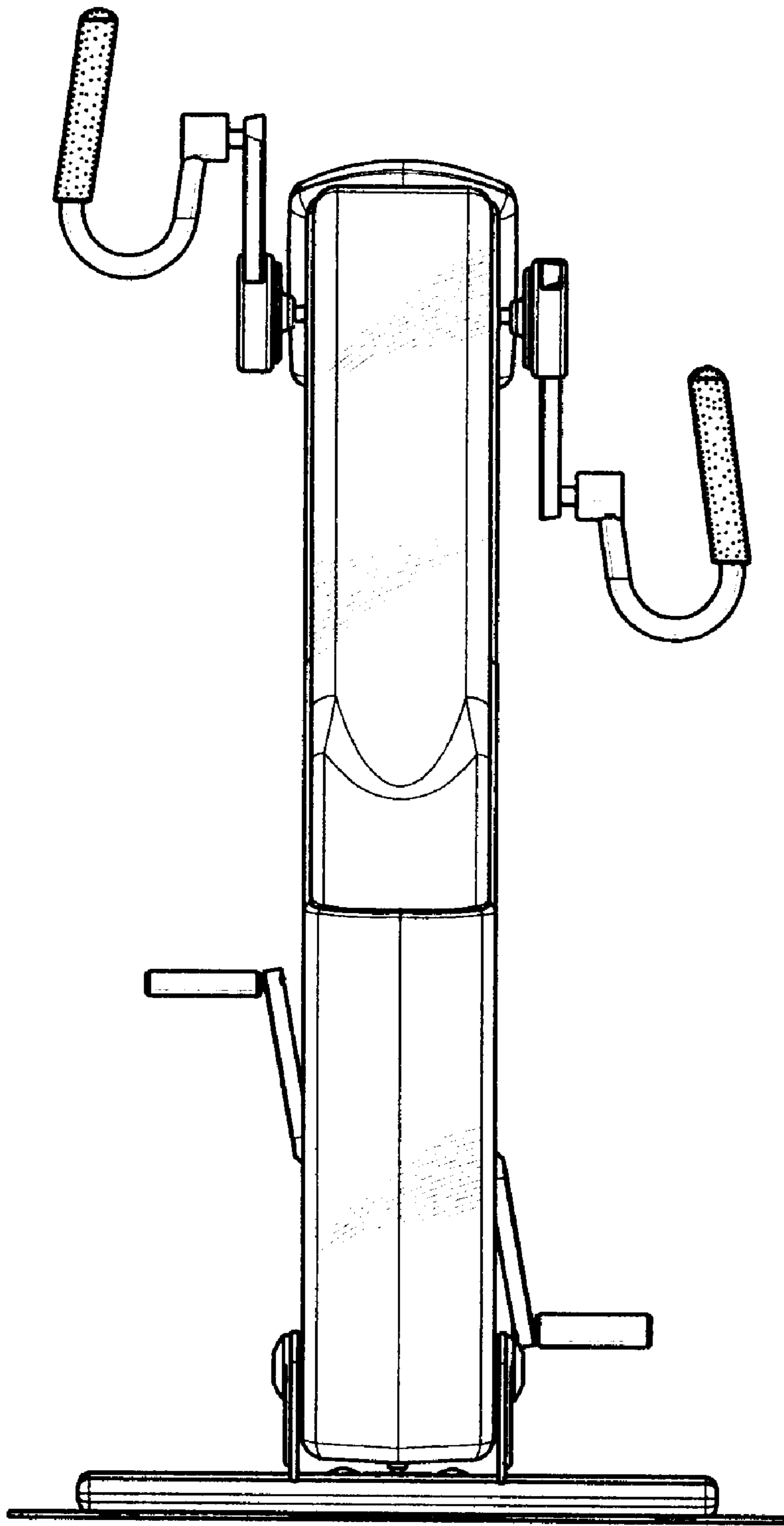


FIG. 4

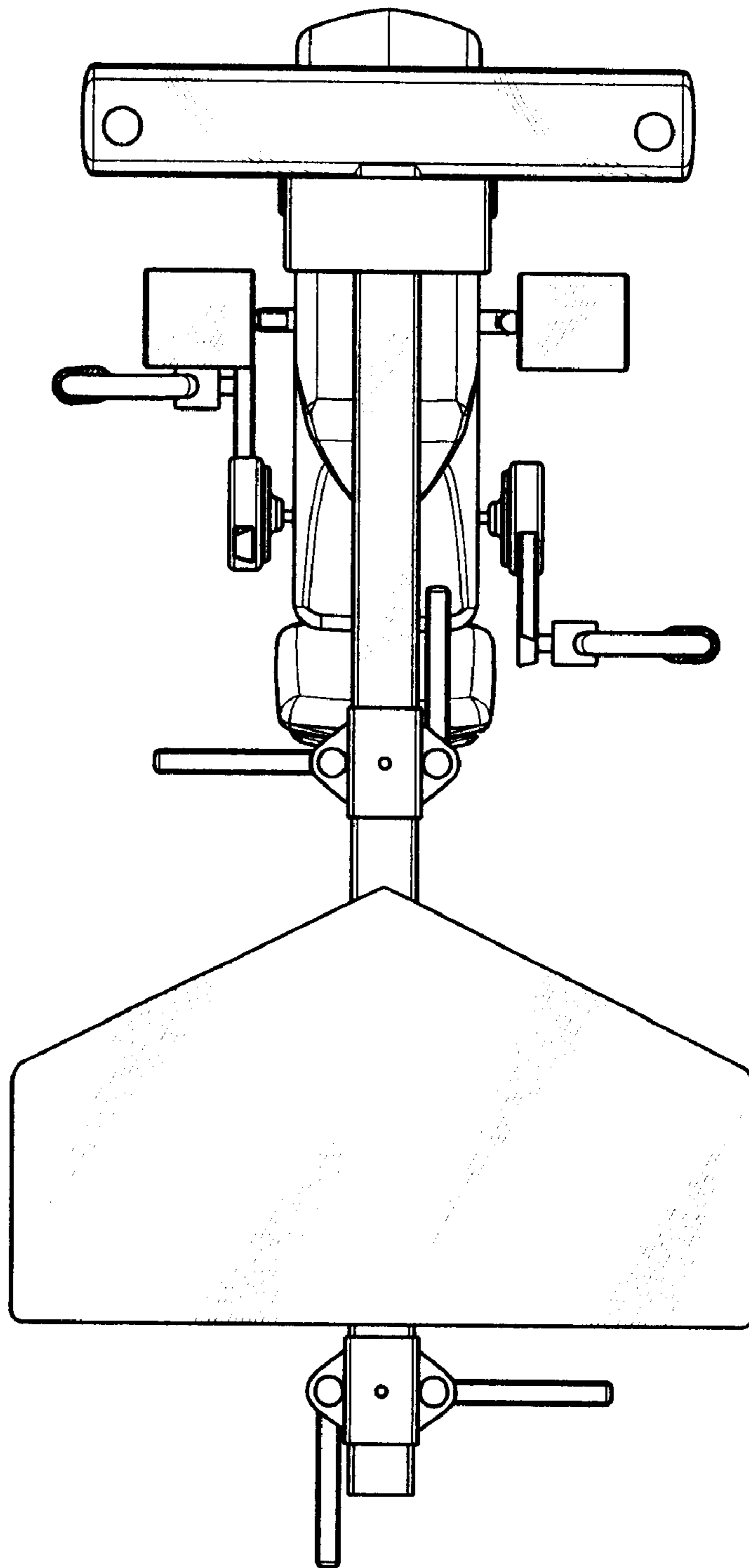


FIG. 5

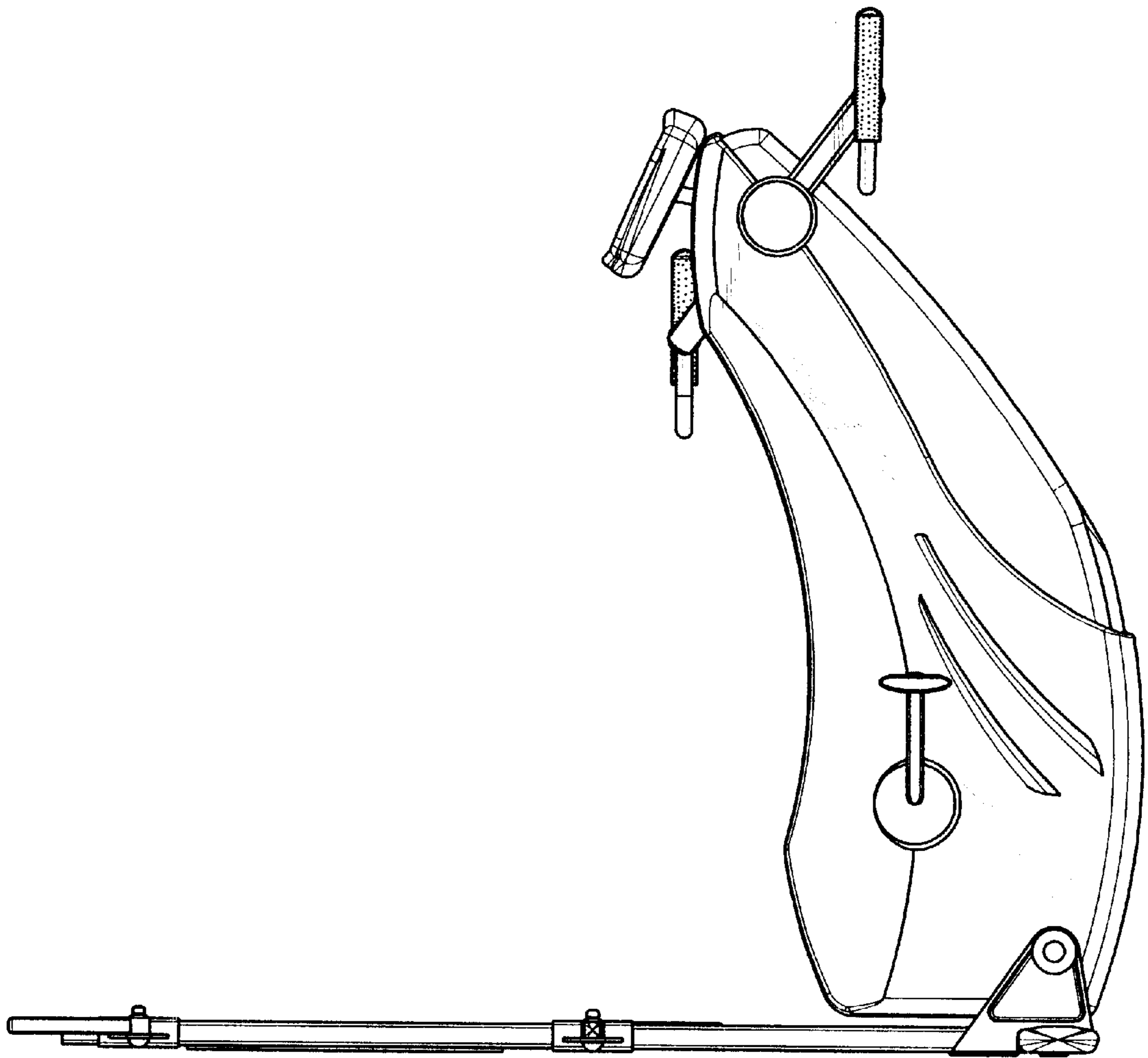


FIG. 6

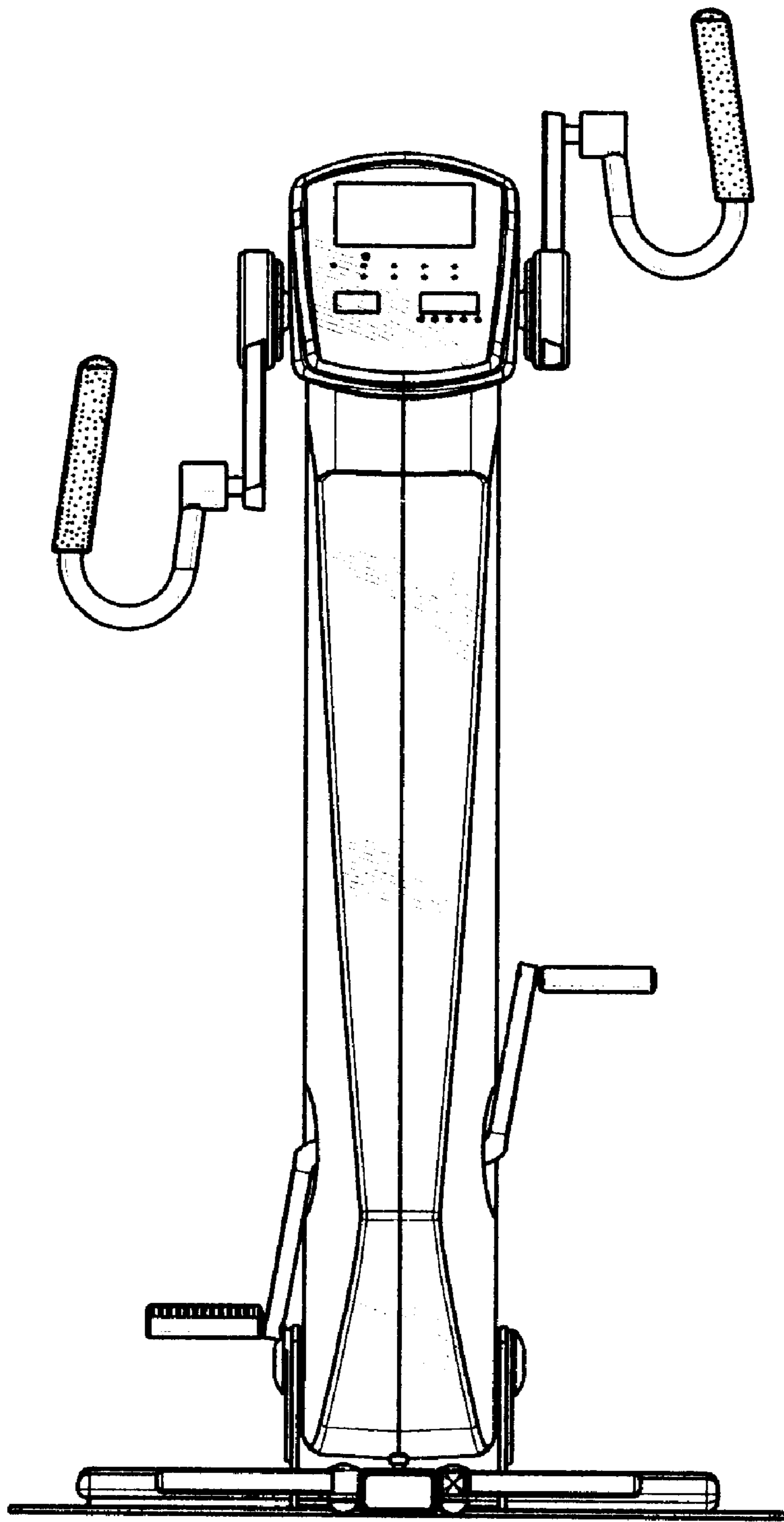


FIG. 7