



US00D472942S

(12) **United States Design Patent**
Sorensen

(10) **Patent No.:** **US D472,942 S**

(45) **Date of Patent:** **** Apr. 8, 2003**

(54) **TOY BUILDING ELEMENT**

6,250,986 B1 6/2001 Sorensen

(76) **Inventor:** **Soren Christian Sorensen, P. O. Box**
256, North Side, Grand Cayman (KY)

FOREIGN PATENT DOCUMENTS

(**) **Term:** **14 Years**

WO WO 93/04749 3/1993
WO WO 00/47302 8/2000

(21) **Appl. No.:** **29/145,913**

OTHER PUBLICATIONS

(22) **Filed:** **Jul. 30, 2001**

Kuti-City Catalog, Feb 23, 1995.*

(51) **LOC (7) Cl.** **21-01**

* cited by examiner

(52) **U.S. Cl.** **D21/503; D21/504**

Primary Examiner—Raphael Barkai

(58) **Field of Search** **D21/484-505;**
446/85, 108-117, 120-122, 124, 125, 128;
52/604, 598

(74) *Attorney, Agent, or Firm*—Edward W. Callan

(56) **References Cited**

(57) **CLAIM**

The ornamental design for a toy building element, as shown and described.

U.S. PATENT DOCUMENTS

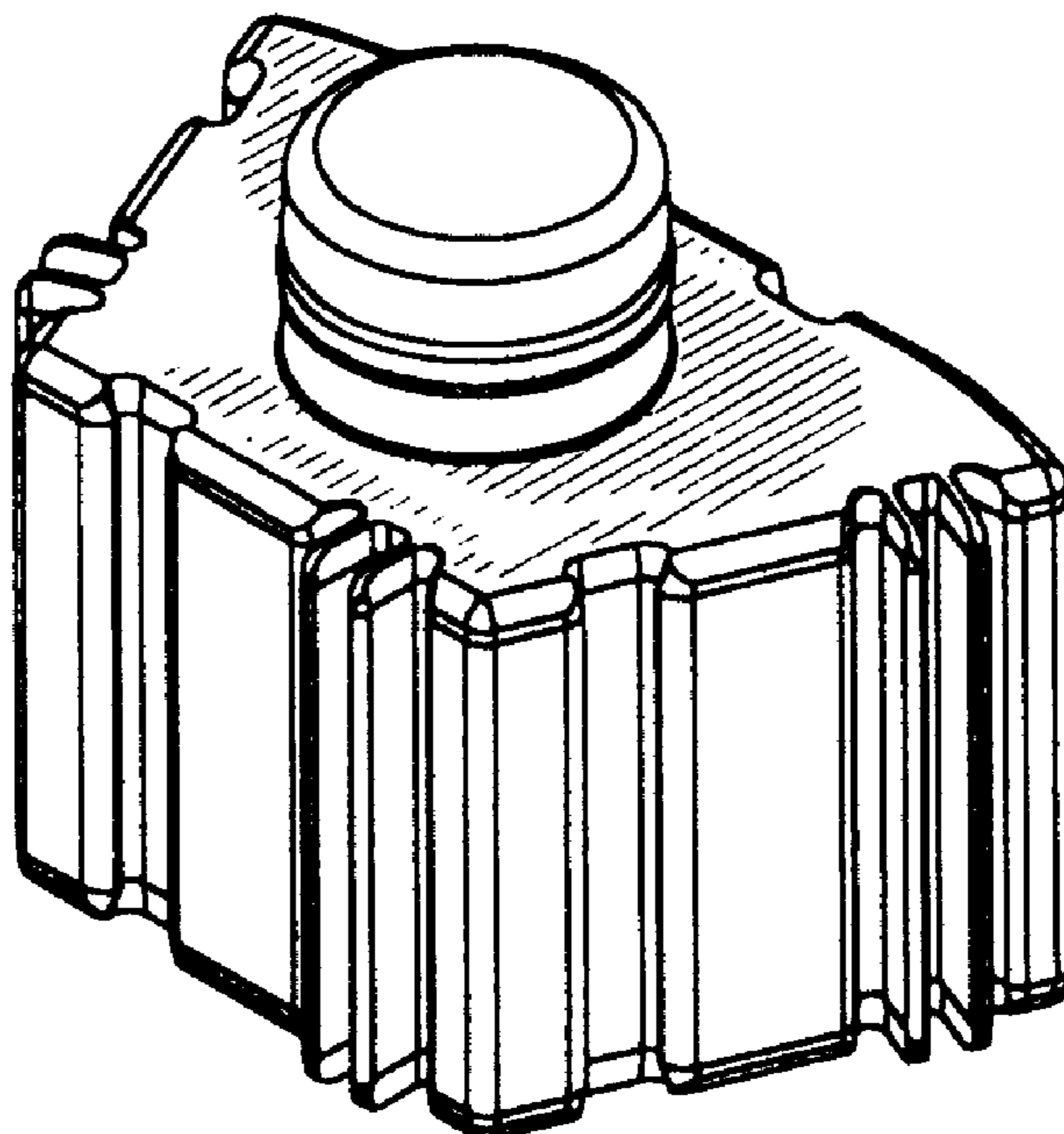
DESCRIPTION

2,132,757 A	10/1938	Paulson	
2,472,363 A	6/1949	Blackinton	
3,877,170 A *	4/1975	Baker	446/124
D238,168 S	12/1975	Ketcham	
D249,230 S *	9/1978	Van Der Veken	D21/500
D249,232 S *	9/1978	Van der Veken	D21/500
5,049,105 A *	9/1991	Glickman	446/126
5,267,863 A	12/1993	Simmons, Jr.	
D344,300 S	2/1994	Knudsen	
D354,319 S *	1/1995	Wilson	D21/503
5,471,808 A *	12/1995	De Pieri	446/128
5,493,816 A *	2/1996	Willemsen	52/604
D368,939 S	4/1996	Frederiksen	
D370,503 S *	6/1996	Burns	D21/500
5,653,621 A	8/1997	Yao	
5,848,927 A *	12/1998	Frederiksen	446/128
D403,721 S *	1/1999	Bean	D21/499
D430,231 S *	8/2000	Sorensen	D21/500
D435,609 S *	12/2000	Sorensen	D21/499
D437,895 S *	2/2001	Sorensen	D21/504

It is intended that the toy building element of the present invention be used in a set of toy building elements that are capable of being interconnected in a releasable engageent. FIG. 1 is a top perspective view of the toy building element. FIG. 2 is a top view of the toy building element shown in FIG. 1. FIG. 3 is a front view of the toy building element shown in FIG. 1. FIG. 4 is a left side view of the toy building element shown in FIG. 1. FIG. 5 is a right side view of the toy building element shown in FIG. 1; and, FIG. 6 is a back view of the toy building element shown in FIG. 1.

The bottom view of the toy building element shown in FIG. 1 does not form part of the claimed design.

1 Claim, 1 Drawing Sheet



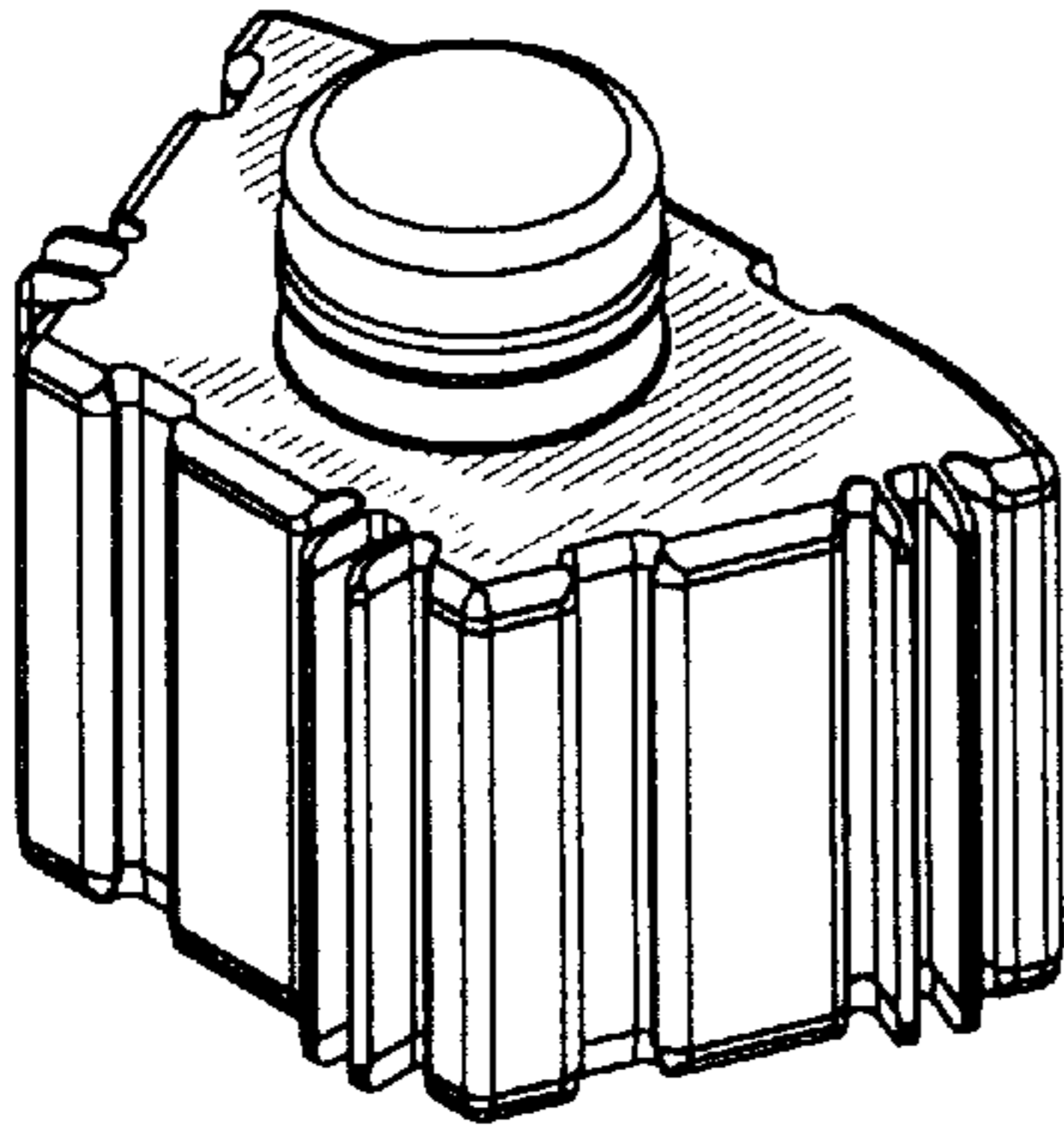


FIG. 1

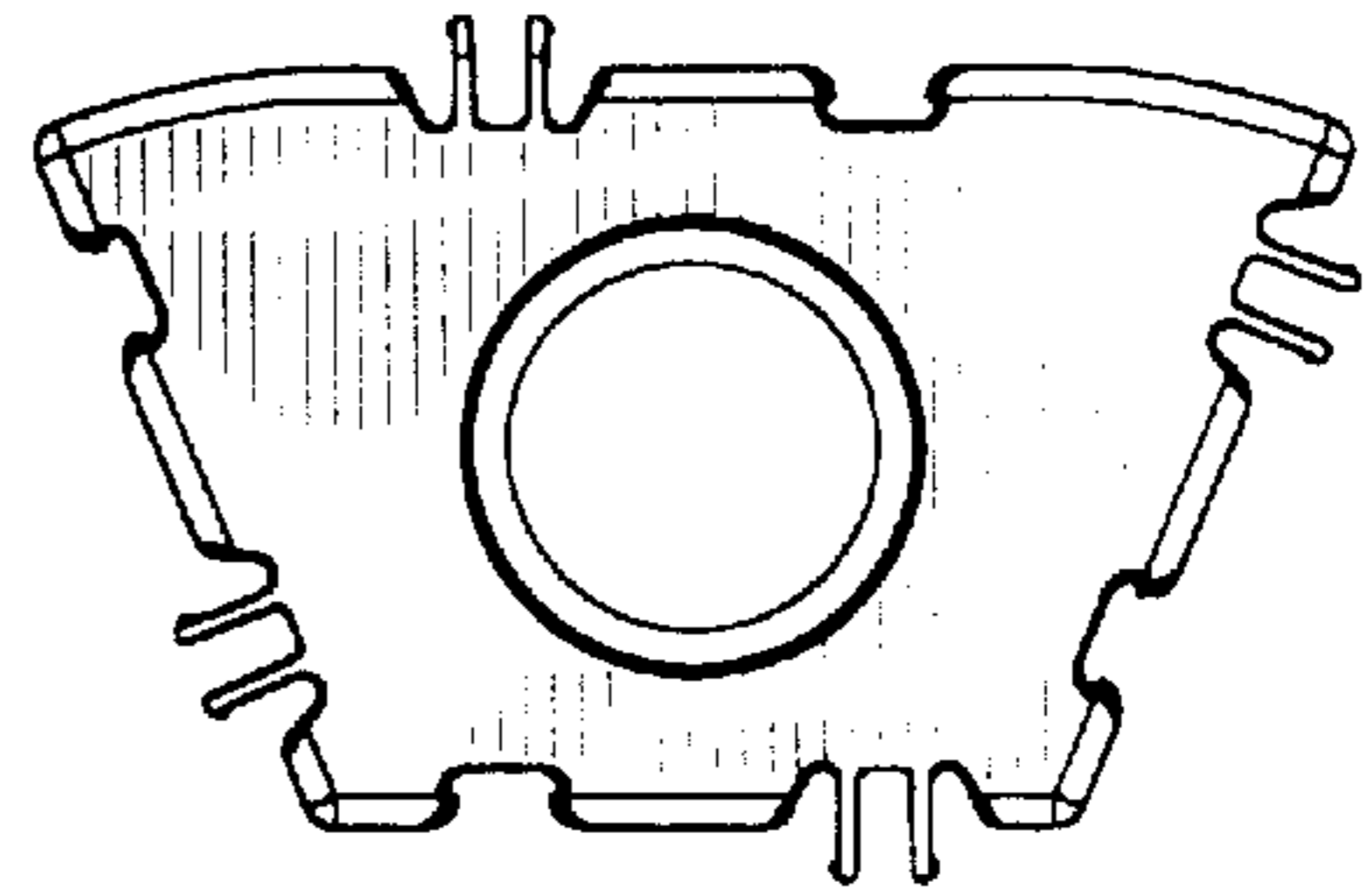


FIG. 2

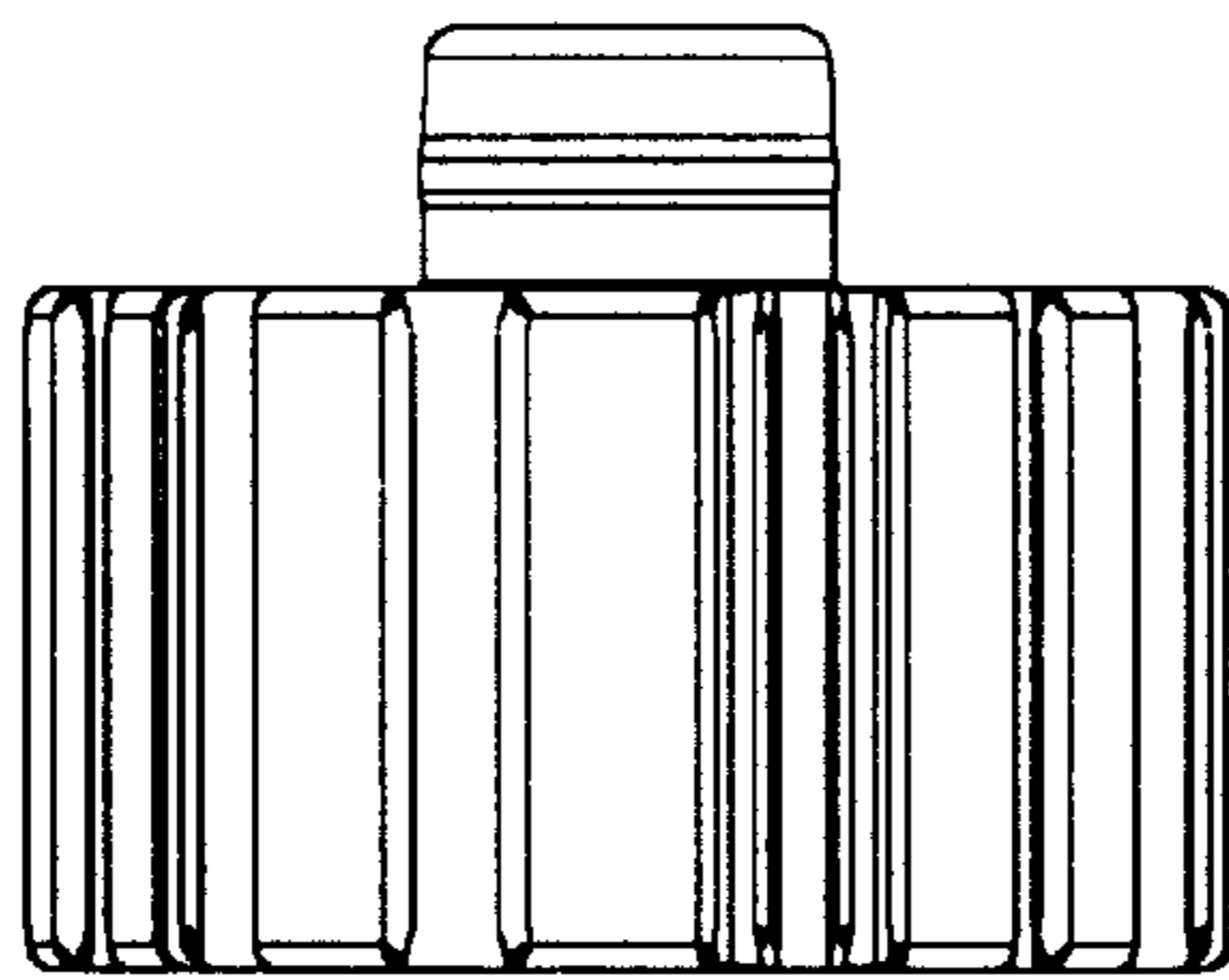


FIG. 3

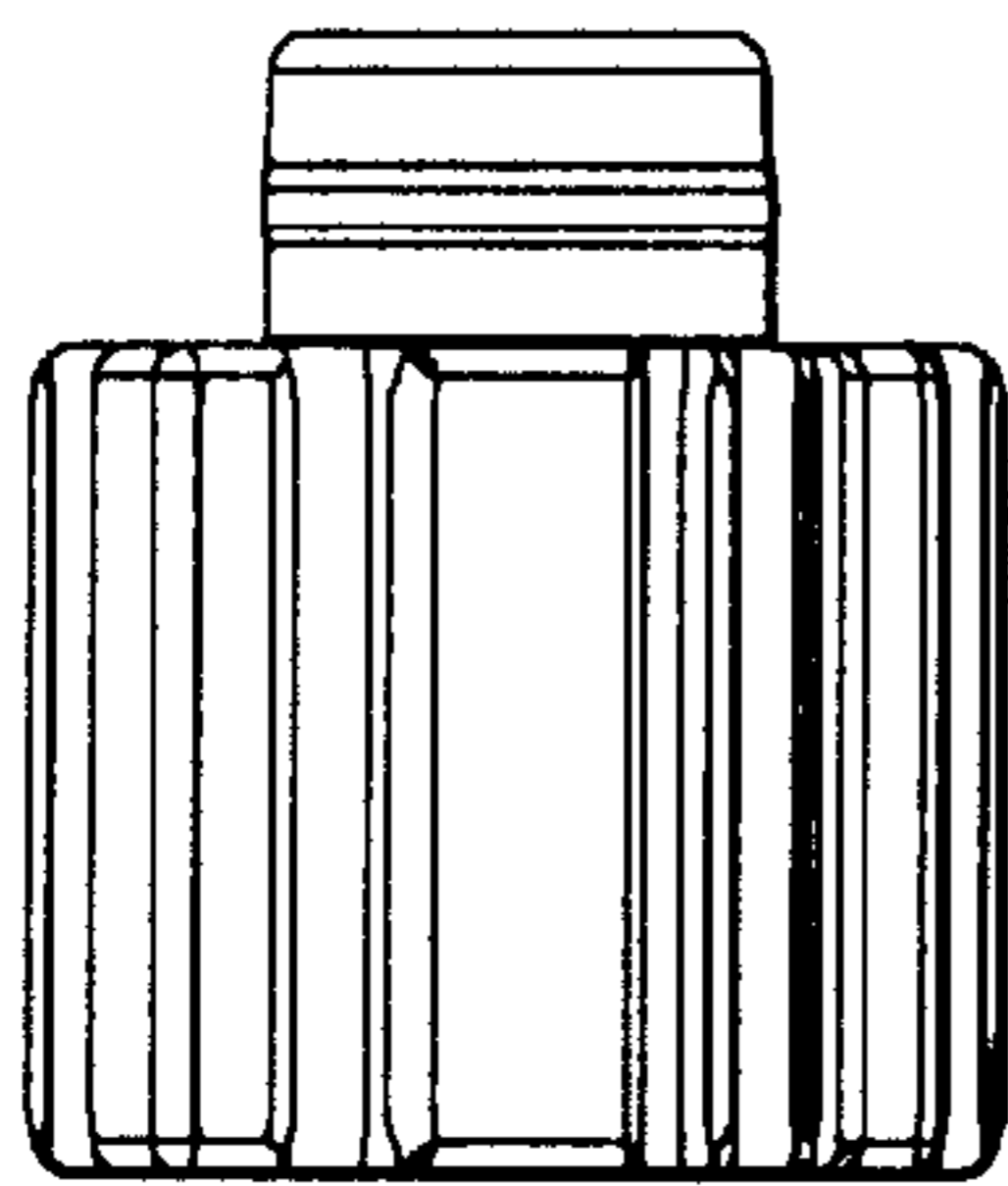


FIG. 4

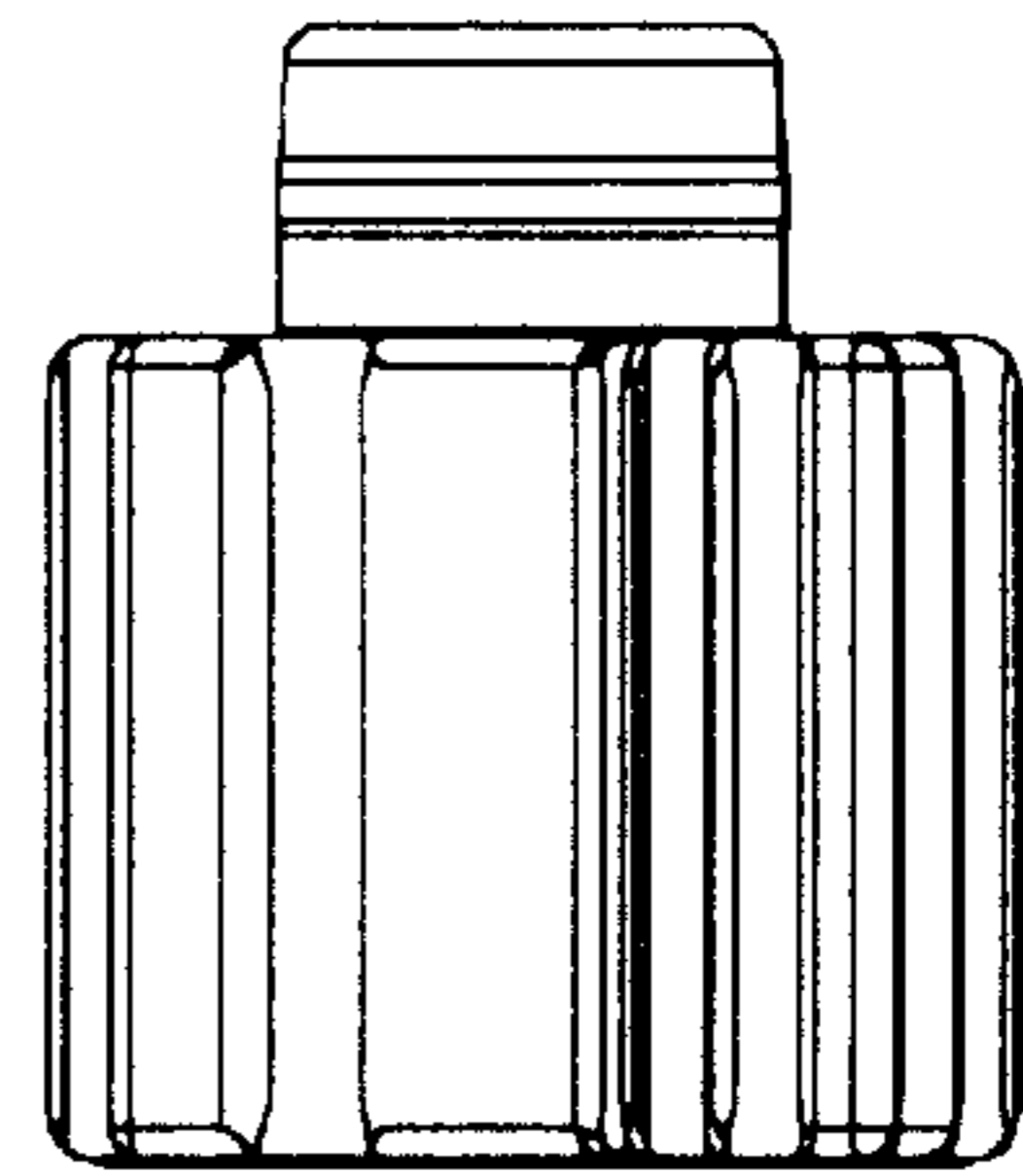


FIG. 5

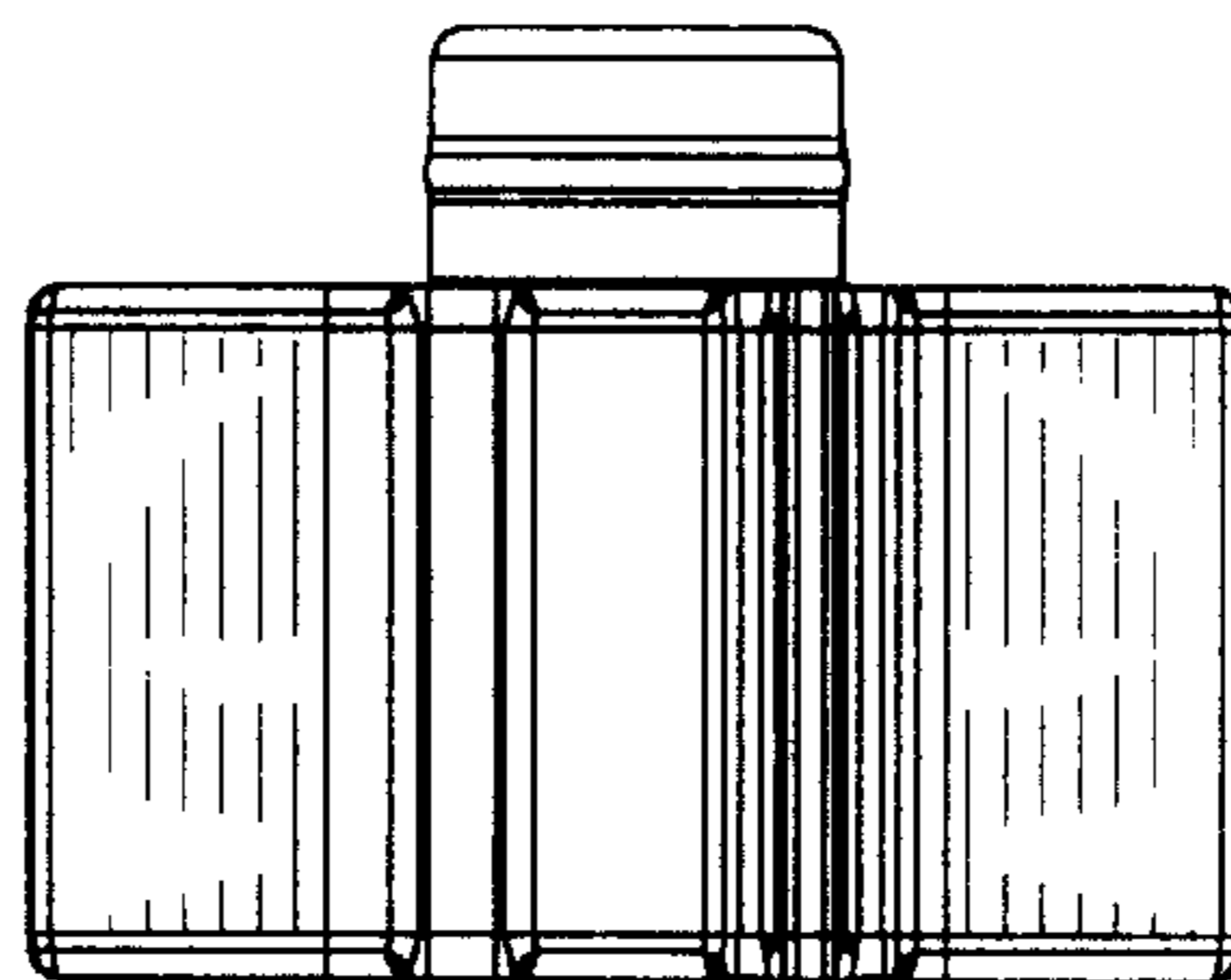


FIG. 6