



US00D472940S

(12) **United States Design Patent**
Horikoshi

(10) **Patent No.:** **US D472,940 S**

(45) **Date of Patent:** **** Apr. 8, 2003**

(54) **TOY CARD MOUNTING STRUCTURE FOR GAME PLAY**

(75) Inventor: **Kenji Horikoshi**, Tokyo (JP)

(73) Assignee: **Takara Co., Ltd.**, Tokyo (JP)

(**) Term: **14 Years**

(21) Appl. No.: **29/152,941**

(22) Filed: **Dec. 28, 2001**

(30) **Foreign Application Priority Data**

Jul. 2, 2001 (JP) 2001-019315

(51) **LOC (7) Cl.** **21-01**

(52) **U.S. Cl.** **D21/392**

(58) **Field of Search** D21/334-368,
D21/385, 386, 392, 393, 396; 273/236-288,
148 R

(56) **References Cited**

U.S. PATENT DOCUMENTS

| | | | | | |
|-------------|---|---------|------------------|-------|---------|
| 2,391,520 A | * | 12/1945 | Smith | | 273/271 |
| 2,918,287 A | * | 12/1959 | Rosenblum et al. | | 273/273 |
| 4,078,804 A | * | 3/1978 | Coster et al. | | 273/236 |
| 4,497,491 A | * | 2/1985 | Holman | | 273/271 |
| 4,607,847 A | * | 8/1986 | Chung | | 273/264 |
| 5,069,459 A | * | 12/1991 | Zarnoti | | 273/241 |

5,211,403 A * 5/1993 Ostrander 273/288

5,497,997 A * 3/1996 Nikas et al. 273/264

D368,495 S * 4/1996 Rypinski D21/362

5,676,376 A * 10/1997 Valley 273/148 R

D446,255 S * 8/2001 Kupperman D21/386

* cited by examiner

Primary Examiner—Sandra L. Morris

(57) **CLAIM**

I claim the ornamental design for a toy card mounting structure for game play, substantially as shown and described.

DESCRIPTION

FIG. 1 is a front view of the toy card mounting structure for game play, showing my new design;

FIG. 2 is a rear view;

FIG. 3 is a right side view;

FIG. 4 is a left side view;

FIG. 5 is a top view;

FIG. 6 is a bottom view;

FIG. 7 is a perspective bottom view;

FIG. 8 is a bottom perspective view thereof; and,

FIG. 9 is a top perspective view thereof.

The broken line showing of the weights and card in FIGS. 8 and 9 is for illustrative purposes only, and forms no part of the claimed design.

1 Claim, 4 Drawing Sheets

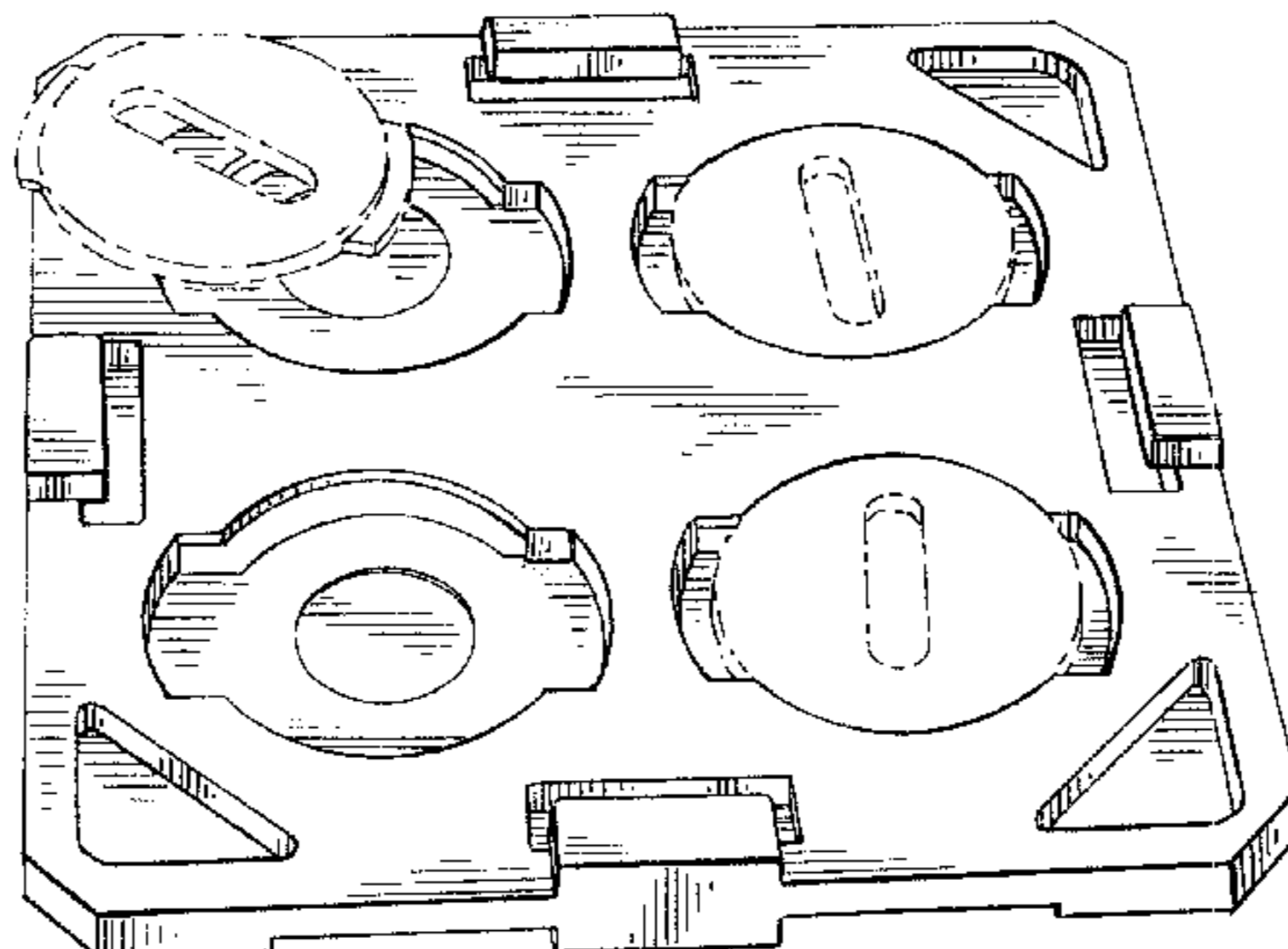
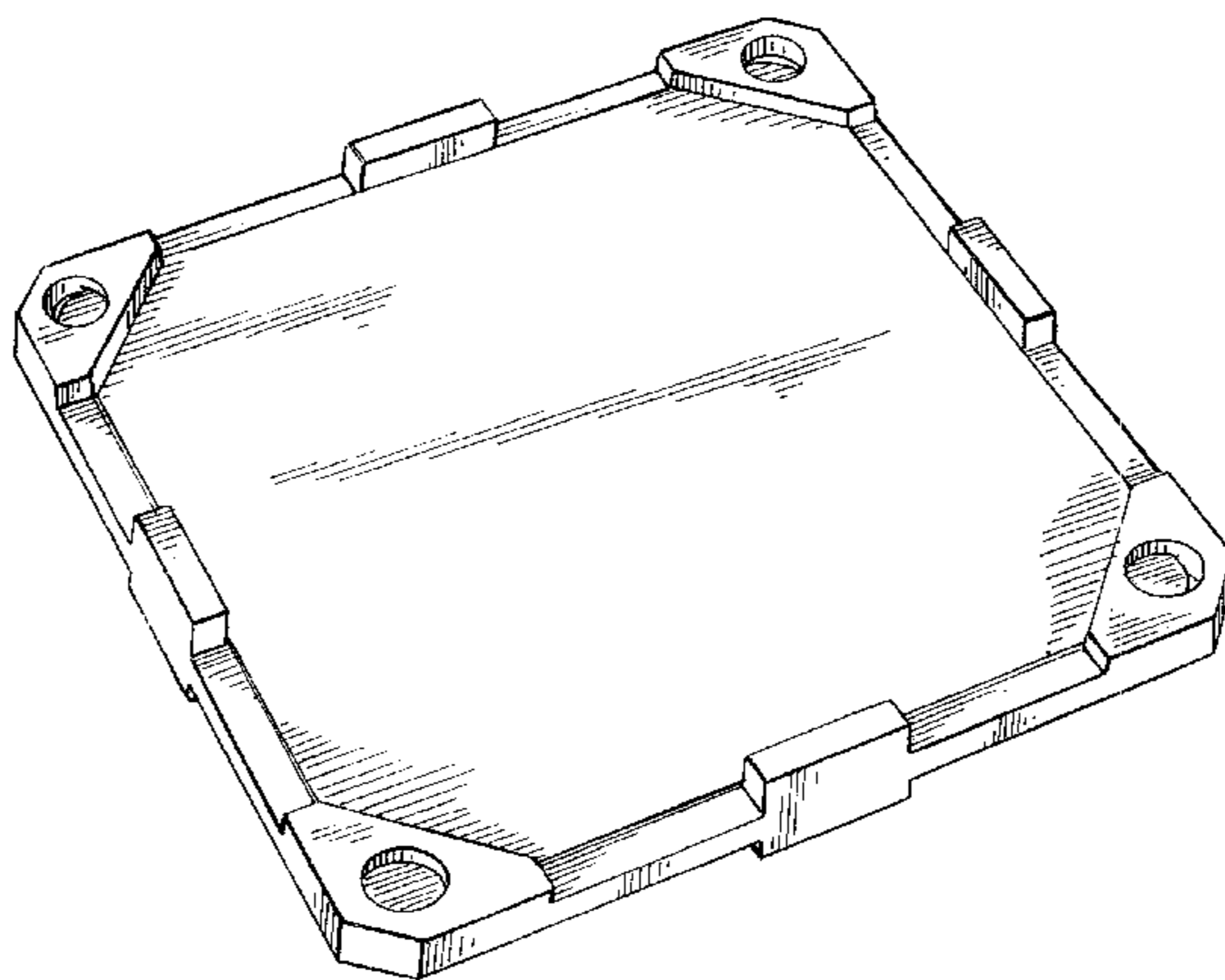


FIG. 1

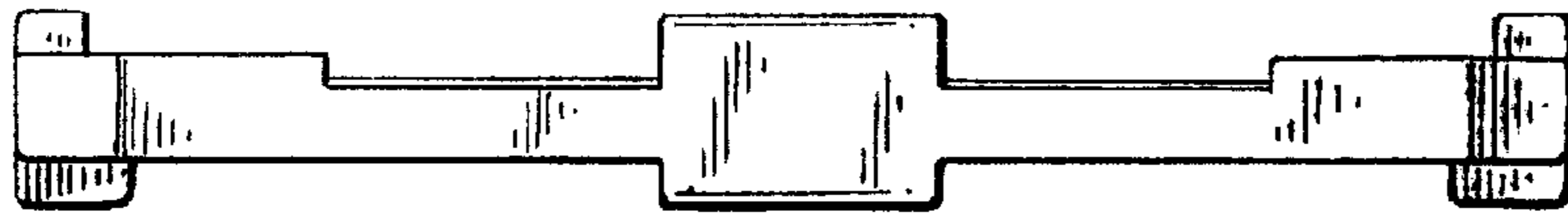


FIG. 2

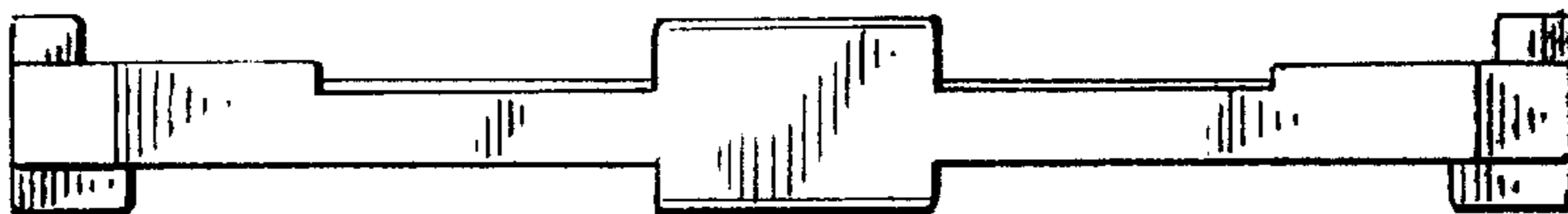


FIG. 3

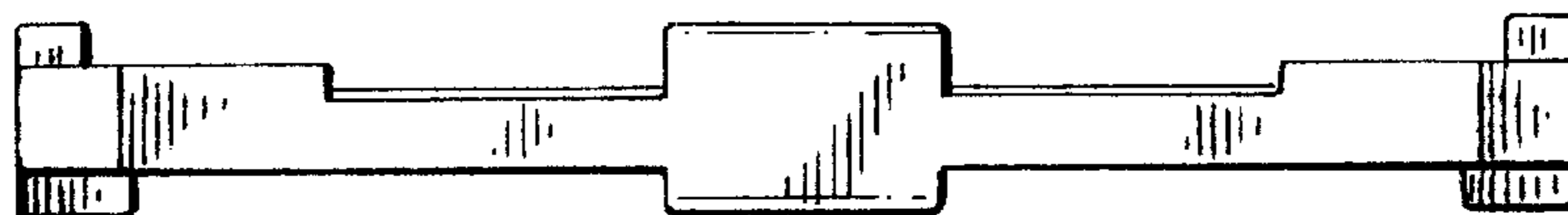


FIG. 4



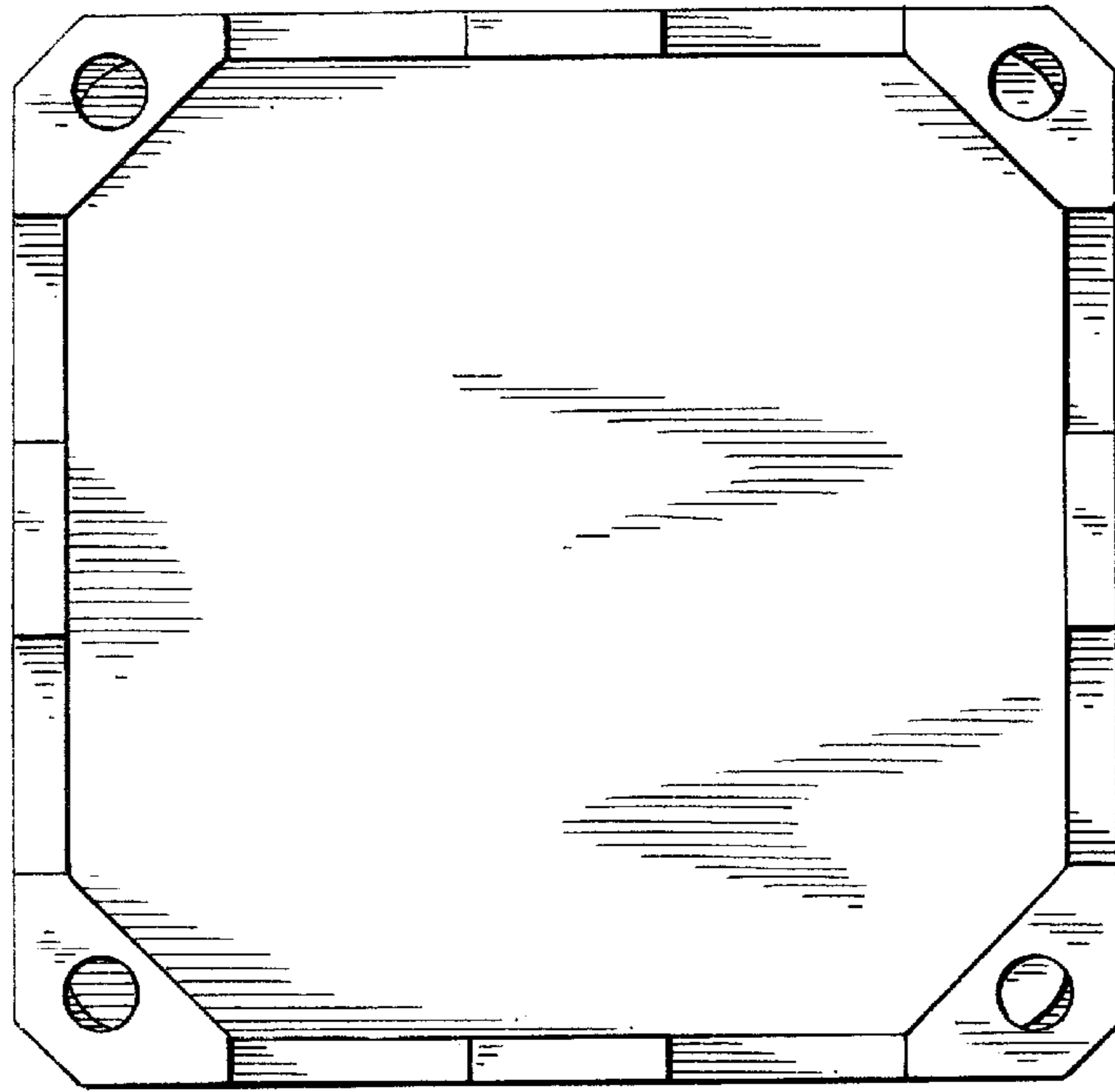


FIG. 5

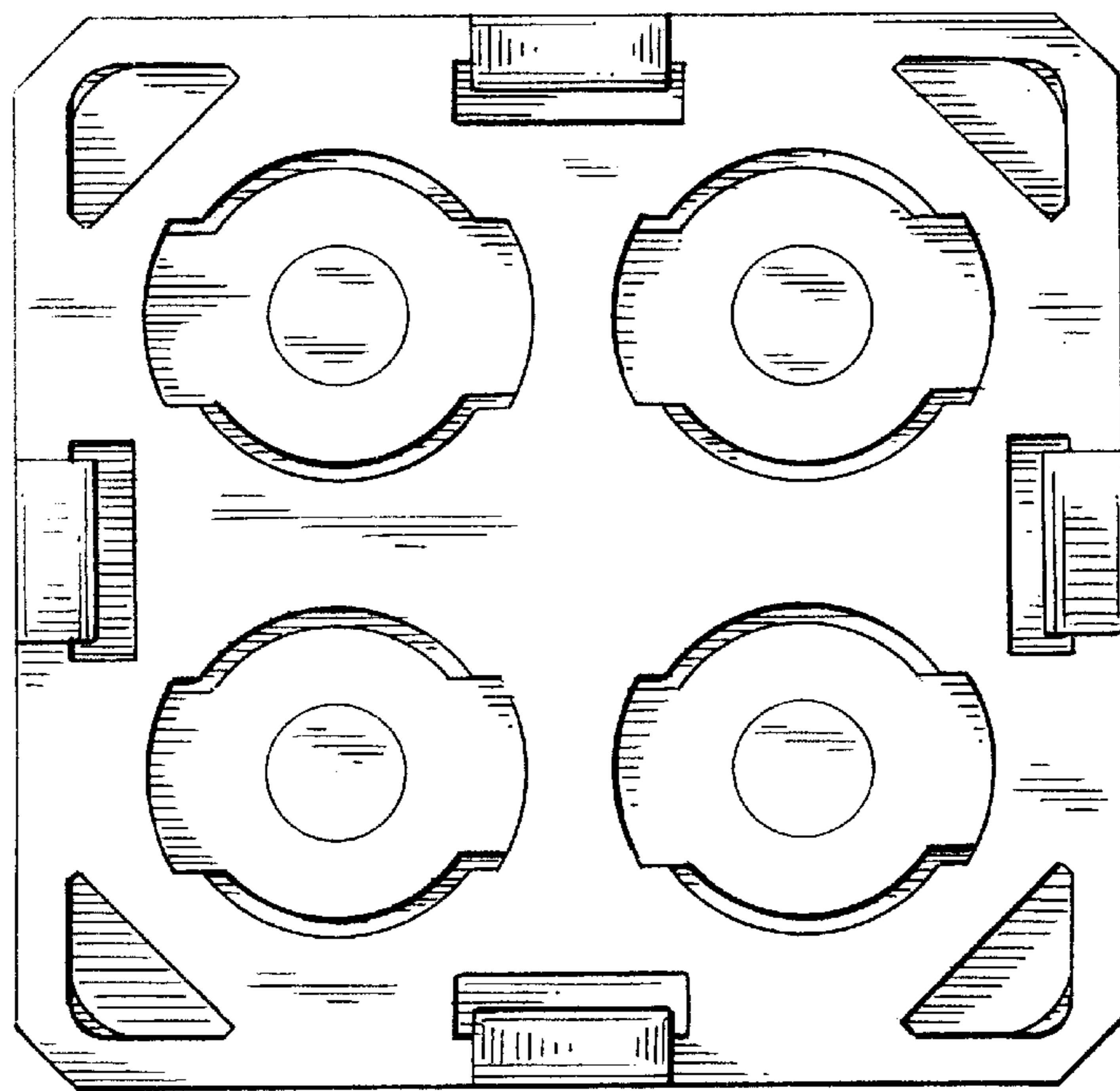


FIG. 6

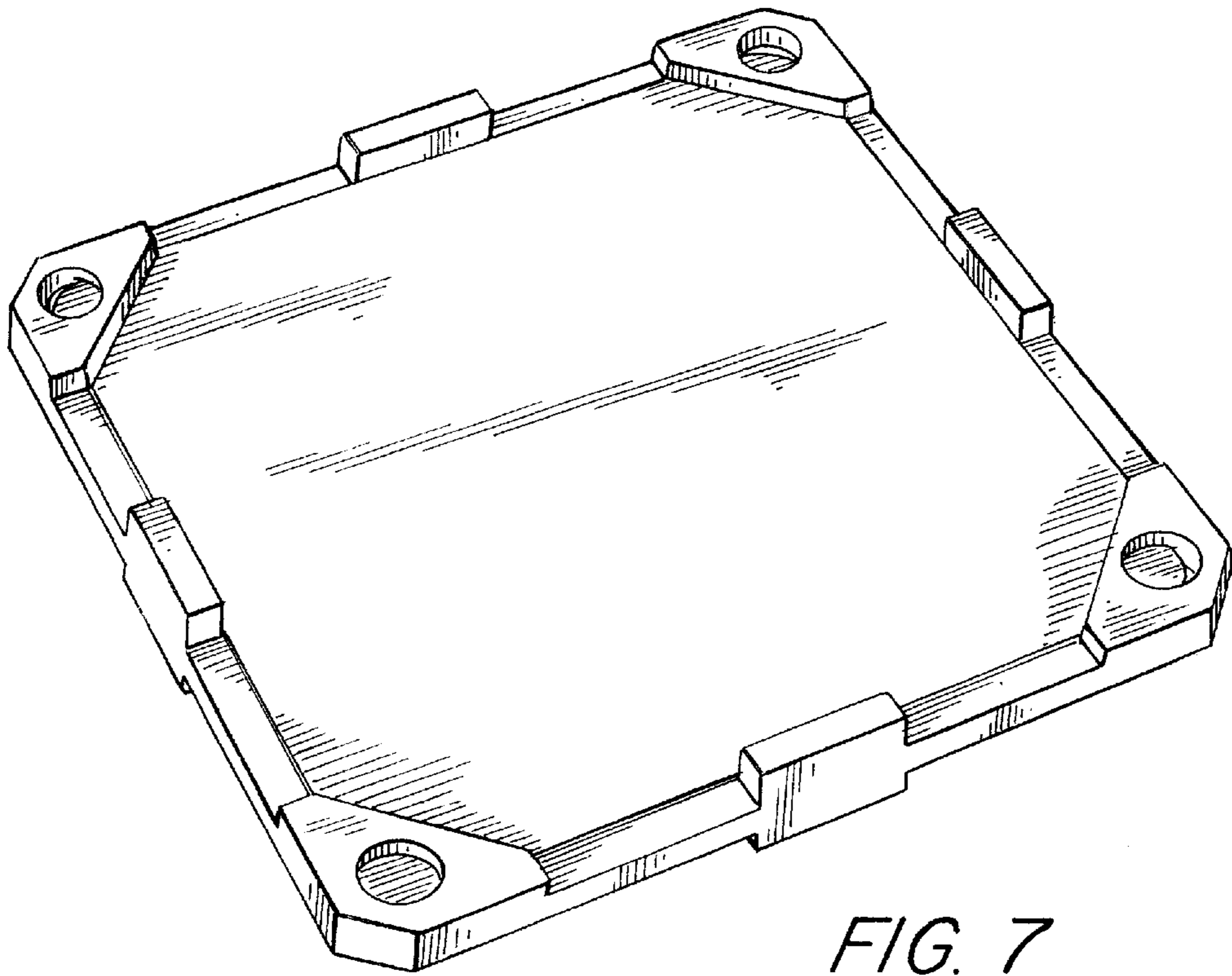


FIG. 7

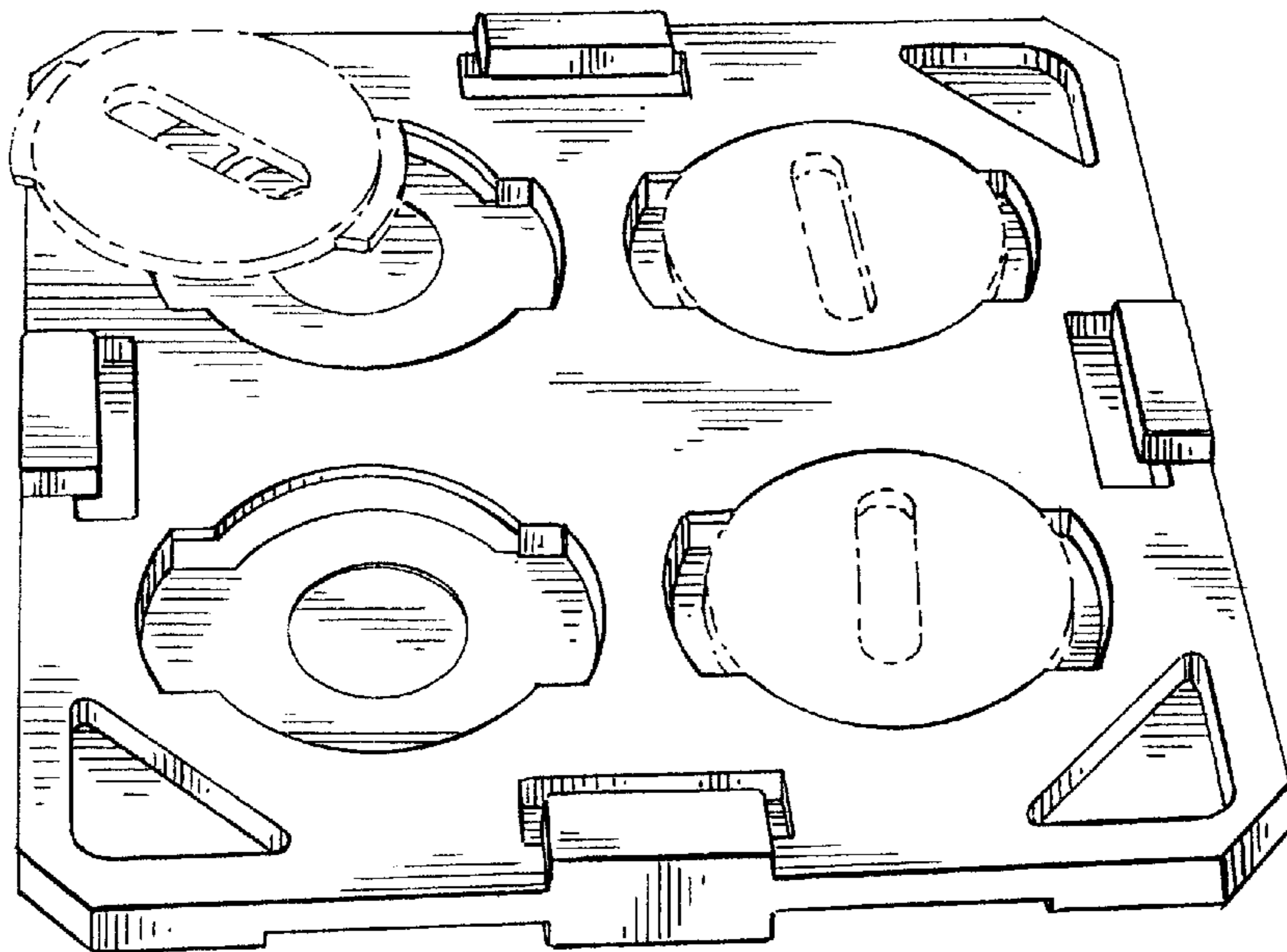


FIG. 8

FIG. 9

