



US00D472937S

(12) **United States Design Patent**
Chang

(10) **Patent No.:** **US D472,937 S**

(45) **Date of Patent:** **** Apr. 8, 2003**

(54) **DEVICE FOR ILLUMINATING PALM-TOP TV GAME**

(76) **Inventor:** **Chih Chao Chang**, F1. 8, No. 118,
Sec. 5, Nanking E. Rd., Taipei (TW)

(**) **Term:** **14 Years**

(21) **Appl. No.:** **29/164,916**

(22) **Filed:** **Aug. 2, 2002**

(51) **LOC (7) Cl.** **21-01**

(52) **U.S. Cl.** **D21/333**

(58) **Field of Search** D21/324-333,
D21/369, 385; 273/148 B, 148 A, 454;
463/46, 47, 1, 16-22, 49; 345/905, 156;
D26/24, 26, 51, 52, 72; 362/109, 97, 98,
101, 21, 217

(56) **References Cited**

U.S. PATENT DOCUMENTS

4,589,659	A	*	5/1986	Yu et al.	463/34
4,756,528	A	*	7/1988	Umashankar	463/1
5,130,907	A	*	7/1992	Tortola et al.	362/109
5,217,295	A	*	6/1993	Tortola et al.	273/148 B
5,325,280	A	*	6/1994	Tortola et al.	363/23

D416,948	S	*	11/1999	Soga	D21/333
D426,860	S	*	6/2000	Ho	D21/333
D458,644	S	*	6/2002	Yu	D21/333
D460,495	S	*	7/2002	Naghi et al.	D21/333
D461,509	S	*	8/2002	Yu	D21/333
D462,395	S	*	9/2002	Hussaini et al.	D21/333

* cited by examiner

Primary Examiner—Prabhakar Deshmukh

(74) *Attorney, Agent, or Firm*—W. Wayne Liauh

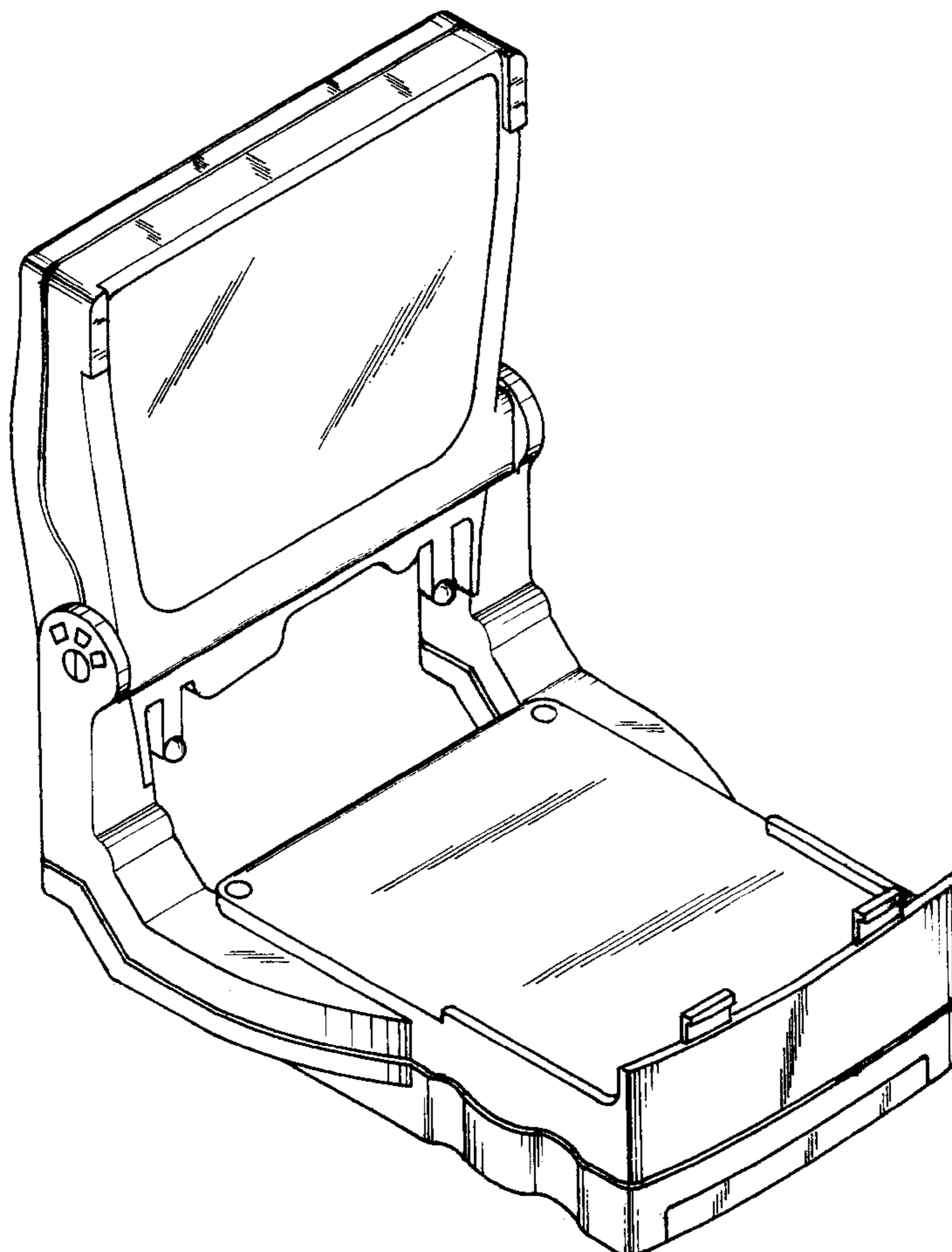
(57) **CLAIM**

The ornamental design for a device for illuminating palm-top TV game, as shown and described.

DESCRIPTION

FIG. 1 is a perspective view of the device for illuminating palm-top TV game showing my design;
FIG. 2 is a front view thereof;
FIG. 3 is a rear view thereof;
FIG. 4 is a left side view thereof;
FIG. 5 is a right side view thereof;
FIG. 6 is a top plan view thereof; and,
FIG. 7 is a bottom plan view thereof.

1 Claim, 4 Drawing Sheets



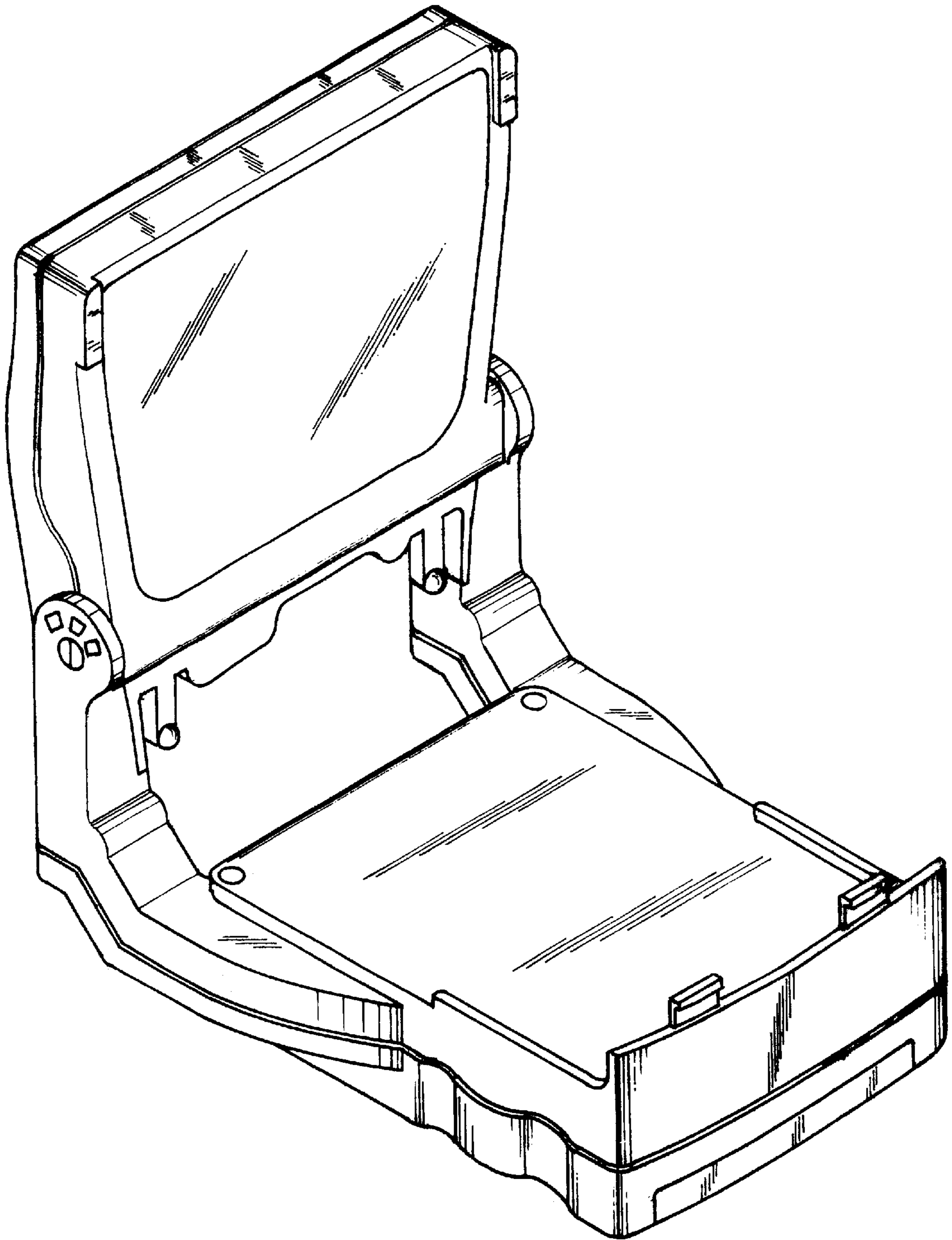


FIG. 1

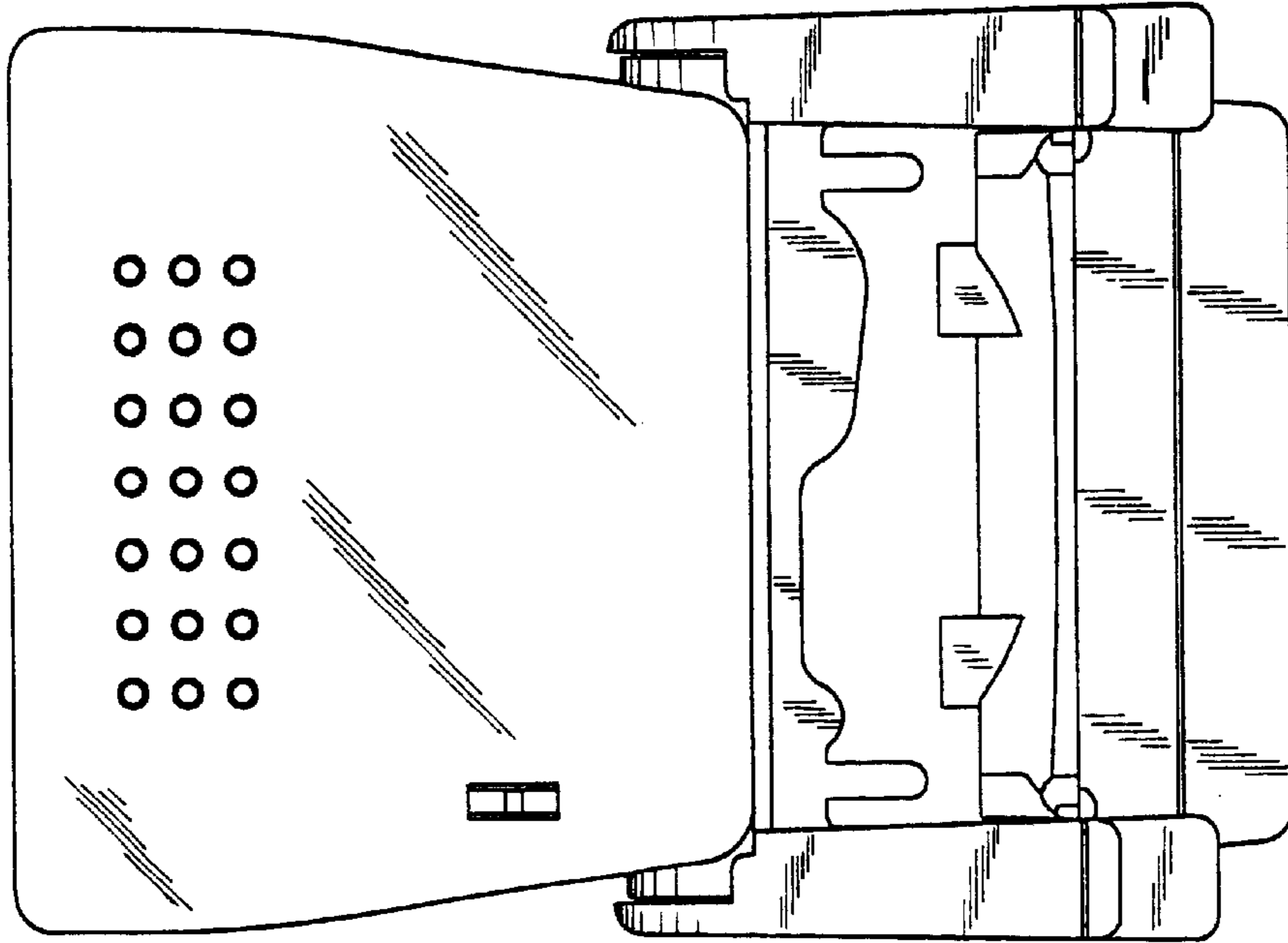


FIG. 3

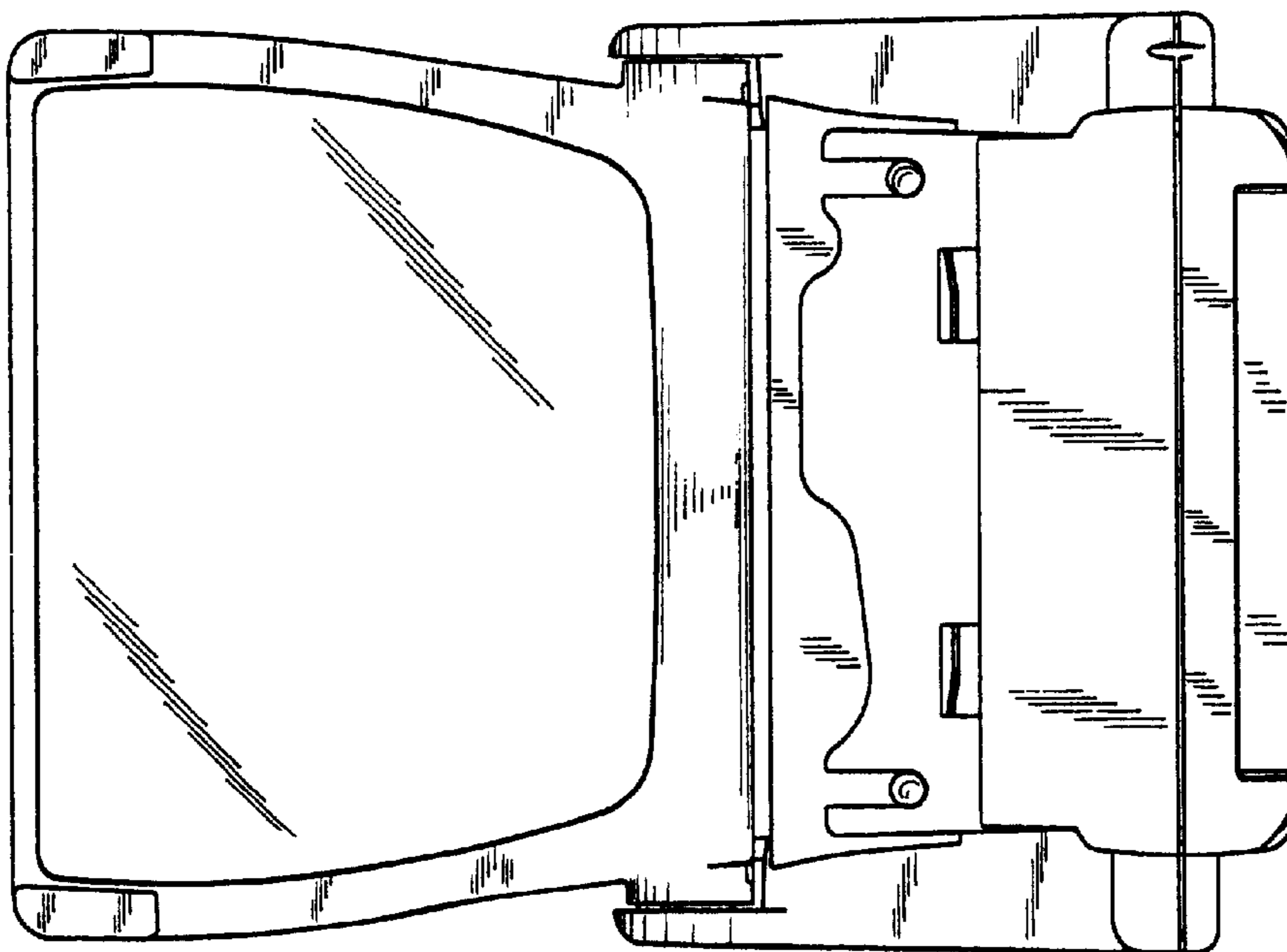


FIG. 2

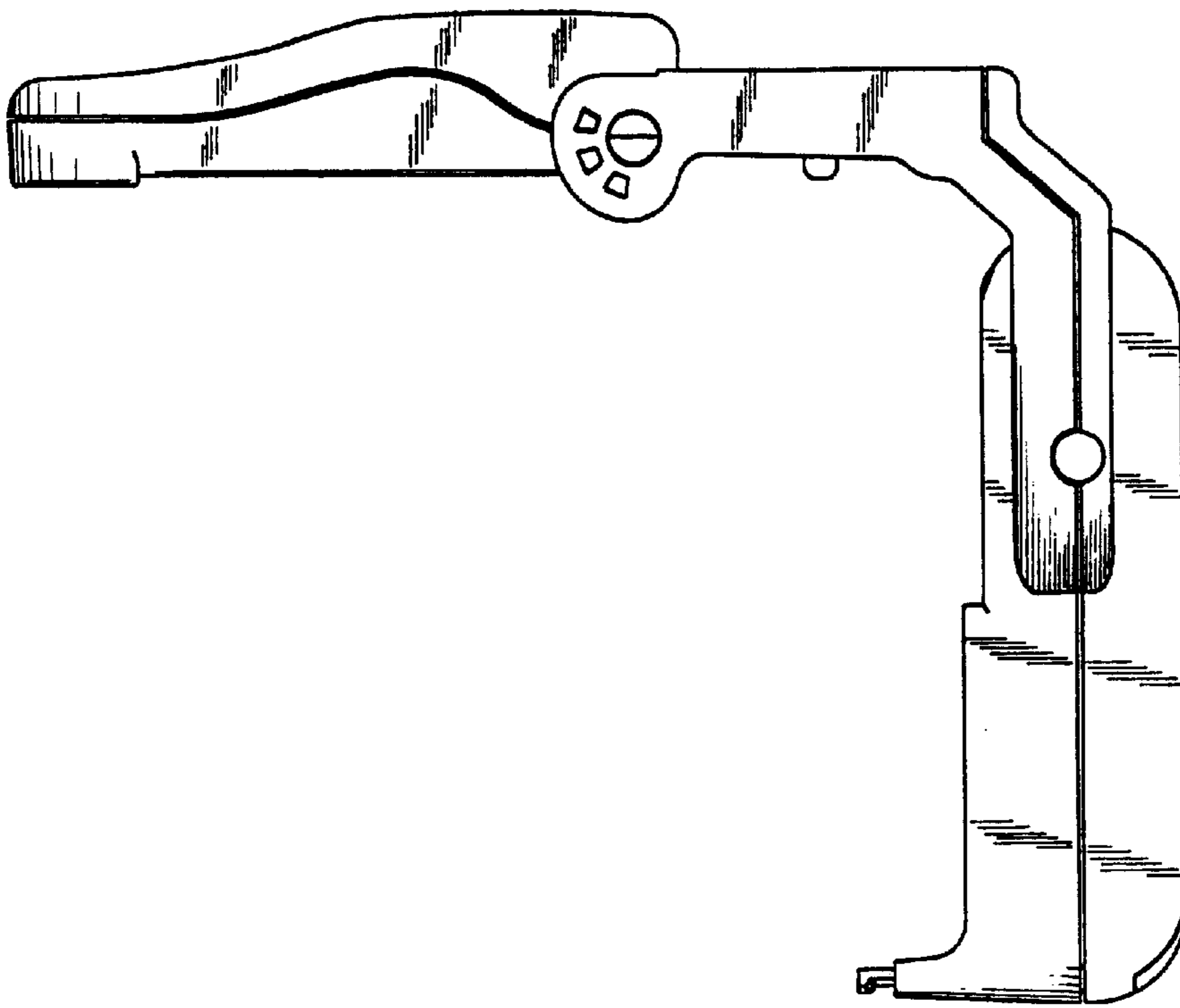


FIG. 5

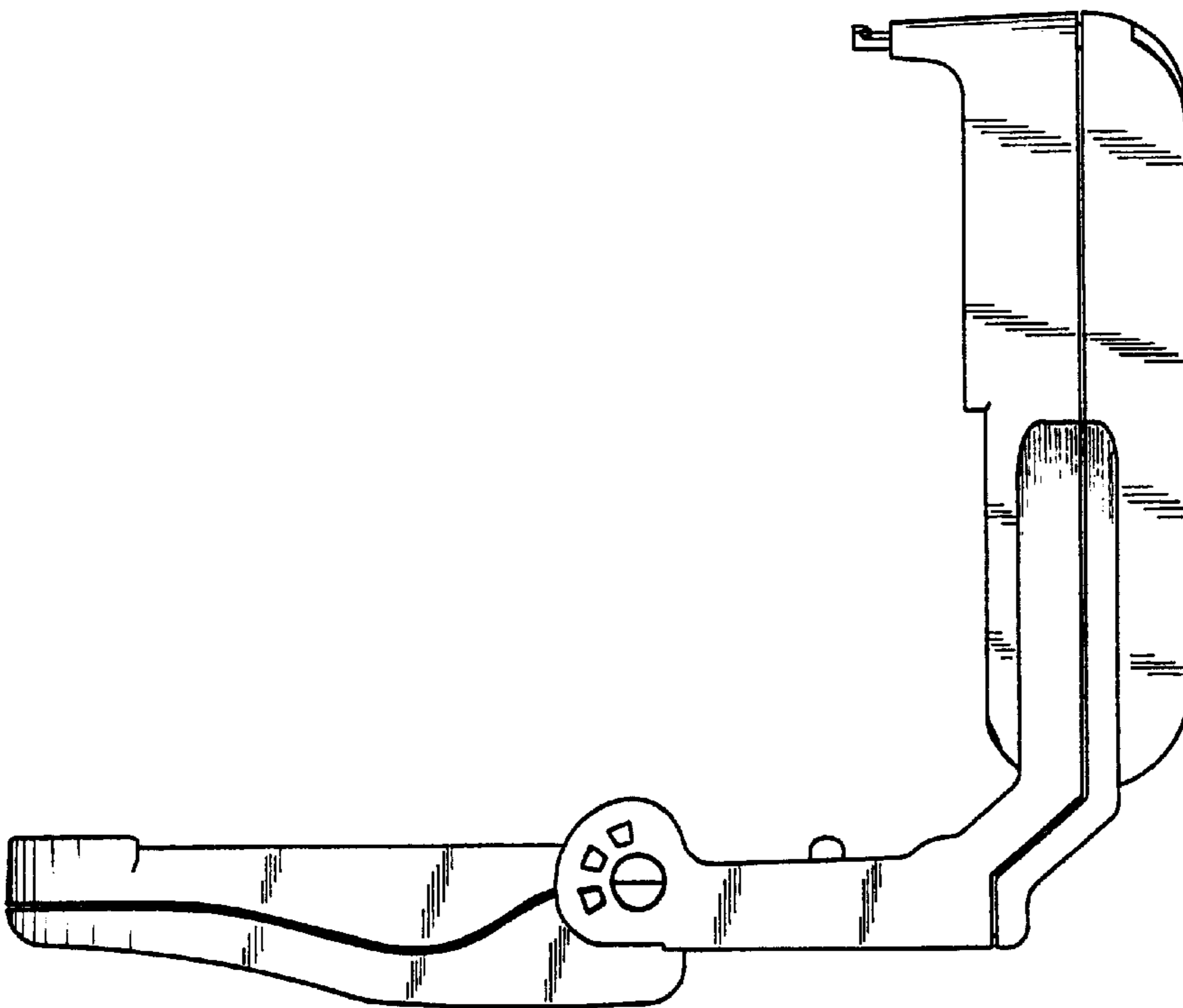


FIG. 4

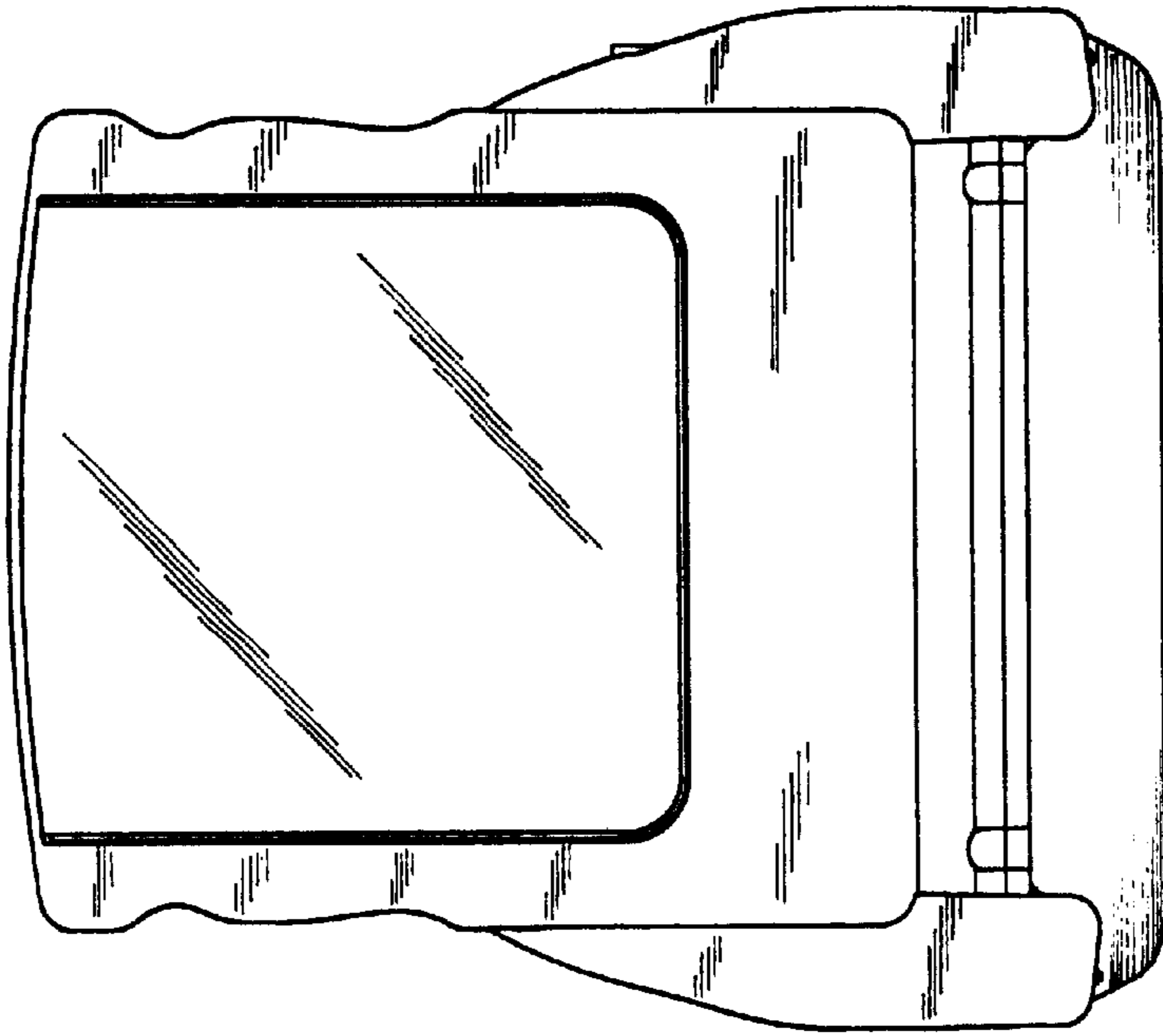


FIG. 6

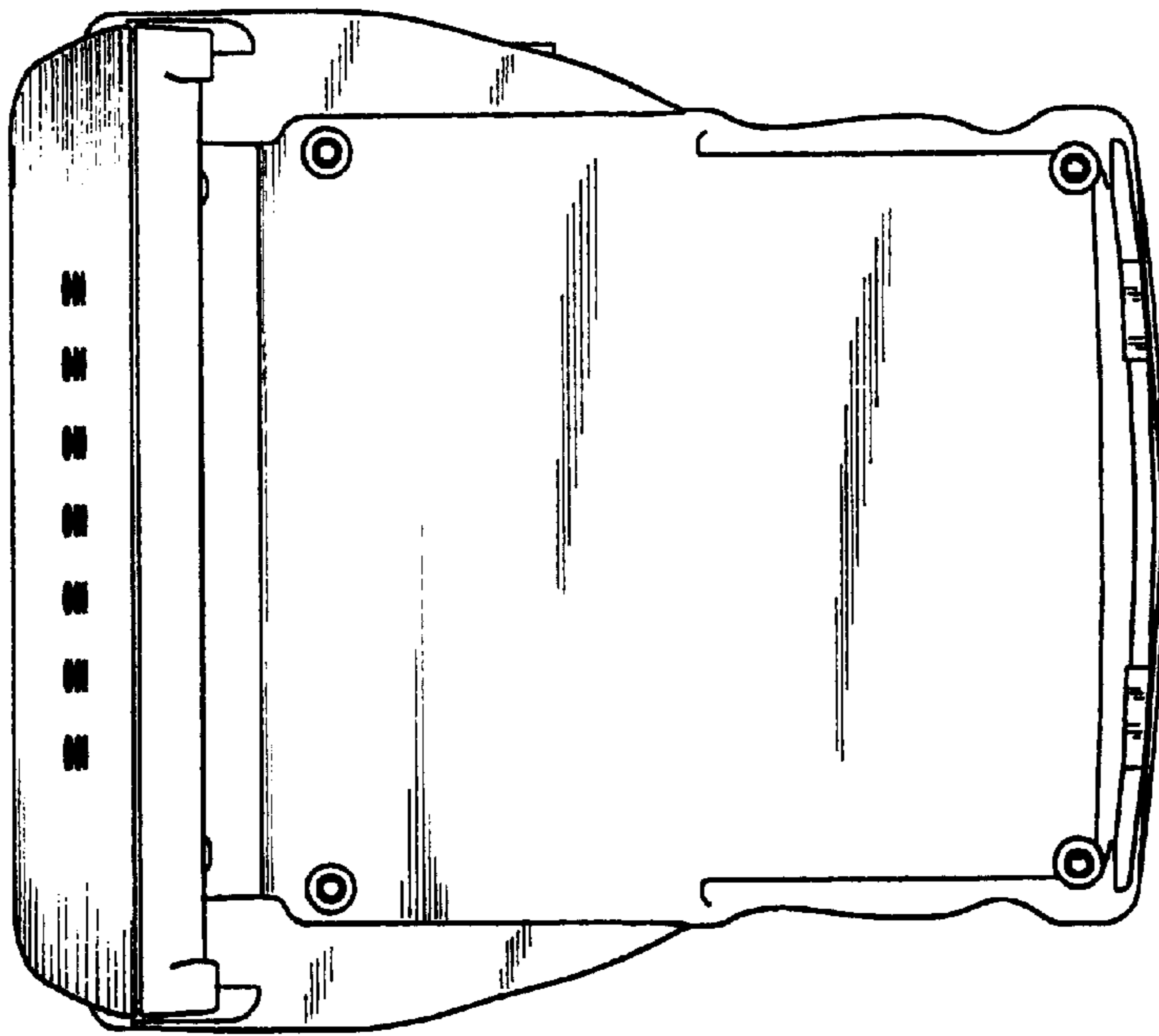


FIG. 7