



US00D472936S

(12) **United States Design Patent**  
**Ohtomi et al.**

(10) **Patent No.:** **US D472,936 S**

(45) **Date of Patent:** **\*\* Apr. 8, 2003**

(54) **GAME MACHINE**

(75) Inventors: **Makiko Ohtomi**, Tokyo (JP); **Takashi Hamano**, Tokyo (JP); **Kouki Atobe**, Tokyo (JP); **Hiroshi Kinomoto**, Tokyo (JP)

(73) Assignee: **Konami Kabushiki Kaisha**, Tokyo (JP)

(\*\*) Term: **14 Years**

(21) Appl. No.: **29/160,840**

(22) Filed: **May 20, 2002**

(30) **Foreign Application Priority Data**

Nov. 21, 2001 (JP) ..... 2001-034121

(51) **LOC (7) Cl.** ..... **21-01**

(52) **U.S. Cl.** ..... **D21/325**

(58) **Field of Search** ..... D21/324-327,  
D21/333; 463/1, 10-13, 29-35, 46, 47,  
50, 51, 52; 273/148 B; 348/440.1, 442;  
434/247, 253; 482/70, 79, 146, 901, 902

(56) **References Cited**

**U.S. PATENT DOCUMENTS**

4,643,421 A \* 2/1987 Meyer et al. .... 463/1  
5,456,468 A \* 10/1995 Stringfellow et al. ... 273/148 B

D382,915 S \* 8/1997 Yang ..... D21/327  
5,813,914 A \* 9/1998 McKay et al. .... 463/46  
5,851,147 A \* 12/1998 Stupak et al. .... 463/13  
D411,582 S \* 6/1999 Muraki et al. .... D21/325  
D419,606 S \* 1/2000 Toriyama ..... D21/325  
D421,774 S \* 3/2000 Toriyama ..... D21/325

**OTHER PUBLICATIONS**

Magazine Advertisement, "Billy Bowl," vol. 24, No. 8, The Coin Op. Journal, (Aug. 1999) 2 Pages.

\* cited by examiner

*Primary Examiner*—Prabhakar Deshmukh  
(74) *Attorney, Agent, or Firm*—Rader, Fishman & Grauer PLLC

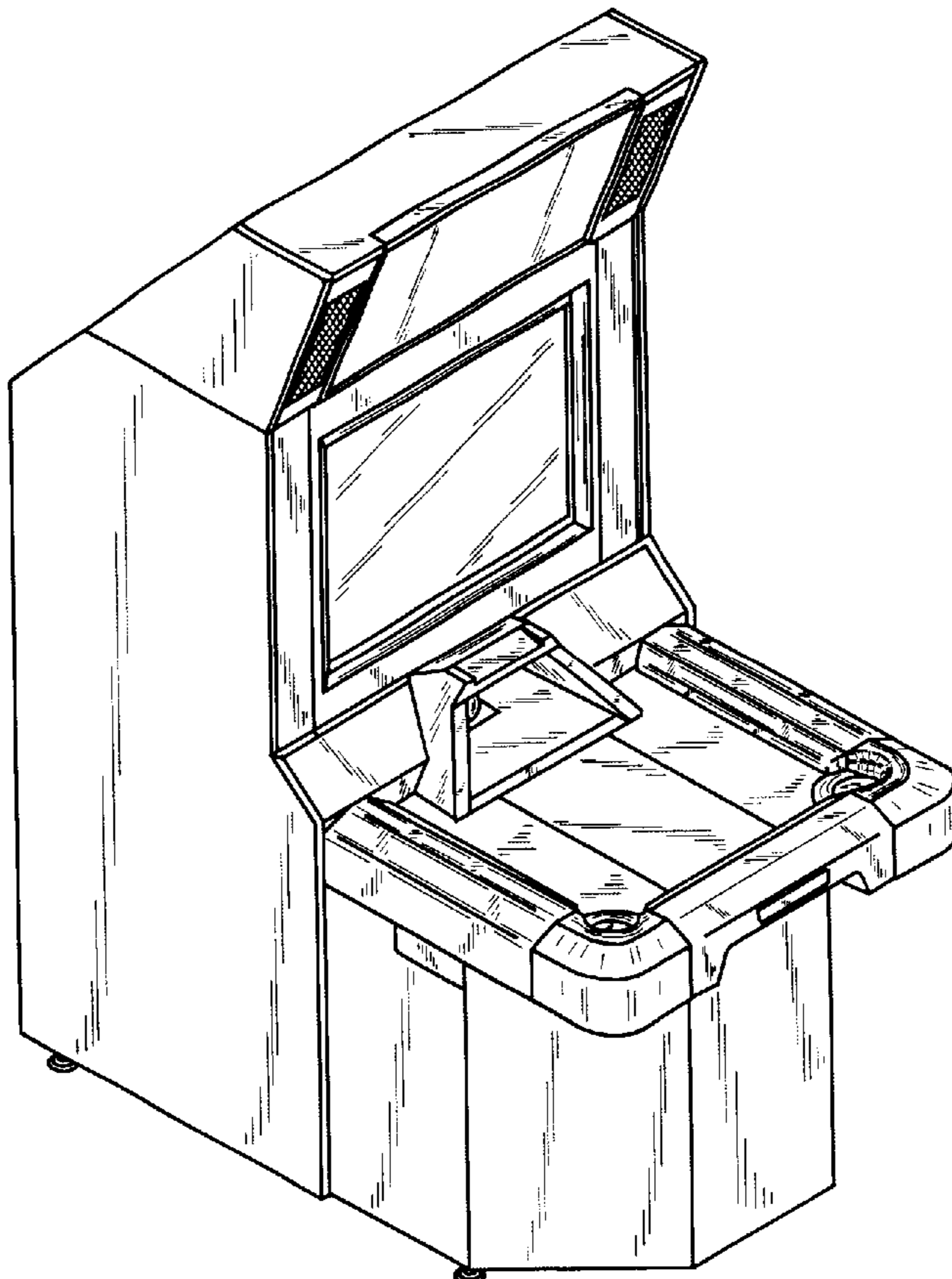
(57) **CLAIM**

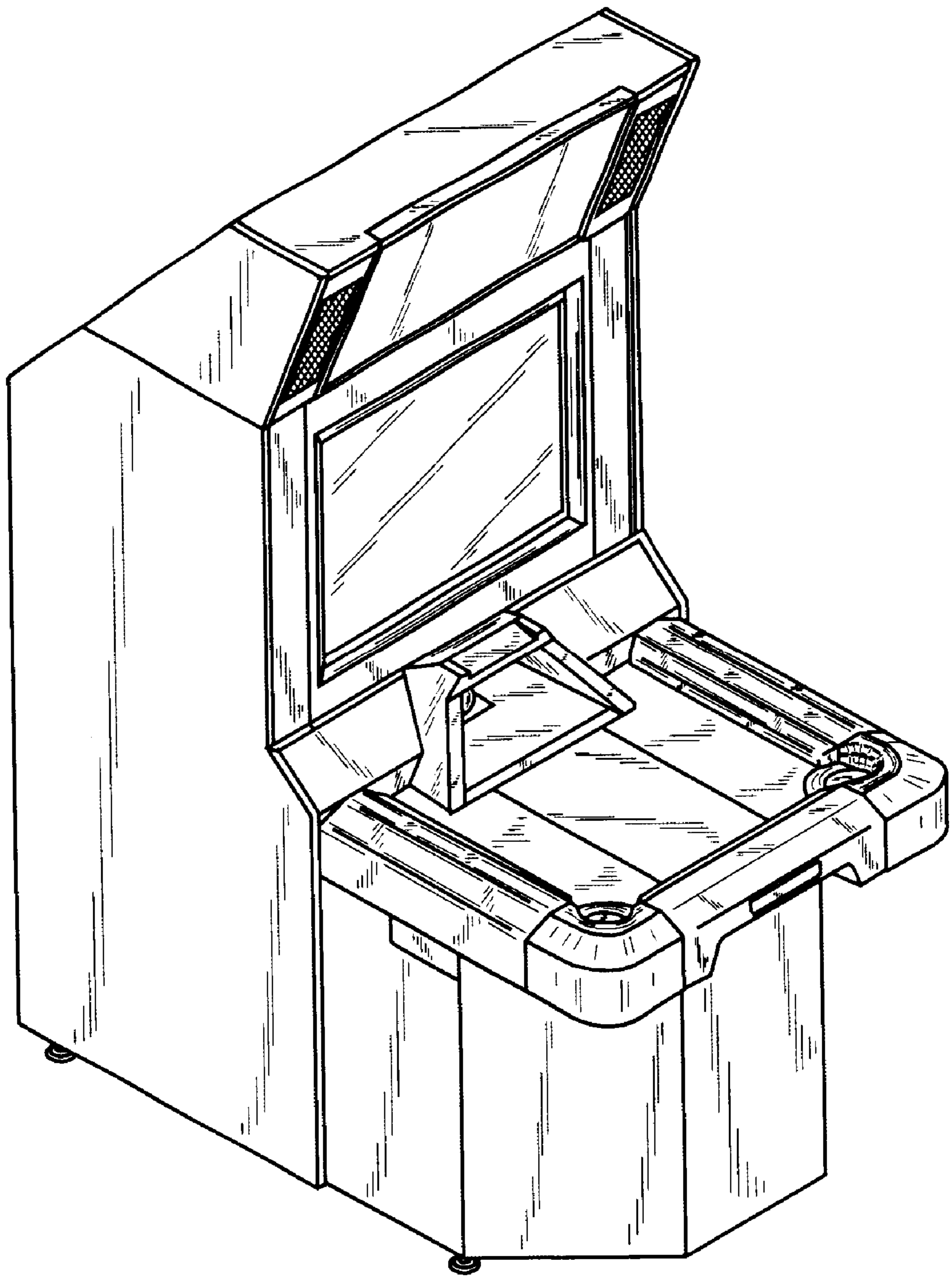
The ornamental design for a game machine, as shown.

**DESCRIPTION**

FIG. 1 is a perspective view of a game machine showing our new design;  
FIG. 2 is a front elevational view thereof;  
FIG. 3 is rear elevational view thereof;  
FIG. 4 is a right side elevational view thereof;  
FIG. 5 is a left side elevational view thereof; and,  
FIG. 6 is a top plan view thereof.

**1 Claim, 4 Drawing Sheets**





**Fig. 1**

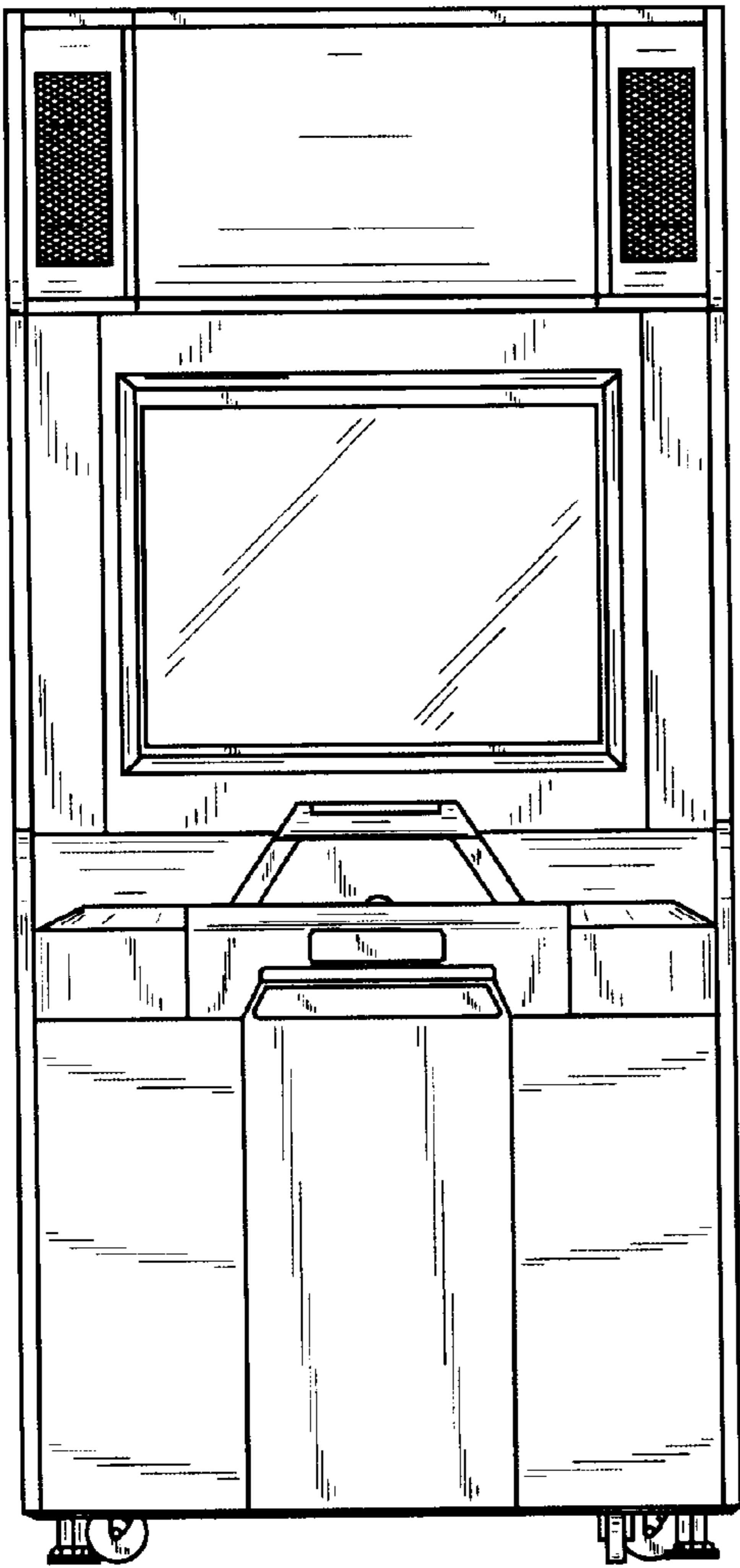


Fig. 2

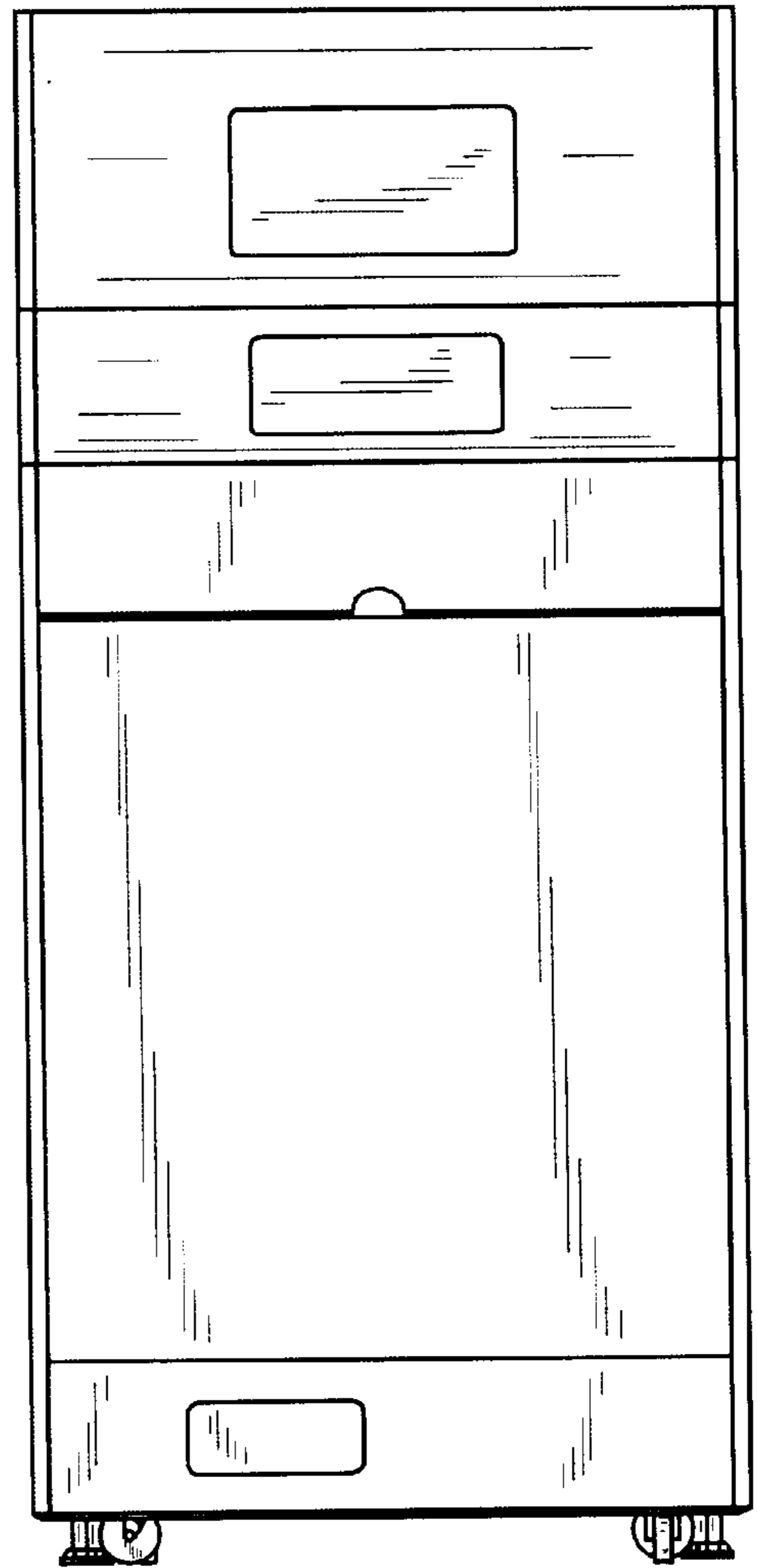
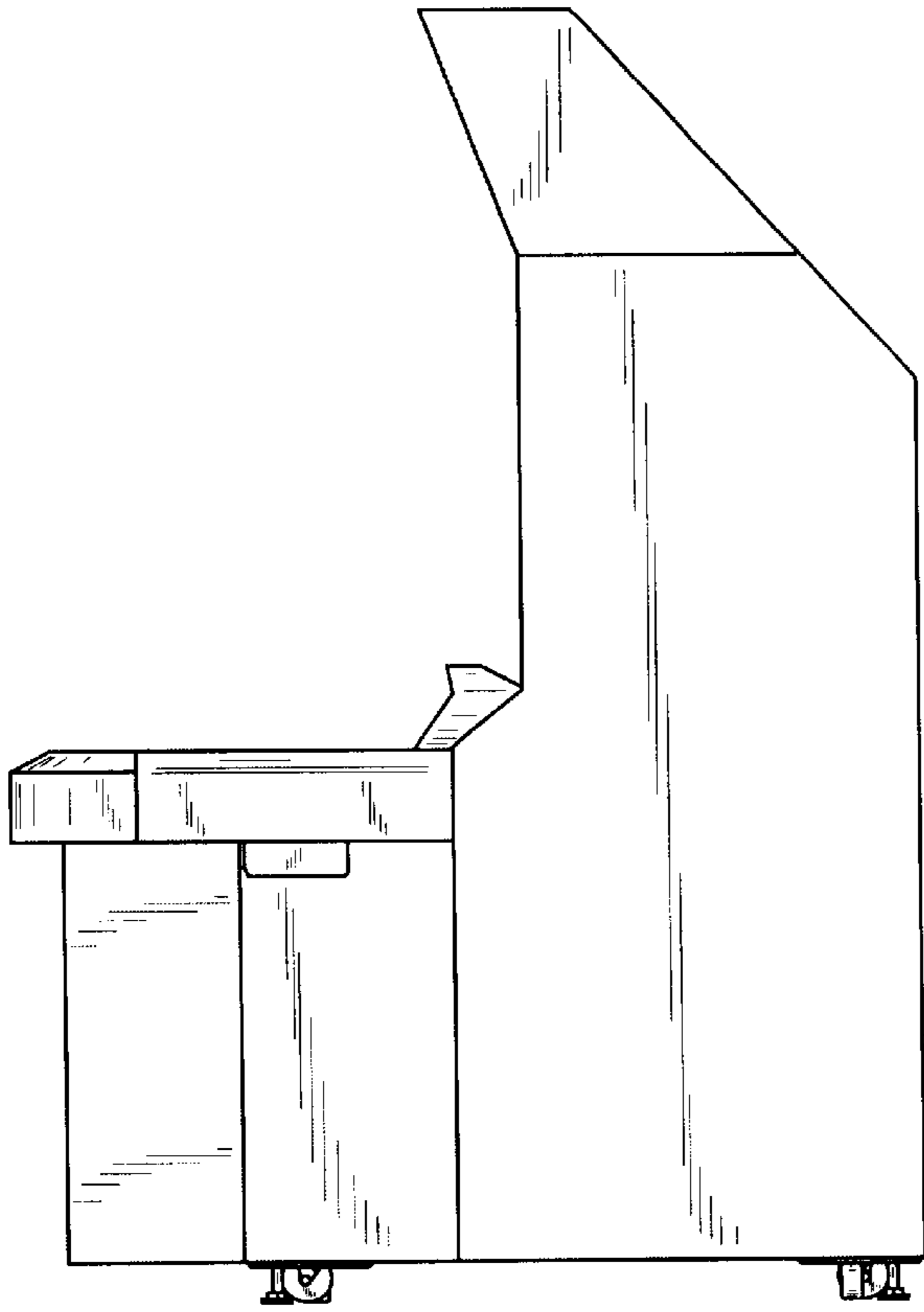
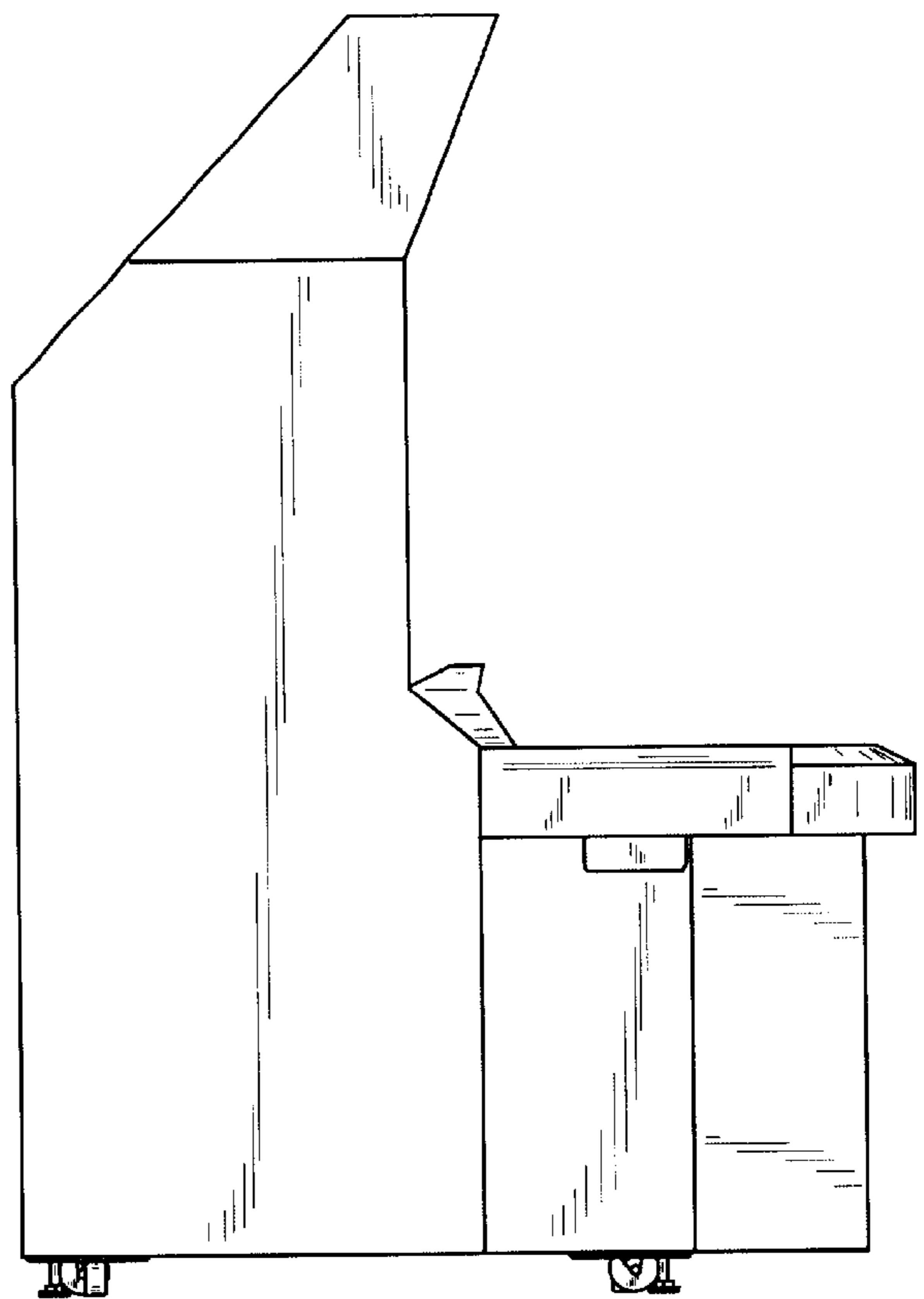


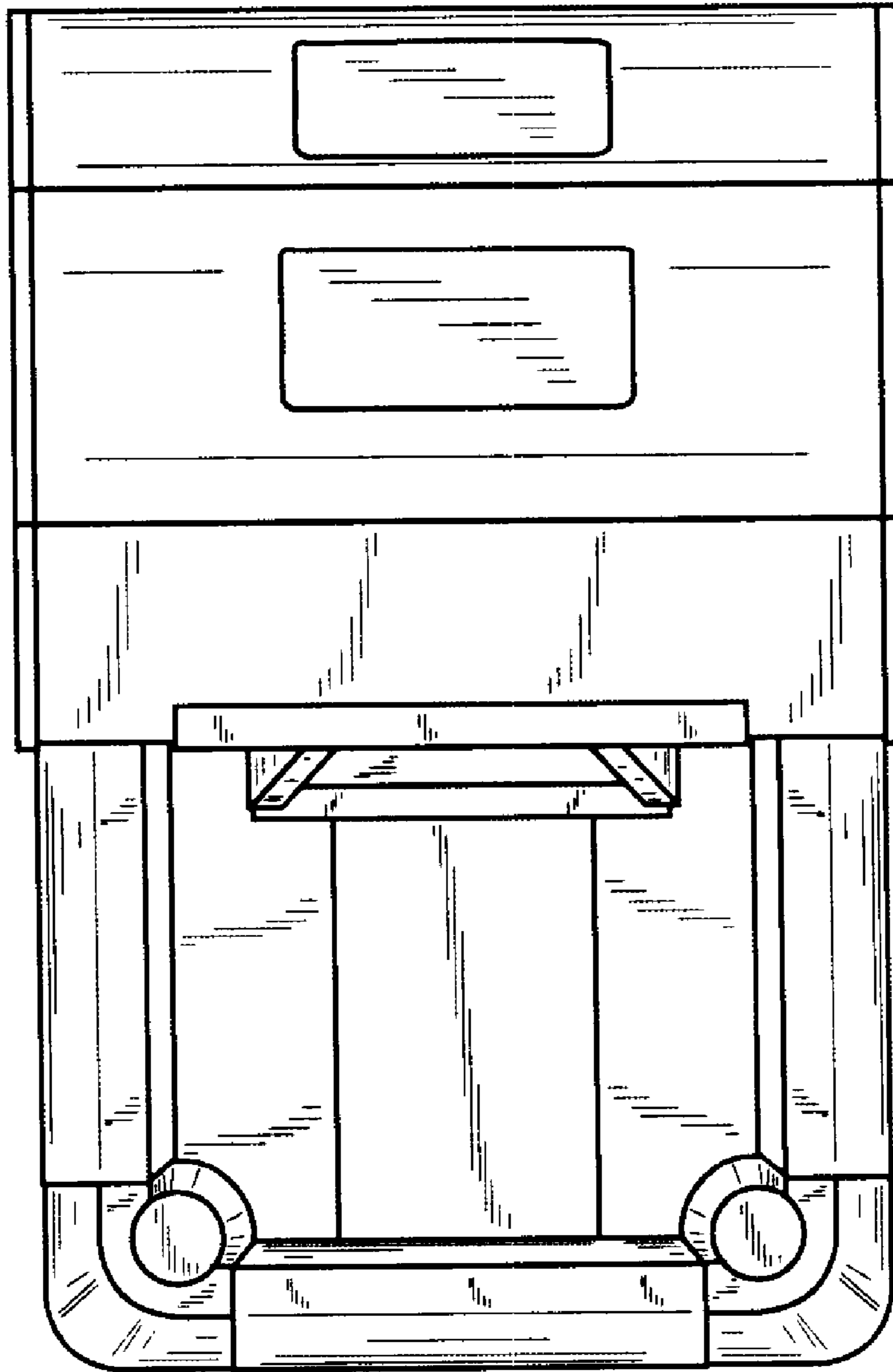
Fig. 3



**Fig. 4**



**Fig. 5**



**Fig. 6**