



US00D472932S

(12) **United States Design Patent** (10) **Patent No.:** **US D472,932 S**
Showers et al. (45) **Date of Patent:** **** Apr. 8, 2003**

(54) **CAR WASH ENTRY STATION**

(75) Inventors: **Mark N. Showers**, Menasha, WI (US);
Dave Gagnon, DePere, WI (US);
Kimmo Ukkola, DePere, WI (US)

(73) Assignee: **Delaware Capital Formation Inc.**,
Wilmington, DE (US)

(**) Term: **14 Years**

(21) Appl. No.: **29/160,637**

(22) Filed: **May 13, 2002**

(51) **LOC (7) Cl.** **20-01**

(52) **U.S. Cl.** **D20/1**

(58) **Field of Search** D20/1-6, 8-9,
D20/99; D25/34; D99/28; 134/123, 172;
232/15; 239/305, 310

(56) **References Cited**

U.S. PATENT DOCUMENTS

| | | | | | |
|------------|---|---------|-----------------|-------|--------|
| D51,393 S | * | 10/1917 | Havert | | D20/1 |
| D163,171 S | * | 5/1951 | Erickson et al. | | D20/4 |
| D287,513 S | * | 12/1986 | Chalabian | | D20/6 |
| D328,924 S | * | 8/1992 | Hamilton | | D20/4 |
| D335,506 S | * | 5/1993 | Tacke et al. | | D20/1 |
| D360,739 S | * | 7/1995 | Hall | | D99/28 |
| D362,689 S | * | 9/1995 | Goldman et al. | | D20/1 |
| D375,607 S | * | 11/1996 | Hall | | D99/28 |
| D388,229 S | * | 12/1997 | Couch | | D99/28 |
| D399,633 S | * | 10/1998 | Tsuchida | | D99/34 |

OTHER PUBLICATIONS

“Guide To Successful Carwash Marketing”, Unitec Electronics brochure, May 2001.

“The New Paystation For Automatic Car Wash”, American Changer brochure.

“Autocashier”, Hamilton Mfg. Corp. brochure, May 2001.

“ACW5 ACW5-CRC”, Hamilton Mfg. Corp. brochure.

“AUTOTEC 5 AUTOTEC 5-CRC”, Hamilton Mfg. Corp. brochure.

* cited by examiner

Primary Examiner—Robert M. Spear

(74) *Attorney, Agent, or Firm*—Andrus, Scales, Starke & Sawall, LLP

(57) **CLAIM**

The ornamental design for a car wash entry station, as shown and described.

DESCRIPTION

FIG. 1 is a perspective view of a car wash entry station embodying the present invention;

FIG. 2 is a top view of the car wash entry station;

FIG. 3 is a bottom view of the car wash entry station;

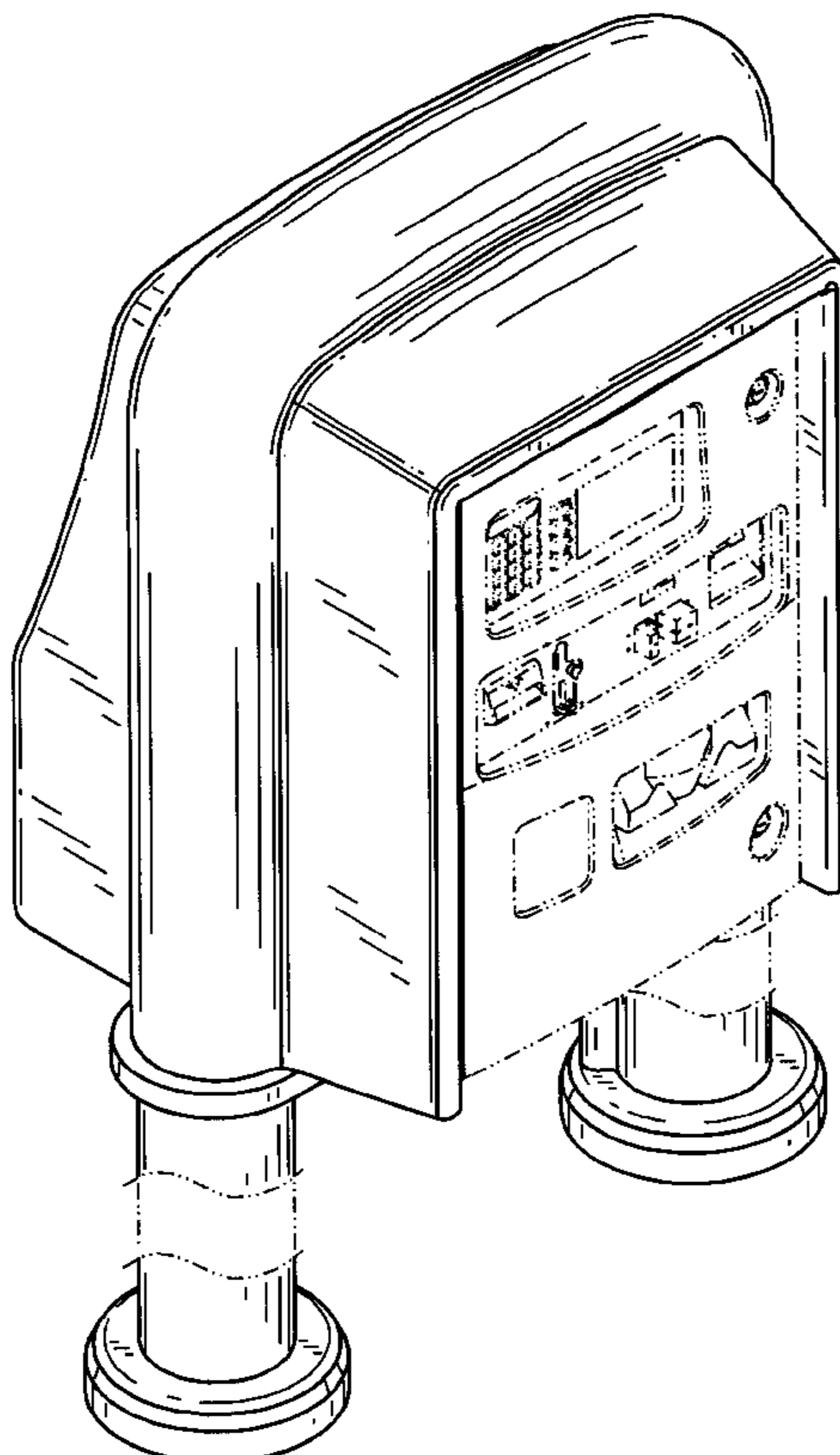
FIG. 4 is a front view of the car wash entry station;

FIG. 5 is a right side view of the car wash entry station, wherein the left side view is a mirror image thereof; and,

FIG. 6 is a back view of the car wash entry station.

The broken lines shown in the drawings depict environmental structure and form no part of the claimed design.

1 Claim, 5 Drawing Sheets



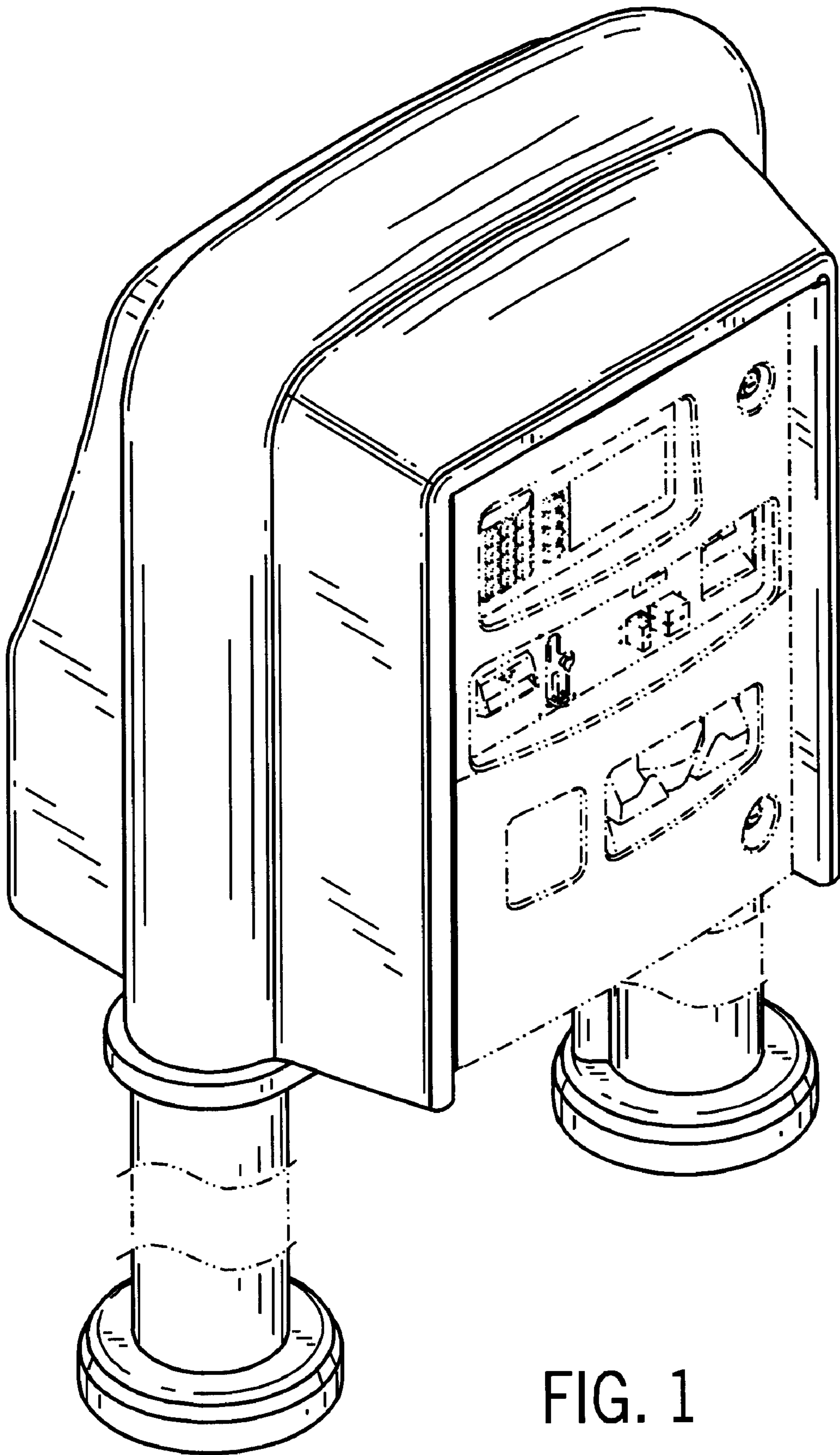


FIG. 1

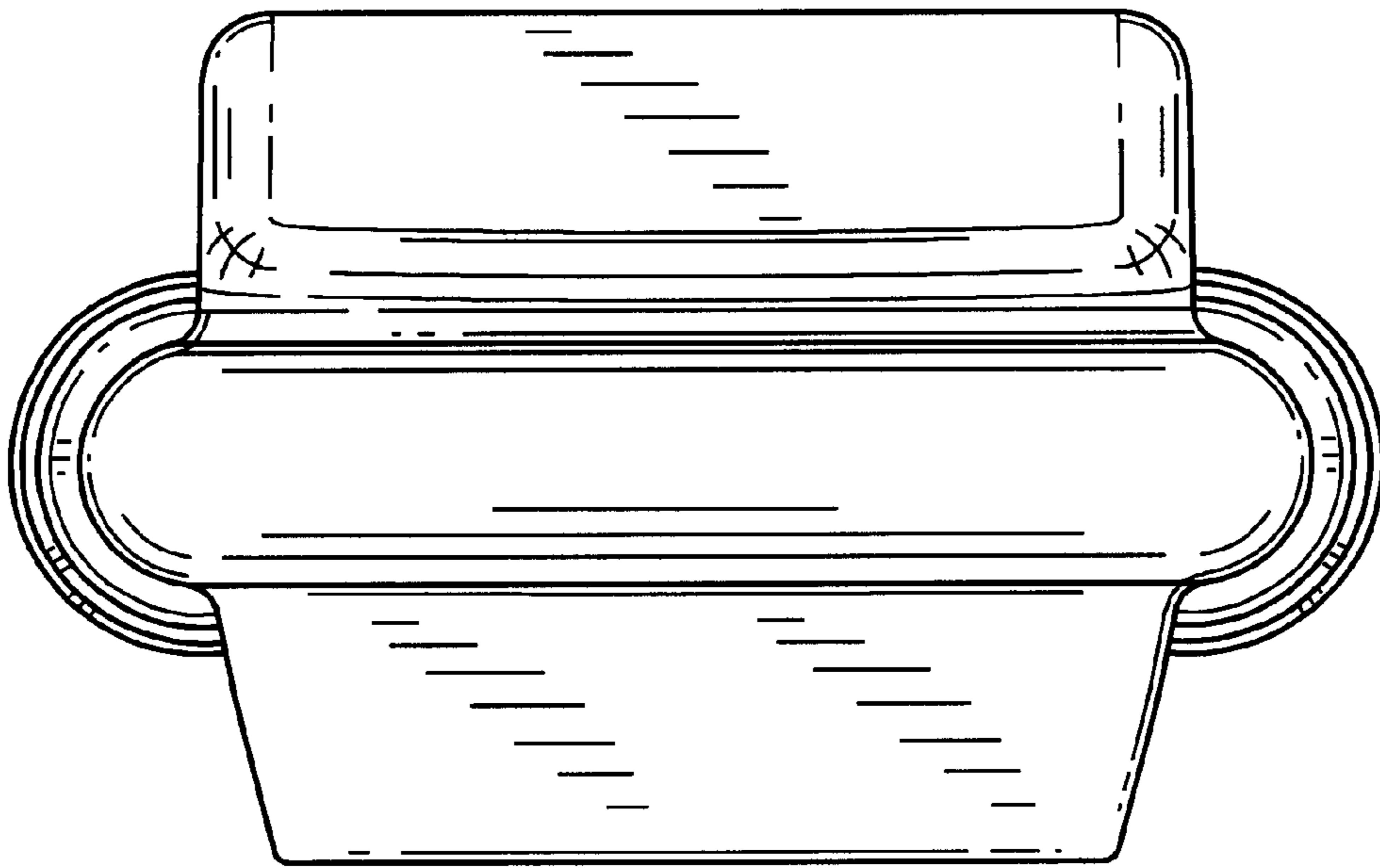
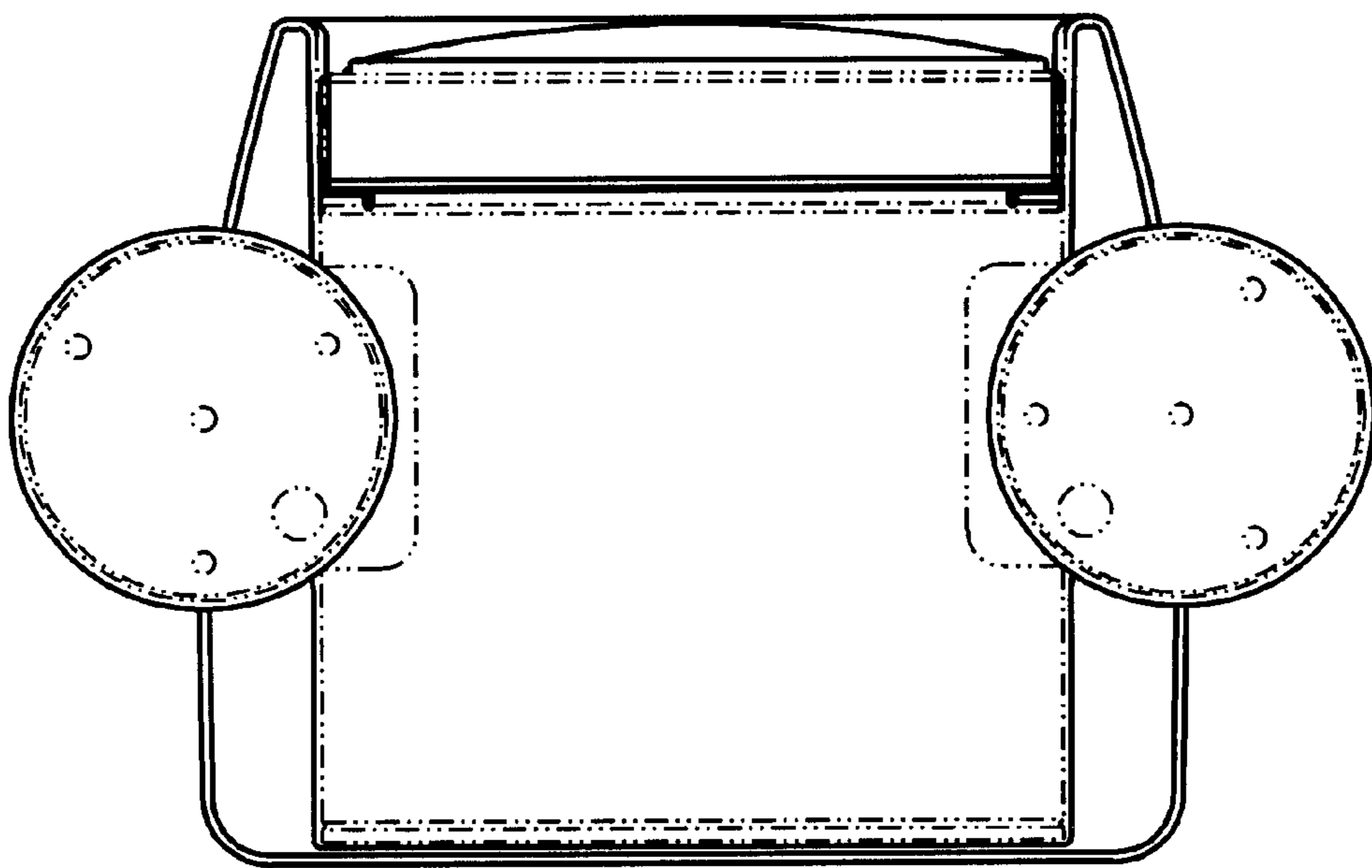


FIG. 2

FIG. 3



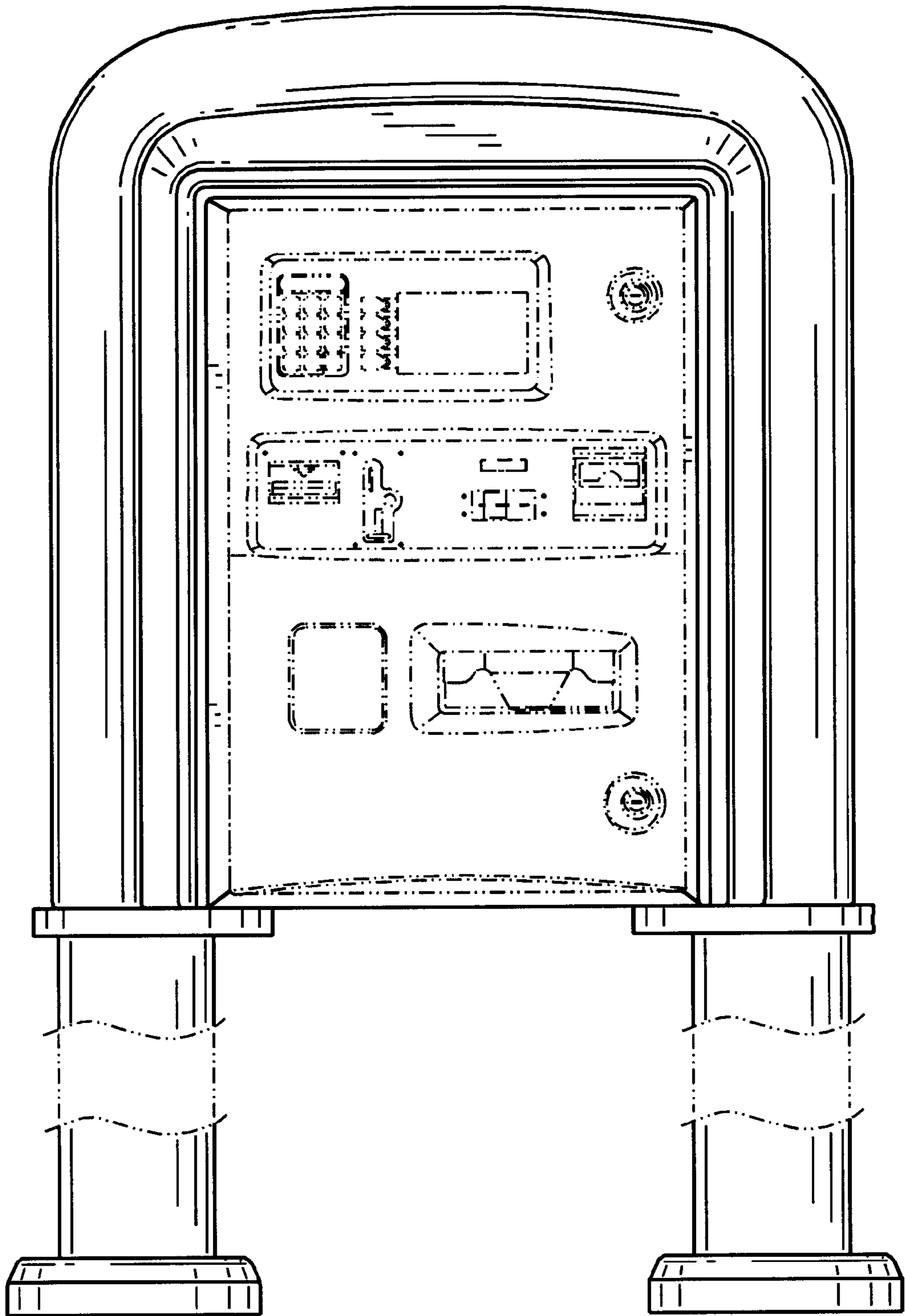


FIG. 4

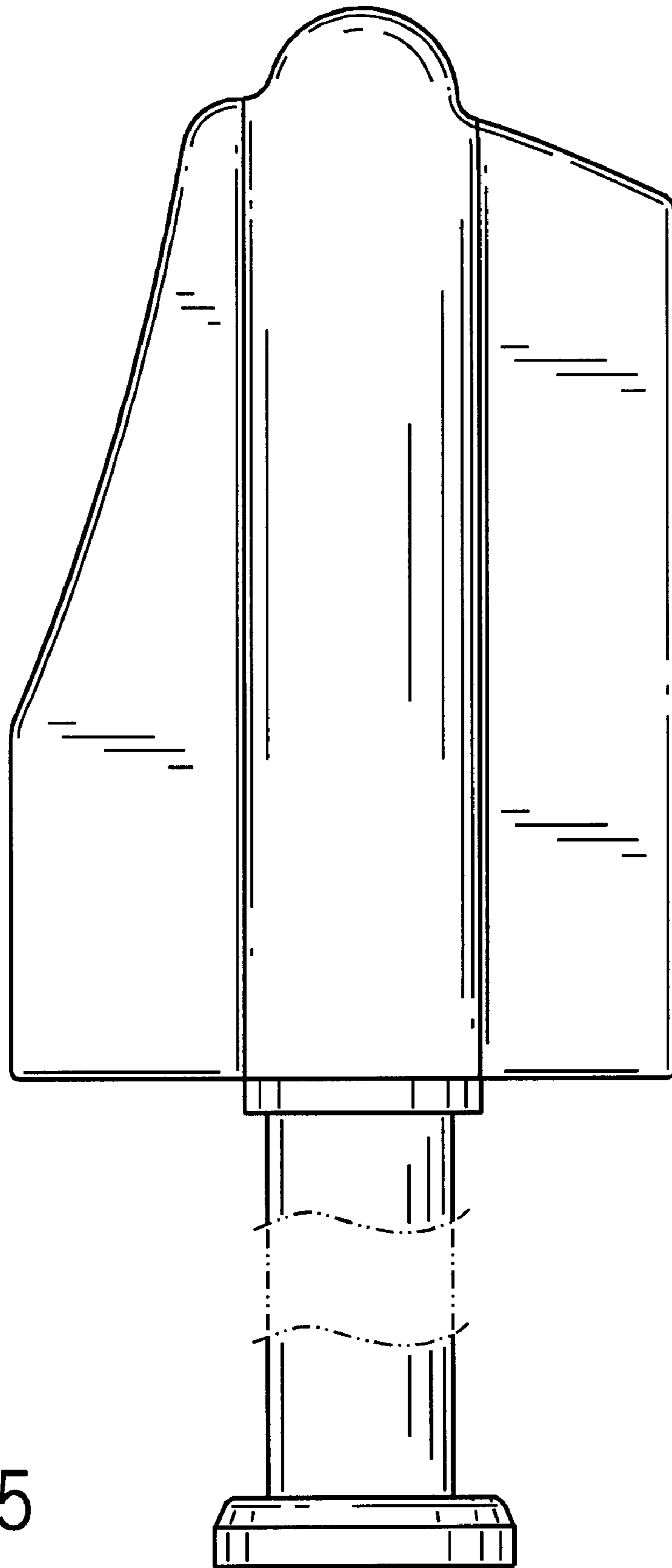


FIG. 5

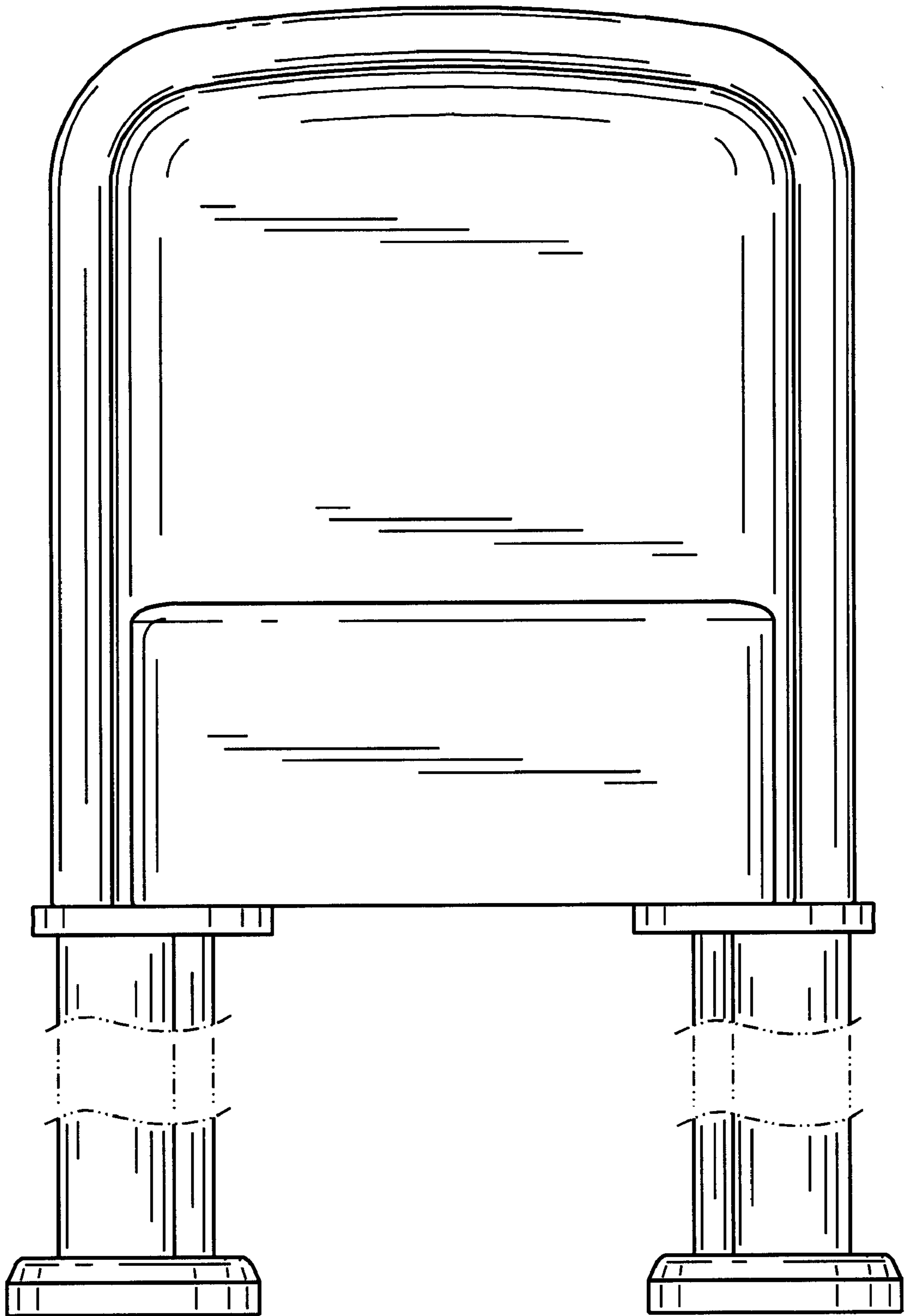


FIG. 6