



US00D472931S

(12) **United States Design Patent**  
**Leins**

(10) **Patent No.:** **US D472,931 S**

(45) **Date of Patent:** **\*\* Apr. 8, 2003**

(54) **MULTI PURPOSE HAND OPERATED OFFICE UTENSIL**

(75) Inventor: **Hanspeter Leins**, Nagold (DE)

(73) Assignee: **Ctech AG**, Landquart (CH)

(\*\*) Term: **14 Years**

(21) Appl. No.: **29/159,577**

(22) Filed: **Apr. 23, 2002**

**Related U.S. Application Data**

(62) Division of application No. 29/129,536, filed on Aug. 29, 2000, now Pat. No. Des. 464,679, which is a continuation of application No. 29/099,577, filed on Jan. 22, 1999, now Pat. No. Des. 448,410.

(30) **Foreign Application Priority Data**

Jul. 23, 1998 (XH) ..... DM/044 810

(51) **LOC (7) Cl.** ..... **19-02**

(52) **U.S. Cl.** ..... **D19/65; D8/105**

(58) **Field of Search** ..... D19/65, 75, 77,  
D19/81-85, 99, 100; D8/98, 104, 105;  
7/118, 119, 160, 163, 164, 167, 170; 30/152

(56) **References Cited**

**U.S. PATENT DOCUMENTS**

662,005 A	11/1900	Lewis	
790,432 A	5/1905	Heilrath	
857,459 A	6/1907	Hendrickson	
2,264,322 A	12/1941	Maynard	1/3
2,486,500 A	11/1949	Shocket	1/49
2,726,393 A	12/1955	Vogel	1/3.05
3,315,295 A *	4/1967	Jeter, Jr. et al.	7/167 X
3,640,443 A	2/1972	Itagaki	227/120
3,907,190 A	9/1975	Mitsubishi	227/127
3,951,325 A	4/1976	Mitsubishi	227/76
4,002,281 A	1/1977	Hsu	227/63
4,114,793 A	9/1978	Hsu	227/63
4,240,572 A	12/1980	Mitsubishi	227/76
4,288,018 A	9/1981	Taniguchi	227/76
4,491,261 A	1/1985	Mitsubishi	227/76

(List continued on next page.)

**FOREIGN PATENT DOCUMENTS**

DE	P.A. 1980350-3458	6/1958
DE	26 25 749 A1	12/1977
DE	4021645 A1	2/1991
DE	41 10 688 A1	9/1991
EP	0 306 678 A2	3/1989
GB	2 186 227 A	8/1987
GB	2196896 A	4/1988
JP	08112781 A	5/1996
WO	WO 84/01739	5/1984

**OTHER PUBLICATIONS**

Brochure, "Wenger. The Genuine Swiss Army Knife", 27 pages.

Brochure, "Wenger. The Genuine Swiss Army Knife™", 8 pages.

Six photographs showing top, bottom, left-side, right-side, front, and rear views of "MoMA PLUS" device.

WIPO International Designs Bulletin Issue No. 01/1997 (DM/038962), published Mar. 27, 1997.

*Primary Examiner*—Martie K. Holtje

(74) *Attorney, Agent, or Firm*—Brinks Hofer Gilson & Lione

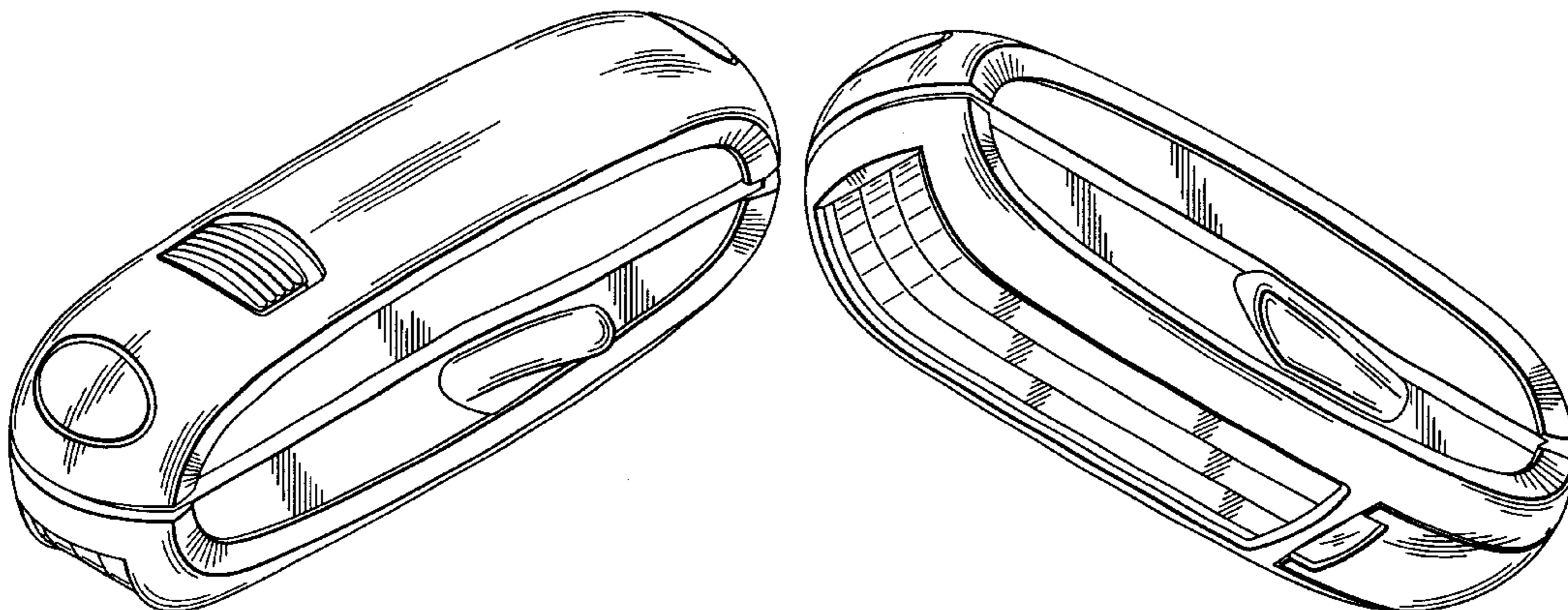
(57) **CLAIM**

The ornamental design for a multi purpose hand operated office utensil, as shown and described.

**DESCRIPTION**

FIG. 1 is a first perspective view of a multi purpose hand operated office utensil showing my new design; FIG. 2 is a second perspective view of FIG. 1; FIG. 3 is a third perspective view of FIG. 1; FIG. 4 is a fourth perspective view of FIG. 1; FIG. 5 is a front elevational view of FIG. 1; FIG. 6 is a rear elevational view of FIG. 1; FIG. 7 is a rightside elevational view of FIG. 1; FIG. 8 is a leftside elevational view of FIG. 1; FIG. 9 is a top plan view of FIG. 1; and, FIG. 10 is a bottom plan view of FIG. 1.

**1 Claim, 5 Drawing Sheets**



# US D472,931 S

Page 2

---

U.S. PATENT DOCUMENTS							
4,640,451 A	2/1987	Steiner et al. ....	227/76	5,655,697 A	8/1997	Yeh .....	227/27
4,727,610 A	3/1988	Lin .....	7/160	D402,313 S	12/1998	Tzeng .....	D19/65
4,729,170 A	3/1988	Hartmeister .....	30/363	D415,201 S	10/1999	Leins .....	D19/65
4,779,785 A	10/1988	Amagaya .....	227/76	D425,125 S	5/2000	Leins .....	D19/65
4,783,867 A	11/1988	Tsao		D434,073 S	11/2000	Leins .....	D19/65
4,794,692 A	1/1989	Wang		D436,130 S	1/2001	Leins .....	D19/65
D302,102 S	7/1989	Amagaya		D437,615 S	2/2001	Leins	
D318,070 S	7/1991	Amagaya		D441,020 S	4/2001	Leins	
5,114,257 A	5/1992	Hsu .....	401/195	D448,410 S	9/2001	Leins	
5,184,765 A	2/1993	Orozco .....	227/27	D464,679 S	* 10/2002	Leins .....	D19/65
5,584,124 A	12/1996	Marthaler et al. ....	30/363				

\* cited by examiner

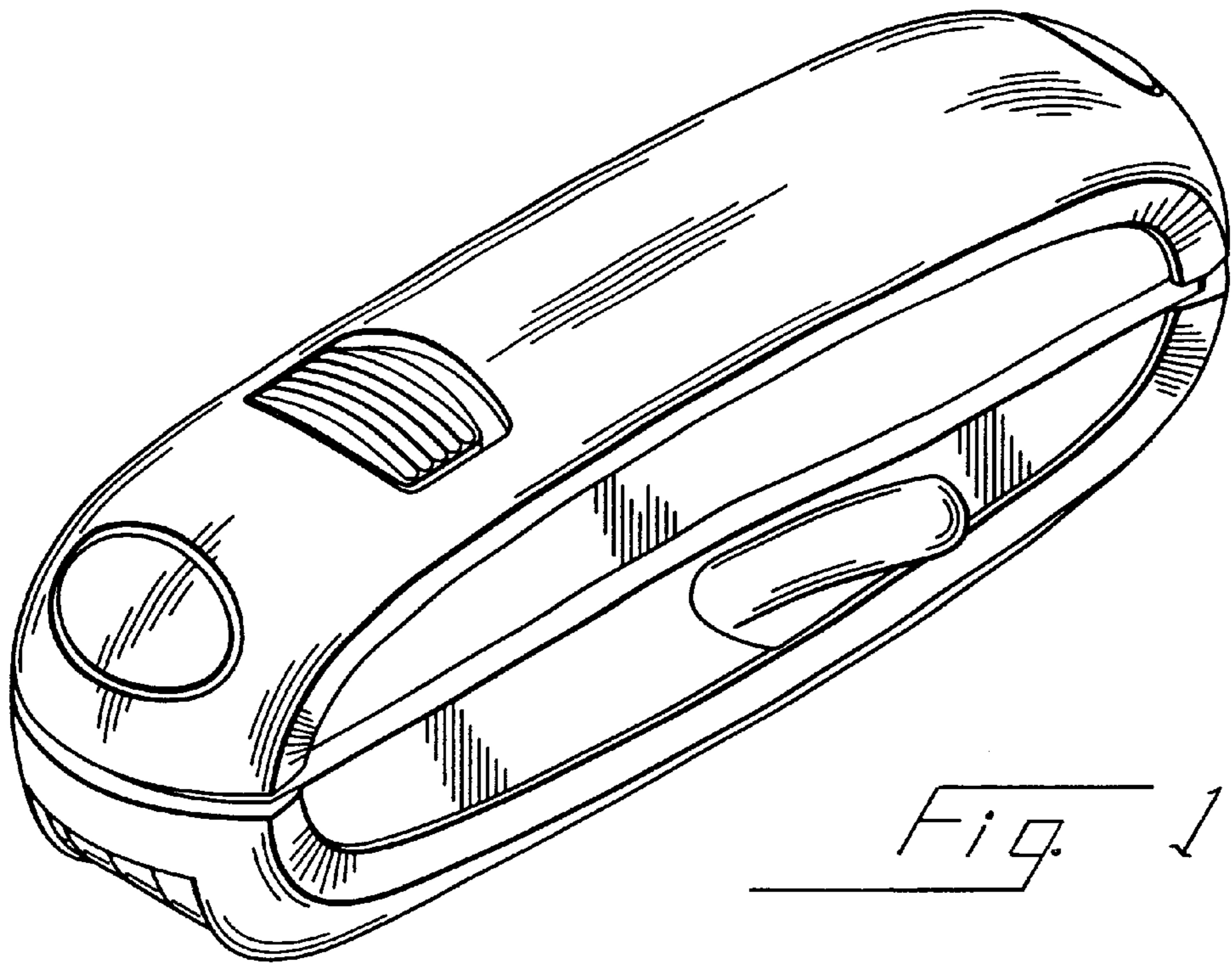


Fig. 1

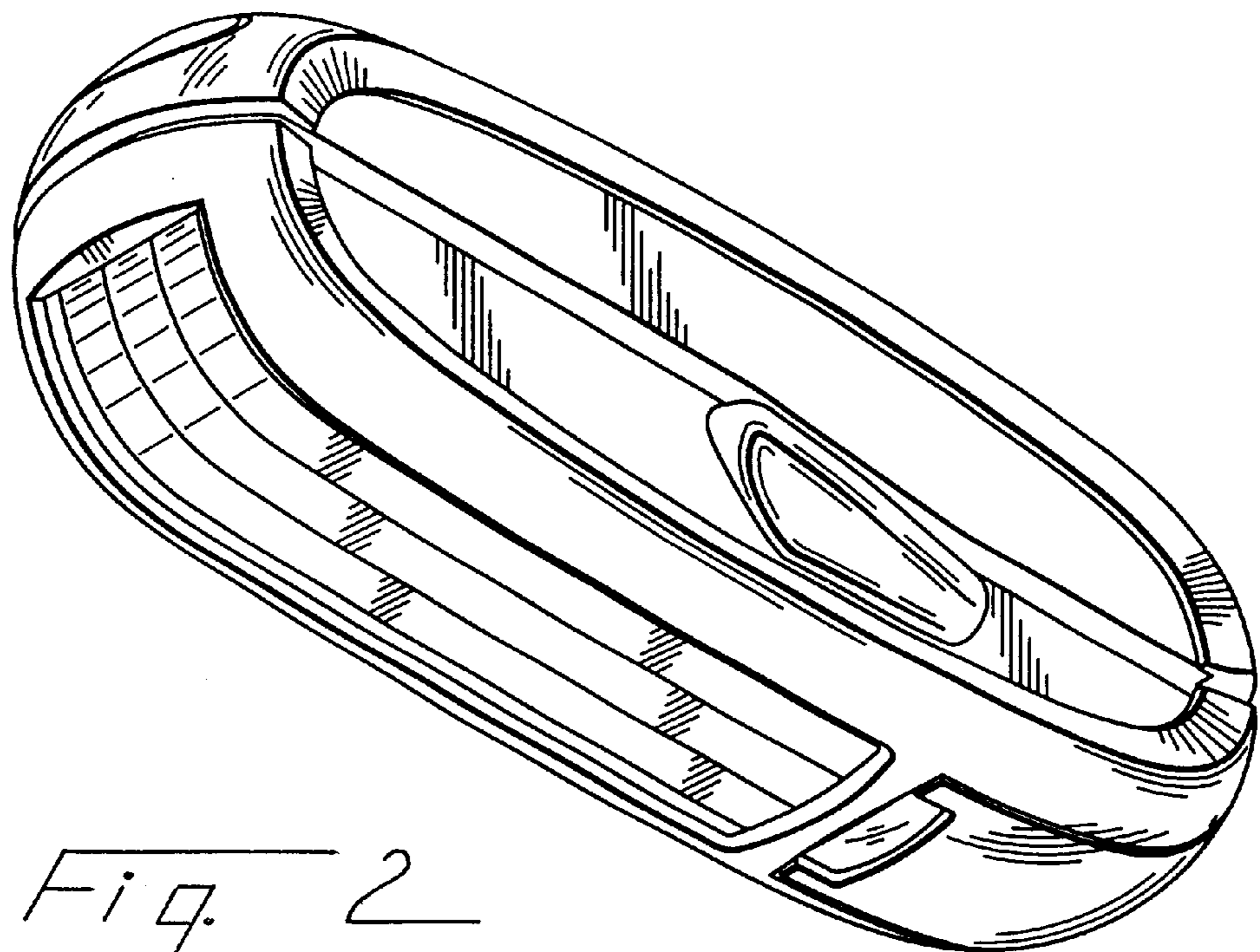


Fig. 2



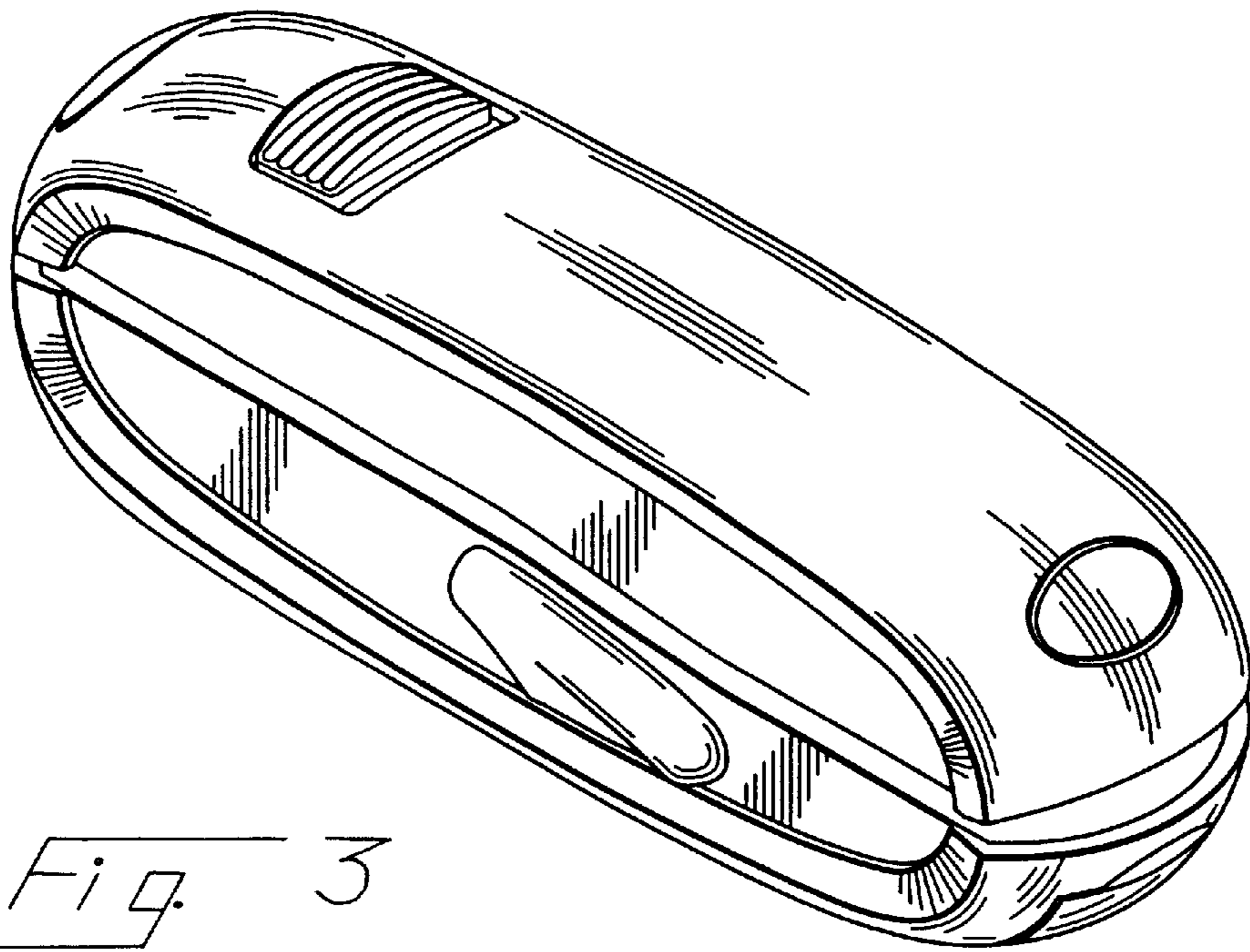


Fig. 3

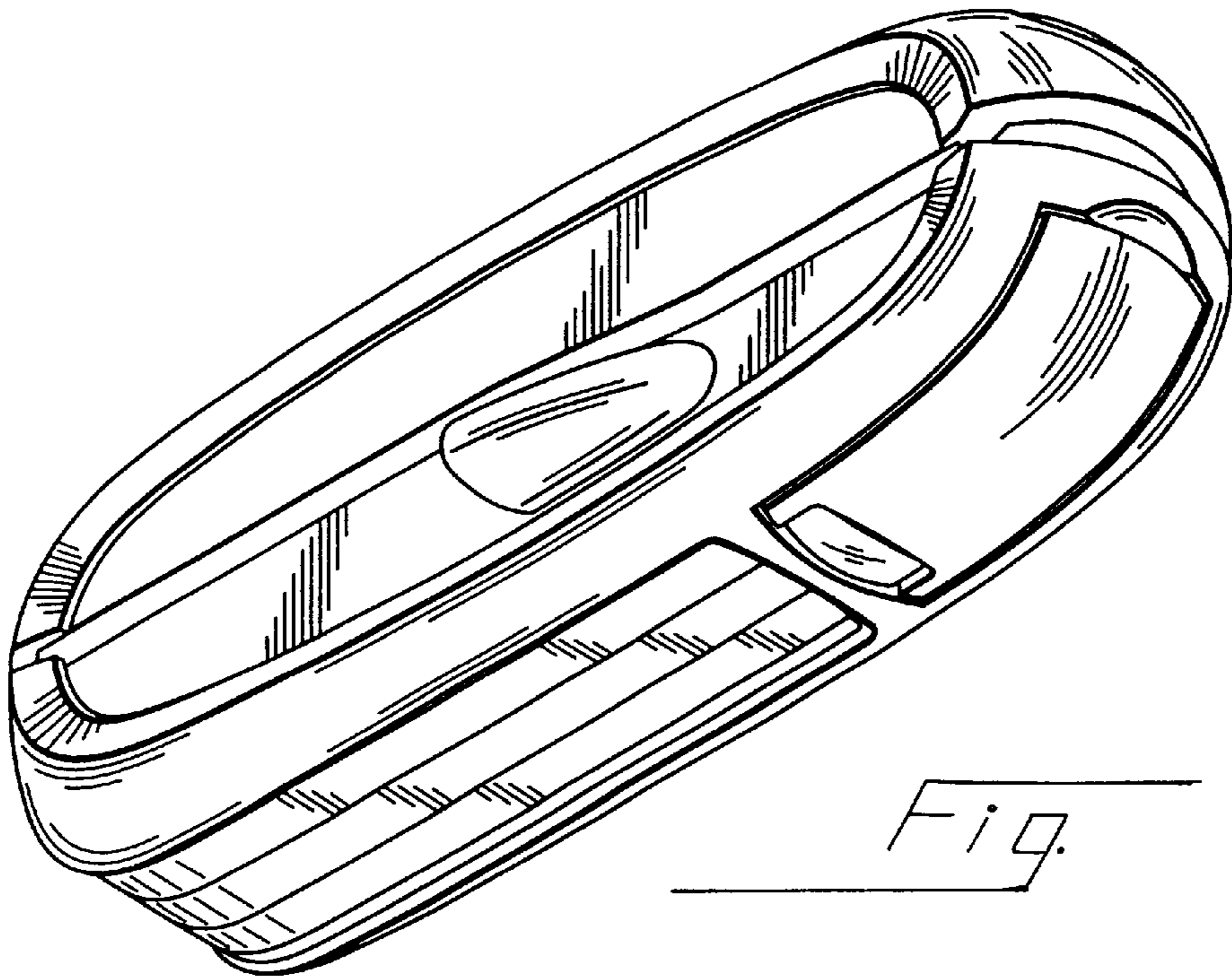
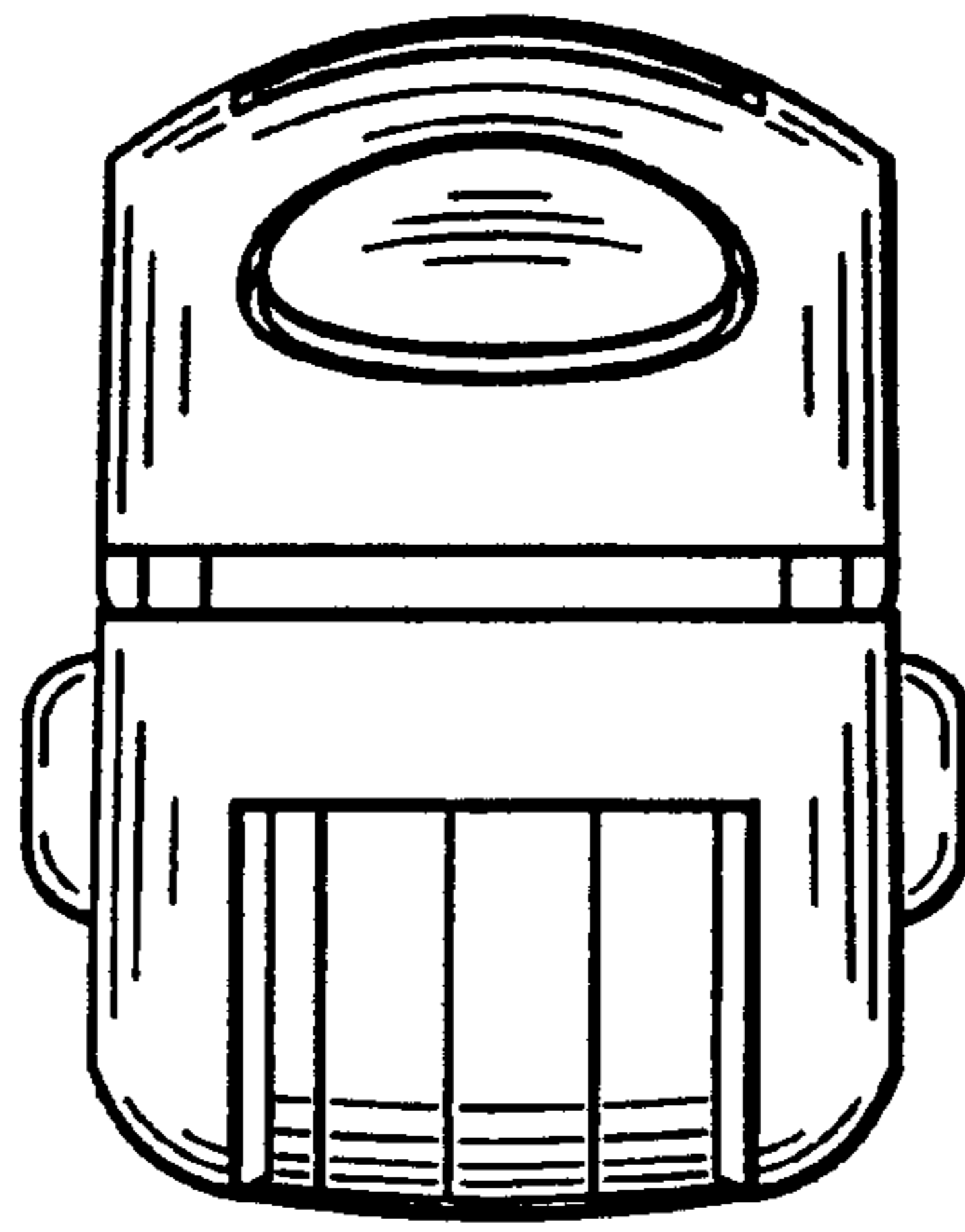
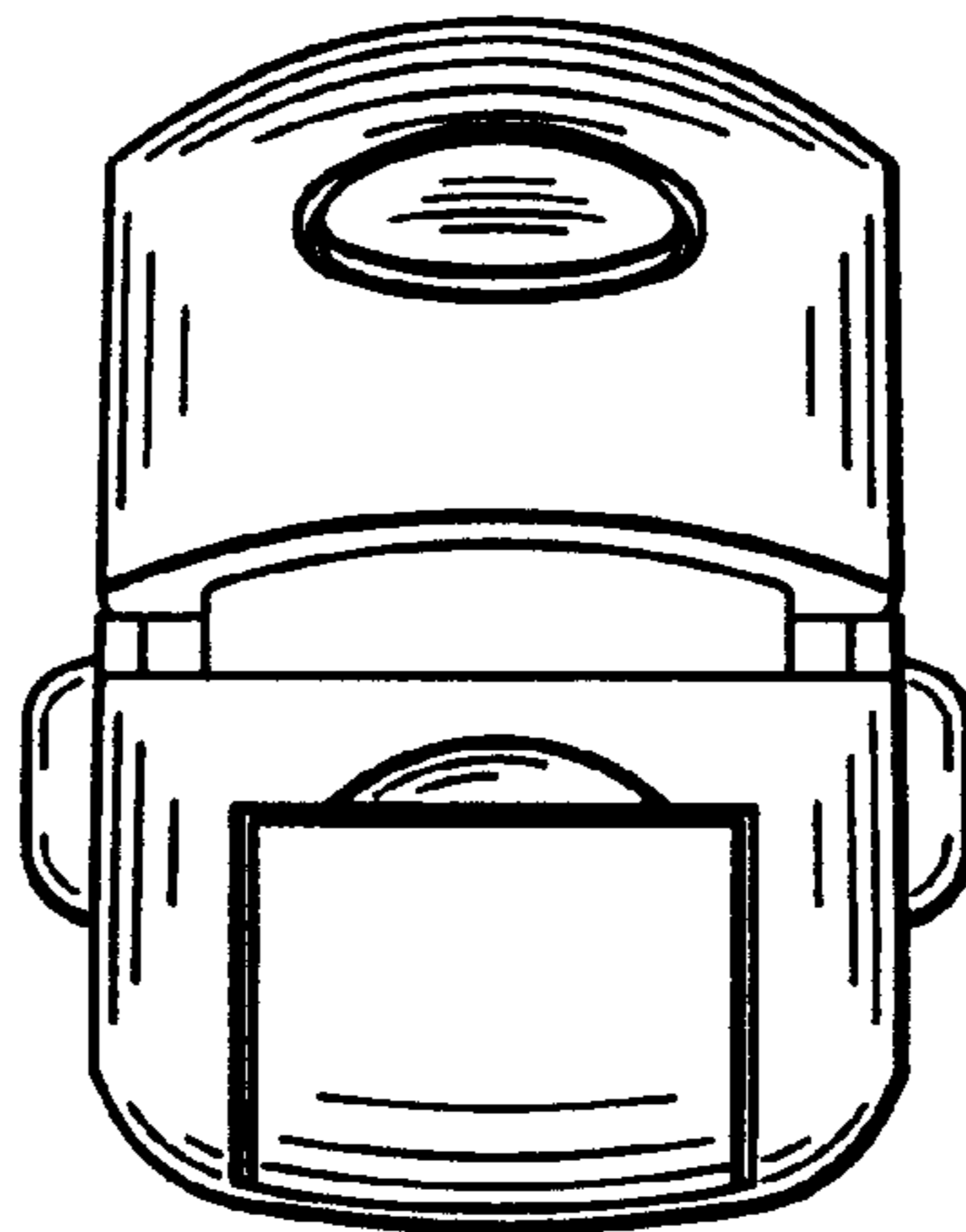


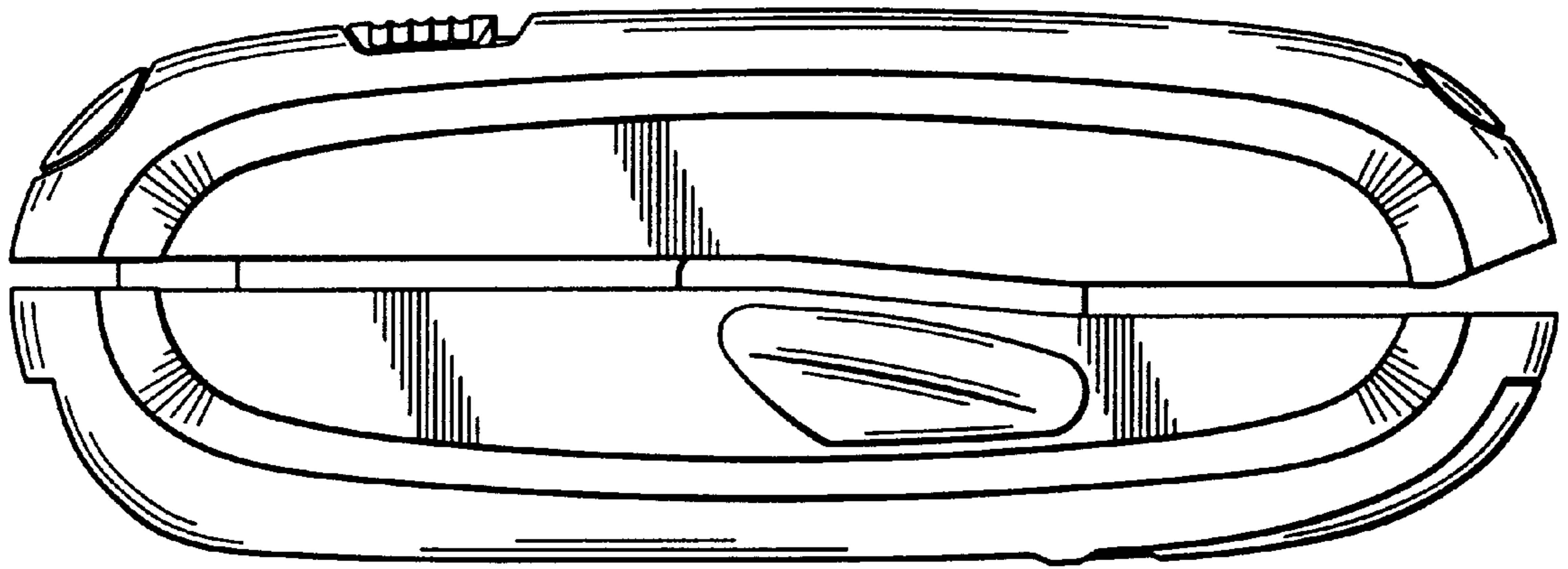
Fig. 4



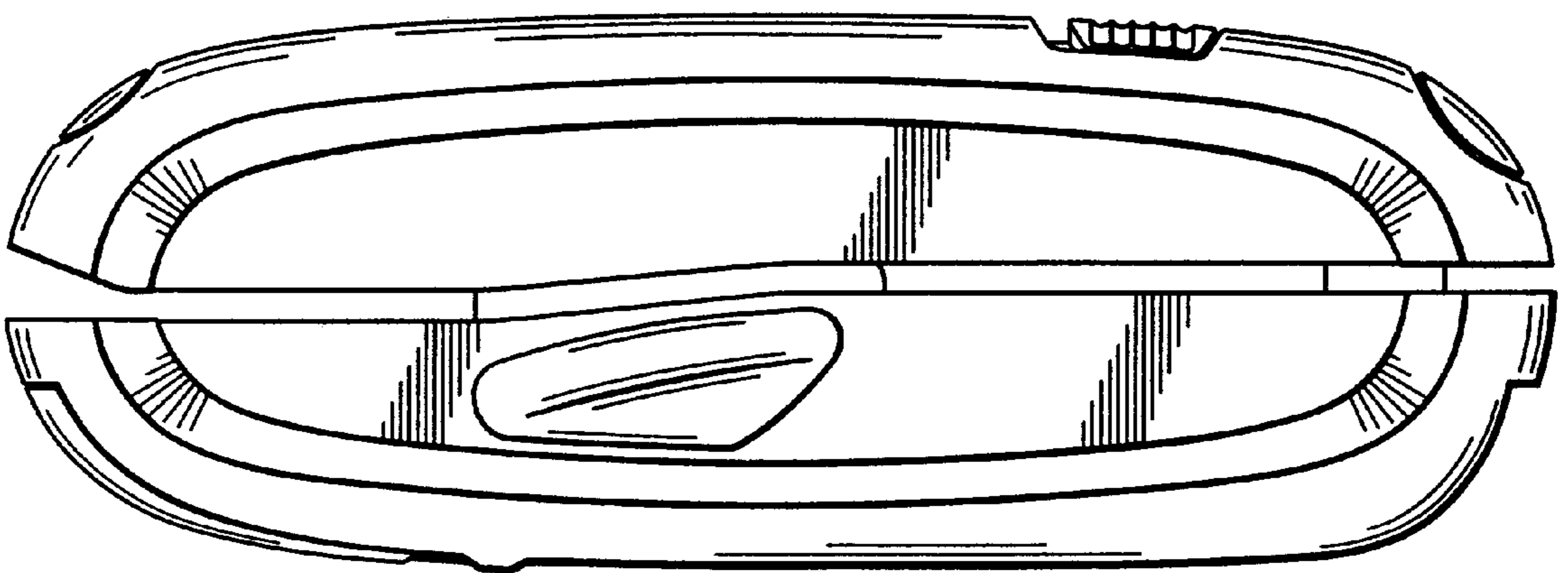
*Fig. 5*



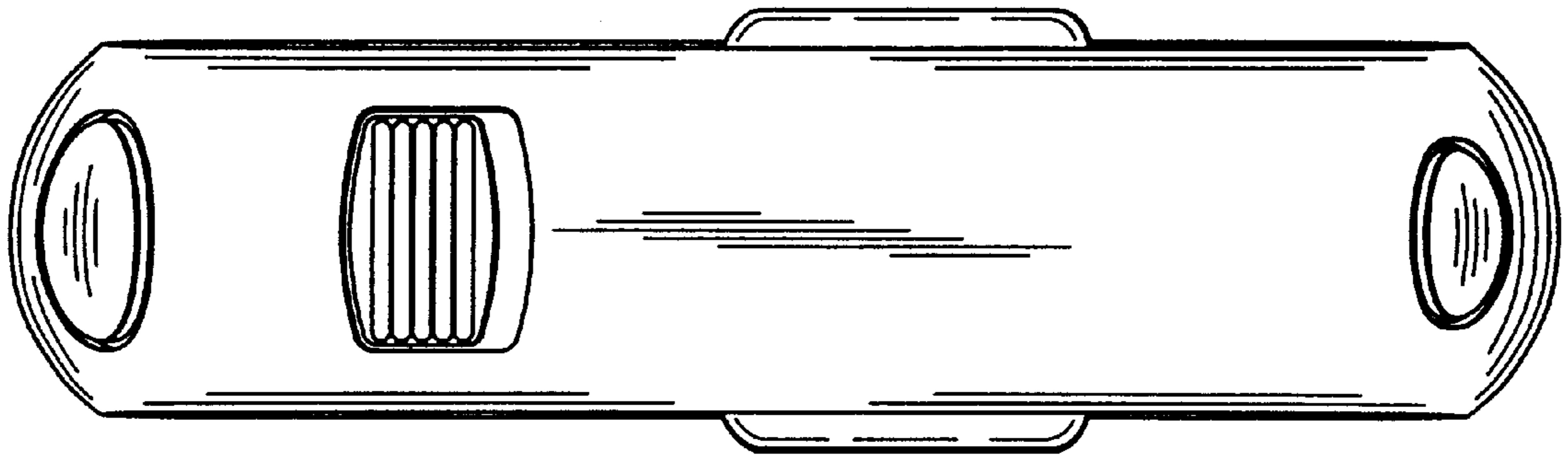
*Fig. 6*



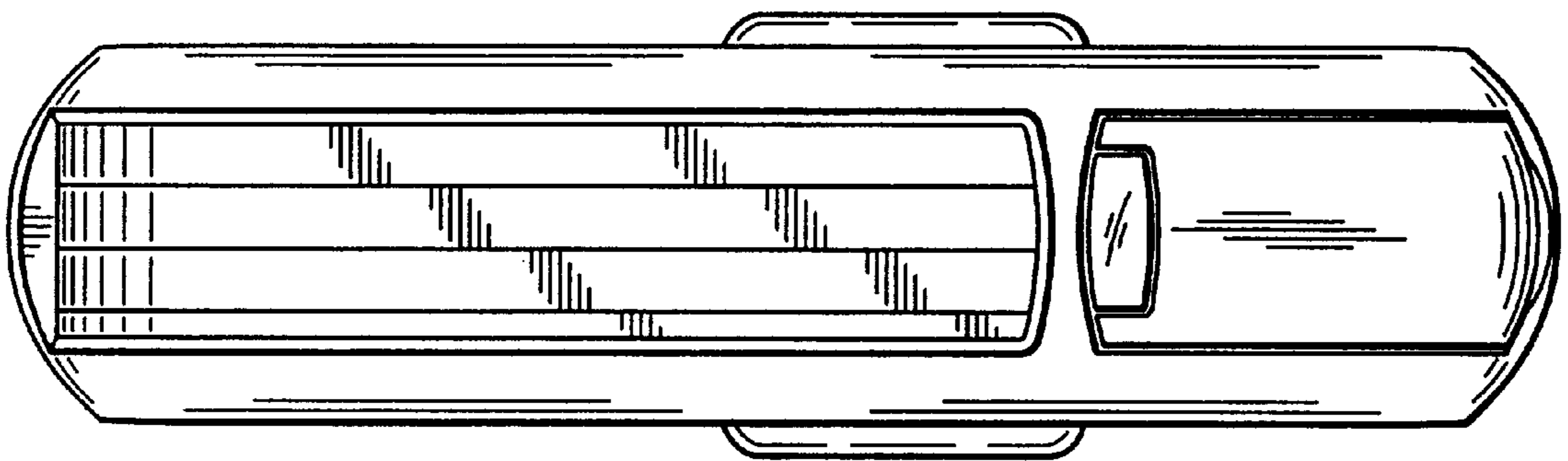
*Fig. 7*



*Fig. 8*



*Fig. 9*



*Fig. 10*