



US00D472927S

(12) **United States Design Patent**
Pellissa Beneyto

(10) **Patent No.:** **US D472,927 S**

(45) **Date of Patent:** **** Apr. 8, 2003**

(54) **WRITING INSTRUMENT**

(75) Inventor: **Ferran Pellissa Beneyto**, Celra (ES)

(73) Assignee: **Inoxcrom, S.A.**, Barcelona (ES)

(*) Notice: This patent is subject to a terminal disclaimer.

(**) Term: **14 Years**

(21) Appl. No.: **29/154,941**

(22) Filed: **Nov. 13, 2001**

(51) **LOC (7) Cl.** **19-06**

(52) **U.S. Cl.** **D19/51; D19/56**

(58) **Field of Search** D19/35, 36, 41-51,
D19/53-58, 81-85; 401/99, 100, 101, 103-106,
107-110, 111-117, 209, 71, 51

(56) **References Cited**

U.S. PATENT DOCUMENTS

2,108,441	A	*	2/1938	Maucher	401/71
2,680,426	A	*	6/1954	Kohut	401/51
D210,810	S	*	4/1968	Wakai	D19/51
3,664,753	A	*	5/1972	Minagawa	401/65

D399,874	S	*	10/1998	Gacia	D19/51
D404,765	S	*	1/1999	Izushima et al.	D19/51
D427,633	S	*	7/2000	Pellisa Beneyto	D19/51
D456,846	S	*	5/2002	Pellisa Beneyto	D19/51

* cited by examiner

Primary Examiner—Martie K. Holtje

(74) *Attorney, Agent, or Firm*—Michael J. Striker

(57) **CLAIM**

The ornamental design for a writing instrument, as shown and described.

DESCRIPTION

FIG. 1 is a front view of a writing instrument showing my new design;

FIG. 2 is a rear view thereof;

FIG. 3 is a side view thereof which is a mirror image of the opposite side thereof;

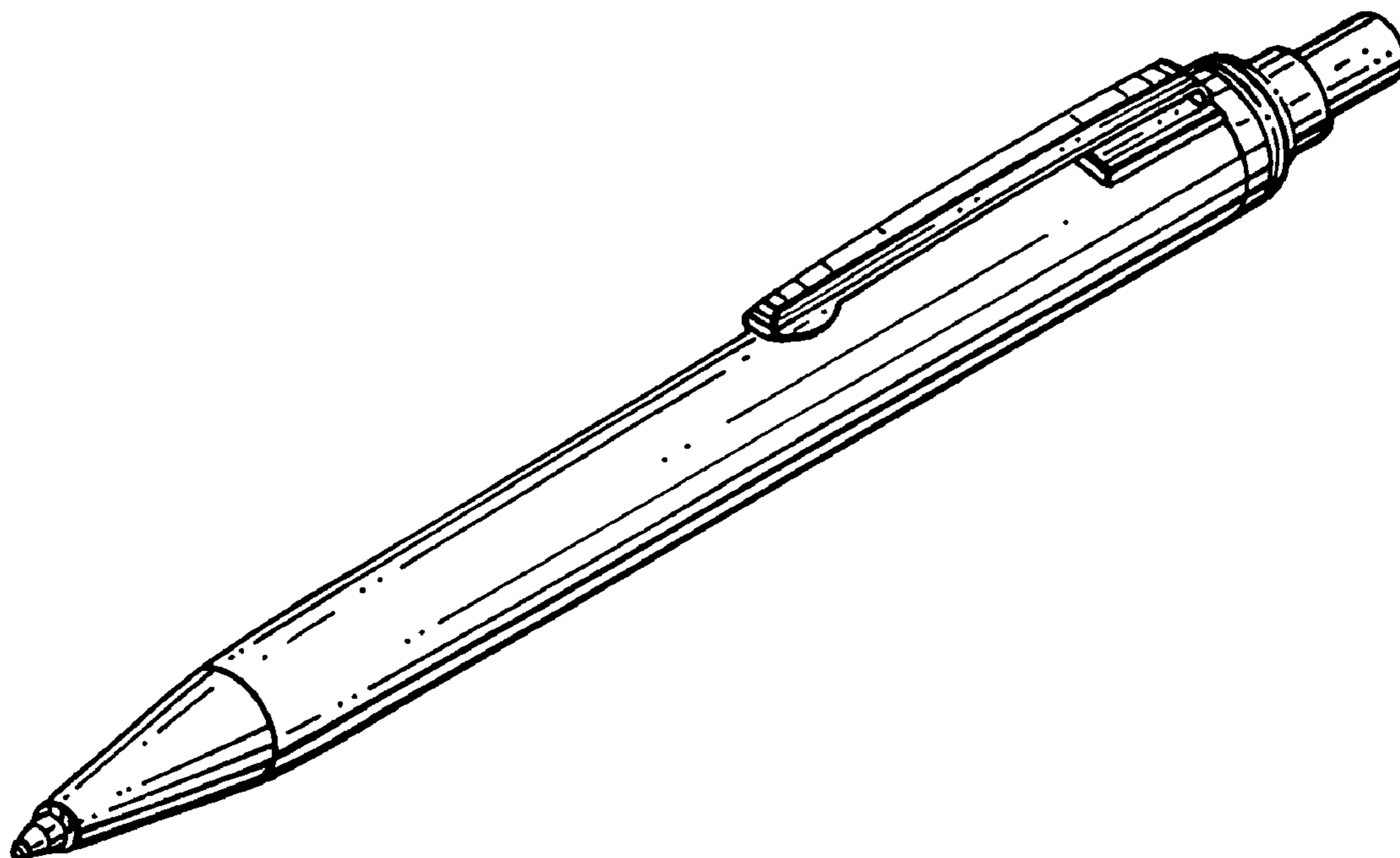
FIG. 4 is a top view thereof;

FIG. 5 is a bottom view thereof;

FIG. 6 is a perspective view thereof which is a mirror image of the opposite perspective view thereof; and,

FIG. 7 is a perspective view thereof which is a mirror image of the opposite perspective view thereof.

1 Claim, 2 Drawing Sheets



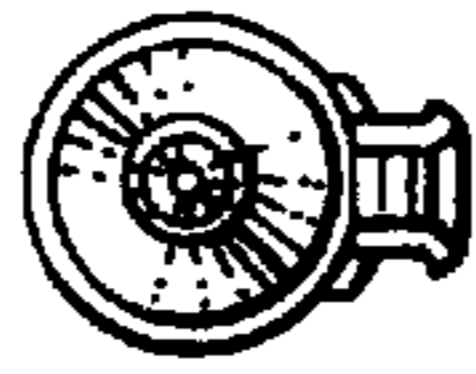


FIG. 5

FIG. 1

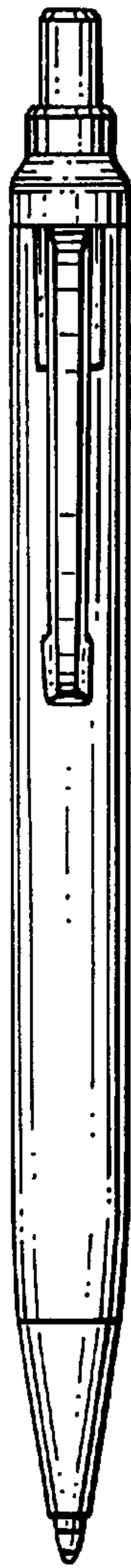


FIG. 2

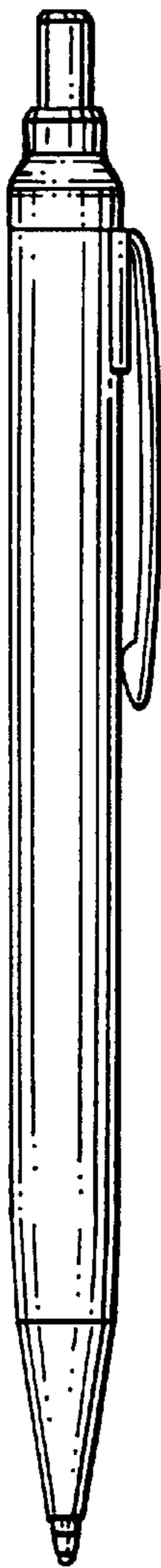


FIG. 3

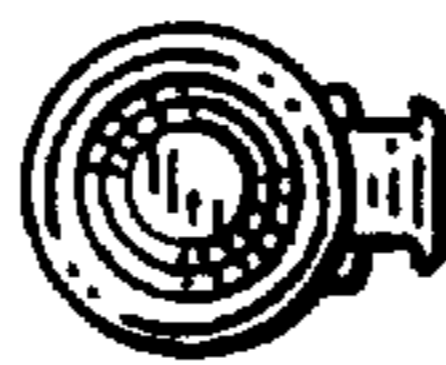


FIG. 4

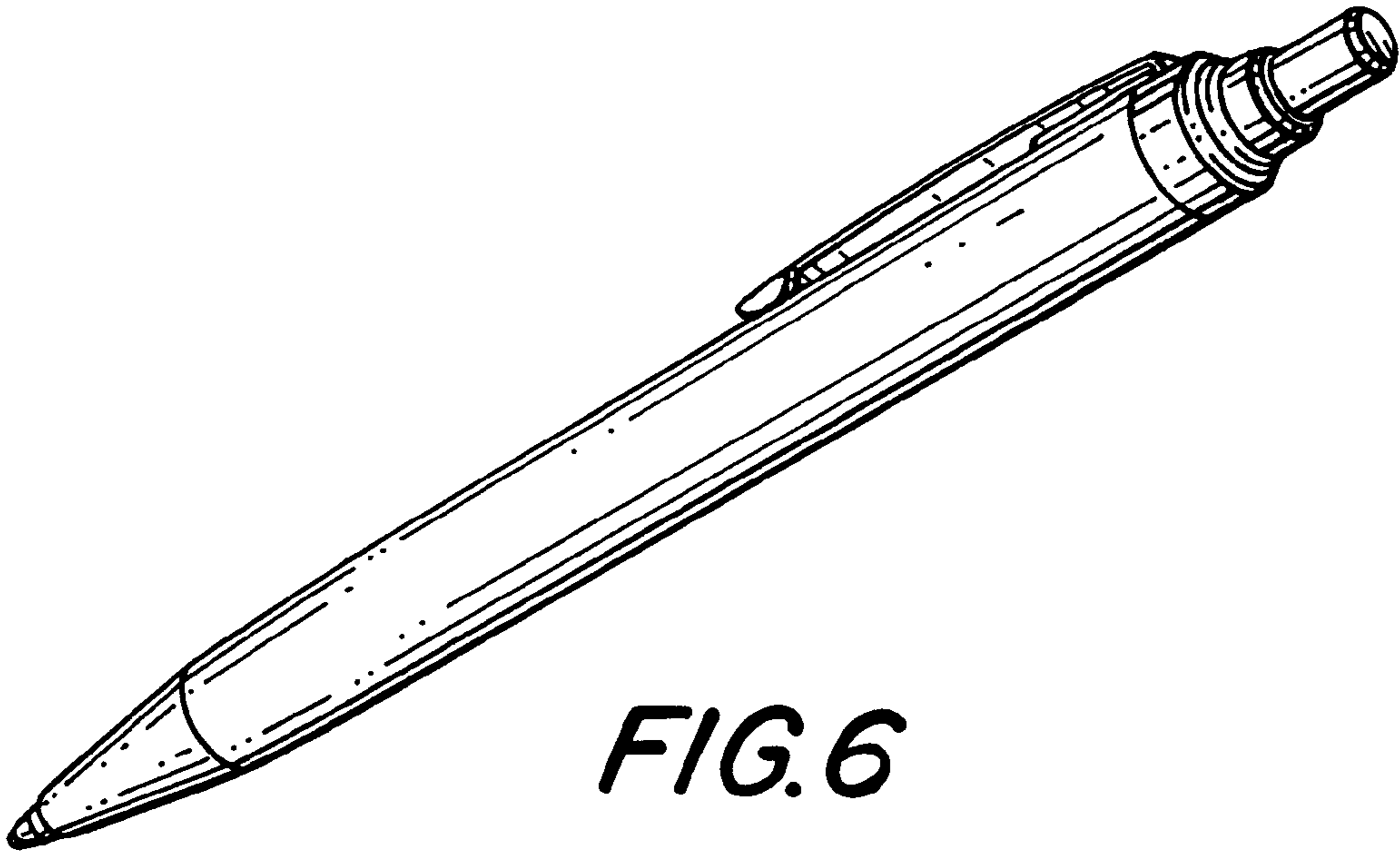


FIG. 6

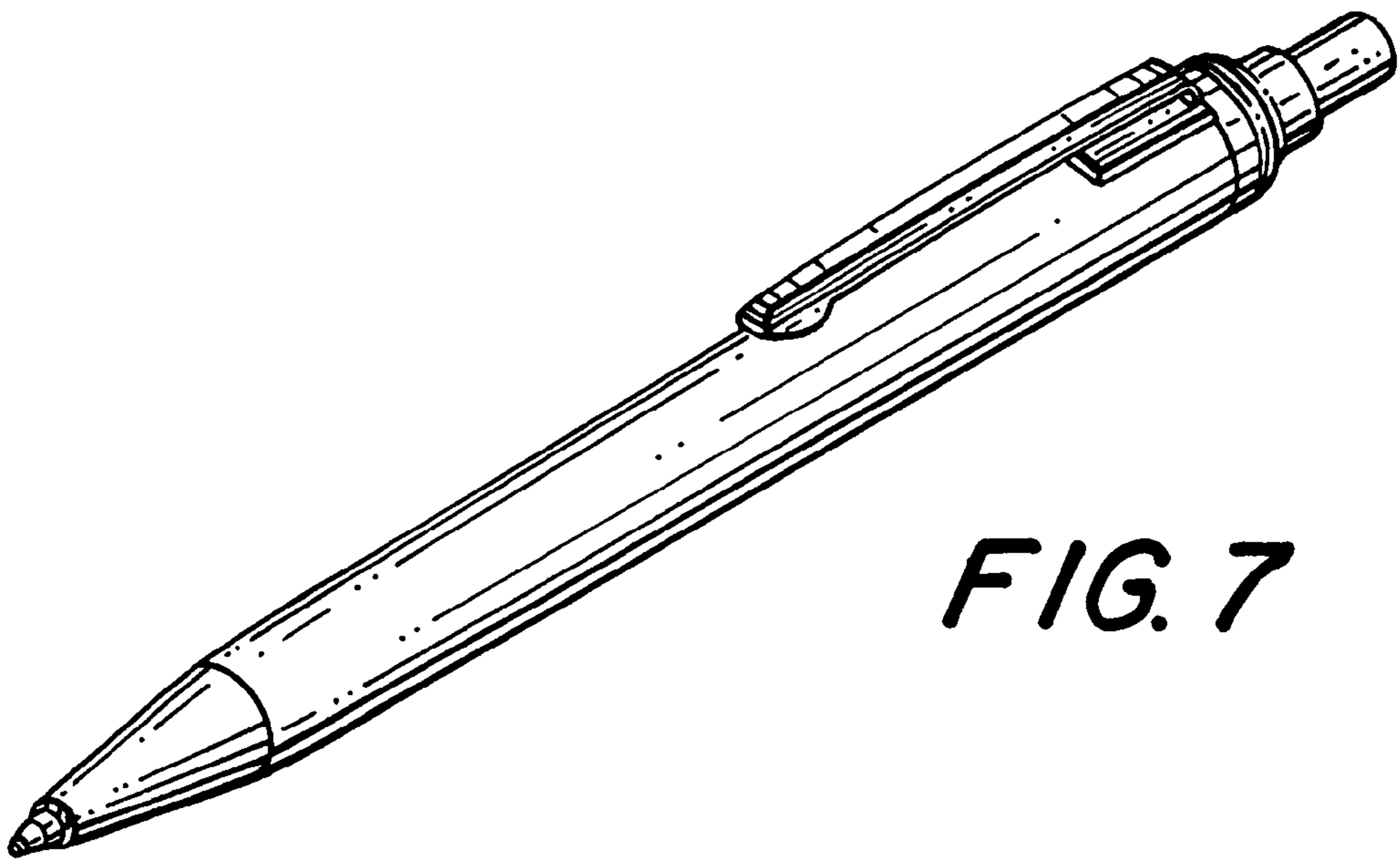


FIG. 7