



US00D472920S

(12) **United States Design Patent**
Ueno

(10) **Patent No.:** **US D472,920 S**

(45) **Date of Patent:** **** Apr. 8, 2003**

(54) **INK BOTTLE**

(75) **Inventor:** **Fumihiko Ueno, Hachioji (JP)**

(73) **Assignee:** **Olympus Optical Co., Ltd., Tokyo (JP)**

(**) **Term:** **14 Years**

(21) **Appl. No.:** **29/158,373**

(22) **Filed:** **Apr. 3, 2002**

(30) **Foreign Application Priority Data**

Jan. 11, 2002	(JP)	2002-000611
Jan. 11, 2002	(JP)	2002-000612
Jan. 11, 2002	(JP)	2002-000613

(51) **LOC (7) Cl.** **18-02**

(52) **U.S. Cl.** **D18/56**

(58) **Field of Search** D18/56, 43; 347/86,
347/87; D9/521, 524; 399/262

(56) **References Cited**

U.S. PATENT DOCUMENTS

D326,228	S	*	5/1992	Stratford et al.	D9/521
D368,275	S	*	3/1996	Sakurai et al.	D18/56
D408,445	S	*	4/1999	Schwallie et al.	D18/43
D408,846	S	*	4/1999	Schwallie et al.	D18/43
D417,233	S	*	11/1999	Sabonis	D18/56

D424,611	S	*	5/2000	Gasvoda et al.	D18/56
D425,554	S	*	5/2000	Gasvoda et al.	D18/56
6,164,743	A	*	12/2000	Hmelar et al.	347/86
6,296,353	B1	*	10/2001	Thielman et al.	347/86

* cited by examiner

Primary Examiner—Cathy Anne MacCormac

(74) *Attorney, Agent, or Firm*—Hogan & Hartson, LLP

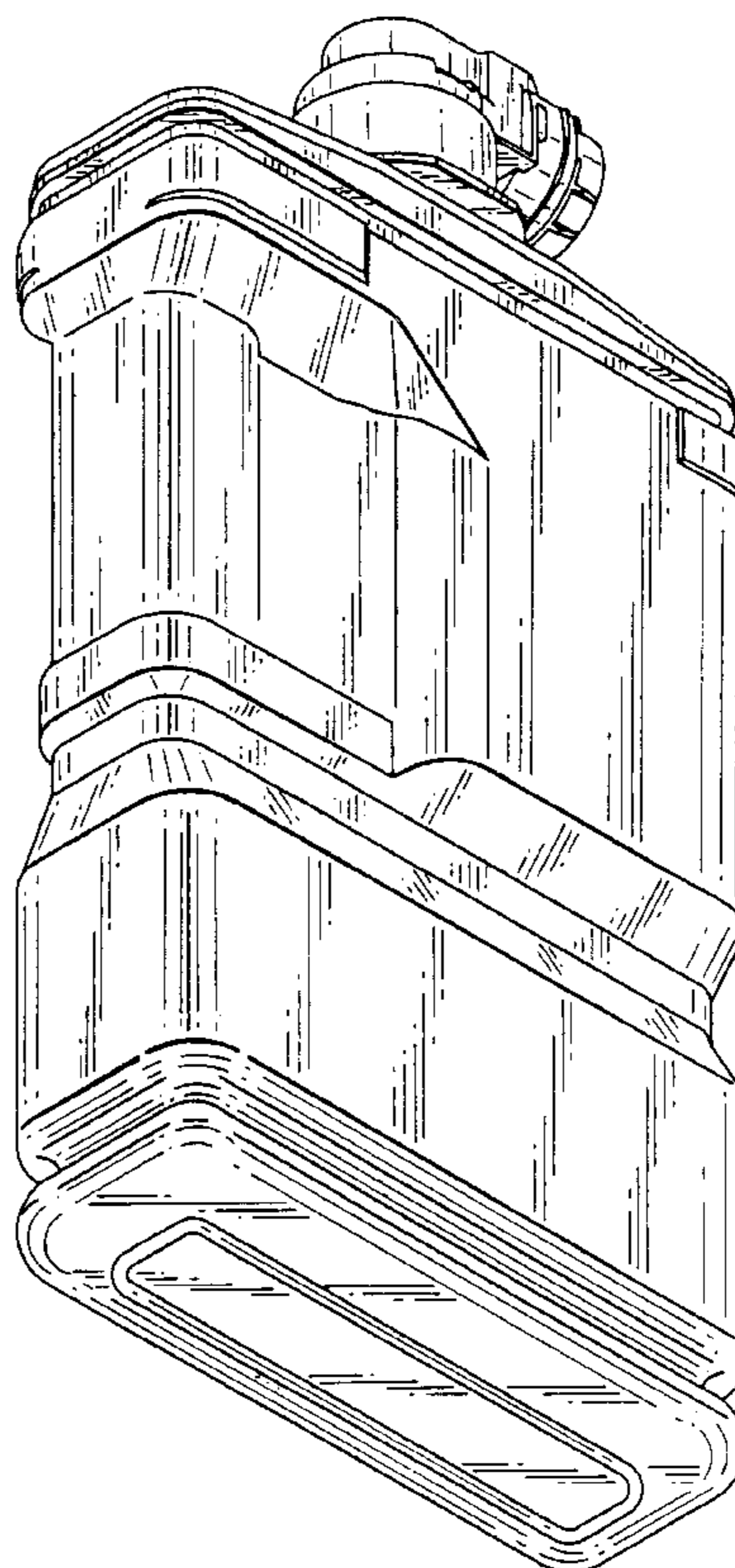
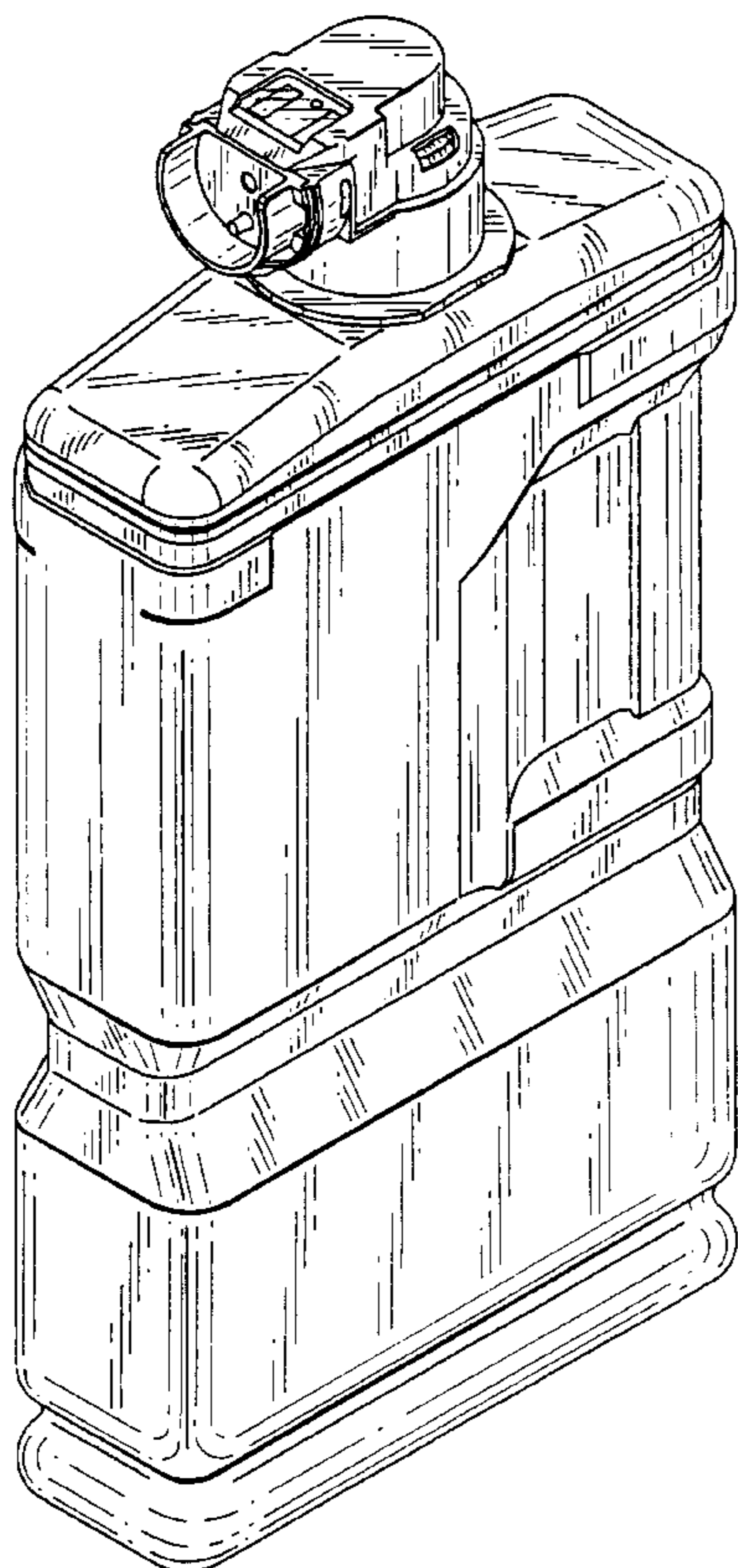
(57) **CLAIM**

The ornamental design for an ink bottle, as shown and described.

DESCRIPTION

FIG. 1 is a front, top and left side perspective view of an ink bottle, showing my new design;
 FIG. 2 is a top plan view thereof;
 FIG. 3 is a left side elevational view thereof;
 FIG. 4 is a rear, bottom and right side perspective view thereof;
 FIG. 5 is a right side elevational view thereof;
 FIG. 6 is a bottom plan view thereof;
 FIG. 7 is a front elevational view thereof, the rear being a mirror image thereof; and,
 FIG. 8 is a cross-sectional view thereof, taken on line 8—8 of FIG. 2.

1 Claim, 4 Drawing Sheets



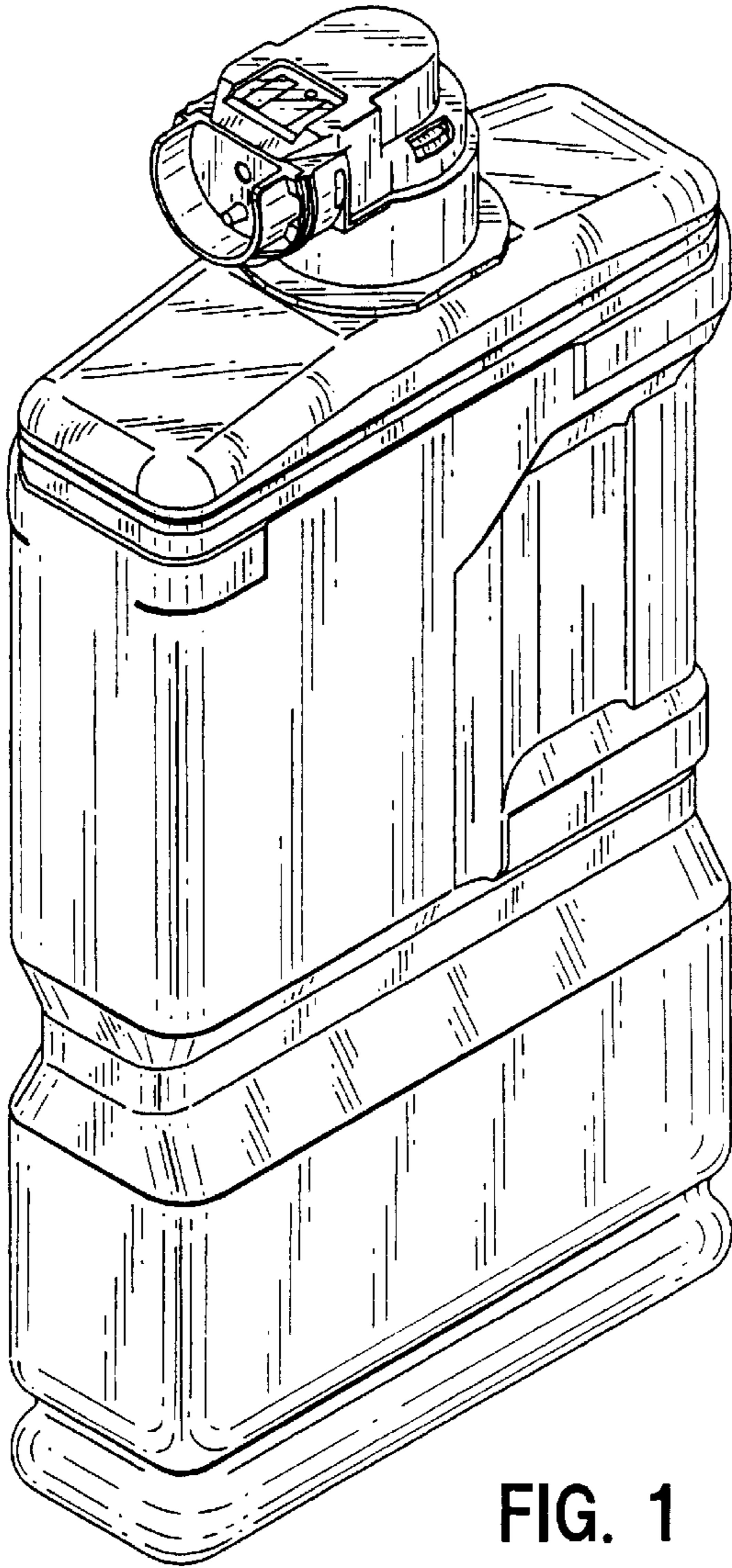


FIG. 1

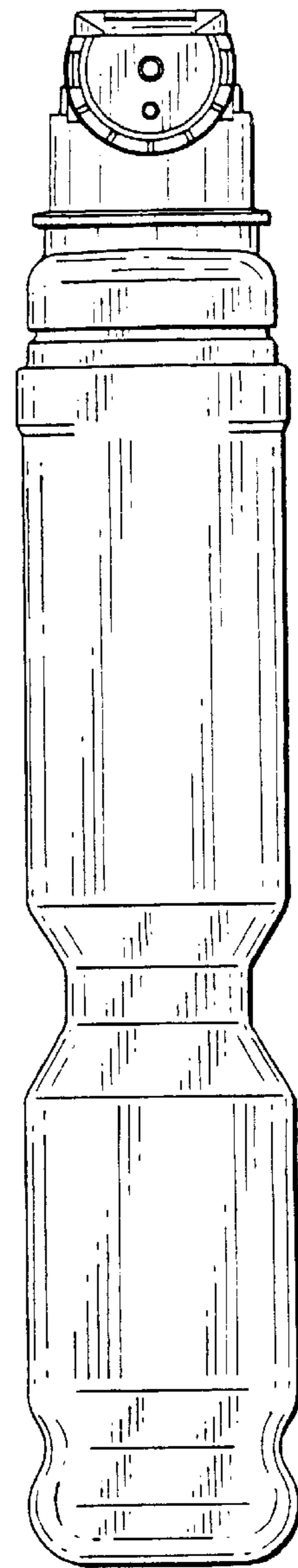


FIG. 3

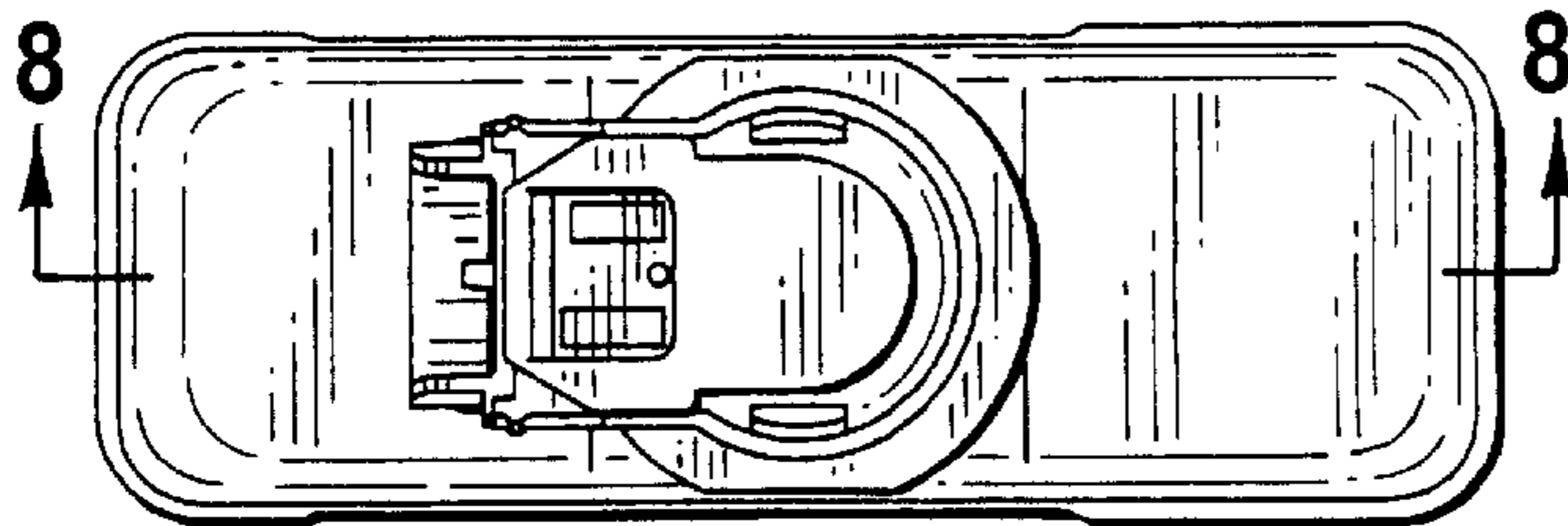


FIG. 2

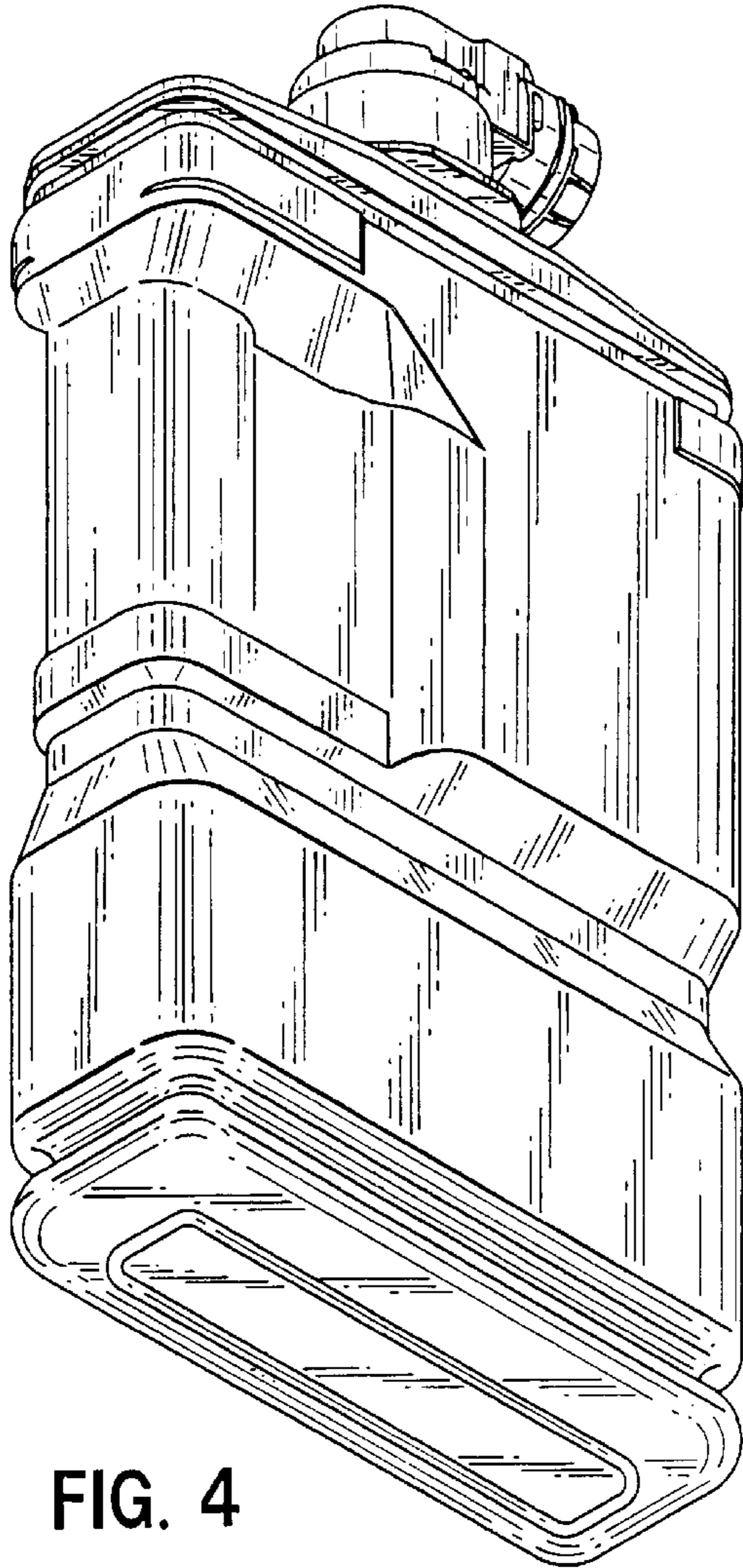


FIG. 4

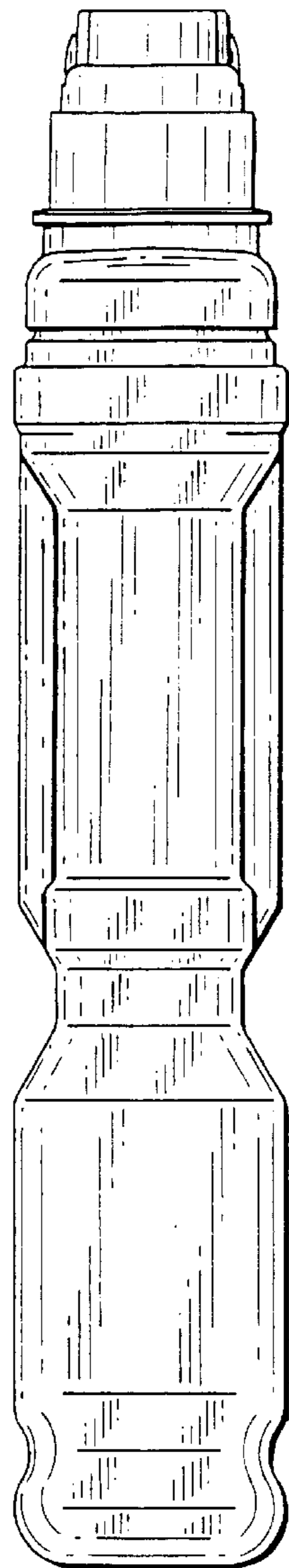


FIG. 5

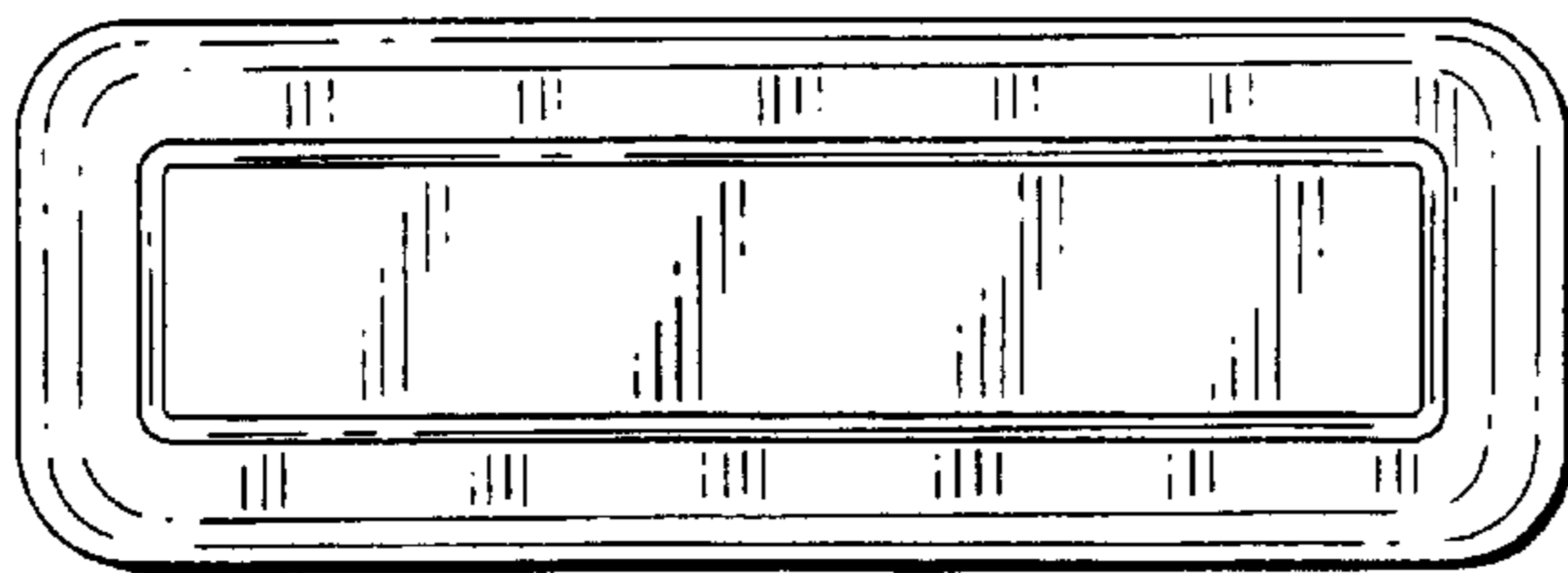


FIG. 6

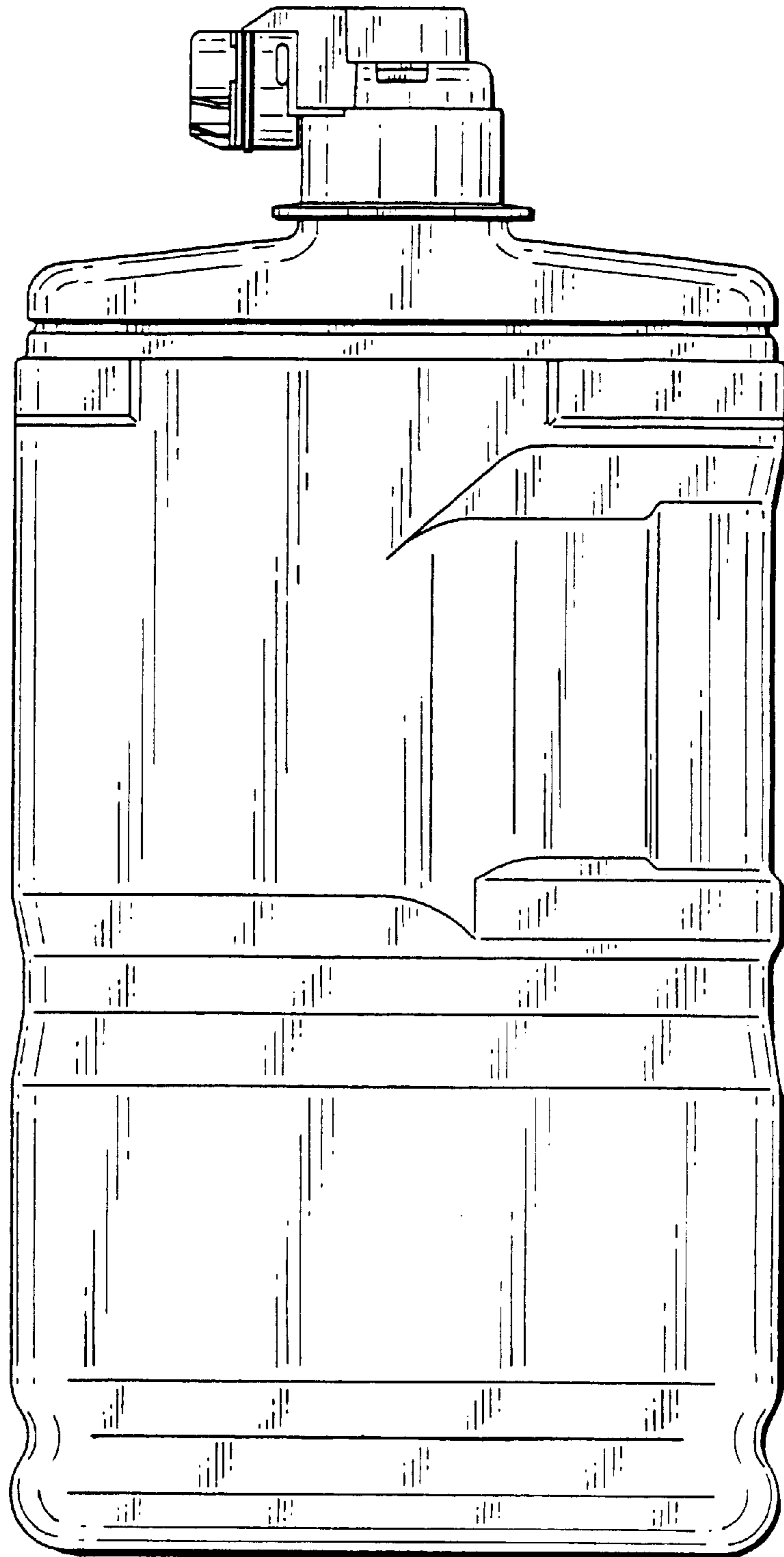


FIG. 7

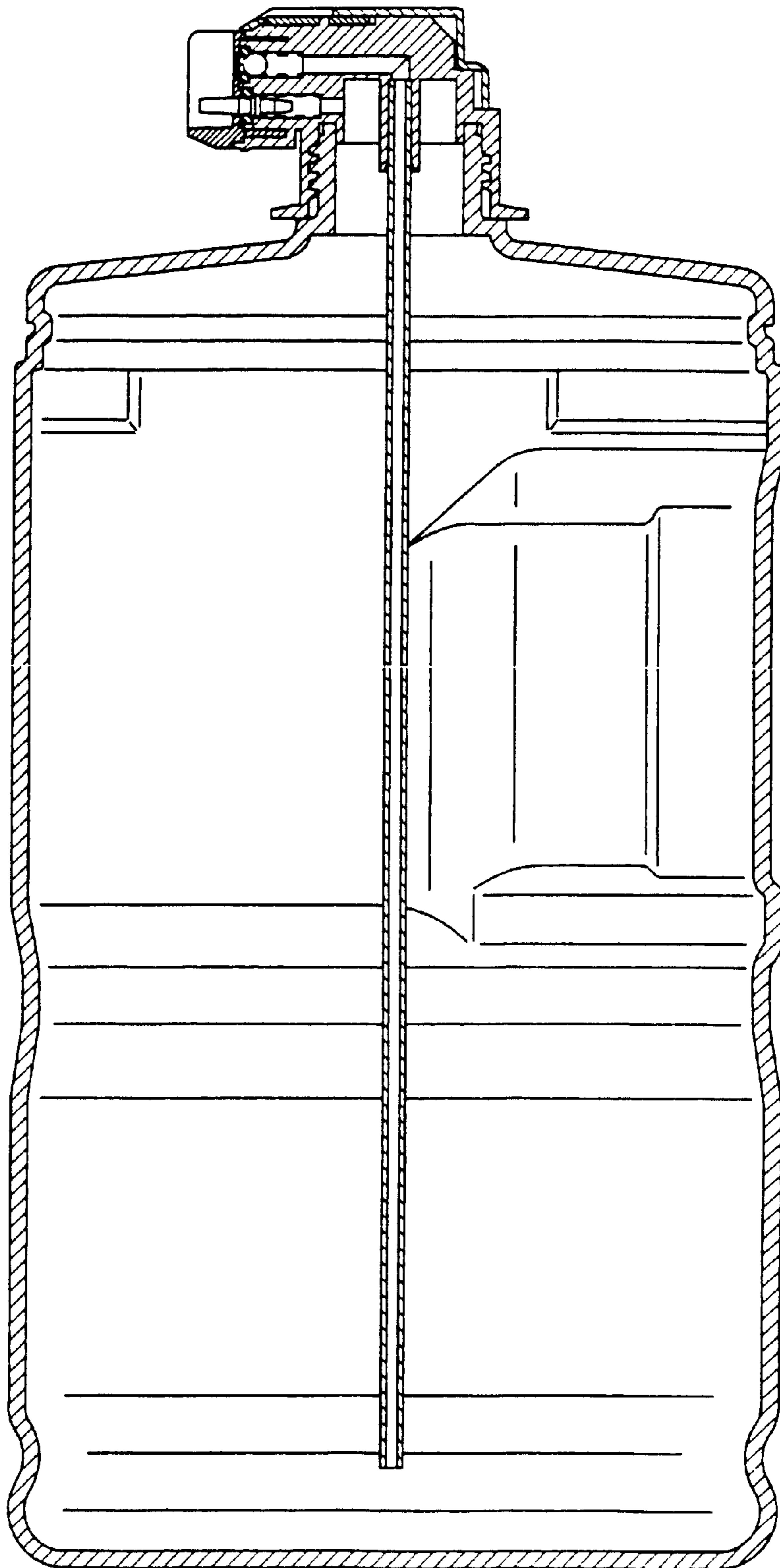


FIG. 8