



US00D472919S

(12) **United States Design Patent**
Shimizu et al.

(10) **Patent No.:** **US D472,919 S**

(45) **Date of Patent:** **** Apr. 8, 2003**

(54) **INK TANK FOR INK JET RECORDING APPARATUS**

(75) Inventors: **Eiichiro Shimizu**, Yokohama (JP);
Hiroshi Koshikawa, Kawasaki (JP);
Masanori Takenouchi, Yokohama (JP)

(73) Assignee: **Canon Kabushiki Kaisha**, Tokyo (JP)

(**) Term: **14 Years**

(21) Appl. No.: **29/157,623**

(22) Filed: **Mar. 25, 2002**

(30) **Foreign Application Priority Data**

Sep. 27, 2001 (JP) 2001-028184

(51) **LOC (7) Cl.** **18-02**

(52) **U.S. Cl.** **D18/56; 347/86**

(58) **Field of Search** **D18/56, 43; 347/86, 347/87, 33, 99, 50**

(56) **References Cited**

U.S. PATENT DOCUMENTS

D371,160 S	6/1996	Kotaki et al.	D18/56
D371,803 S	7/1996	Kawashima et al.	D18/56
D371,804 S	7/1996	Kotaki et al.	D18/56
D372,045 S	7/1996	Tokuda et al.	D18/56
D372,265 S	7/1996	Tokuda et al.	D18/56
D372,266 S	7/1996	Tokuda et al.	D18/56
D372,267 S	7/1996	Tokuda et al.	D18/56
D372,494 S	8/1996	Tokuda et al.	D18/56
D373,138 S	8/1996	Tokuda et al.	D18/56
D374,890 S	10/1996	Tokuda et al.	D18/56
D375,120 S	10/1996	Kotaki et al.	D18/56
D375,521 S	11/1996	Tokuda et al.	D18/56
D375,522 S	11/1996	Tokuda et al.	D18/56
D375,755 S	11/1996	Tokuda et al.	D18/56
D376,172 S	12/1996	Takenouchi et al.	D18/56
D376,173 S	12/1996	Tokuda et al.	D18/56

D376,174 S	12/1996	Tokuda et al.	D18/56
D377,371 S	1/1997	Tokuda et al.	D18/56
D378,758 S	4/1997	Tokuda et al.	D18/56
D381,681 S	7/1997	Takenouchi et al.	D18/56
D395,445 S	6/1998	Tokuda et al.	D18/56
D402,687 S	* 12/1998	Sabonis	D18/56
D424,612 S	* 5/2000	Inoue et al.	D18/56
D437,611 S	* 2/2001	Gassett et al.	D18/56
D438,560 S	* 3/2001	Inoue et al.	D18/56
D443,639 S	* 6/2001	Chou et al.	D18/56
6,250,750 B1	* 6/2001	Miyazawa et al.	347/87
6,276,789 B1	* 8/2001	Miyazaki et al.	347/86
6,286,949 B1	* 9/2001	Lewis et al.	347/86
6,312,116 B2	* 11/2001	Underwood et al.	347/86
6,350,026 B1	* 2/2002	Lin	347/86
6,394,593 B1	* 5/2002	Komplin et al.	347/86
6,422,691 B2	* 7/2002	Kobayashi et al.	347/86

* cited by examiner

Primary Examiner—Cathy Anne MacCormac

(74) *Attorney, Agent, or Firm*—Fitzpatrick, Cella, Harper & Scinto

(57) **CLAIM**

The ornamental design for an ink tank for ink jet recording apparatus, as shown and described.

DESCRIPTION

FIG. 1 is a front view of an ink tank for ink jet recording apparatus showing our new design;
FIG. 2 is a rear view thereof;
FIG. 3 is a top plan view thereof;
FIG. 4 is a bottom plan view thereof;
FIG. 5 is a left side view thereof;
FIG. 6 is a right side view thereof; and,
FIG. 7 is a perspective view thereof.

The broken lines are for purposes of illustration only and form no part of the claimed design.

1 Claim, 5 Drawing Sheets

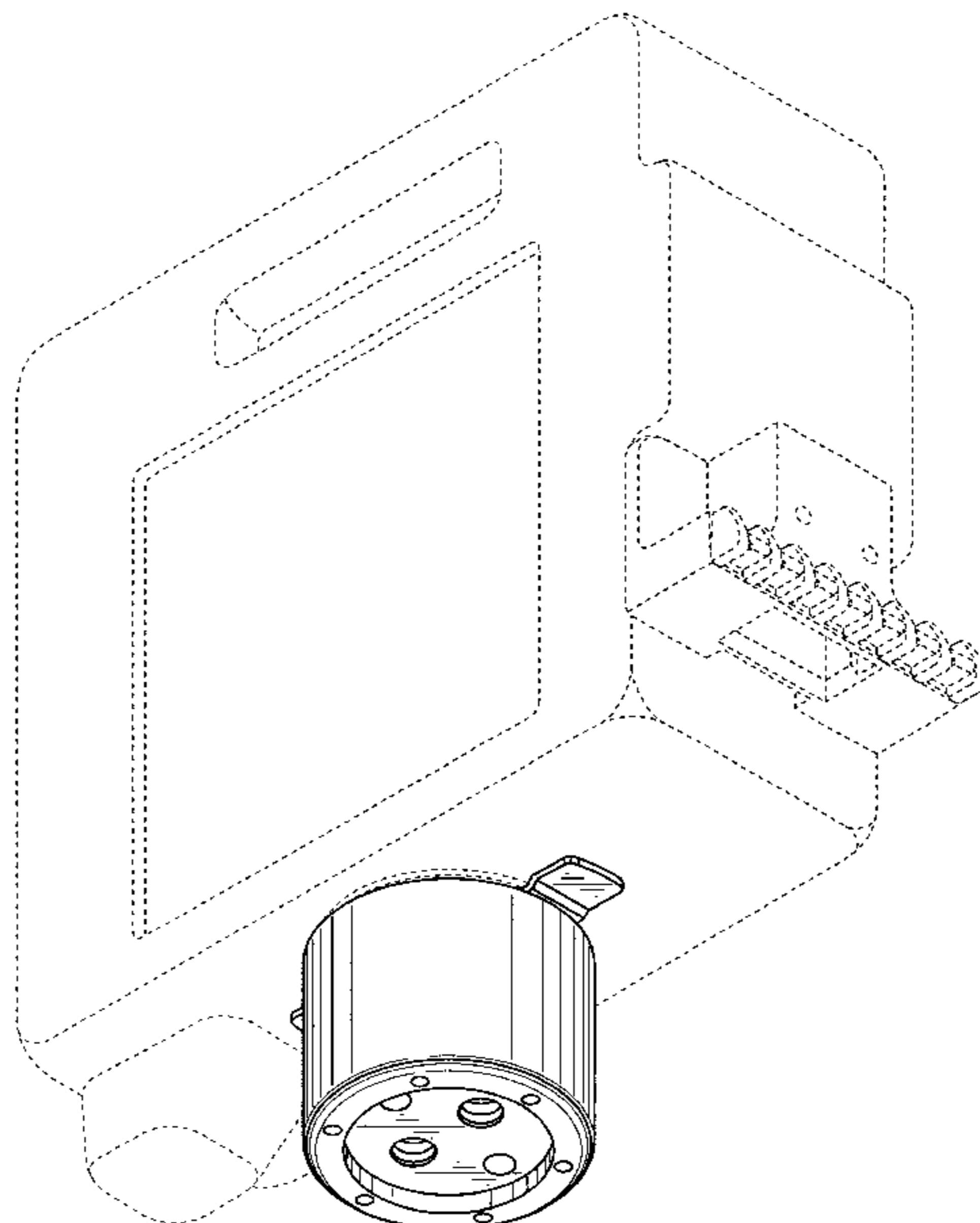


FIG. 1

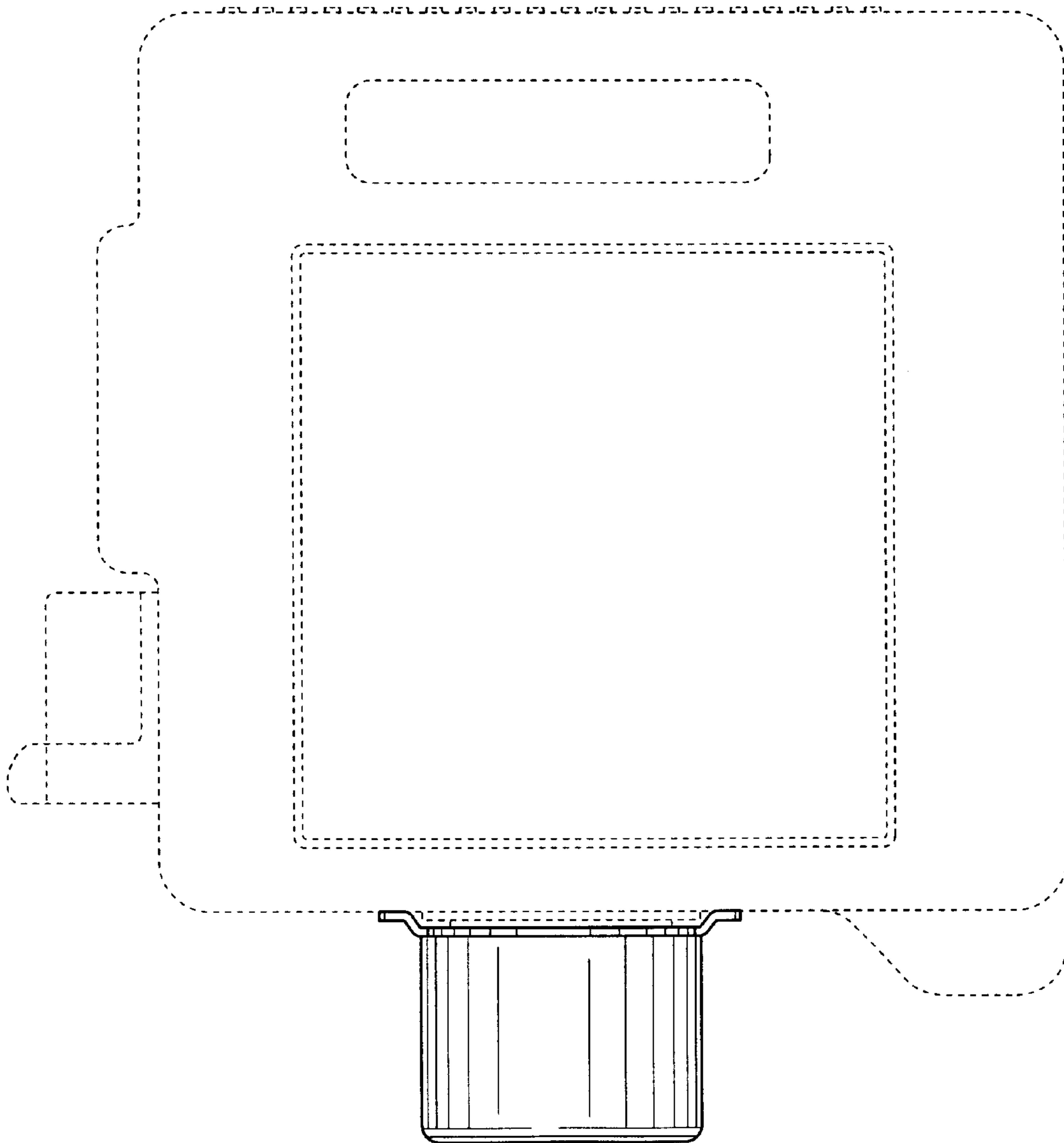


FIG. 2

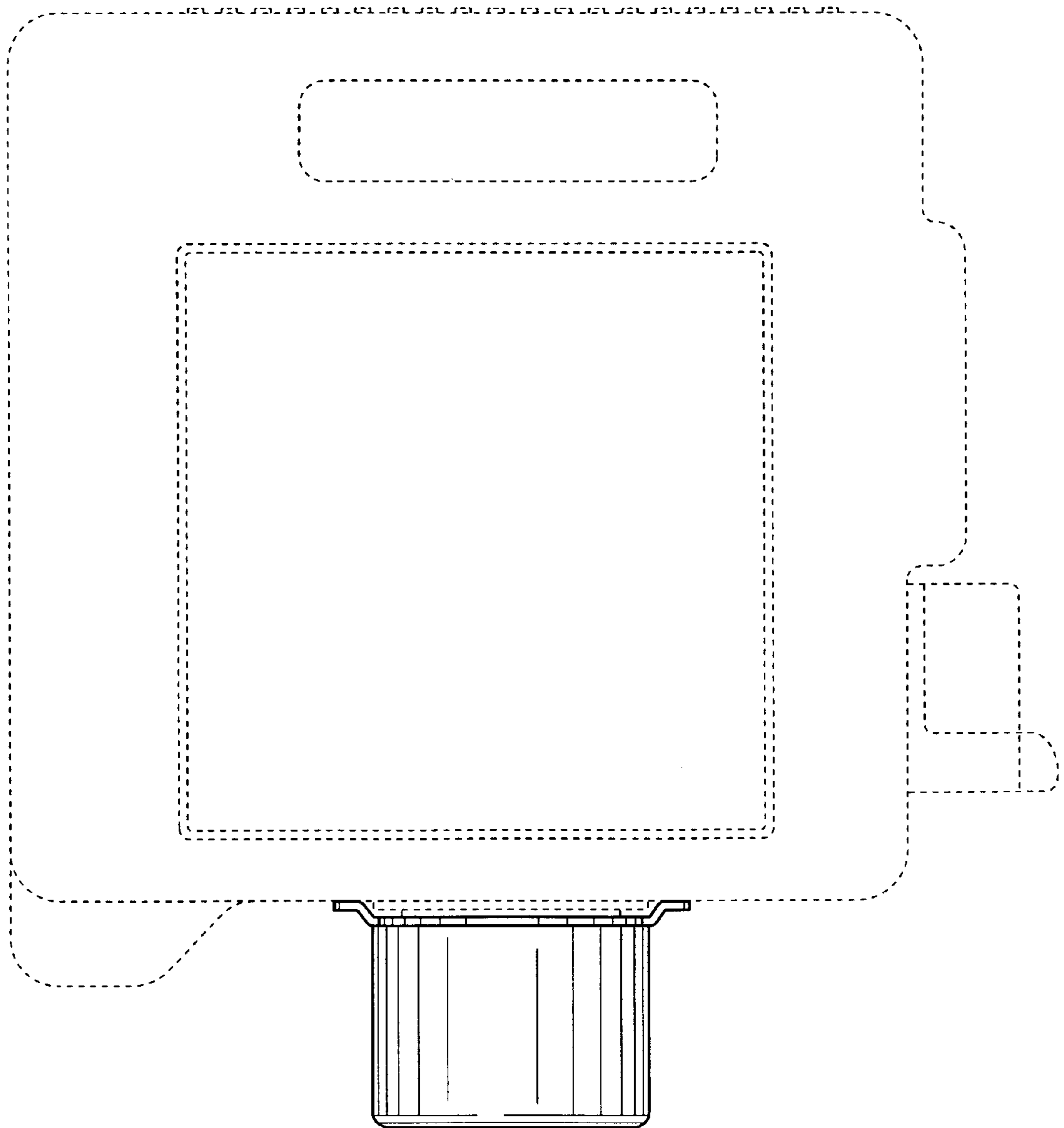


FIG. 3

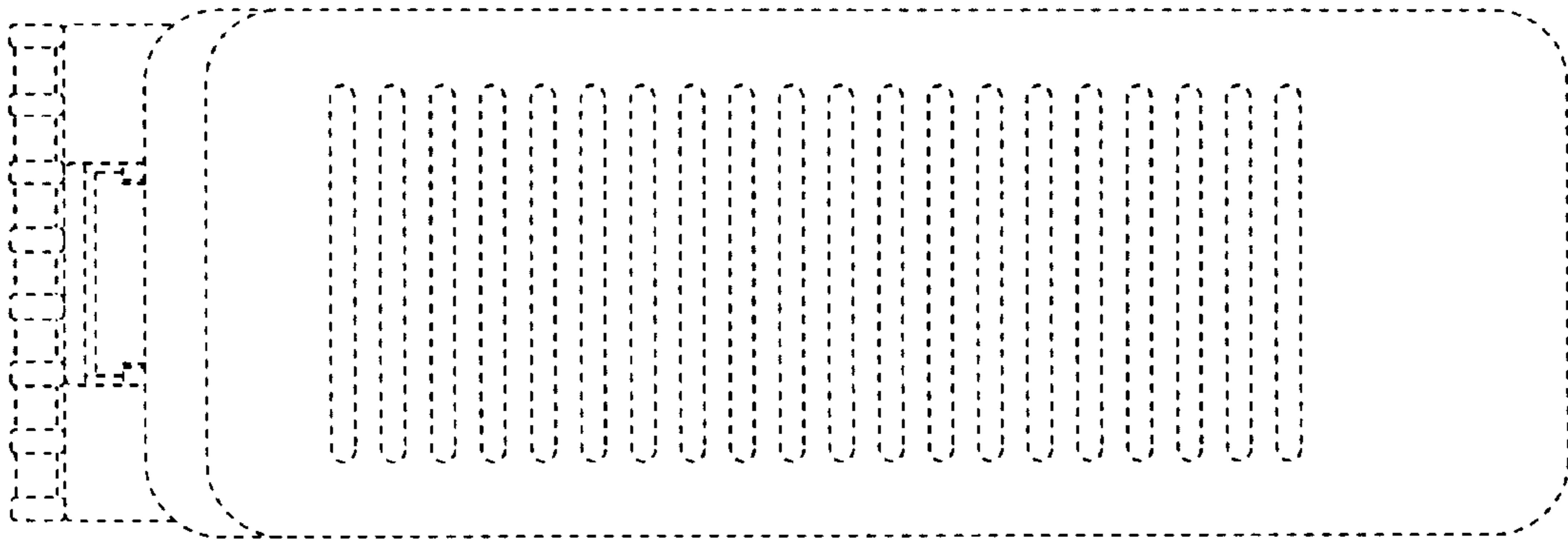


FIG. 4

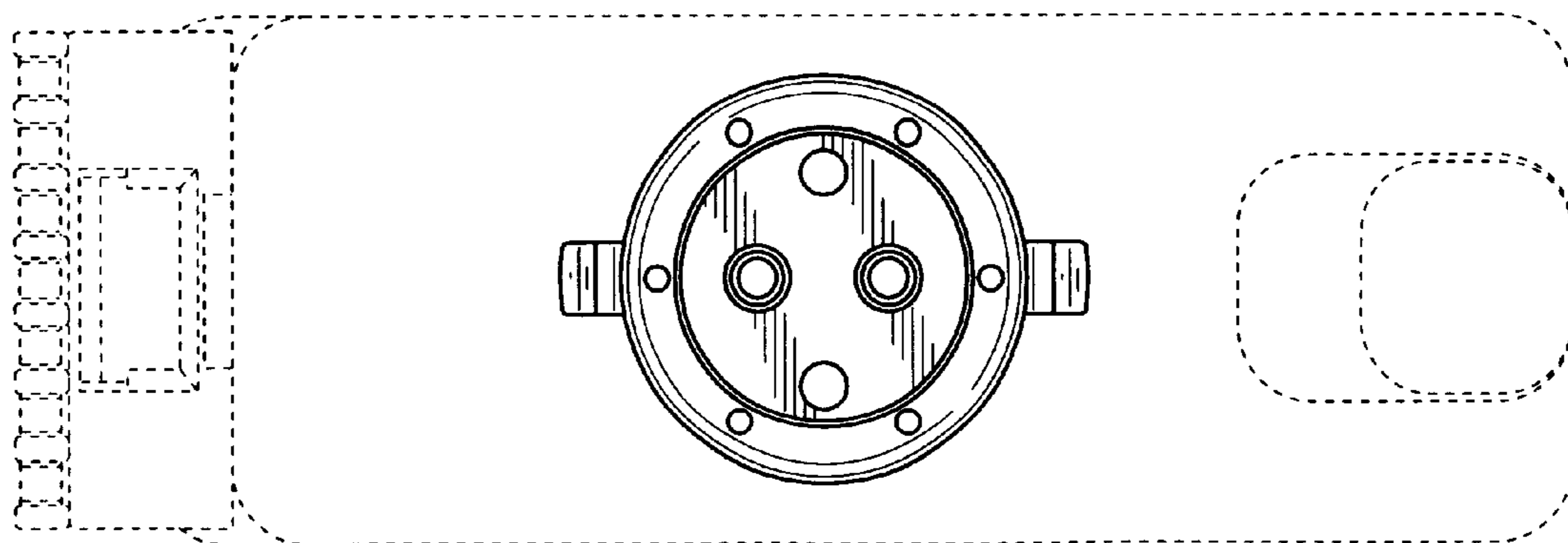


FIG. 5

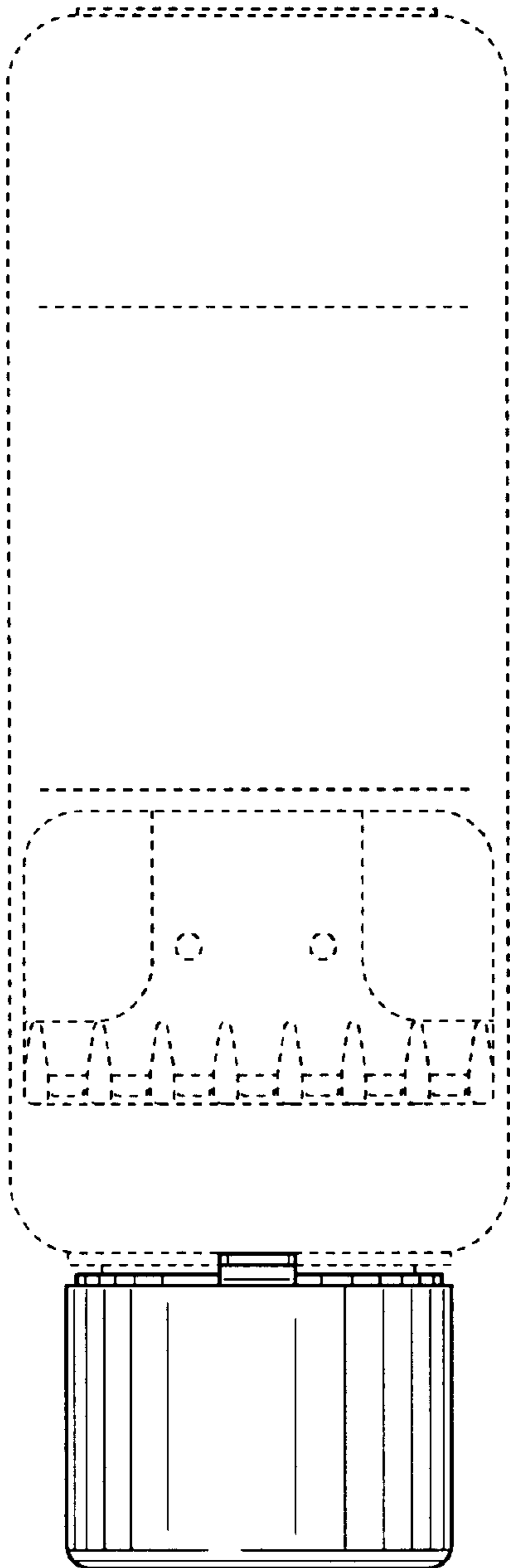


FIG. 6

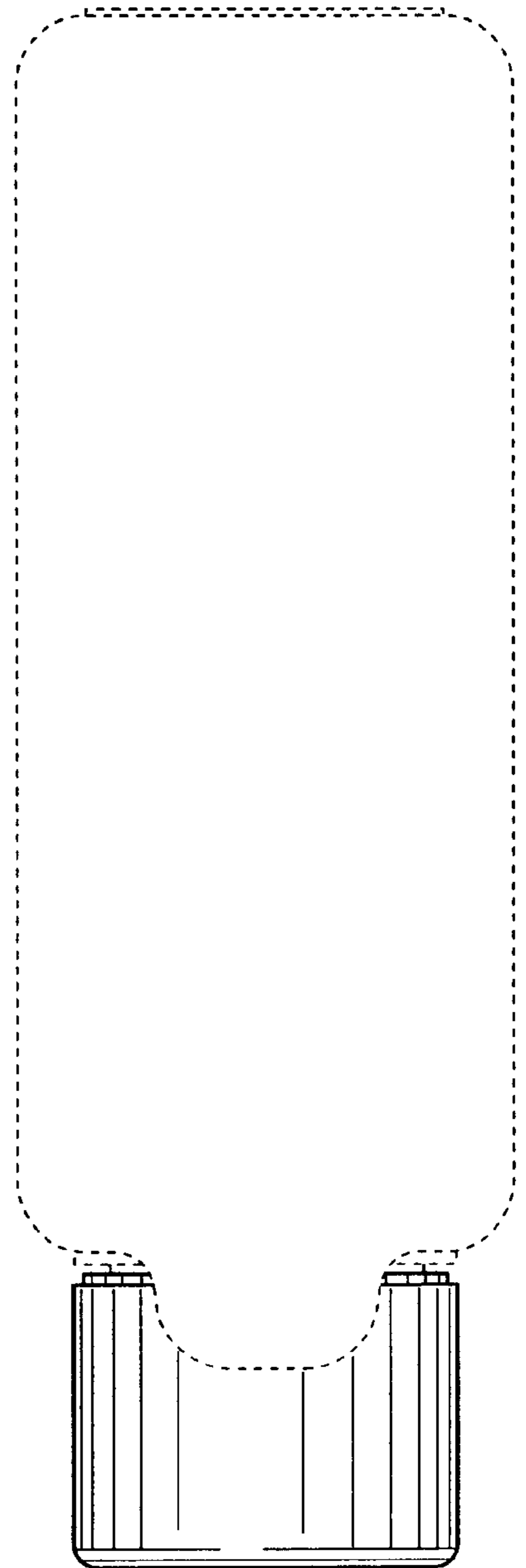


FIG. 7

