



US00D472918S

(12) **United States Design Patent**  
Ueno et al.

(10) Patent No.: **US D472,918 S**

(45) Date of Patent: **\*\* Apr. 8, 2003**

(54) **INK BOTTLE WITH A CAP**

(75) Inventors: **Fumihiko Ueno, Hachioji (JP); Noriko Yokoyama, Hachioji (JP)**

(73) Assignee: **Olympus Optical Co., Ltd., Tokyo (JP)**

(\*\*) Term: **14 Years**

(21) Appl. No.: **29/153,895**

(22) Filed: **Jan. 3, 2002**

(30) **Foreign Application Priority Data**

Jul. 5, 2001	(JP)	.....	2001-019724
Jul. 5, 2001	(JP)	.....	2001-019725
Jul. 5, 2001	(JP)	.....	2001-019726
Jul. 5, 2001	(JP)	.....	2001-019727

(51) **LOC (7) Cl.** ..... **18-02**

(52) **U.S. Cl.** ..... **D18/56**

(58) **Field of Search** ..... D18/56, 43; 347/86,  
347/87; D9/521, 524; 399/262

(56) **References Cited**

**U.S. PATENT DOCUMENTS**

D326,228	S	*	5/1992	Stratford et al.	.....	D9/521
D368,275	S	*	3/1996	Sakurai et al.	.....	D18/56
D408,445	S	*	4/1999	Schwallie et al.	.....	D18/43
D408,846	S	*	4/1999	Schwallie et al.	.....	D18/43

D417,233 S \* 11/1999 Sabonis ..... D18/56

D424,611 S \* 5/2000 Gasvoda et al. .... D18/56

D425,554 S \* 5/2000 Gasvoda et al. .... D18/56

6,164,743 A \* 12/2000 Hmelar et al. .... 347/86

6,296,353 B1 \* 10/2001 Thielman et al. .... 347/86

\* cited by examiner

*Primary Examiner*—Cathy Anne MacCormac

(74) *Attorney, Agent, or Firm*—Hogan & Hartson, LLP

(57) **CLAIM**

The ornamental design for an ink bottle with a cap, as shown and described.

**DESCRIPTION**

FIG. 1 is a front, top and left side perspective view of an ink bottle with a cap, showing our new design;

FIG. 2 is a rear, bottom and right side perspective view thereof;

FIG. 3 is a front elevational view thereof; the opposite side being a mirror image thereof;

FIG. 4 is a left side elevational view thereof;

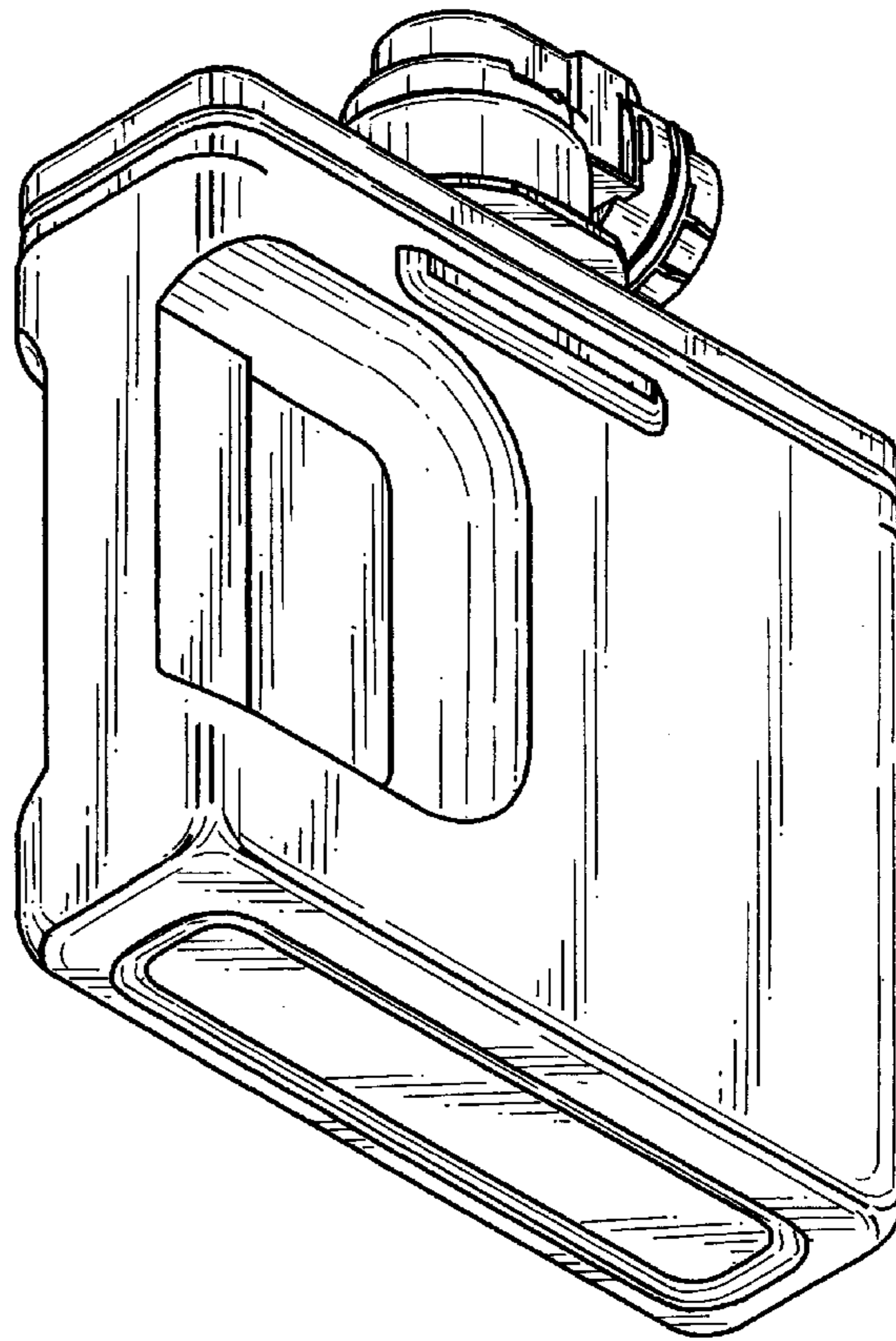
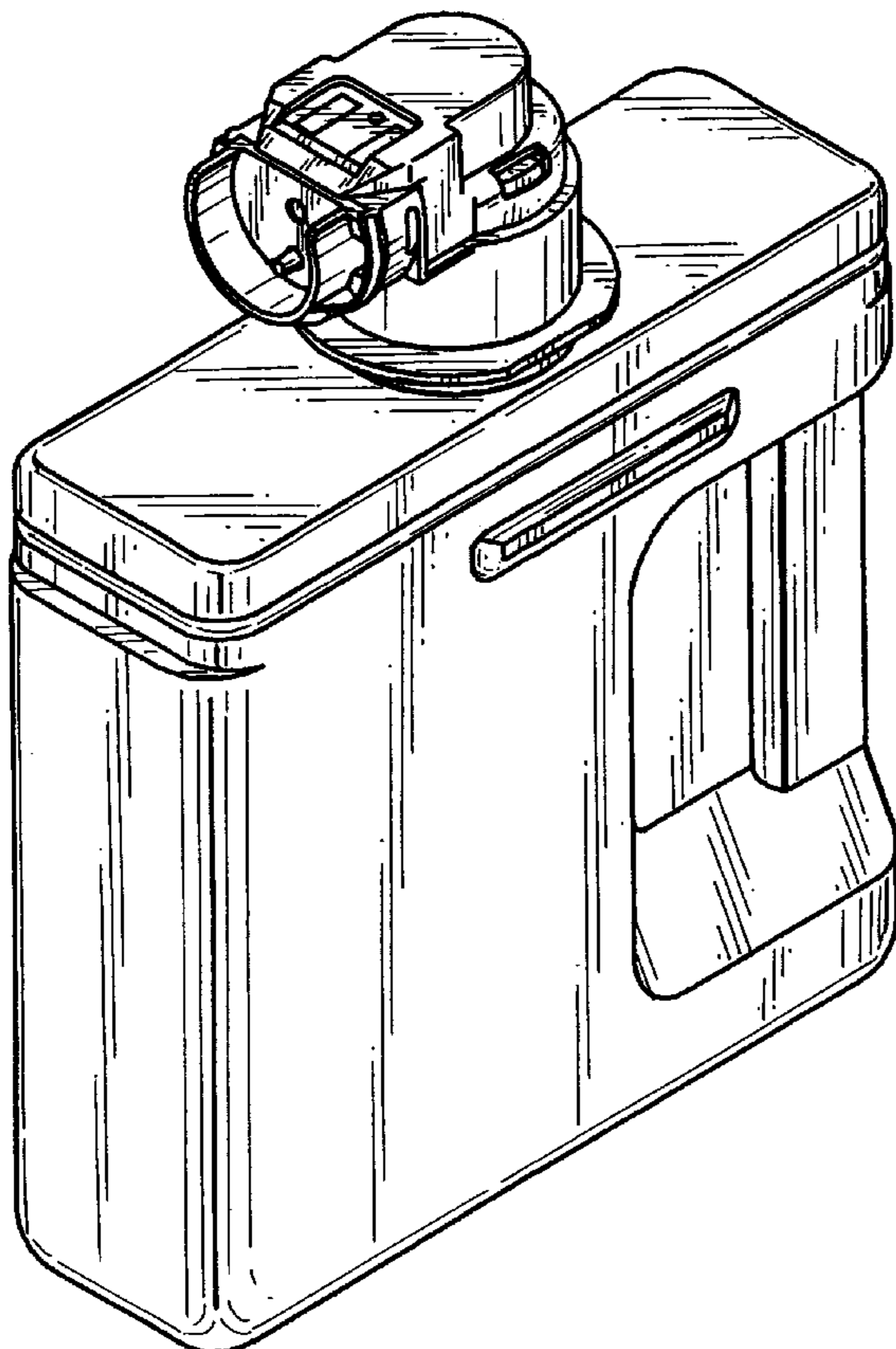
FIG. 5 is a right side elevational view thereof;

FIG. 6 is a top plan view thereof;

FIG. 7 is a bottom plan view thereof; and,

FIG. 8 is a cross-sectional view thereof taken along line 8—8 on FIG. 6.

**1 Claim, 3 Drawing Sheets**



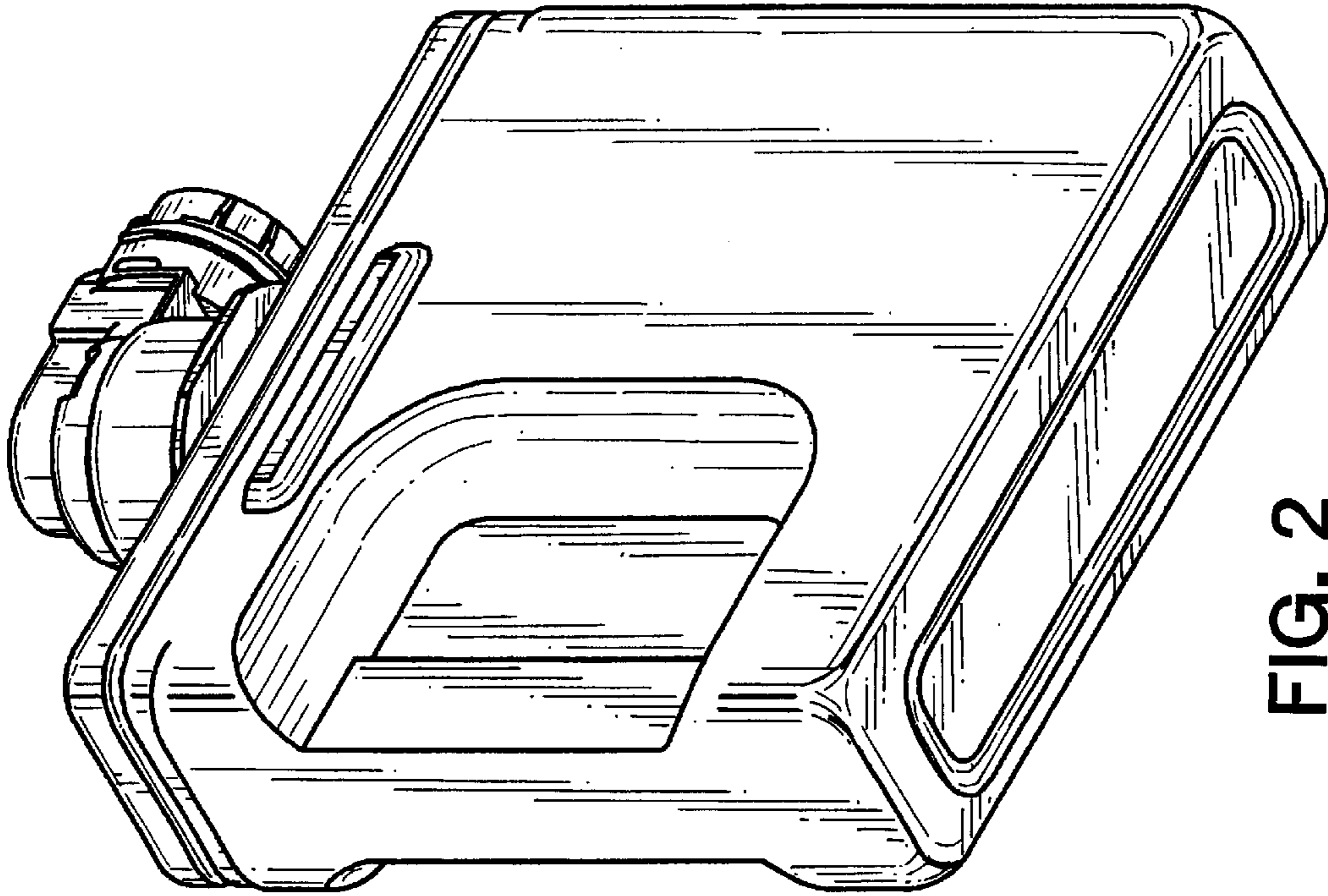


FIG. 2

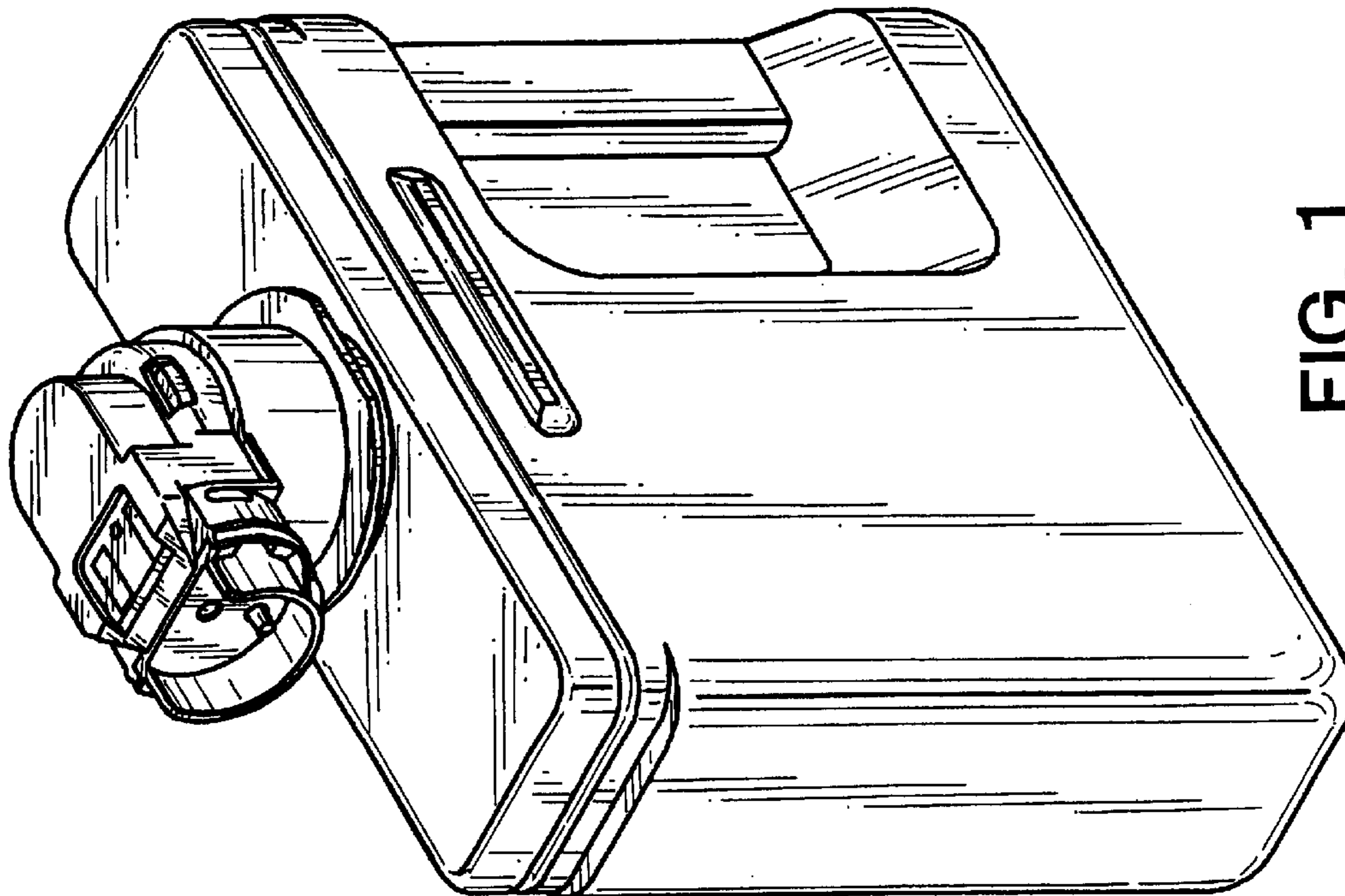


FIG. 1

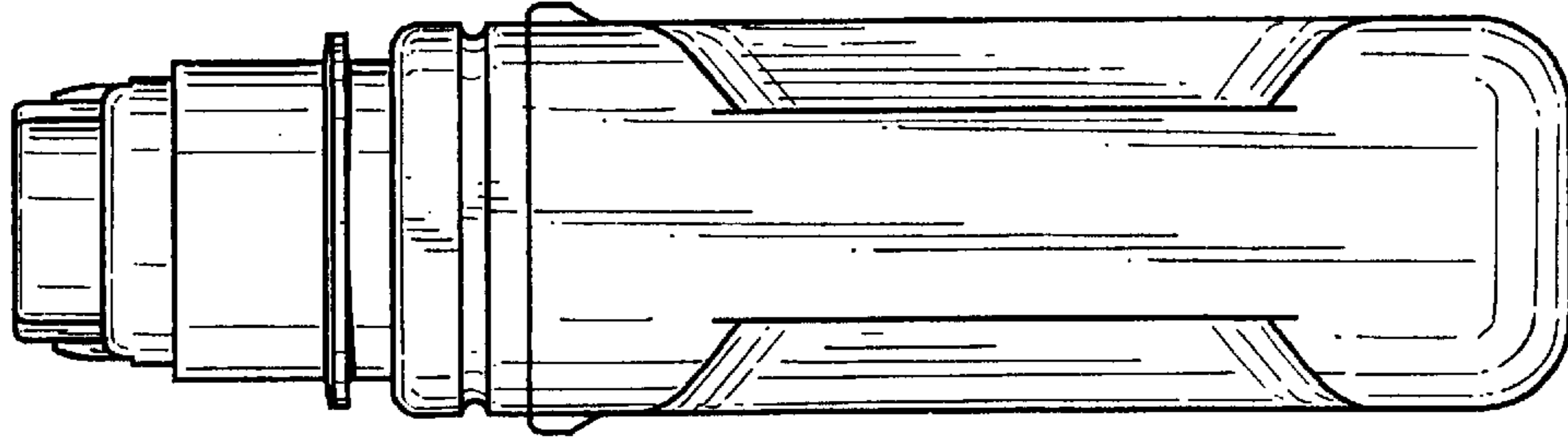


FIG. 5

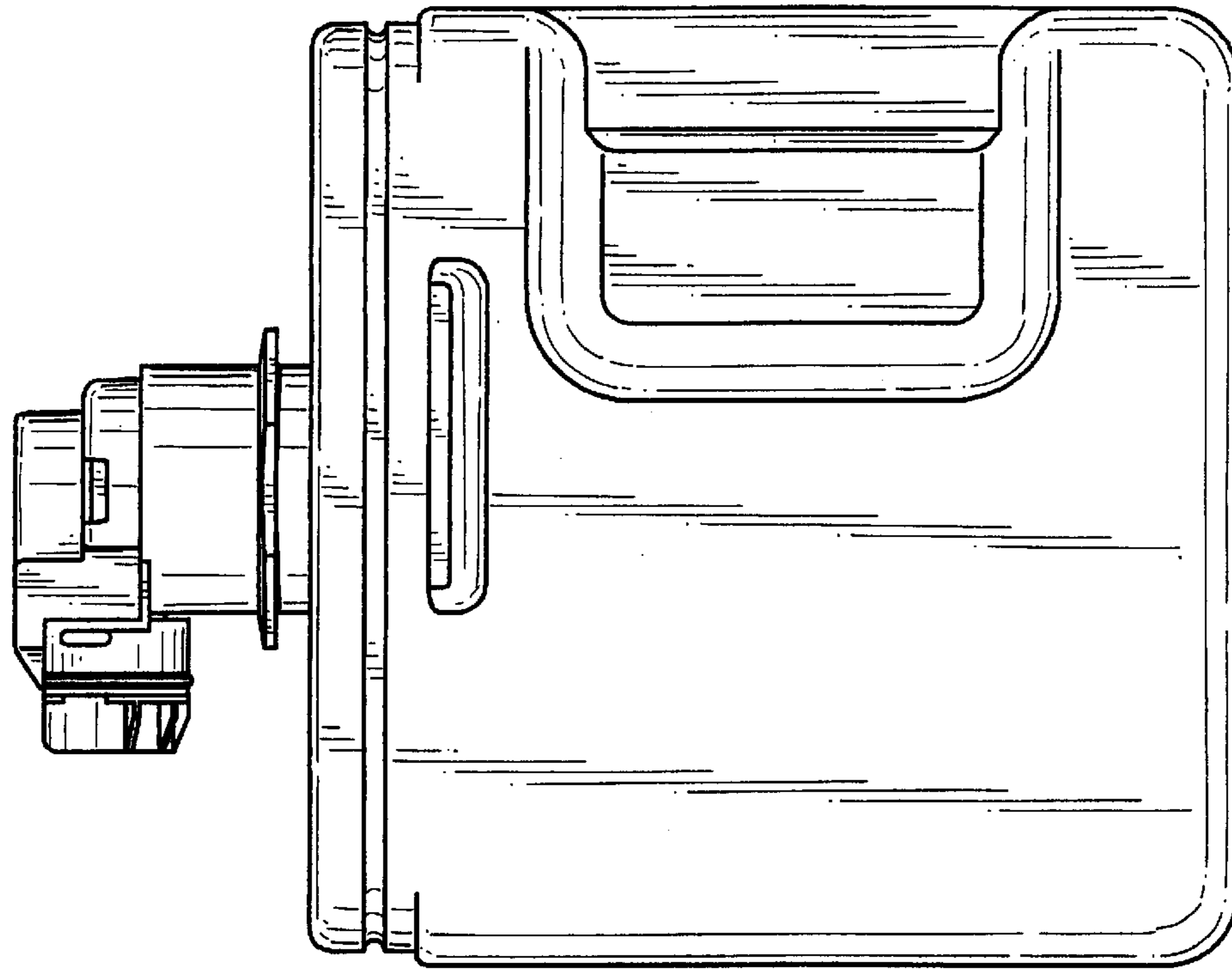


FIG. 3

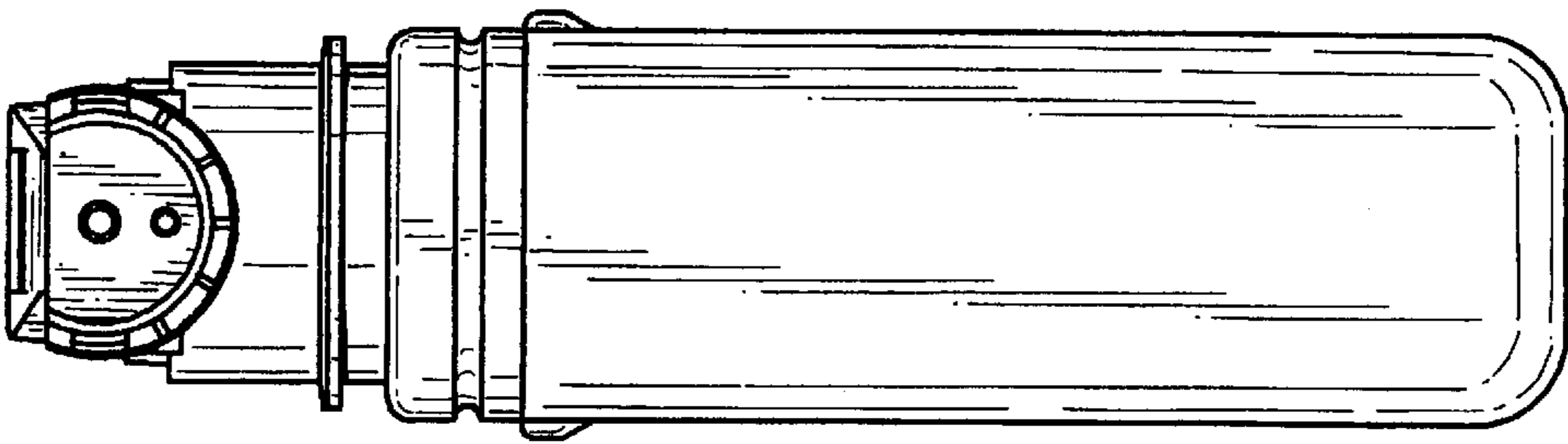


FIG. 4



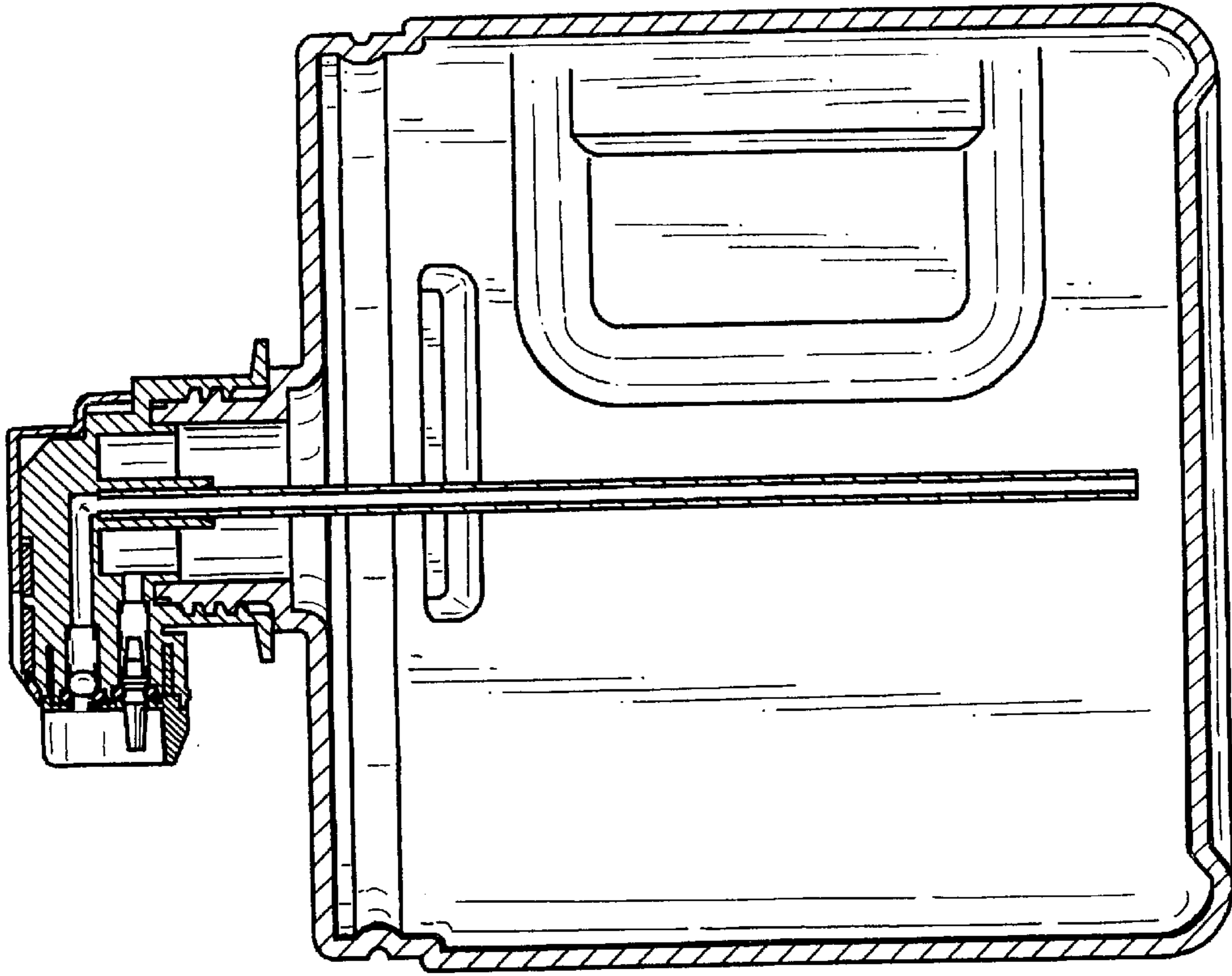


FIG. 8

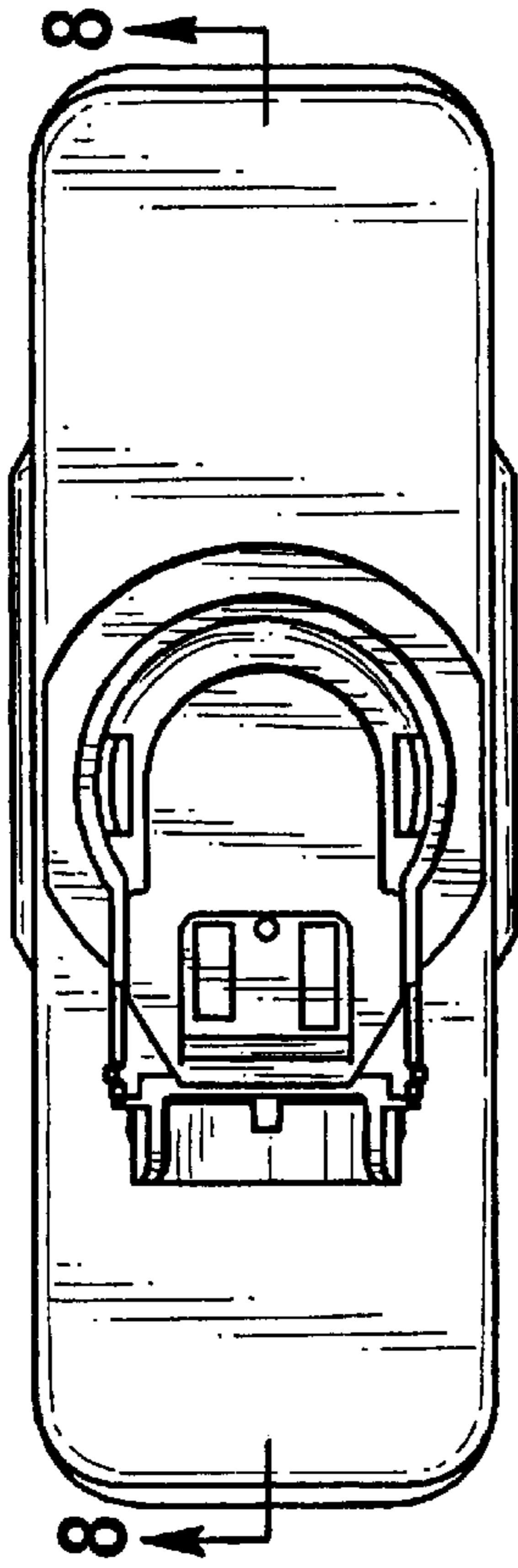


FIG. 6



FIG. 7