



US00D472917S

(12) **United States Design Patent**
Iwata

(10) **Patent No.:** **US D472,917 S**

(45) **Date of Patent:** **** Apr. 8, 2003**

(54) **PRINTER UNIT FOR CASH REGISTER**

(75) Inventor: **Yoshihiko Iwata**, Tokyo (JP)

(73) Assignee: **Casio Keisanki Kabushiki Kaisha**,
Tokyo (JP)

(**) Term: **14 Years**

(21) Appl. No.: **29/154,819**

(22) Filed: **Jan. 29, 2002**

(51) **LOC (7) Cl.** **18-02**

(52) **U.S. Cl.** **D18/54.1; D18/12**

(58) **Field of Search** **D18/4.1-4.6, 6,**
D18/7, 12, 12.1, 54.1; 400/219, 578; 101/93.31

(56) **References Cited**

U.S. PATENT DOCUMENTS

- 3,835,770 A * 9/1974 Shimodaira et al. 101/93.31
- 4,046,246 A * 9/1977 Kondur, Jr. 400/219
- D254,742 S * 4/1980 Hirabayashi et al. D18/54.1

* cited by examiner

Primary Examiner—Caron D. Veynar

(74) *Attorney, Agent, or Firm*—Frishauf, Holtz, Goodman
& Chick, P.C.

(57) **CLAIM**

The ornamental design for a printer unit for cash register, as shown and described.

DESCRIPTION

FIG. 1 is a front elevational view of a printer unit for cash register showing my new design;

FIG. 2 is a rear elevational view thereof;

FIG. 3 is a left side view thereof;

FIG. 4 is a right side view thereof;

FIG. 5 is a top plan view thereof;

FIG. 6 is a bottom plan view thereof;

FIG. 7 is a front, right, bottom side perspective view thereof;

FIG. 8 is a front elevational view thereof with an upper part opened;

FIG. 9 is a rear elevational view thereof with the upper part opened;

FIG. 10 is a left side view thereof with the upper part opened;

FIG. 11 is a right side view thereof with the upper part opened;

FIG. 12 is a top plan view thereof with the upper part opened;

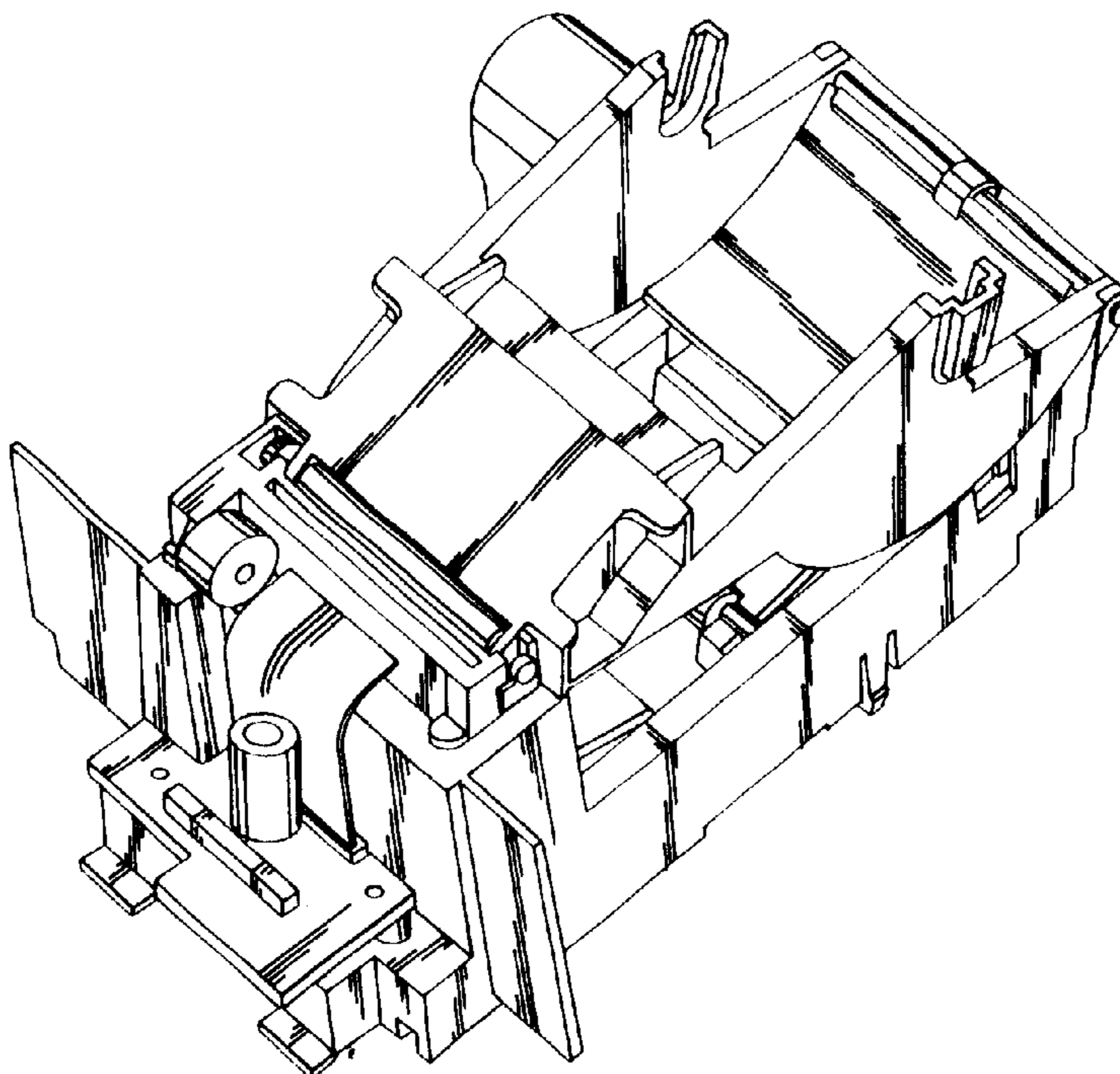
FIG. 13 is a bottom plan view thereof with the upper part opened;

FIG. 14 is a front, right, bottom side perspective view thereof with the upper part opened;

FIG. 15 is a perspective view showing the printer unit on which is mounted a roll of paper that is shown in broken lines for illustrative purposes only and forms no part of the claimed design; and,

FIG. 16 is a perspective view showing the printer unit mounted to a cash register that is shown in broken lines for illustrative purposes only and forms no part of the claimed design.

1 Claim, 16 Drawing Sheets



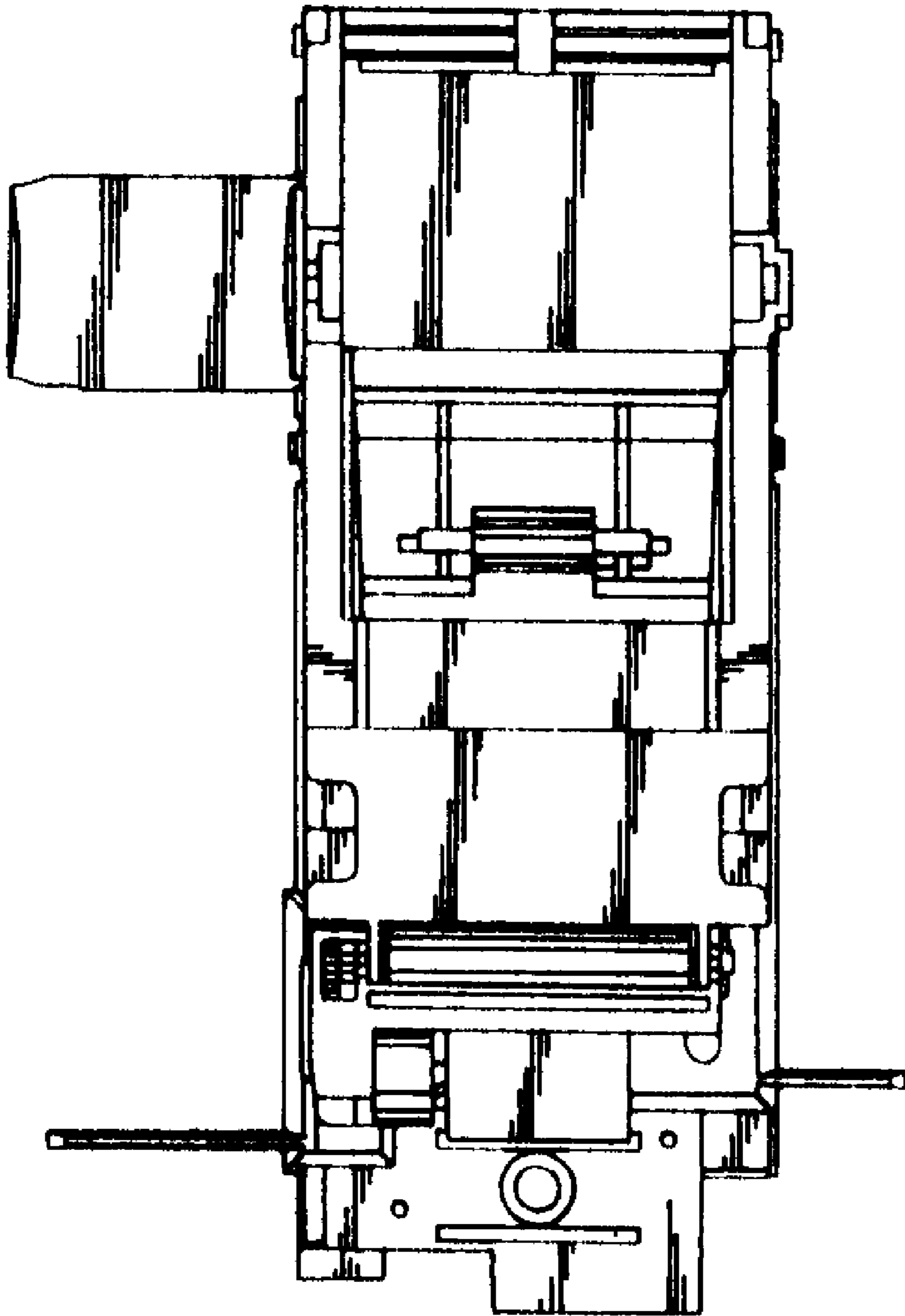


FIG. 1

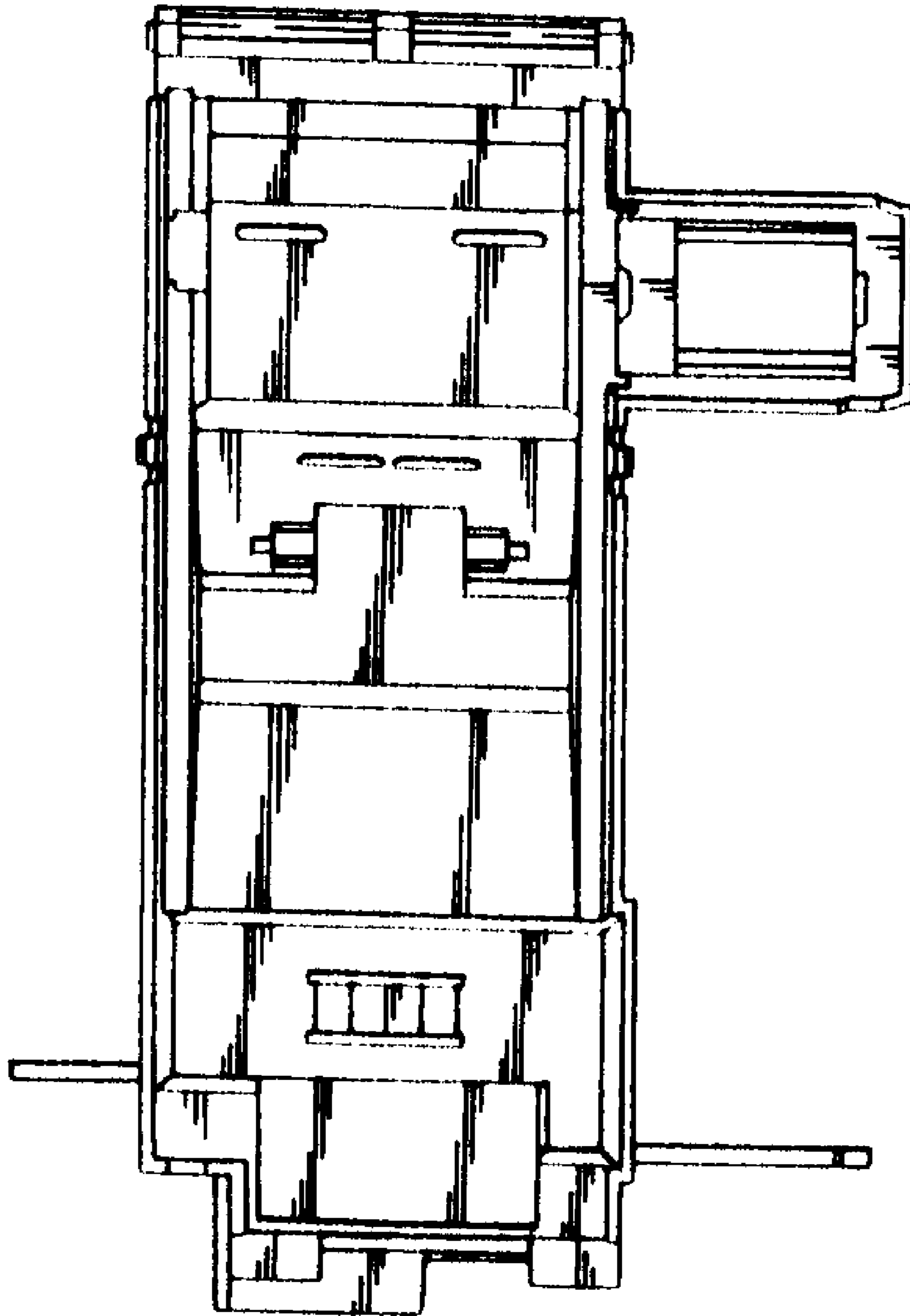


FIG. 2

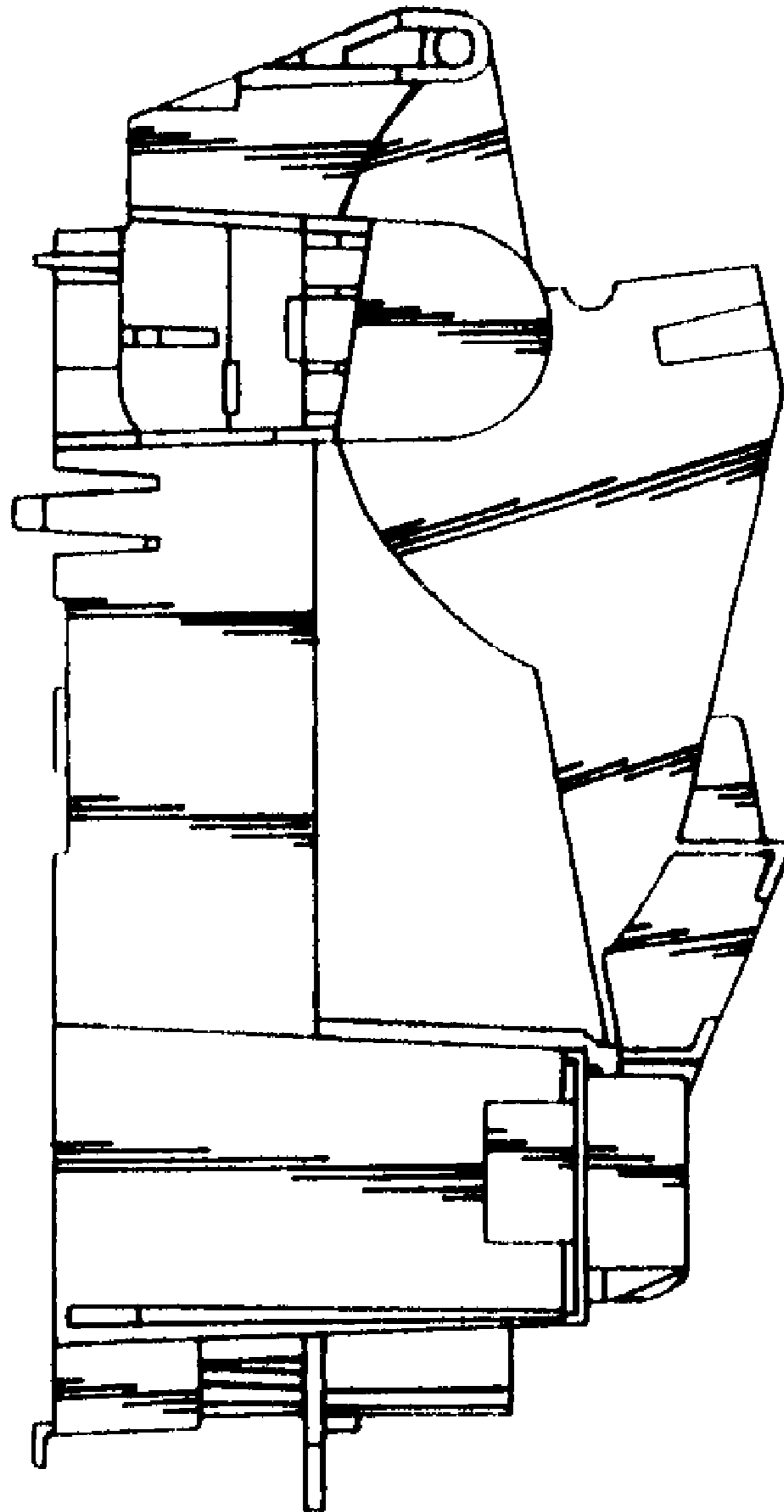


FIG. 3

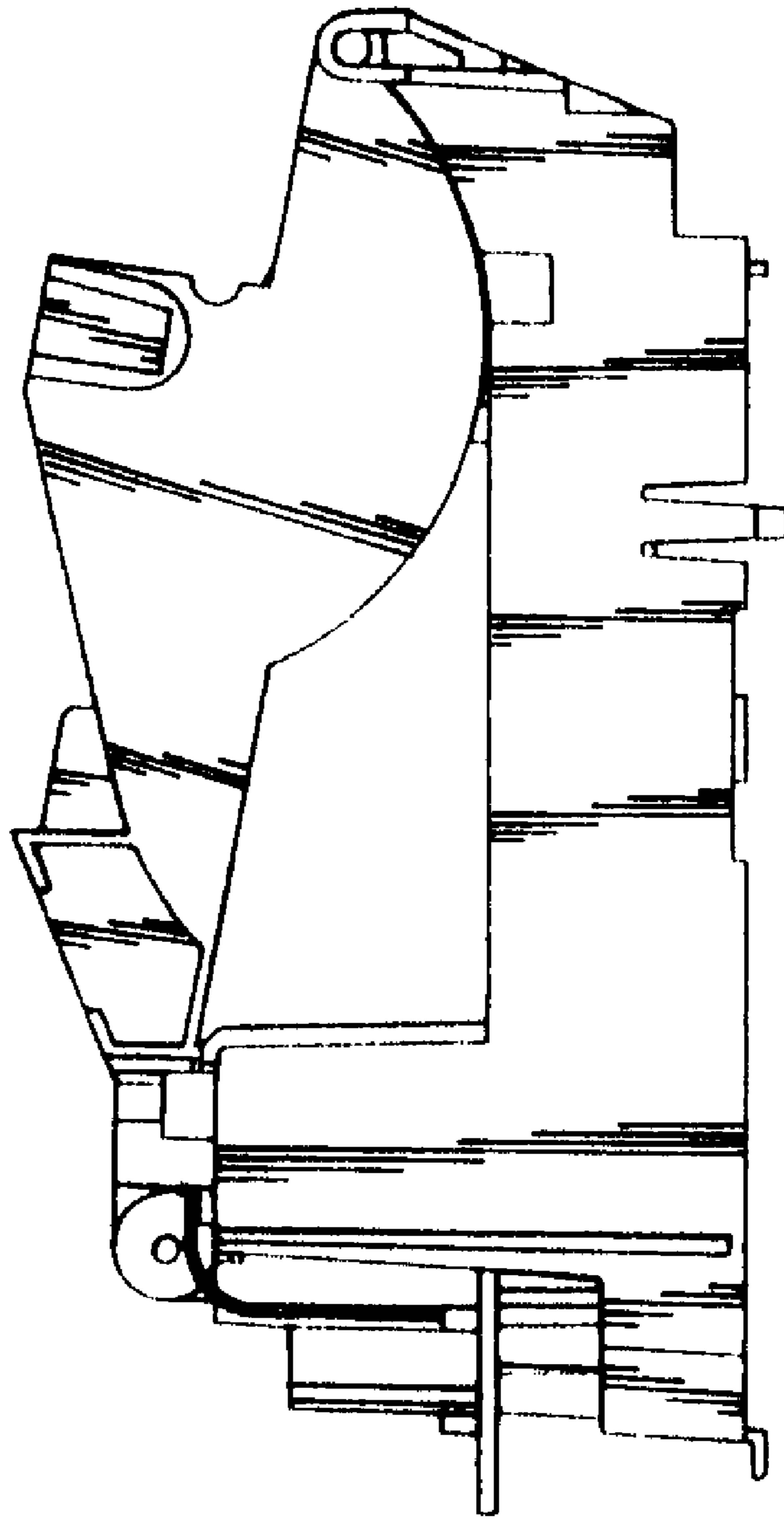


FIG. 4

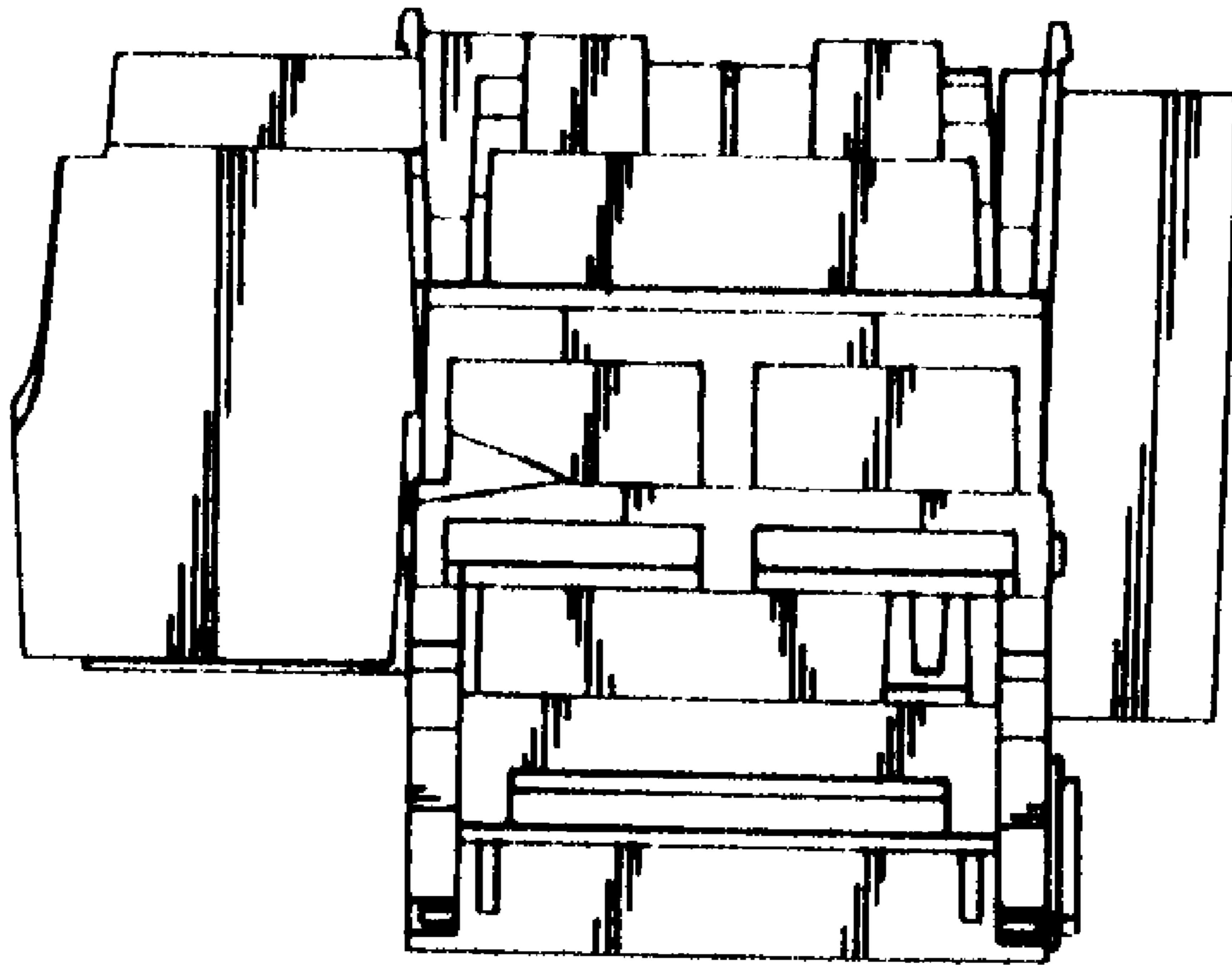


FIG. 5

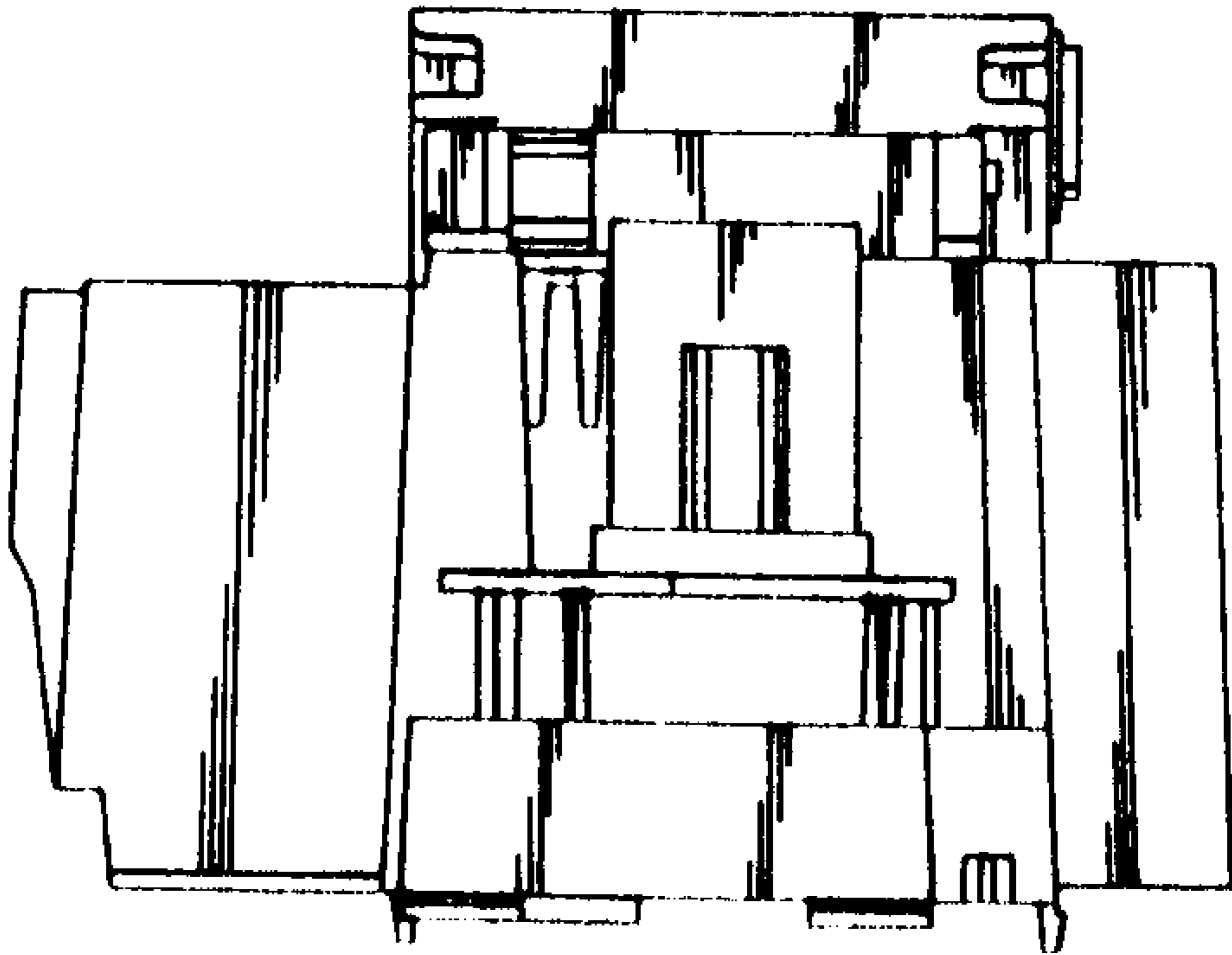


FIG. 6

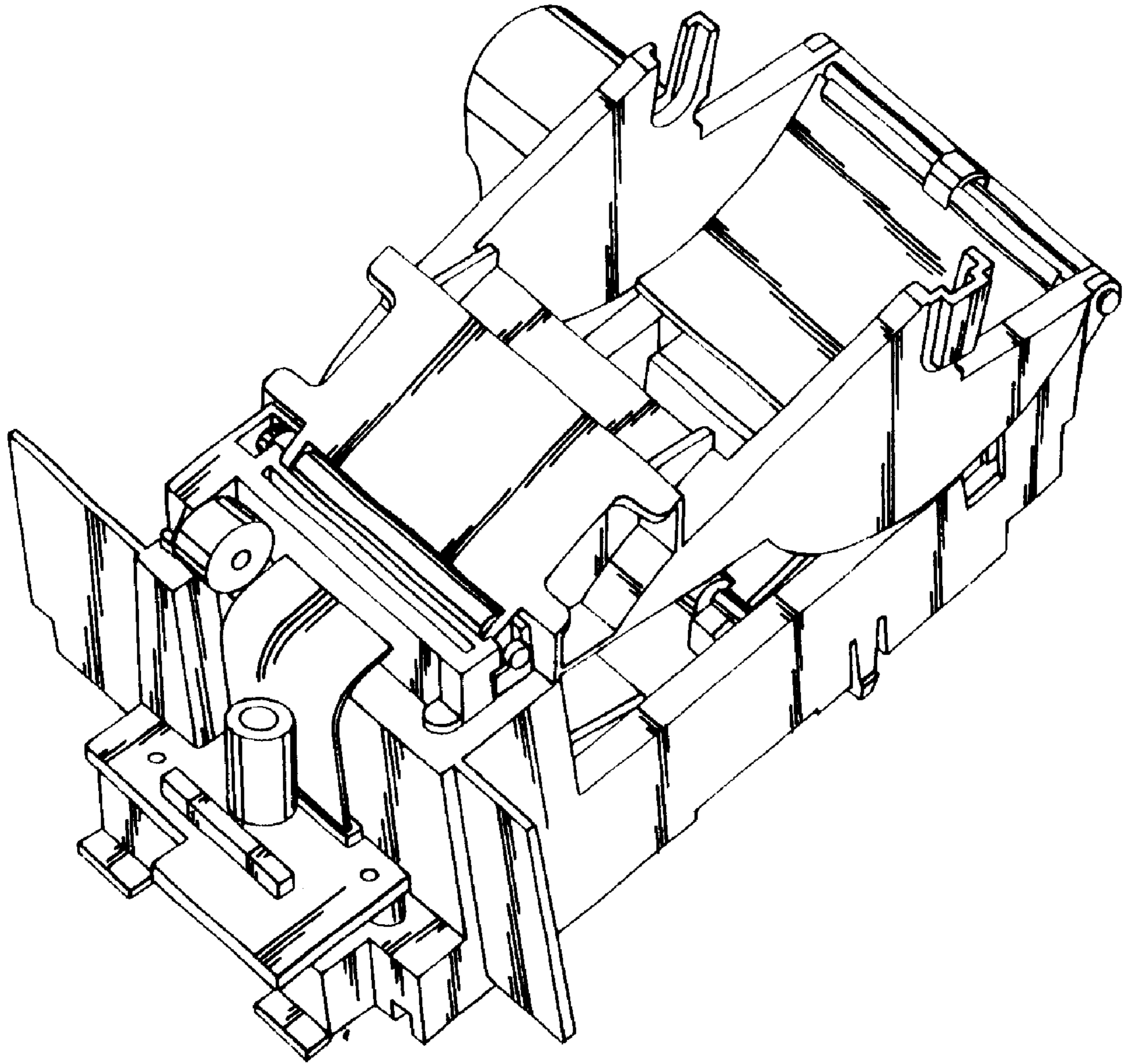


FIG. 7

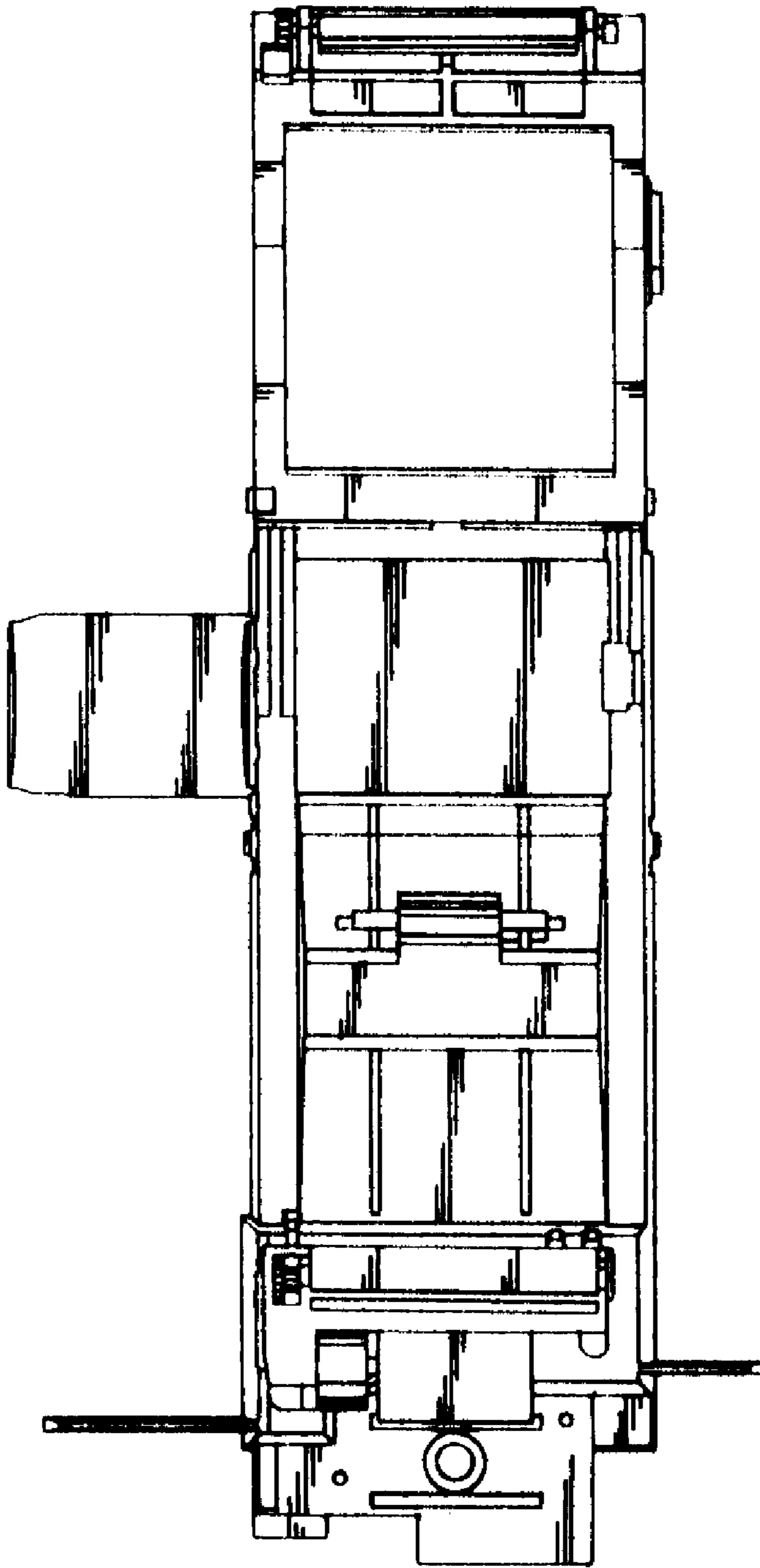


FIG. 8

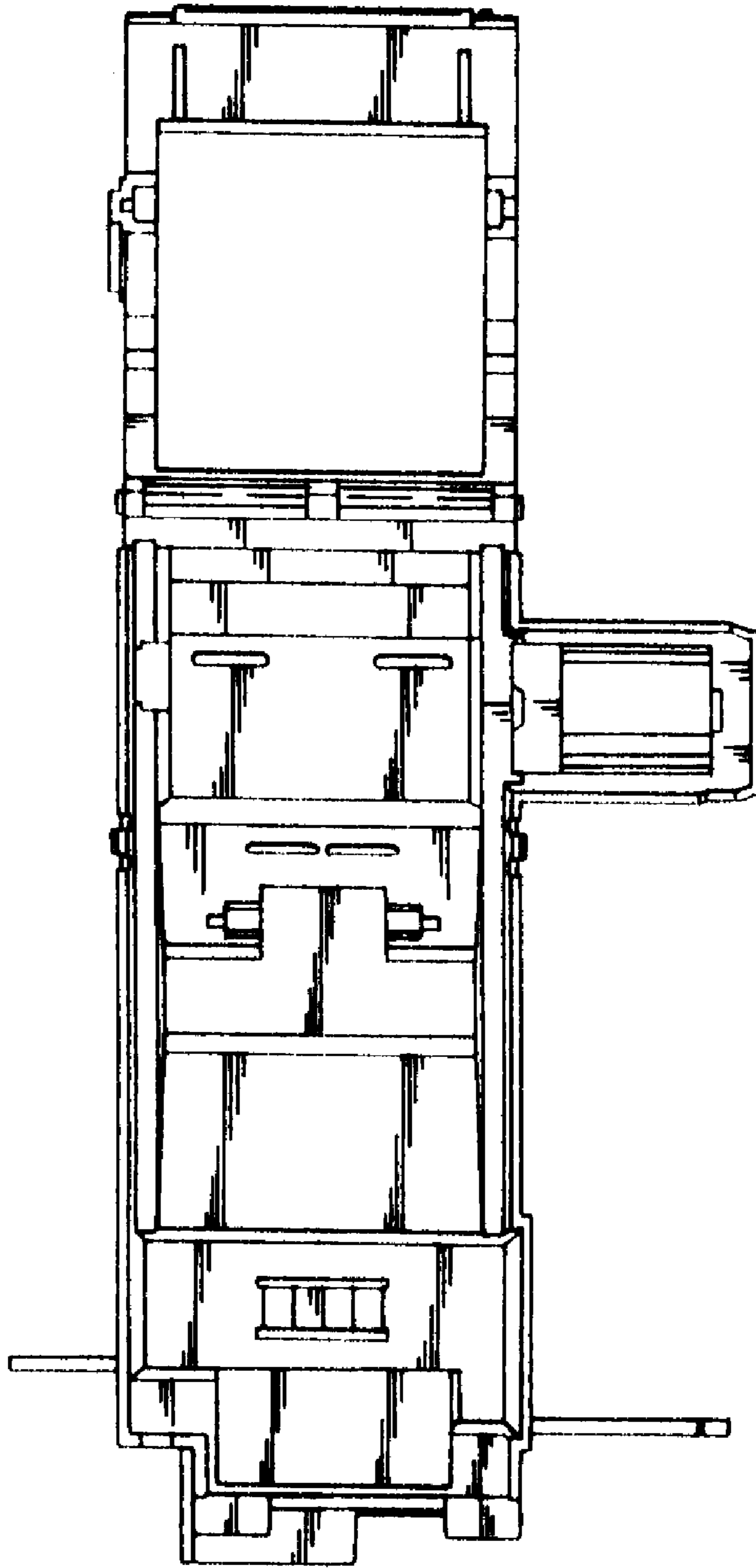


FIG. 9

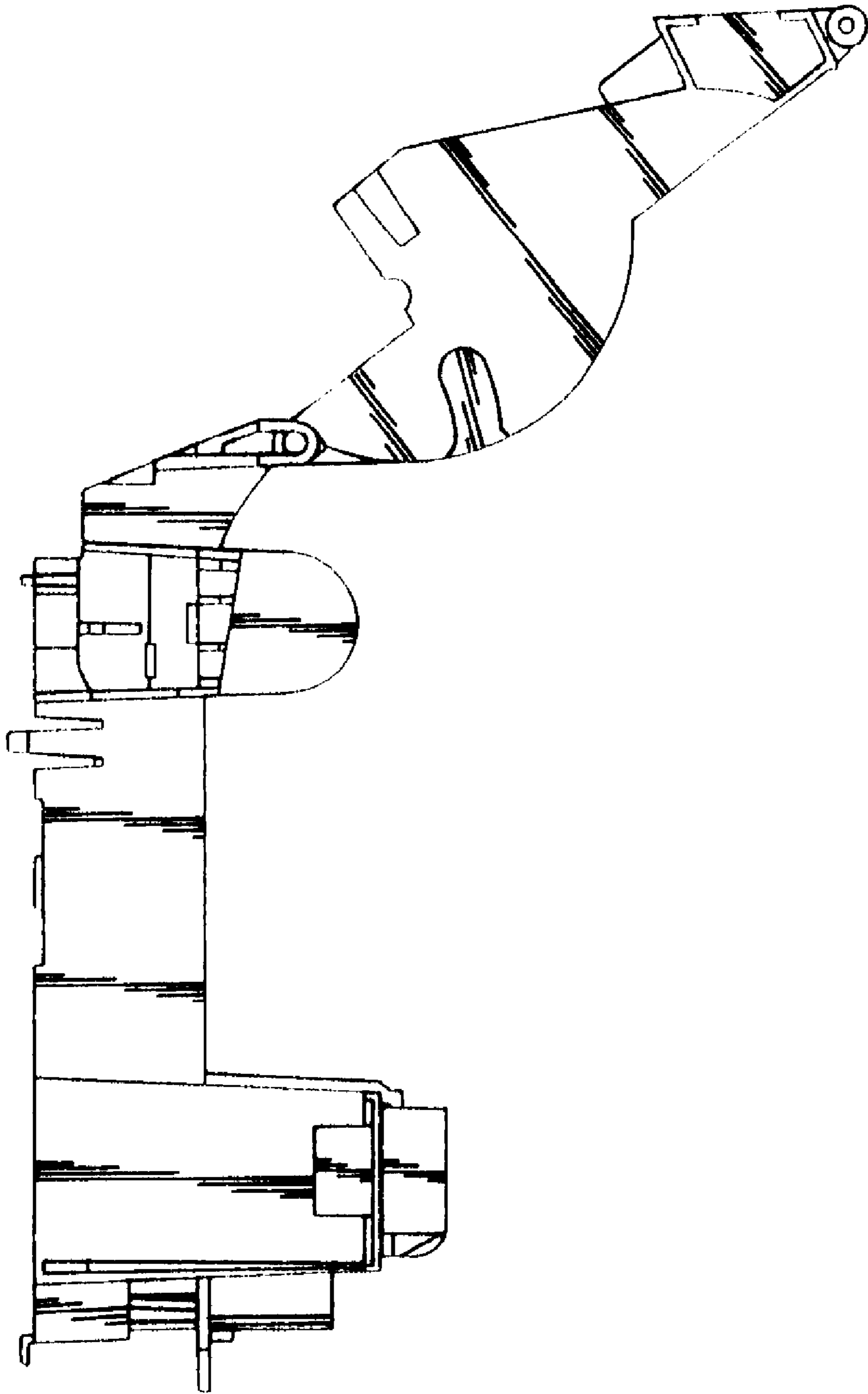


FIG. 10

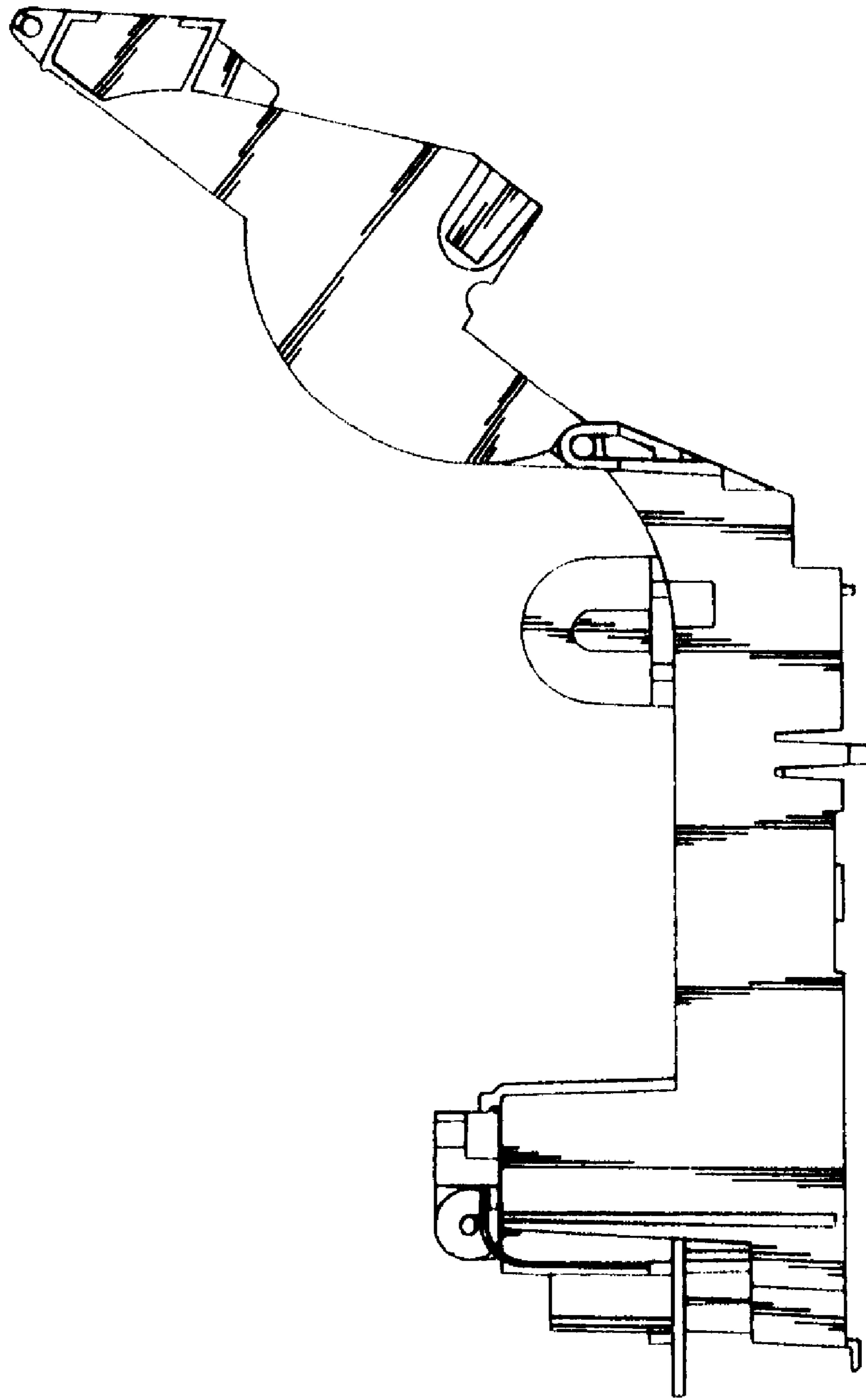


FIG. 11

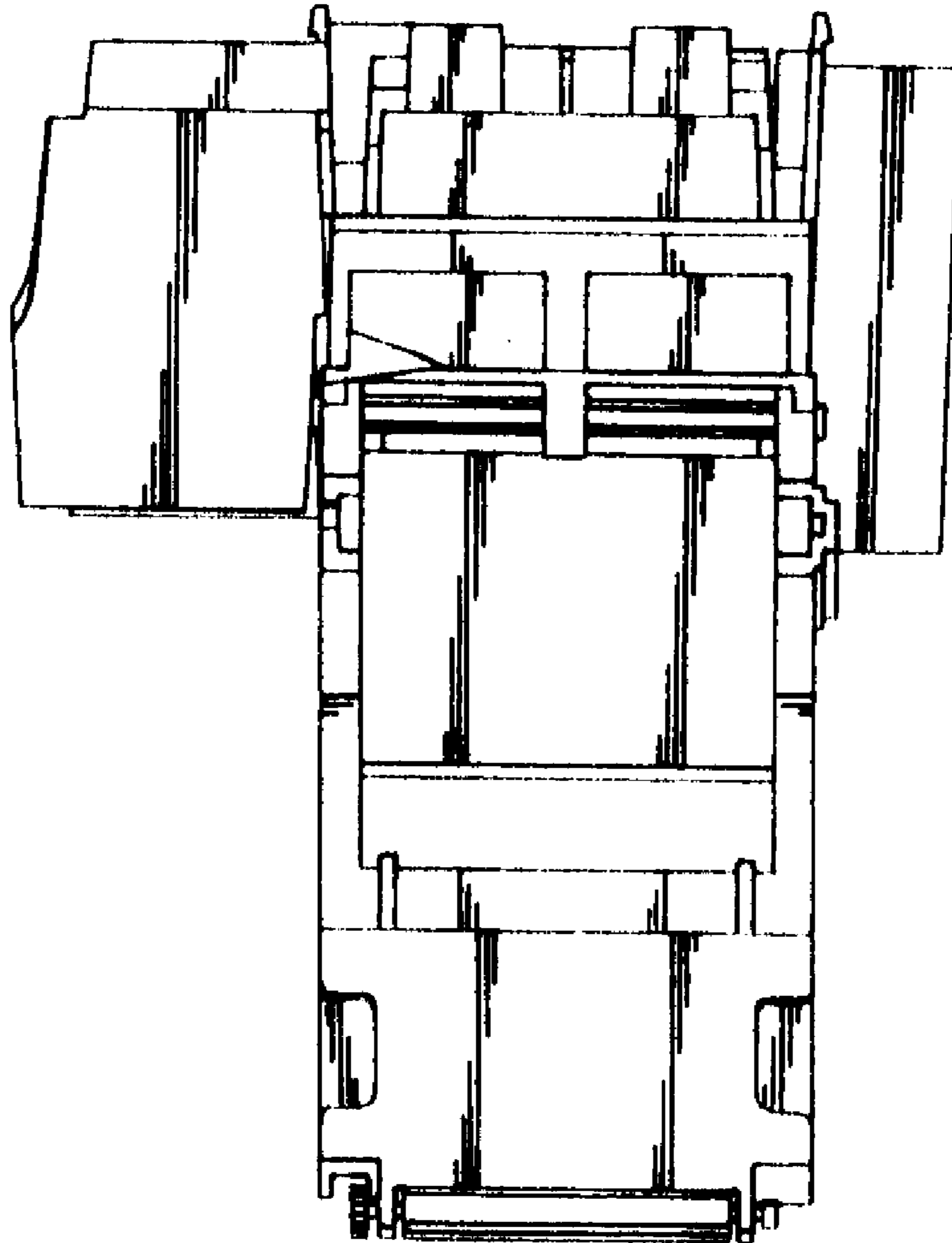


FIG. 12

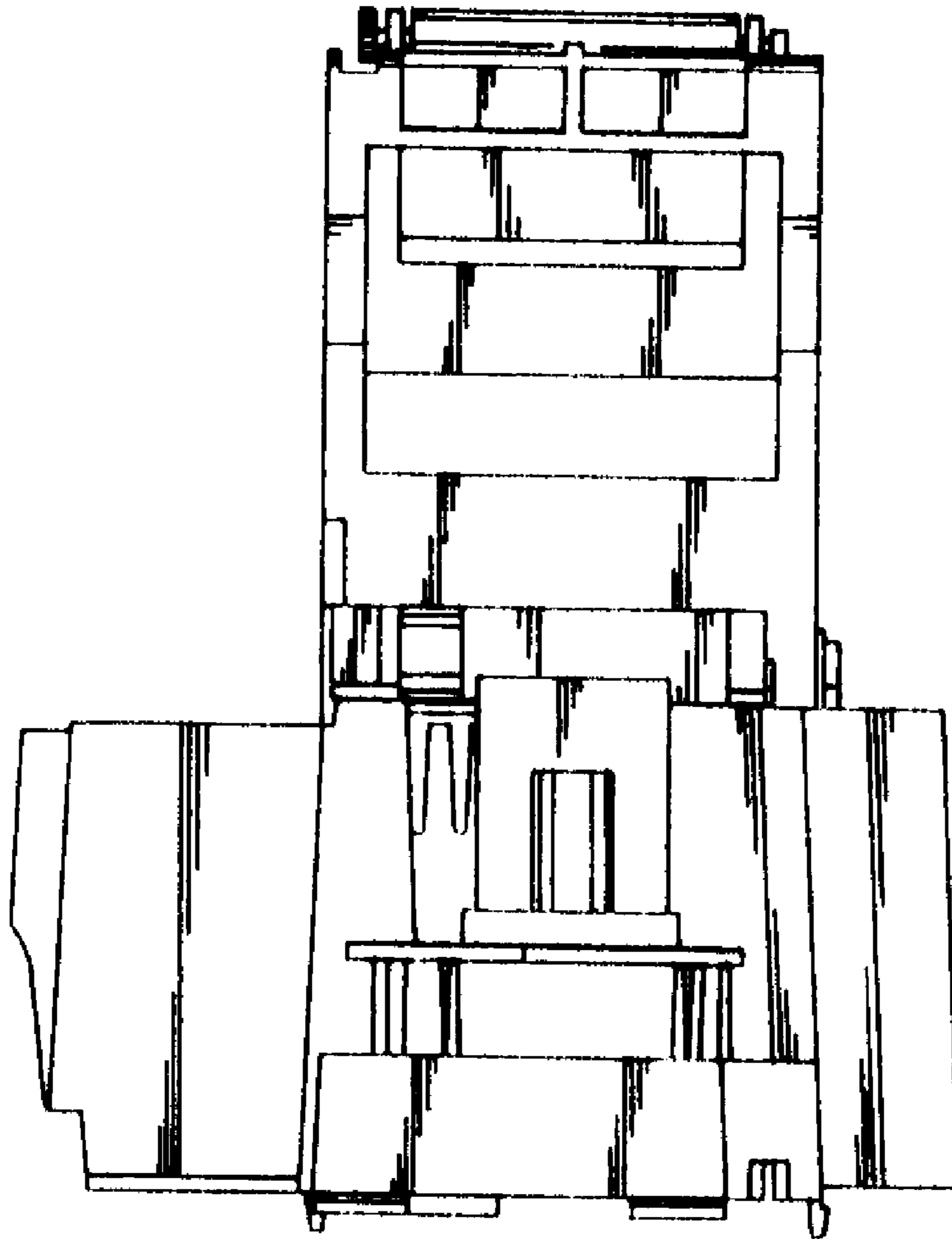


FIG. 13

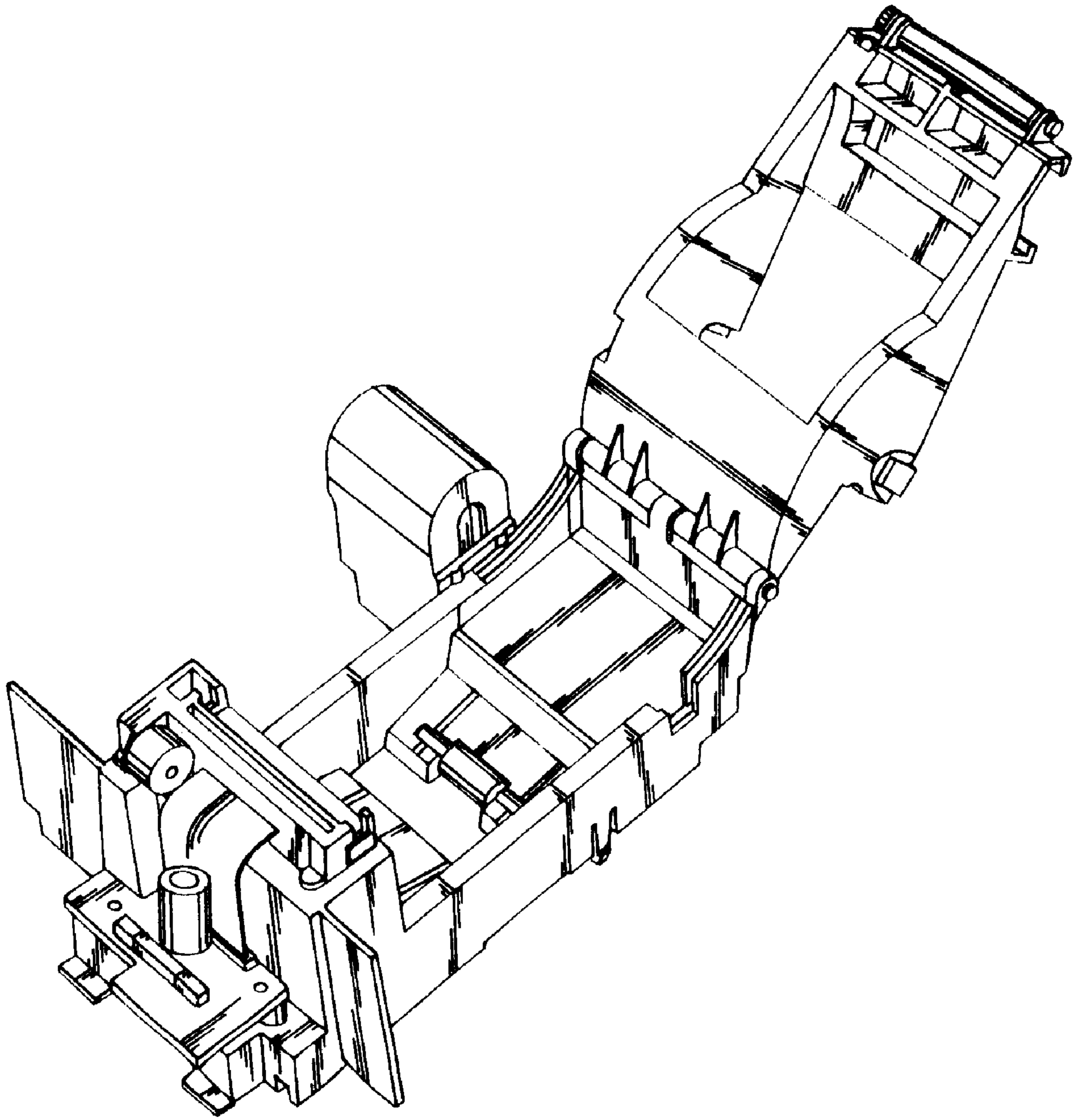


FIG. 14

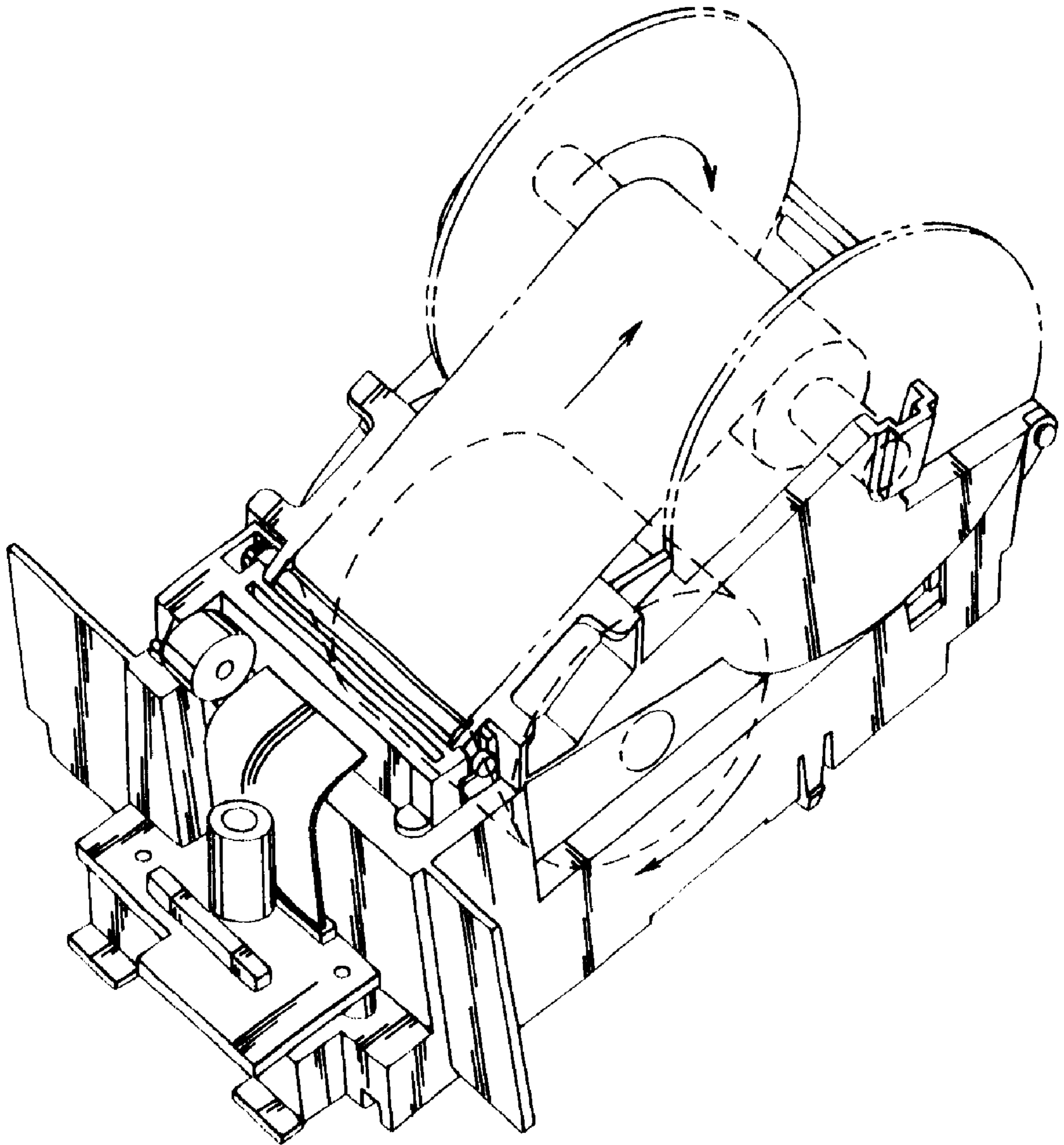


FIG. 15

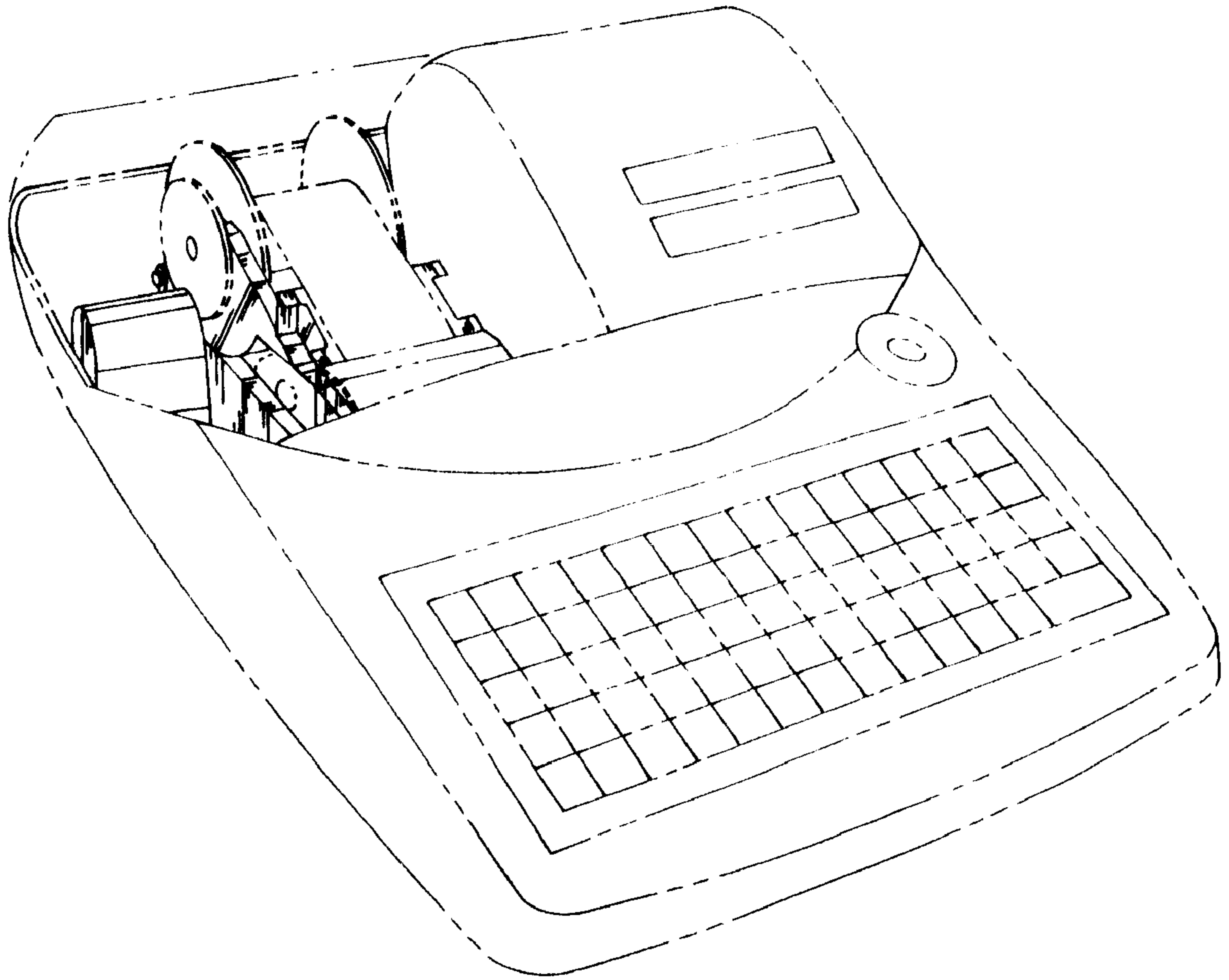


FIG. 16