



US00D472914S

(12) **United States Design Patent**
Schelling et al.

(10) **Patent No.:** **US D472,914 S**

(45) **Date of Patent:** **** Apr. 8, 2003**

(54) **CAMERA WITH INTEGRAL FLASH FEATURE**

(75) Inventors: **Anna C. Schelling**, Rochester, NY (US); **Thomas E. Dussinger**, Henrietta, NY (US); **Robert J. Stanchus**, Rochester, NY (US); **Anthony F. DiGaetano**, Rochester, NY (US)

(73) Assignee: **Eastman Kodak Company**, Rochester, NY (US)

(**) Term: **14 Years**

(21) Appl. No.: **29/153,026**

(22) Filed: **Dec. 21, 2001**

(51) **LOC (7) Cl.** **16-01**

(52) **U.S. Cl.** **D16/209**

(58) **Field of Search** D16/200-205,
D16/208, 209, 217, 218; 396/535-541,
6

(56) **References Cited**

U.S. PATENT DOCUMENTS

D380,002 S	*	6/1997	Schelling	D16/209
D395,665 S	*	6/1998	Matsumura et al.	D16/209
D399,229 S	*	10/1998	Solomon et al.	D16/209
D405,814 S	*	2/1999	Solomon et al.	D16/209
5,933,671 A	*	8/1999	Stephany et al.	396/535

* cited by examiner

Primary Examiner—Adir Aronovich
(74) *Attorney, Agent, or Firm*—Roland R. Schindler, II

(57) **CLAIM**

The ornamental design for a camera with integral flash feature, as shown and described.

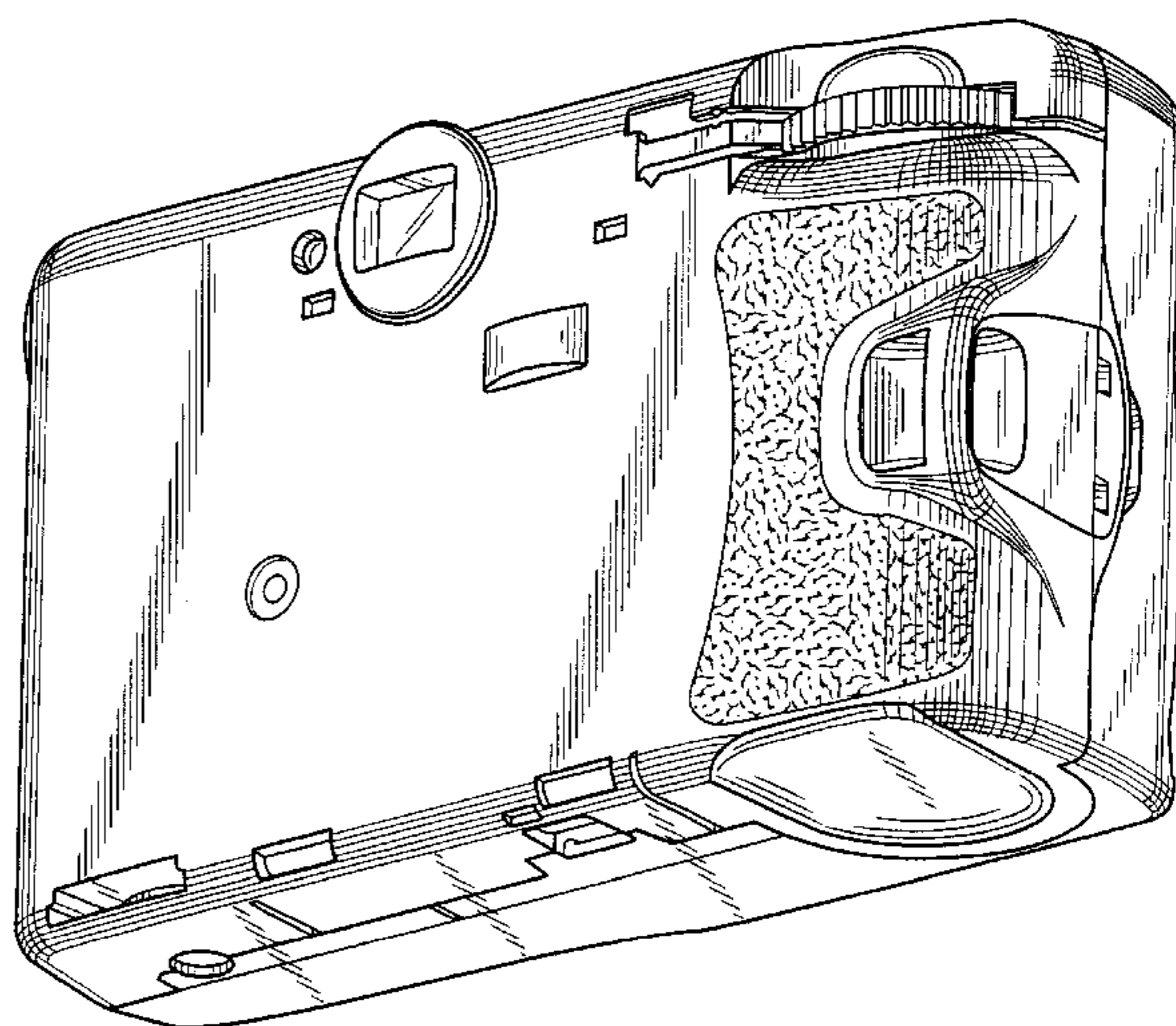
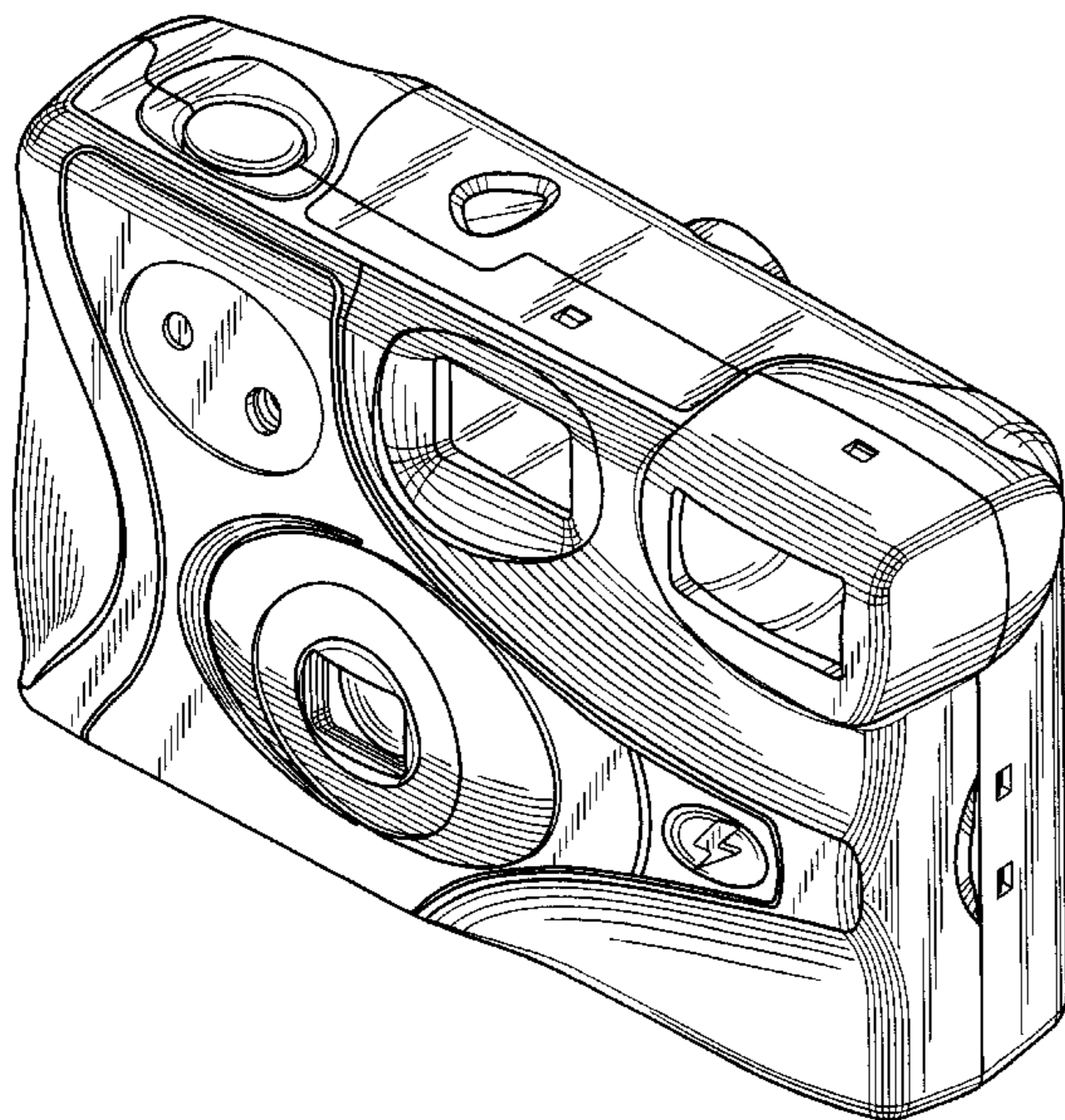
DESCRIPTION

The nature and intended use of the article in which the design is embodied is a photographic camera.

Reference is made to commonly assigned, co-pending U.S. applications Ser. No. 29/153,025 entitled Camera with Integral Flash Feature, filed Dec. 21, 2001, in the names of Anna C. Schelling, Robert J. Stanchus, Thomas E. Dussinger, and Anthony F. DiGaetano; Ser. No. 29/152,603 entitled Camera Covering, filed Dec. 21, 2001, in the names of Anna C. Schelling, Robert J. Stanchus, Thomas E. Dussinger, and Anthony F. DiGaetano.

FIG. 1 is a front, top, right-side, perspective view of a camera according to our new design;
FIG. 2 is a rear, bottom, left-side perspective view thereof;
FIG. 3 is a front elevation view thereof;
FIG. 4 is a rear elevation view thereof;
FIG. 5 is a top plan view thereof;
FIG. 6 is a bottom plan view thereof;
FIG. 7 is a right-side elevation view thereof; and,
FIG. 8 is a left-side elevation view thereof.

1 Claim, 8 Drawing Sheets



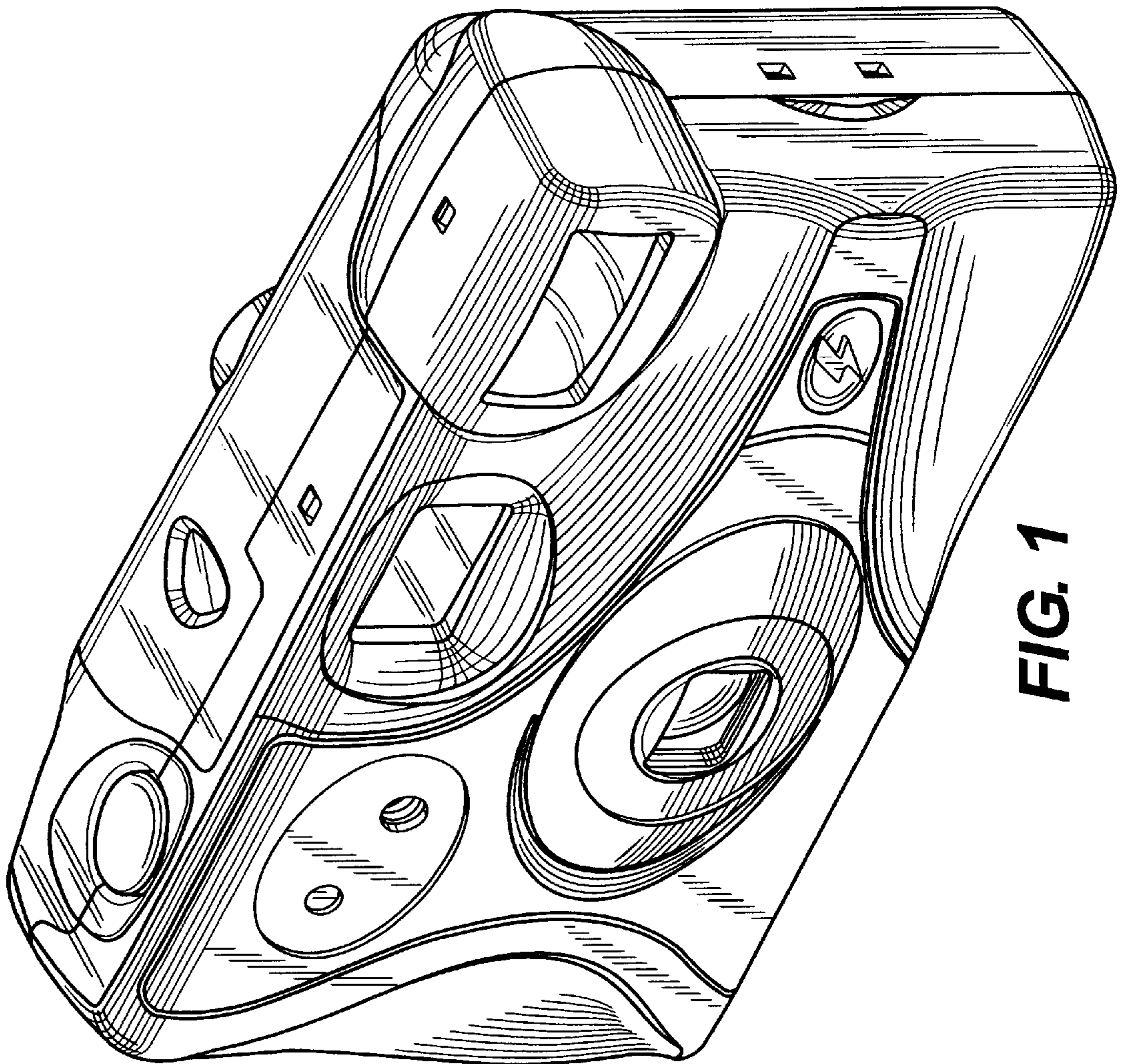


FIG. 1

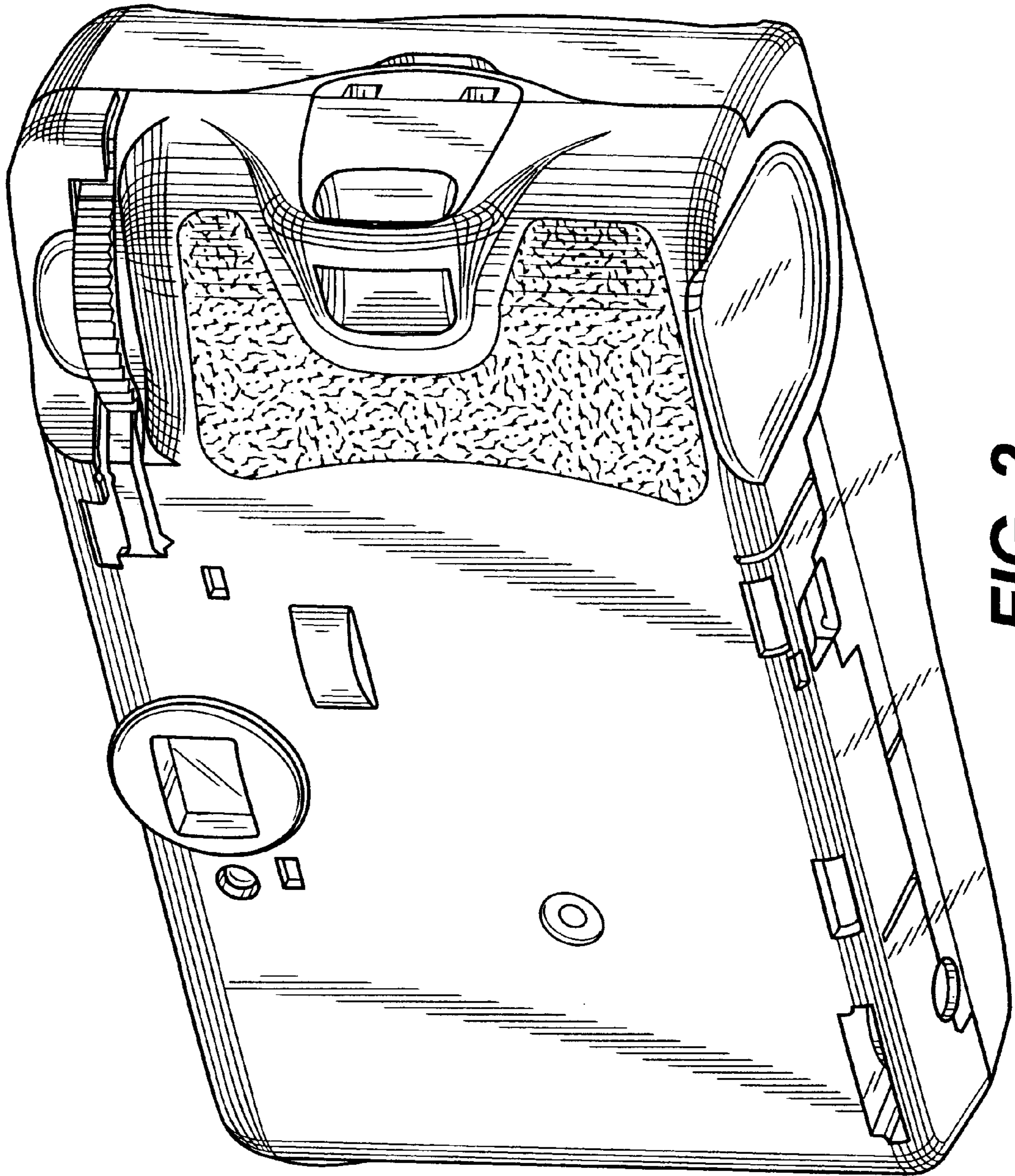


FIG. 2

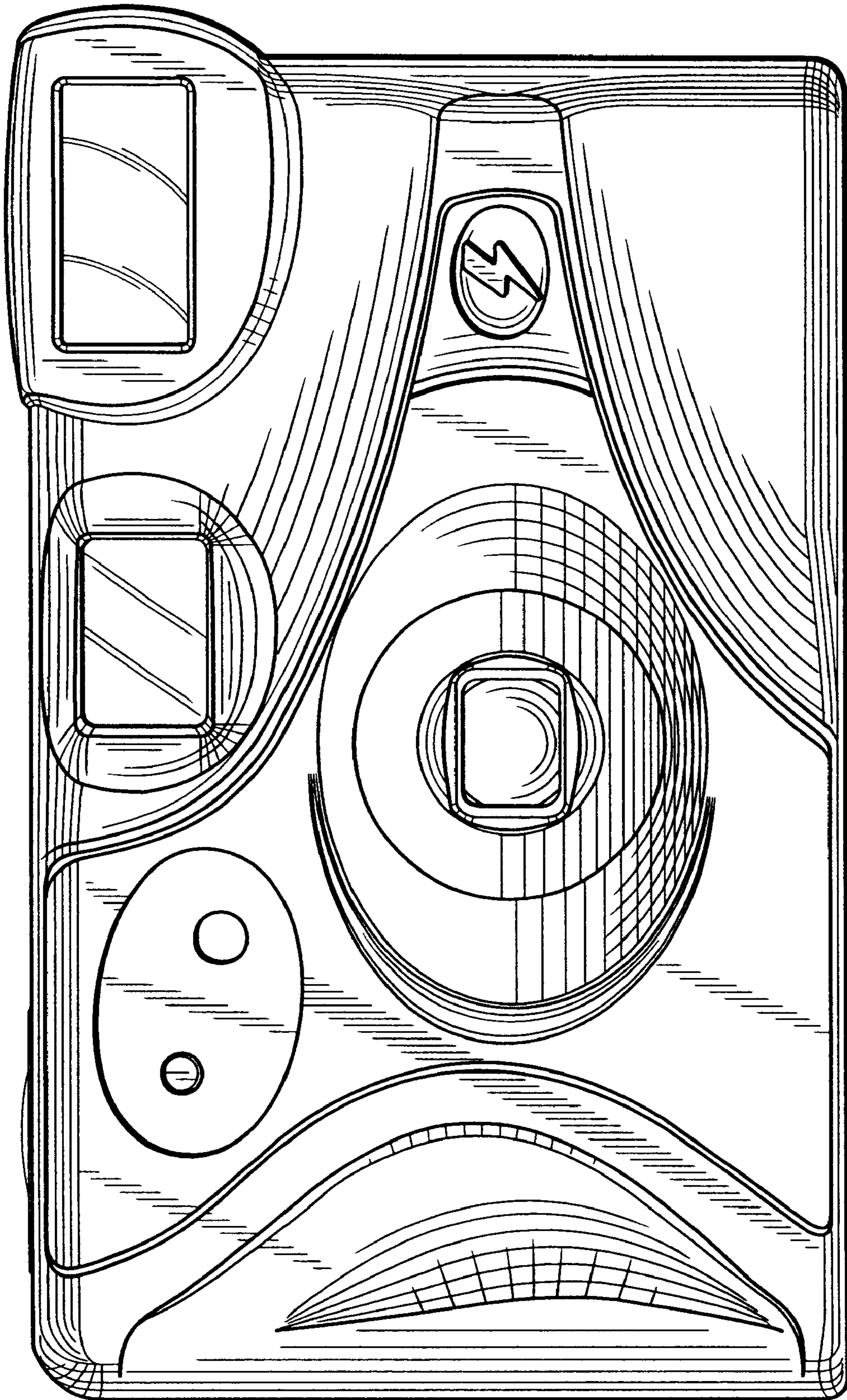


FIG. 3

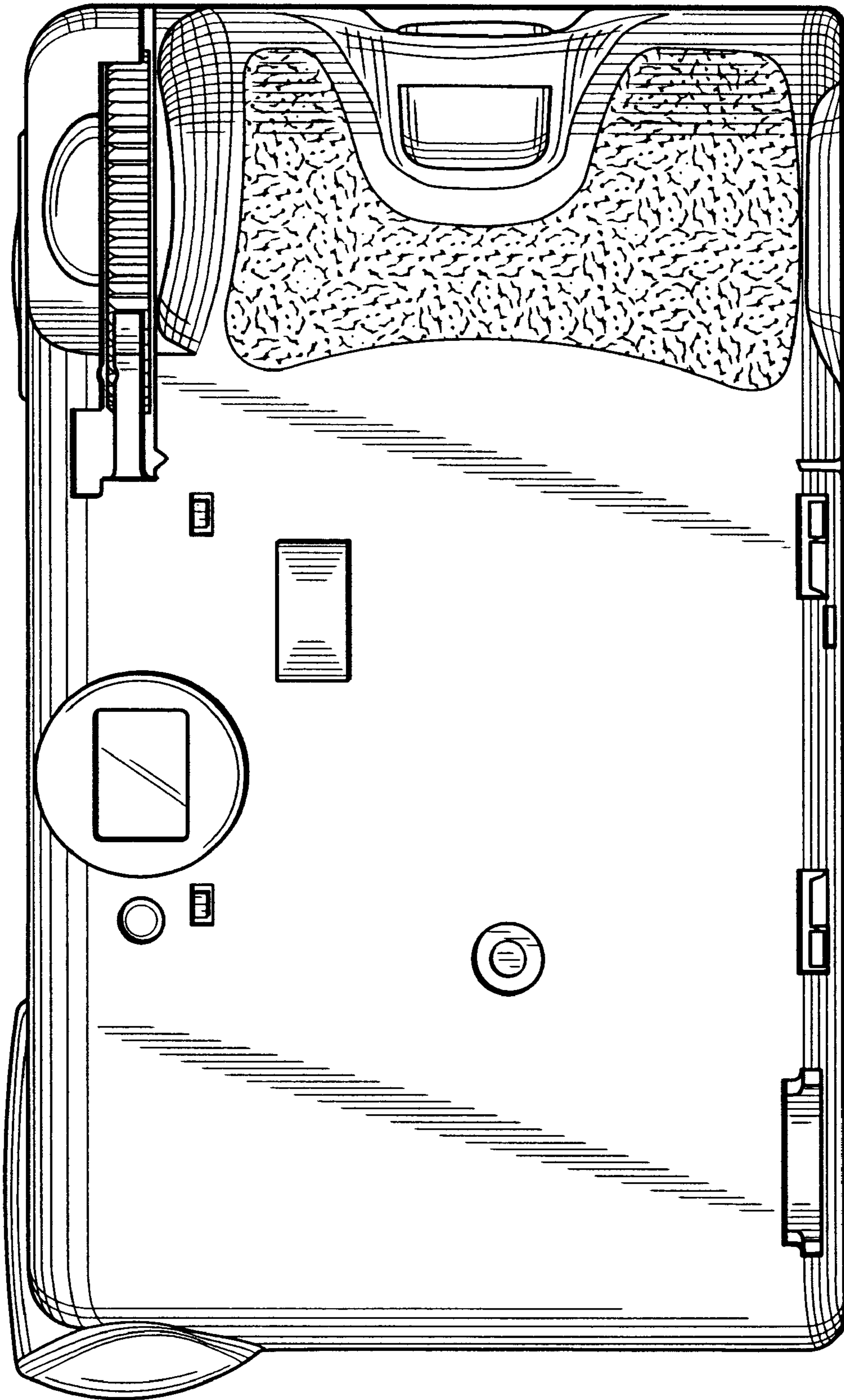


FIG. 4

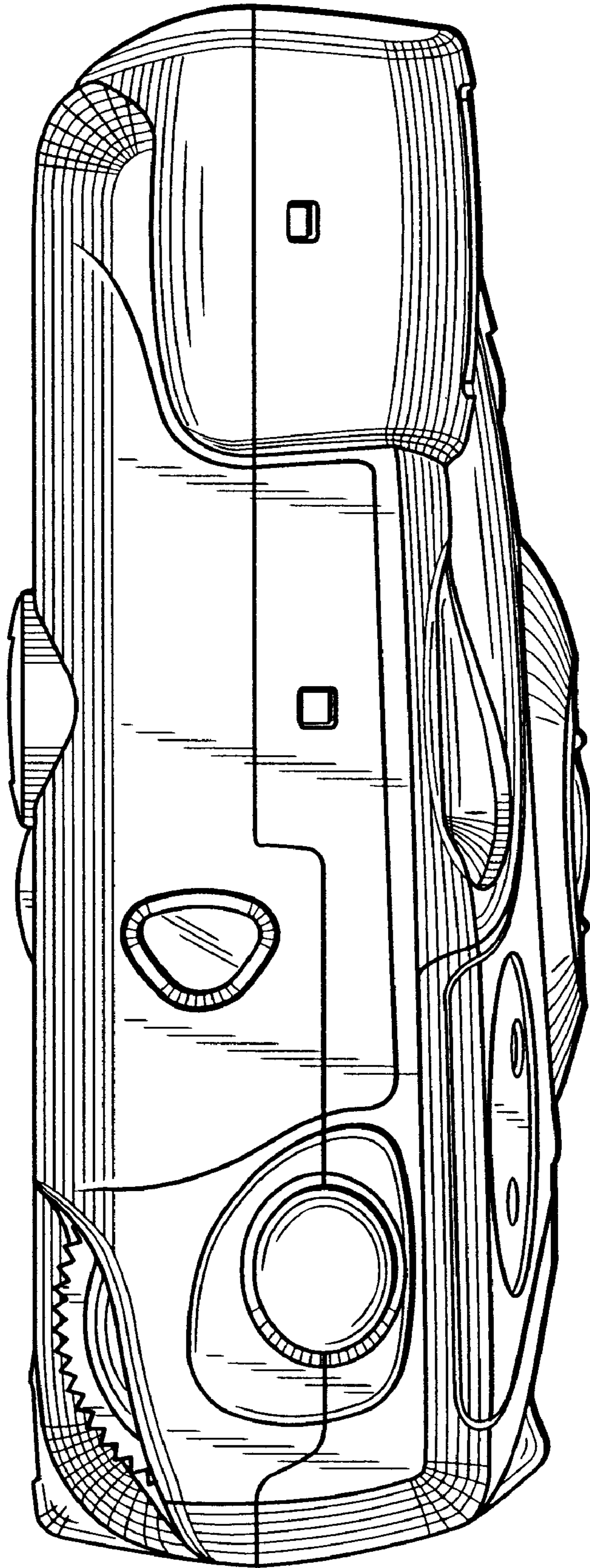


FIG. 5

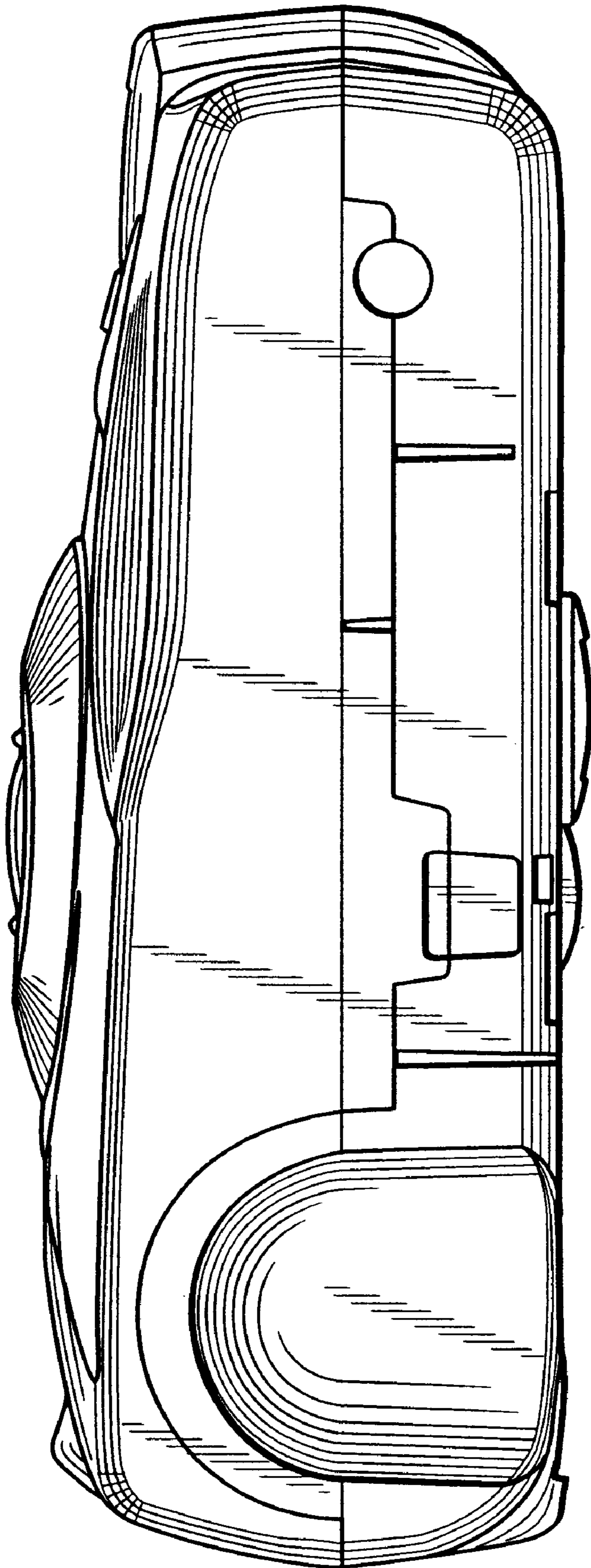


FIG. 6

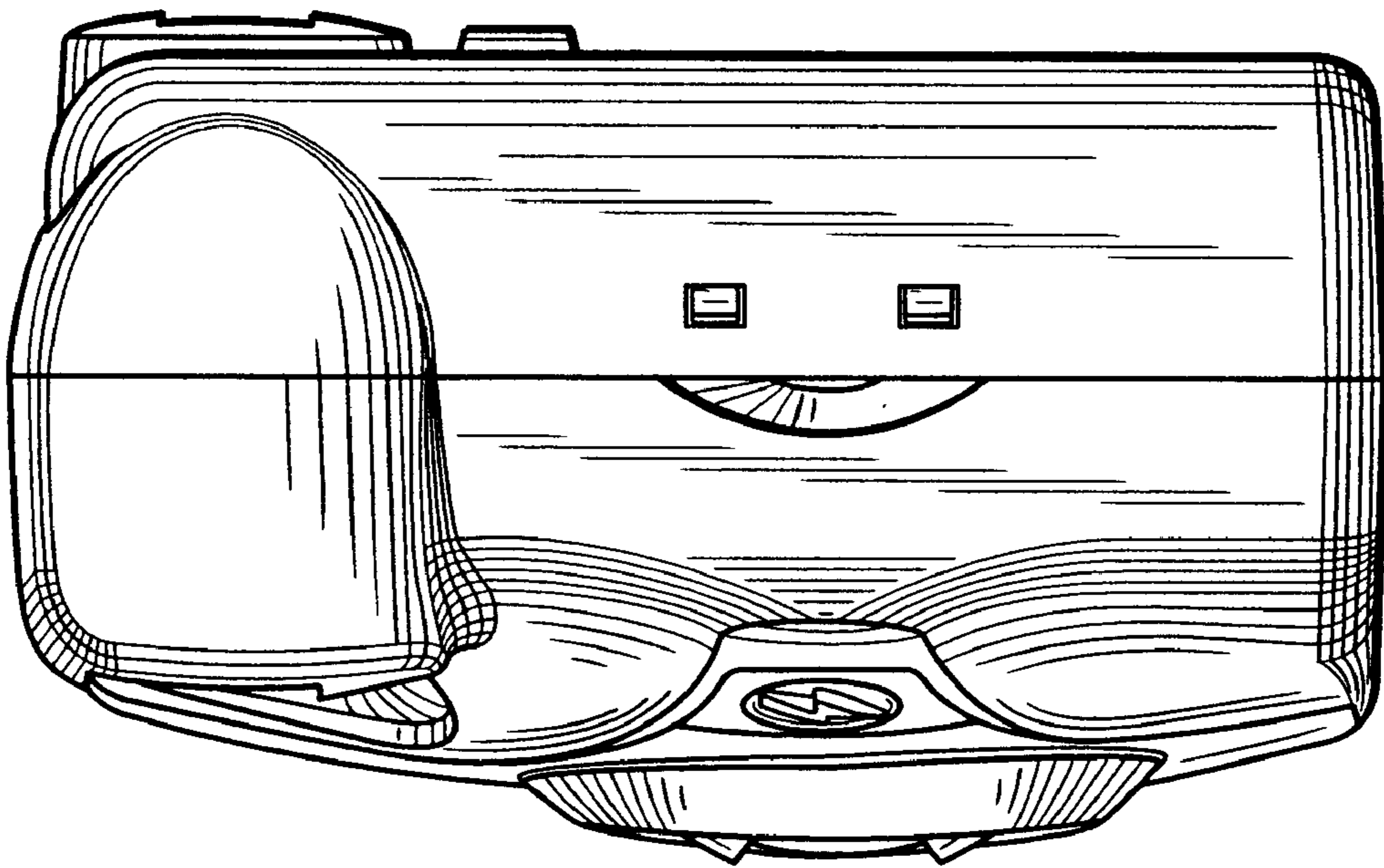


FIG. 7

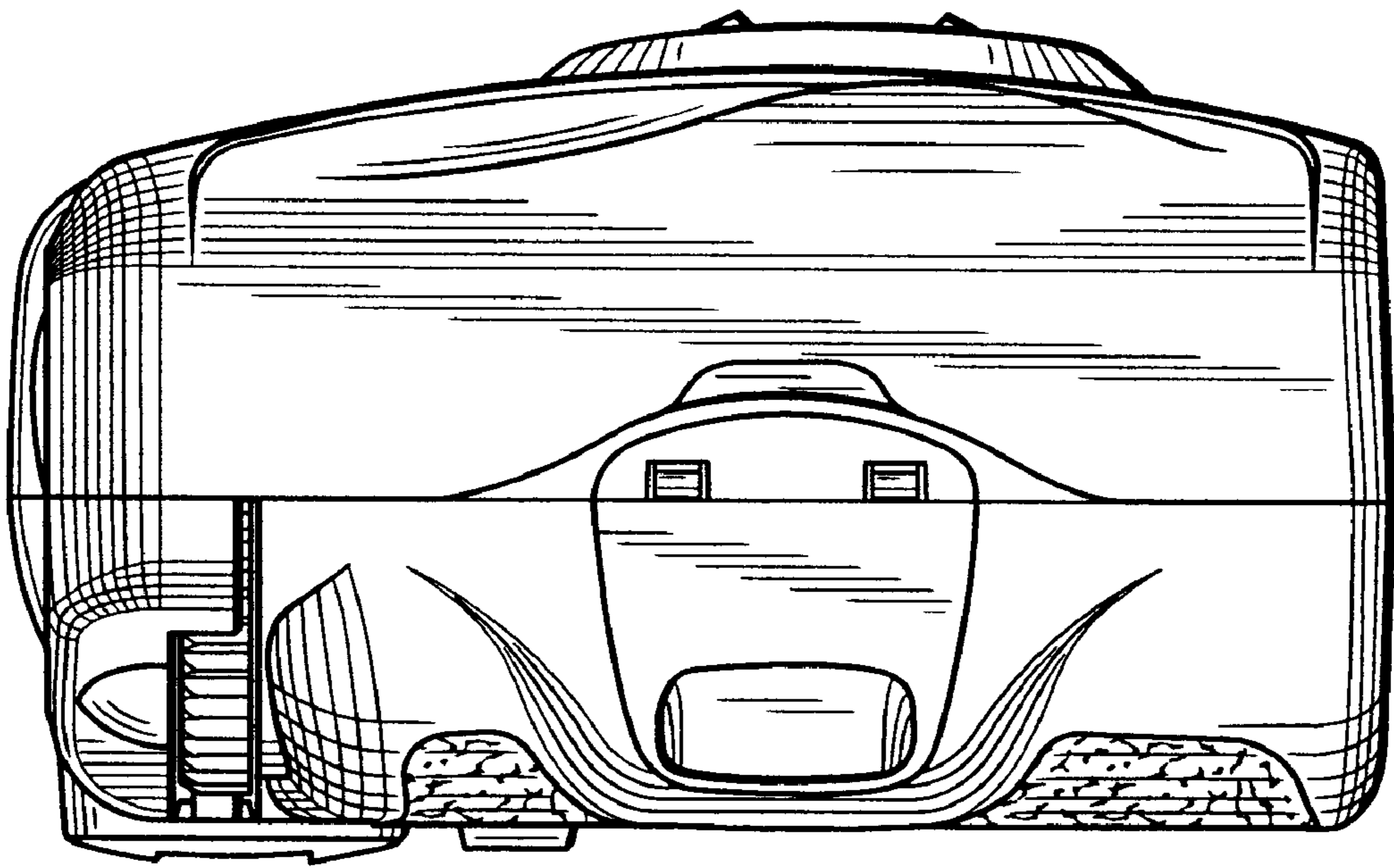


FIG. 8