



US00D472913S

(12) **United States Design Patent**
Rupe

(10) **Patent No.:** **US D472,913 S**

(45) **Date of Patent:** **** Apr. 8, 2003**

(54) **VIDEO CAMERA FOR RELAYING VIDEO TO AN IN-VEHICLE VIDEO RECORDER SYSTEM**

6,333,759 B1 12/2001 Mazzilli 348/148
D455,130 S 4/2002 Skaff et al. D14/126

* cited by examiner

(76) **Inventor:** **Steven M. Rupe**, 3666 Park Ave. West,
P.O. Box 63, Ontario, OH (US) 44862

Primary Examiner—Adir Aronovich
(74) *Attorney, Agent, or Firm*—Taft, Stettinius & Hollister,
LLP

(**) **Term:** **14 Years**

(21) **Appl. No.:** **29/157,343**

(57) **CLAIM**

(22) **Filed:** **Mar. 18, 2002**

The ornamental design for a video camera for relaying video to an in-vehicle video recorder system, as shown and described.

(51) **LOC (7) Cl.** **16-01**

(52) **U.S. Cl.** **D16/202**

(58) **Field of Search** D16/200–205,
D16/208, 218, 219; 348/148, 149, 373–376;
358/906, 909.1; 396/427, 428

DESCRIPTION

(56) **References Cited**

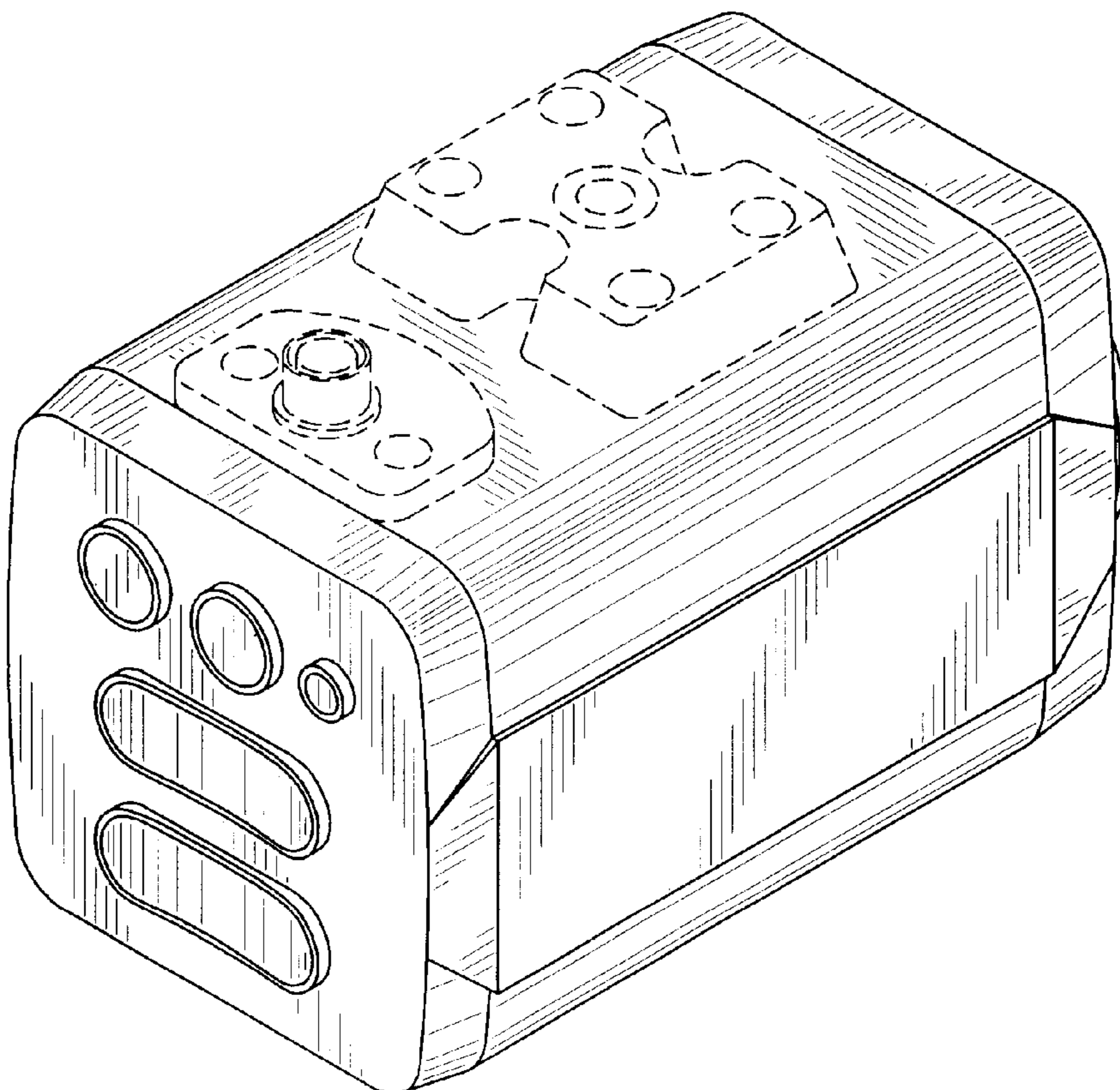
U.S. PATENT DOCUMENTS

4,789,904 A	12/1988	Peterson	348/373
4,815,757 A *	3/1989	Hamilton	348/148
4,949,186 A	8/1990	Peterson	348/149
5,055,863 A *	10/1991	Lindenfelser et al.	348/909.1
D366,270 S *	1/1996	Hasegawa	D16/203
D373,593 S *	9/1996	Hiroko et al.	D16/203
D409,641 S *	5/1999	Uehara	D16/203
D410,936 S *	6/1999	Isono	D16/202
6,198,502 B1 *	3/2001	Watkins	348/148
D442,982 S *	5/2001	Adachi et al.	D16/203

FIG. 1 is a rear perspective view of a video camera for relaying video to an in-vehicle video recorder system, showing my new design;
FIG. 2 is a right side elevational view thereof;
FIG. 3 is a left side elevational view thereof;
FIG. 4 is a top view thereof;
FIG. 5 is a bottom view thereof;
FIG. 6 is a rear view thereof; and,
FIG. 7 is a front view thereof.

The broken lines showing the mounting means, communication port or camera lens in FIGS. 1–4, 6, 7 are for illustrative purposes only and form no part of the claimed design.

1 Claim, 4 Drawing Sheets



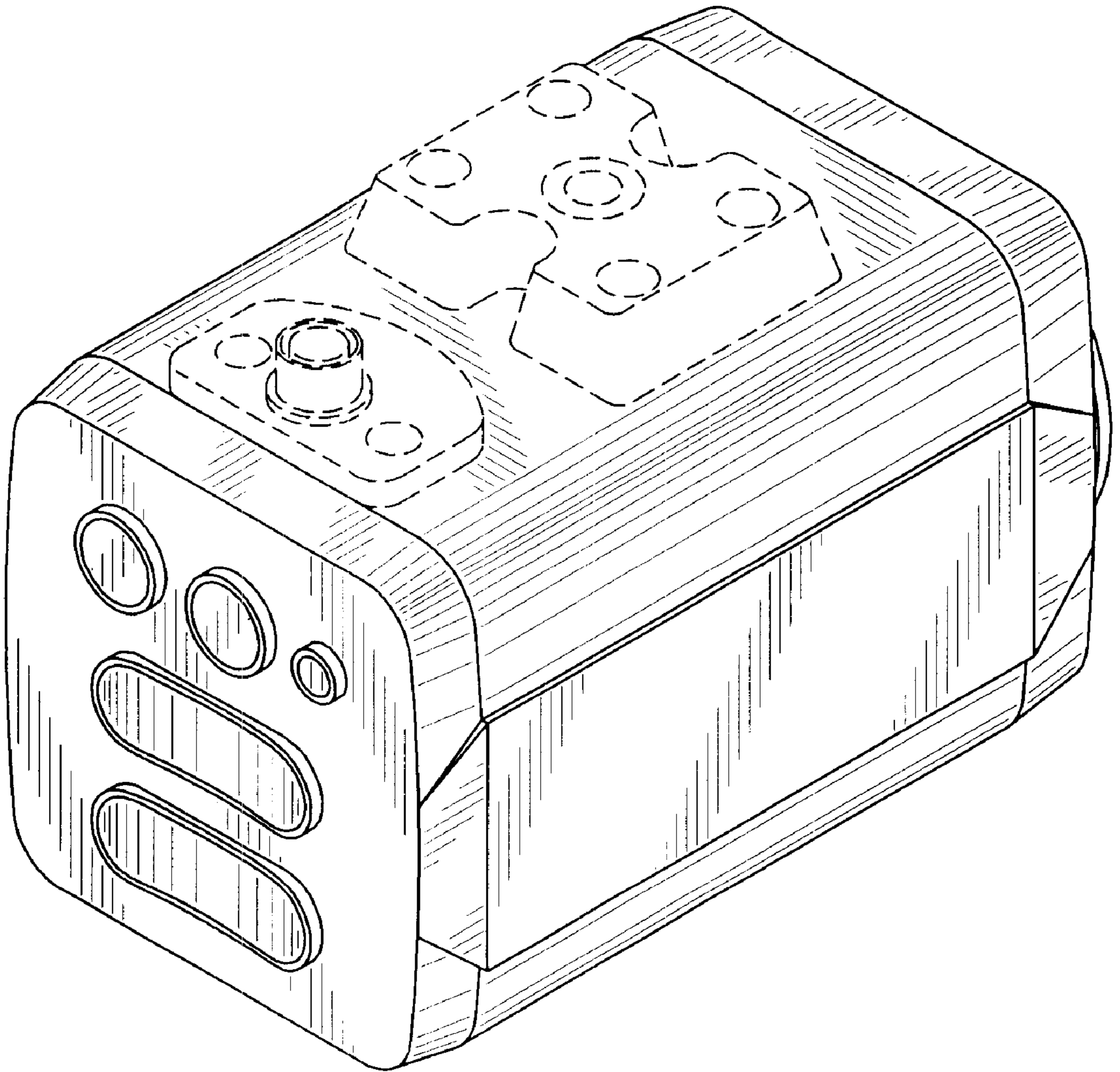


FIG. 1

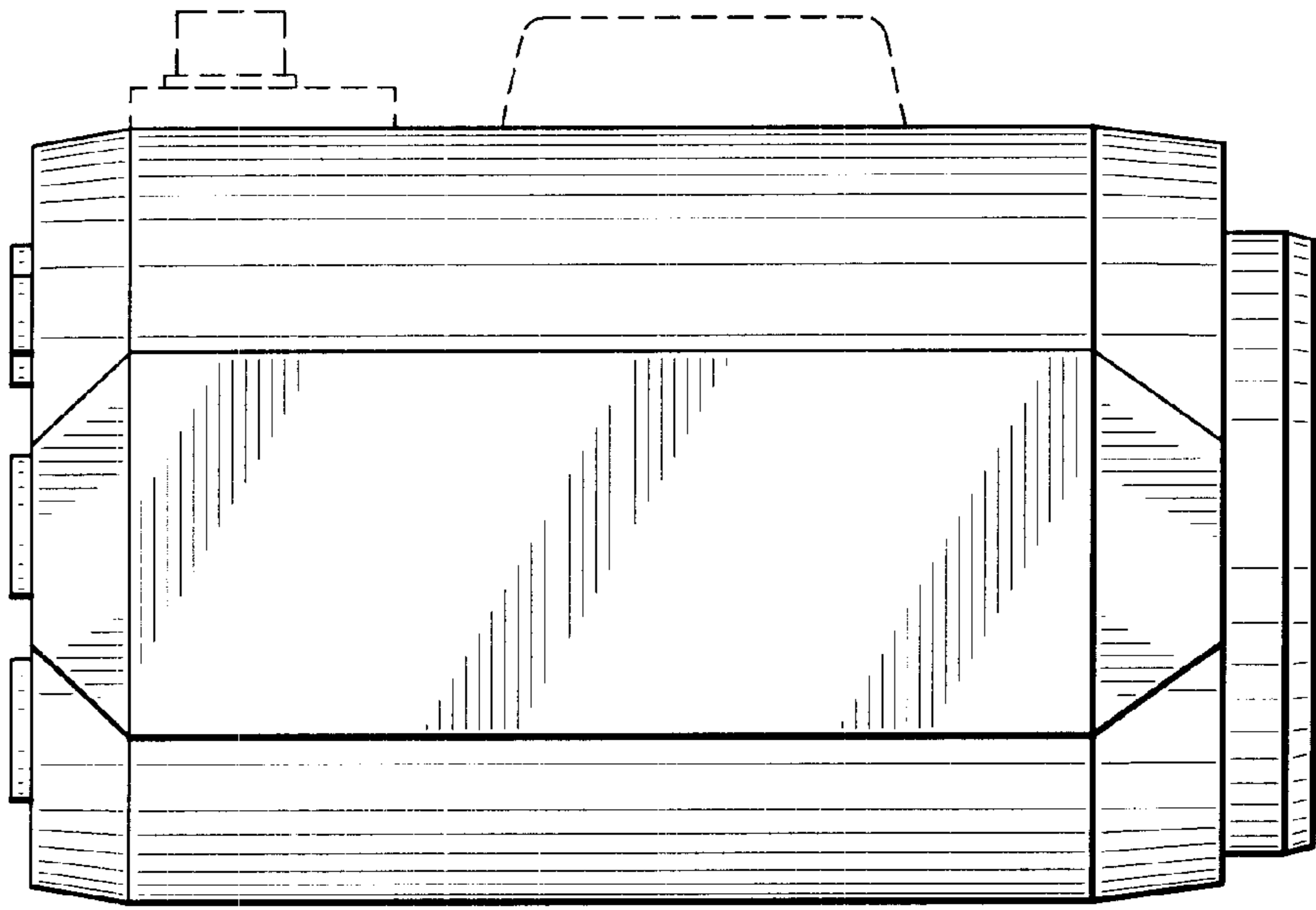


FIG. 2

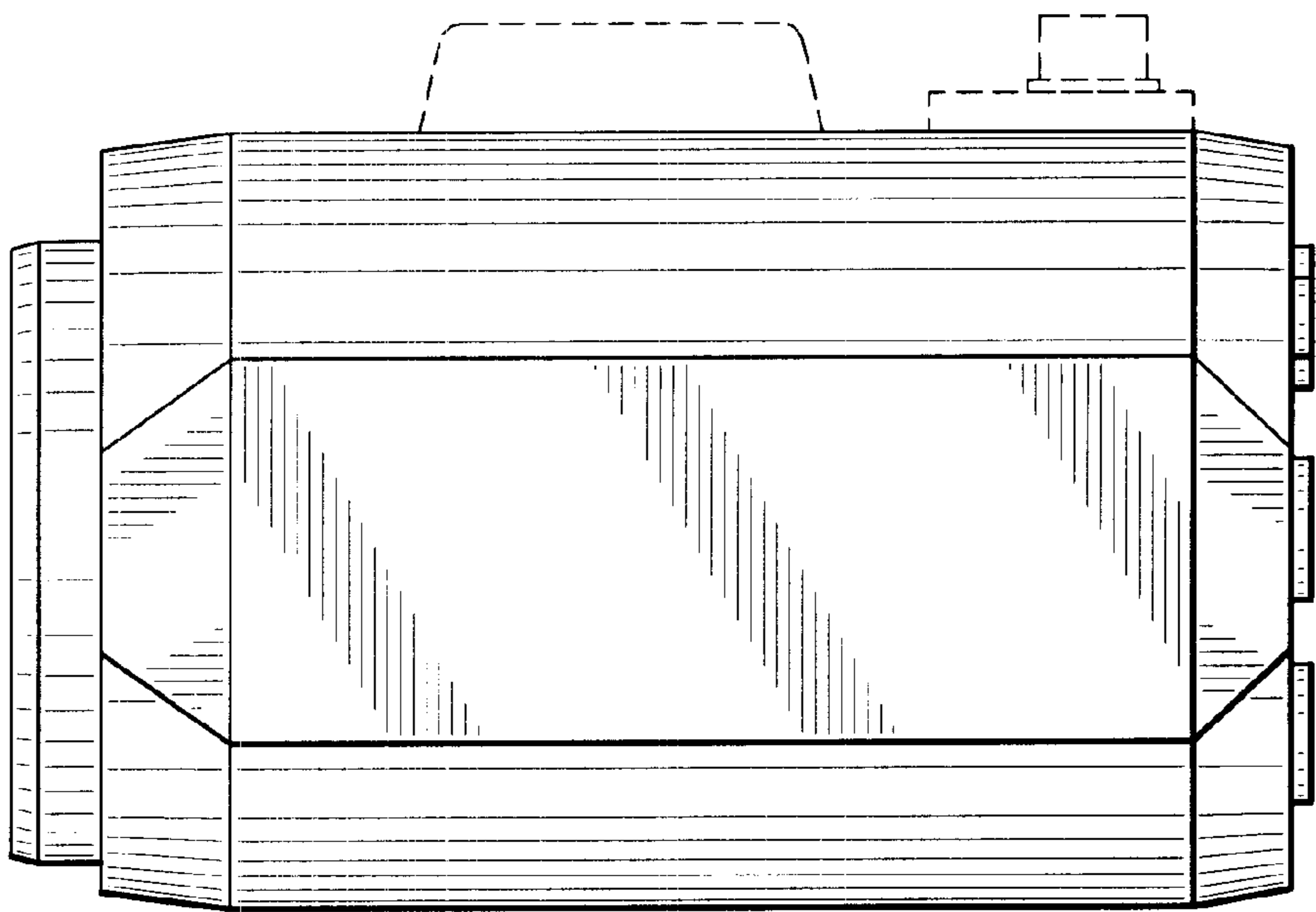


FIG. 3

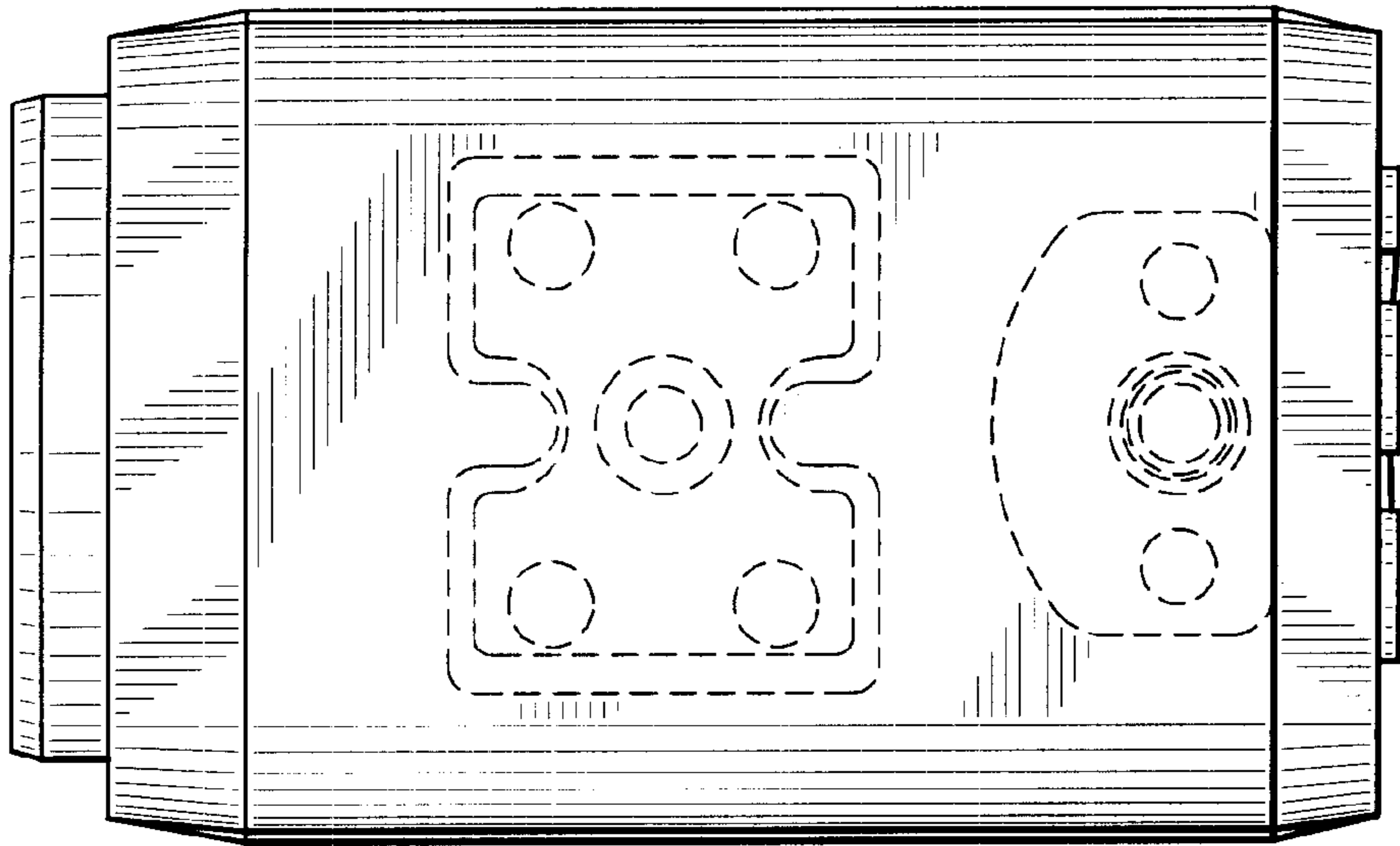


FIG. 4

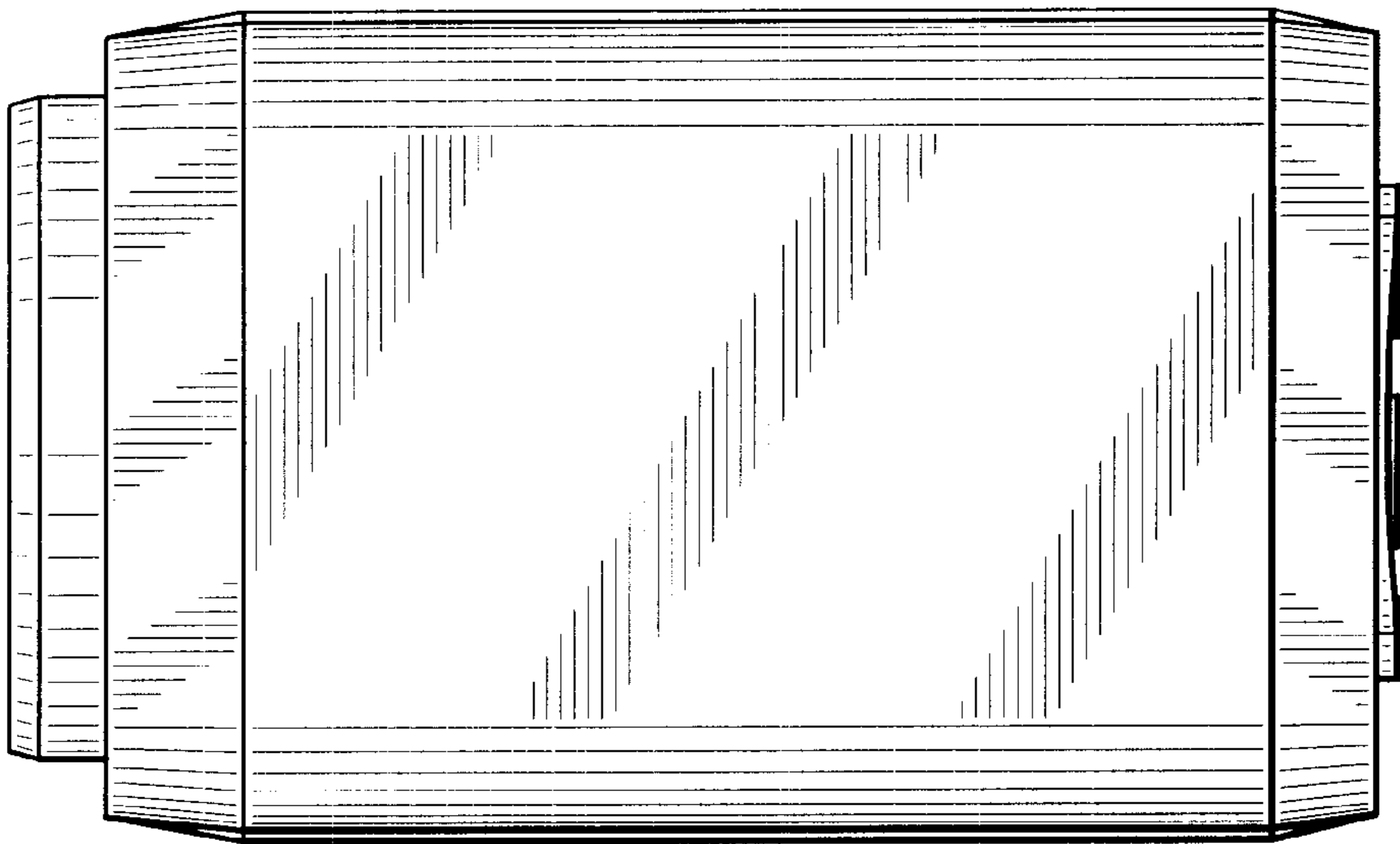


FIG. 5

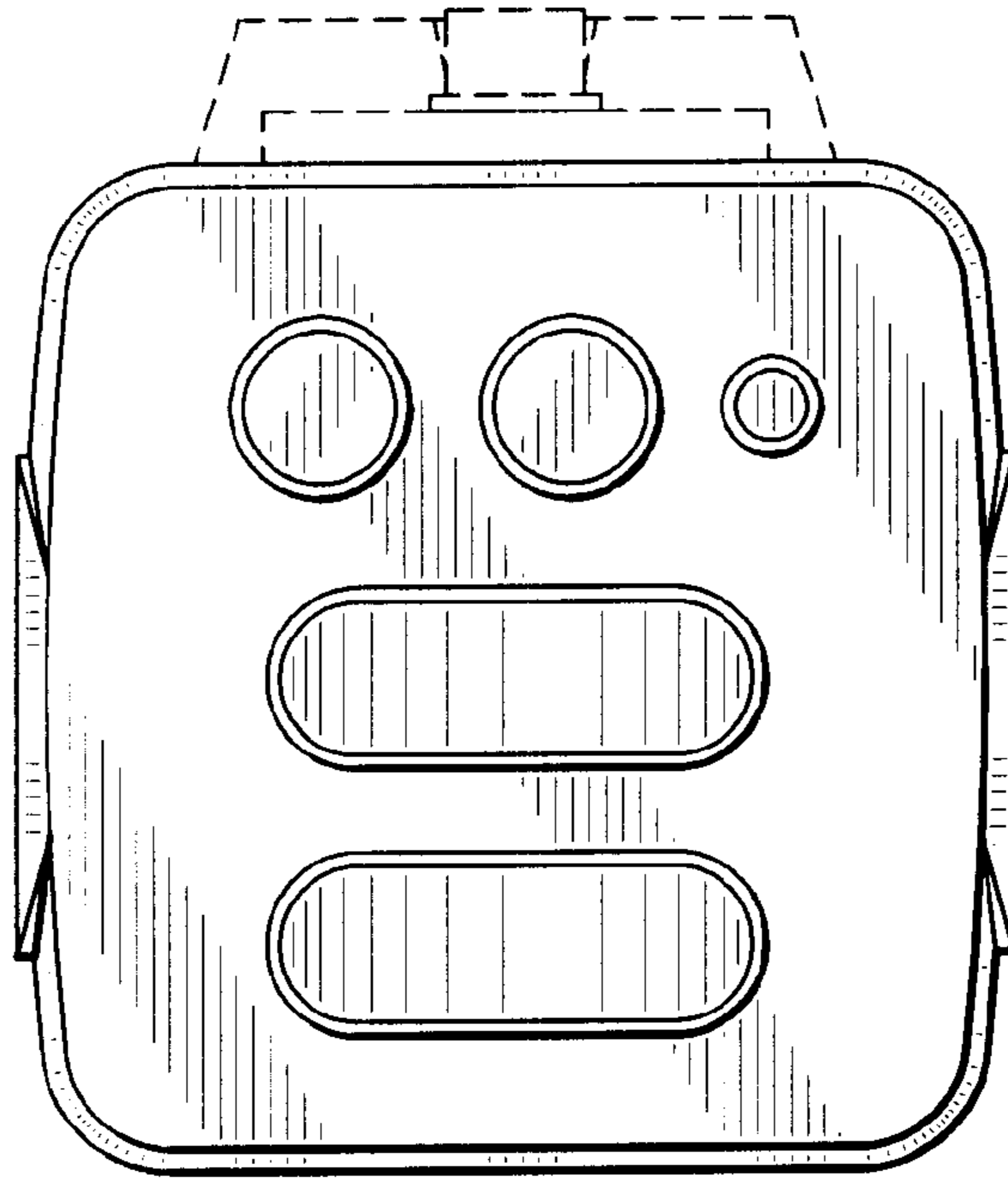


FIG. 6

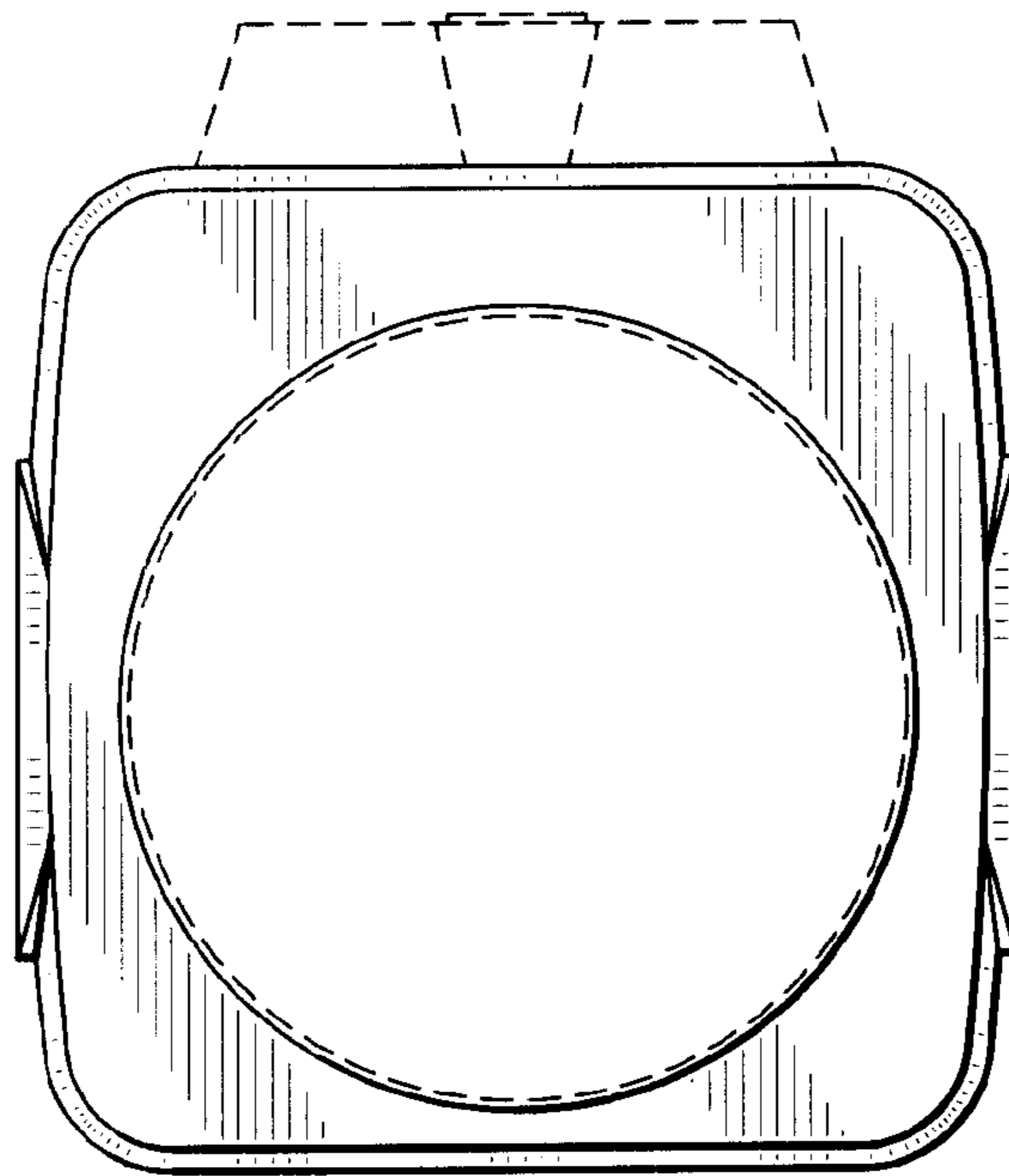


FIG. 7