



US00D472911S

(12) **United States Design Patent**  
**Bielefeld**

(10) **Patent No.:** **US D472,911 S**

(45) **Date of Patent:** **\*\* Apr. 8, 2003**

(54) **PORTABLE THERMAL IMAGER**

6,008,779 A \* 12/1999 Ellis ..... 345/8  
D424,081 S \* 5/2000 Gordon ..... D16/130  
6,486,473 B2 \* 11/2002 Salapow et al. .... 250/330

(75) Inventor: **Eric Bielefeld**, Lexington, KY (US)

(73) Assignee: **E. D. Bullard Company**, Cynthiana, KY (US)

(\*\*) Term: **14 Years**

\* cited by examiner

*Primary Examiner*—Paula A. Mortimer  
(74) *Attorney, Agent, or Firm*—Stites & Harbison, PLLC;  
David W. Nagle, Jr.

(21) Appl. No.: **29/163,262**

(57) **CLAIM**

(22) Filed: **Jul. 1, 2002**

The ornamental design for a portable thermal imager, as shown and described.

(51) **LOC (7) Cl.** ..... **16-06**

(52) **U.S. Cl.** ..... **D16/130**

(58) **Field of Search** ..... D16/130, 133,  
D16/200–203; 359/630, 402, 403, 406,  
429, 857, 407, 409; 250/330, 333, 332;  
345/8

**DESCRIPTION**

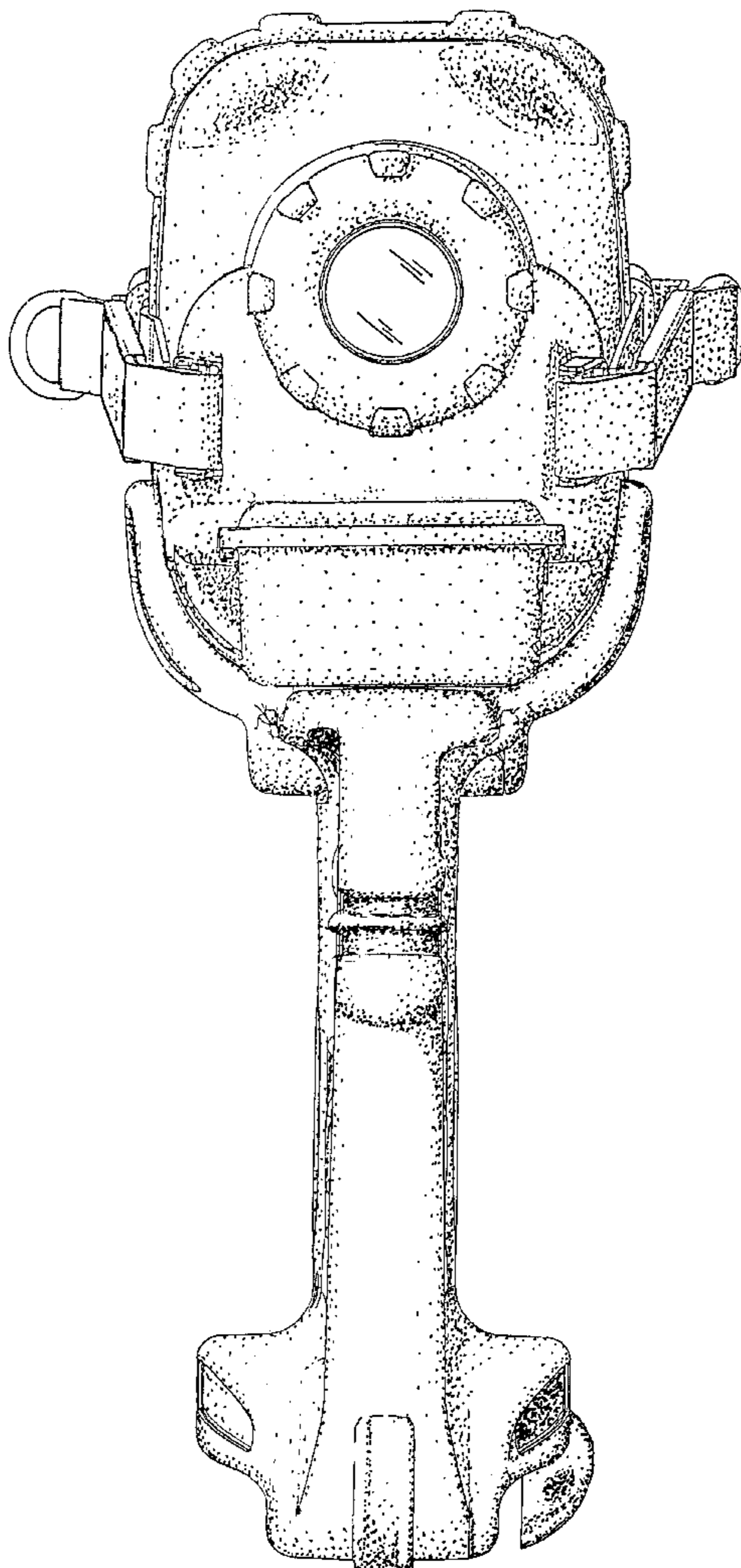
FIG. 1 is a rear view of a portable thermal imager showing my new design;  
FIG. 2 is a front view thereof;  
FIG. 3 is a left side view thereof;  
FIG. 4 is a right side view thereof;  
FIG. 5 is a top view thereof; and,  
FIG. 6 is a bottom view thereof.

(56) **References Cited**

**U.S. PATENT DOCUMENTS**

5,786,932 A \* 7/1998 Pniel ..... 359/409  
5,861,994 A \* 1/1999 Kelly ..... 359/630

**1 Claim, 5 Drawing Sheets**



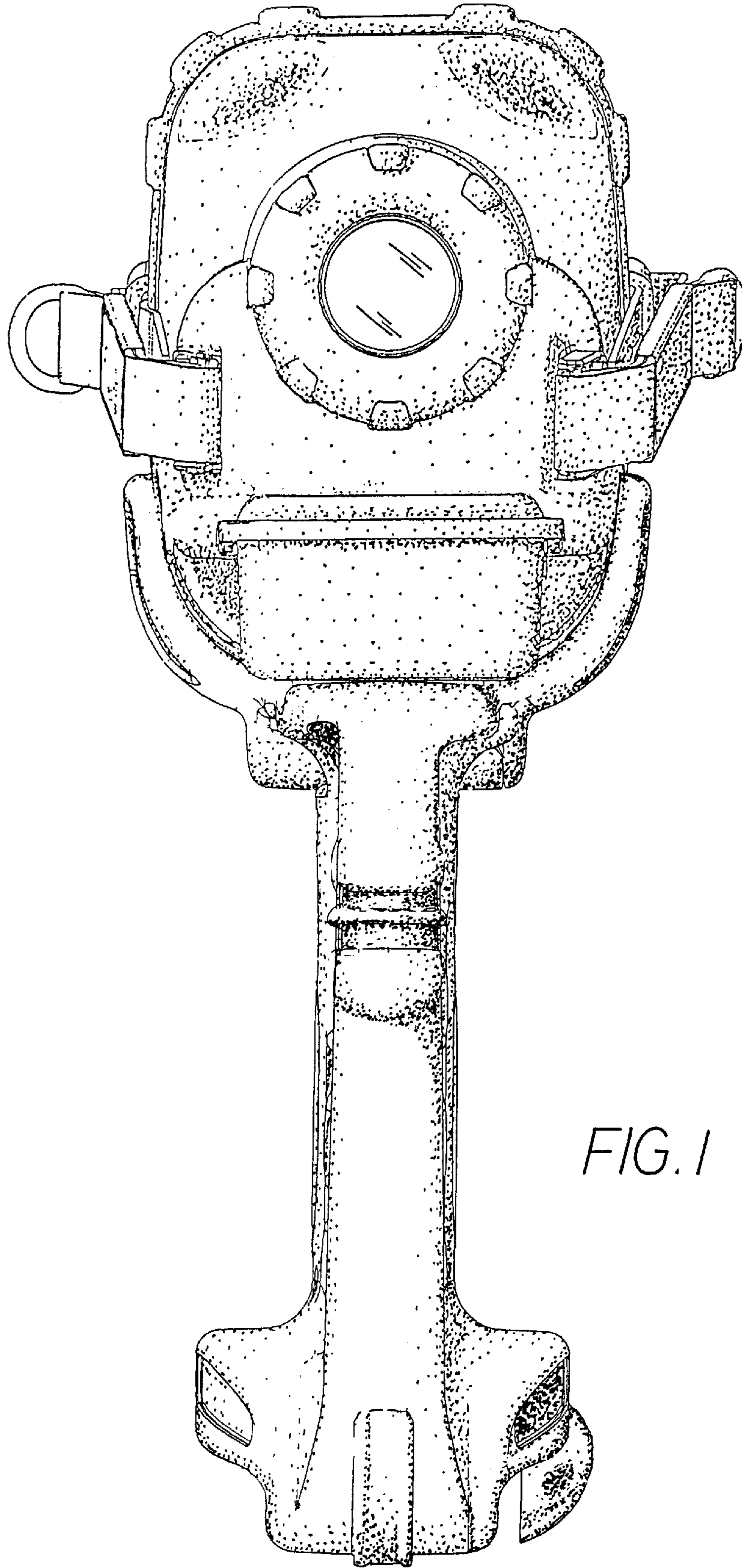


FIG. 1

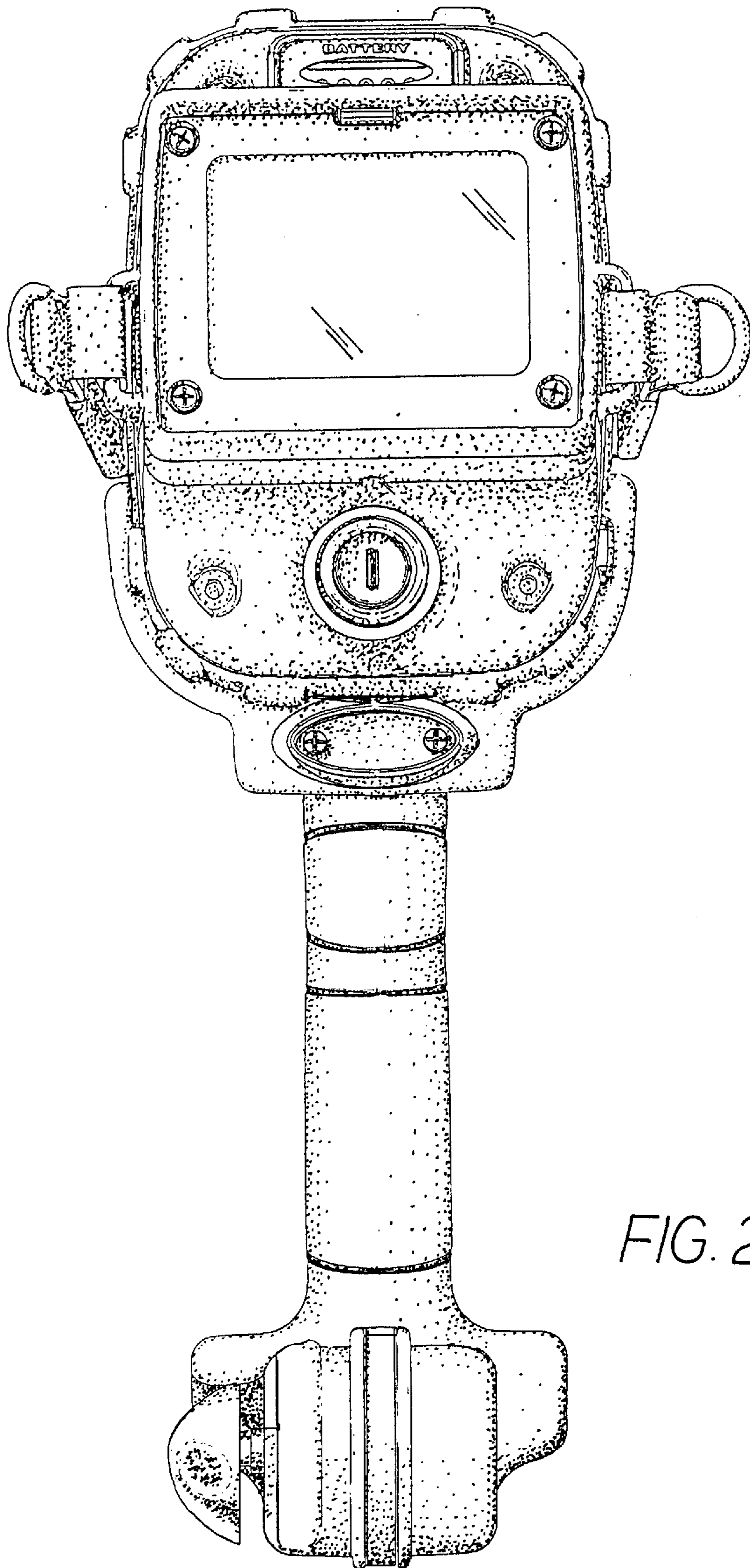


FIG. 2

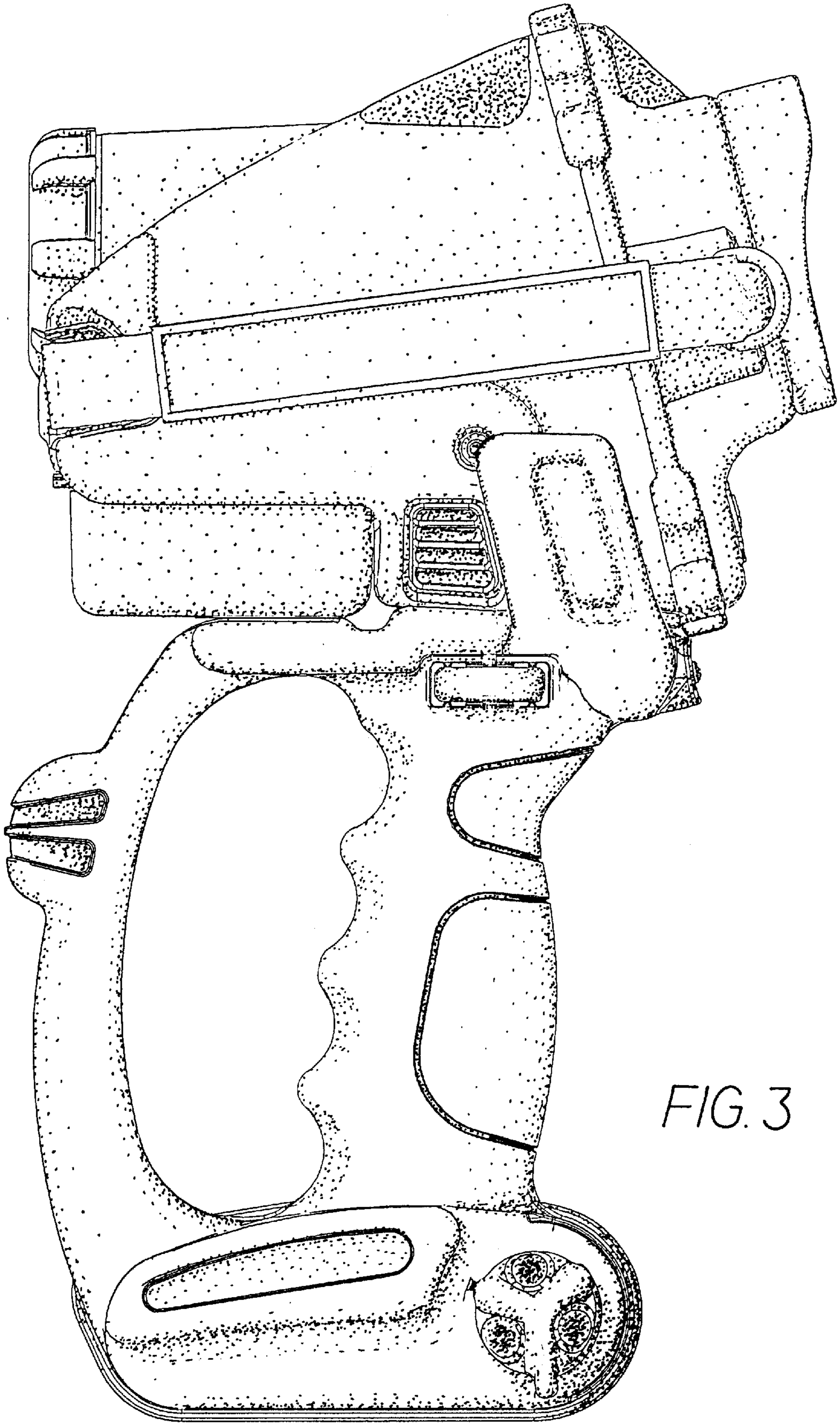


FIG. 3

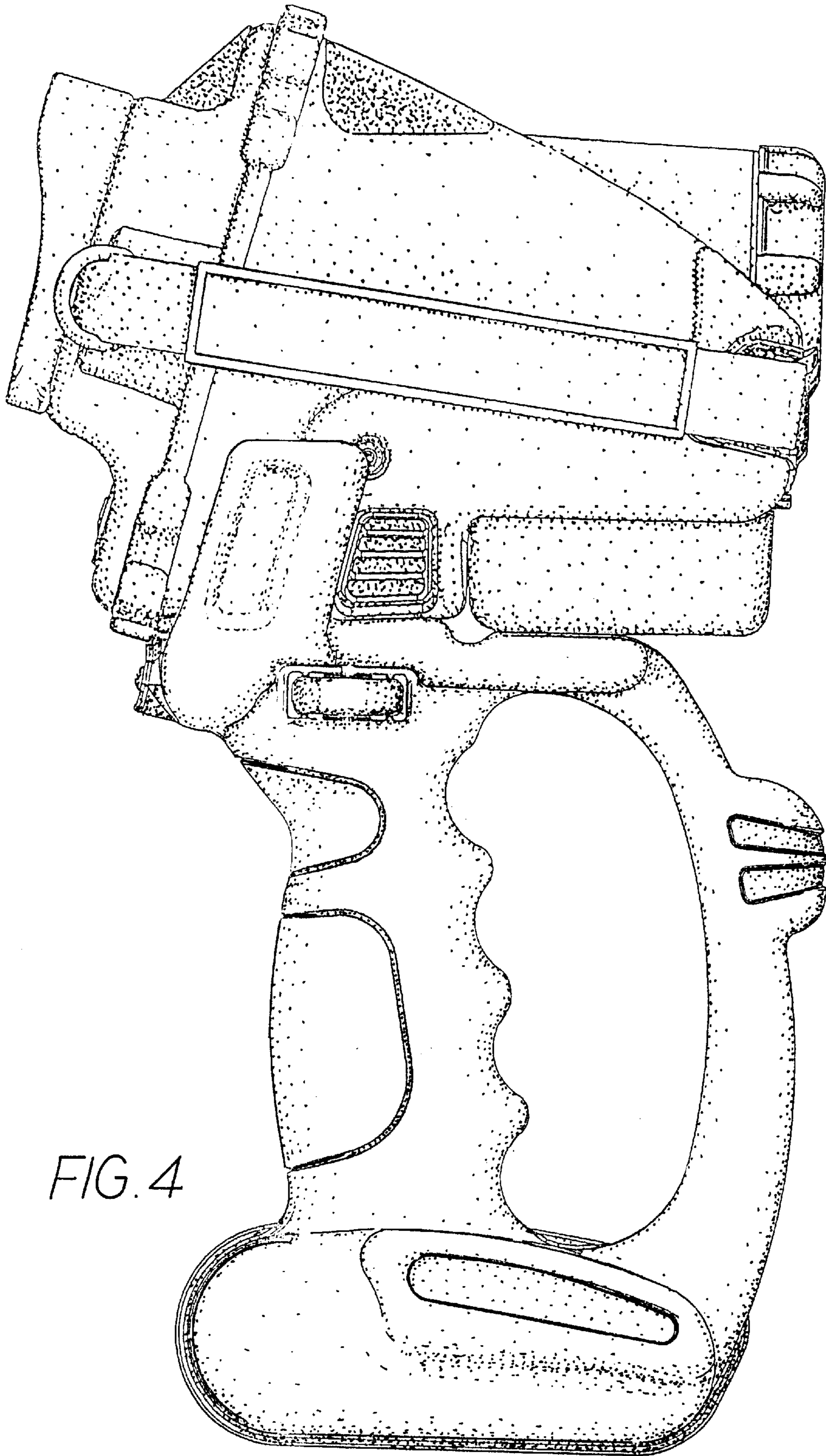


FIG. 4

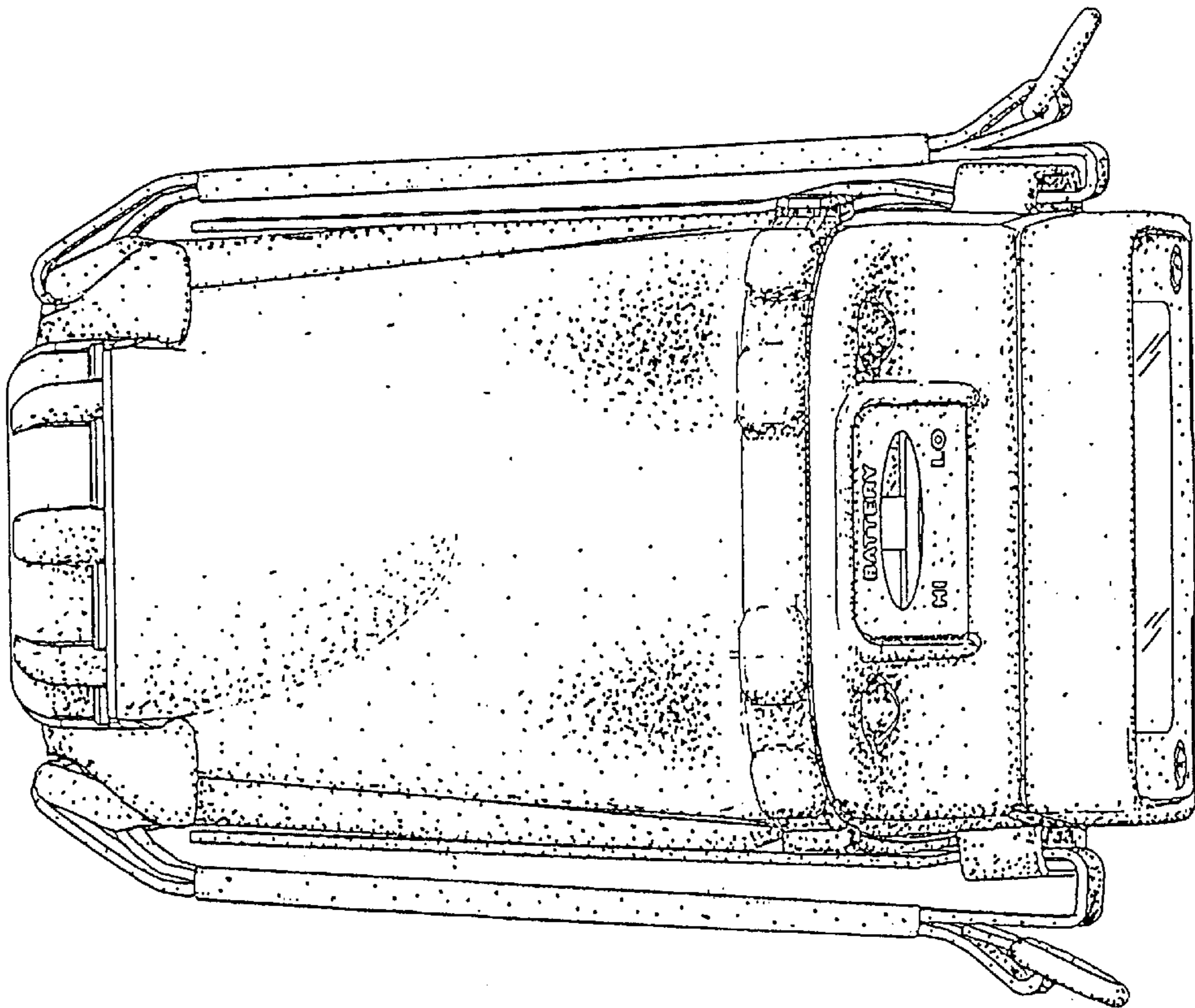


FIG. 5

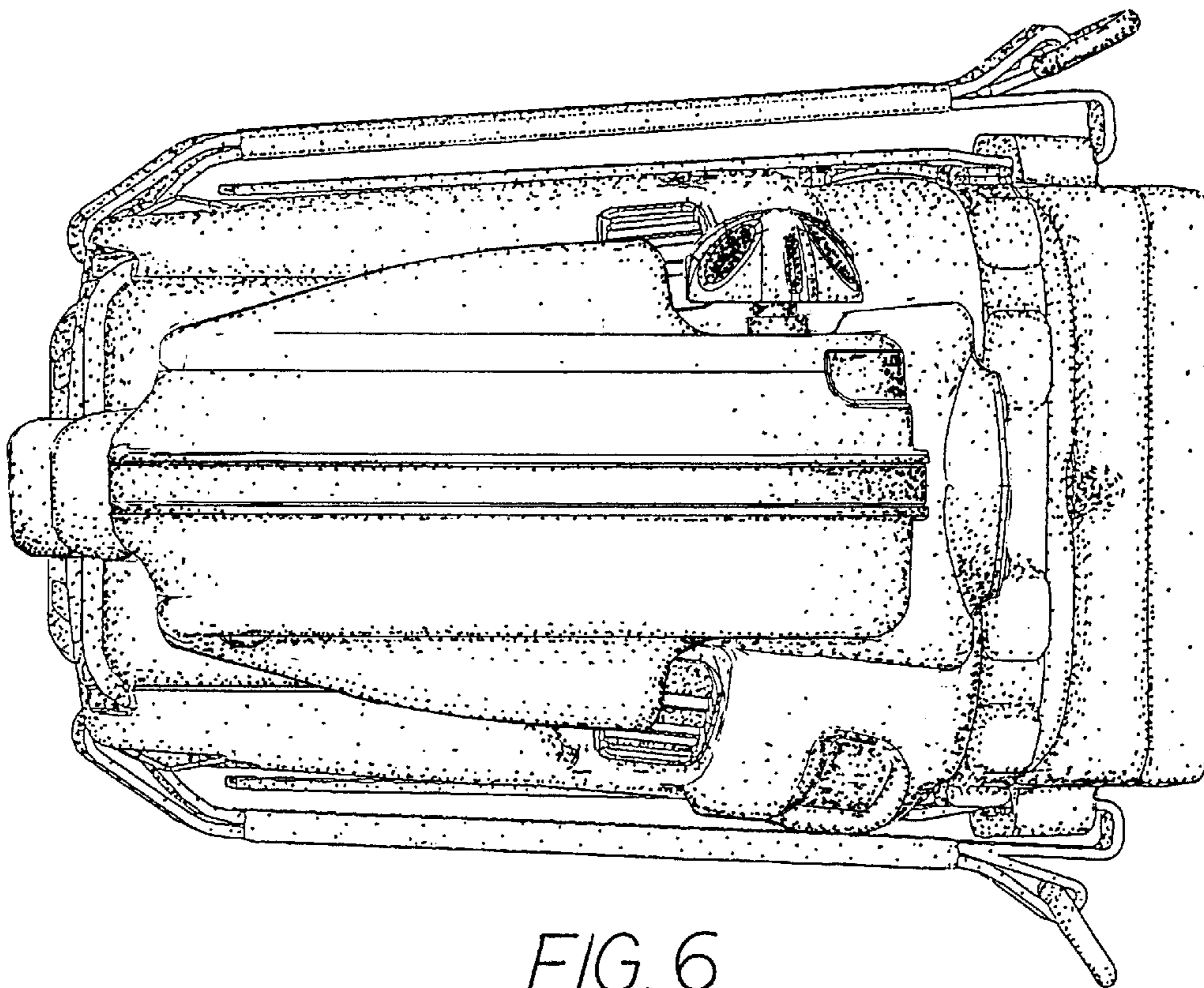


FIG. 6