



US00D472910S

(12) **United States Design Patent**  
**Mullet et al.**

(10) **Patent No.:** **US D472,910 S**  
(45) **Date of Patent:** **\*\* Apr. 8, 2003**

- (54) **MOTOR HOUSING FOR AN OVERHEAD DOOR OPERATOR**
- (75) Inventors: **Willis J. Mullet**, Gulf Breeze, FL (US);  
**Derek S. Paquette**, Robertsedale, AL (US)
- (73) Assignee: **Wayne-Dalton Corp.**, Mt. Hope, OH (US)
- (\*\*) Term: **14 Years**
- (21) Appl. No.: **29/157,217**
- (22) Filed: **Mar. 13, 2002**

**Related U.S. Application Data**

- (62) Division of application No. 29/132,539, filed on Nov. 10, 2000.
- (51) **LOC (7) Cl.** ..... **15-99**
- (52) **U.S. Cl.** ..... **D15/199**
- (58) **Field of Search** ..... D15/199; 49/26,  
49/139, 199, 280, 362

**References Cited**

**U.S. PATENT DOCUMENTS**

D402,300 S \* 12/1998 Doppelt et al. .... D15/199

**OTHER PUBLICATIONS**

*International Door & Operator Industry*, Sep. 1998, cover and pp. 3, 56, 57, 100 & 133.

Advertising brochure entitled "Wayne Dalton 'Quantum' Garage Door Openers", ©Copyright 1997 Wayne-Dalton Corp.

Advertising brochure entitled "Wayne Dalton 'Quantum +Plus' Garage Door Opener", ©Copyright 1996 Wayne-Dalton Corp.

Advertising brochure entitled "WIZARD", ©1994 Wayne-Dalton Corp.

Advertising brochure entitled "All The Real Power You Need", ©1996, Wayne-Dalton Corp.

Product information file folder entitled "Build Our Quality Innovations Into Your Construction Plans", ©Copyright 1997 Wayne-Dalton Corp.

Advertising brochure entitled "GENIE 912 The Single Solution", ©1994 GMI Professional Access Systems.

Advertising brochure entitled "Screwing up has its advantages. The Genie BlueMax Screw Drive from GMI.", ©1994 GMI.

Advertising brochure entitled "It takes a smooth operator to convince your customers. Genie Pro Screw Drive Garage Door Operators", ©1994 GMI.

Point of Purchase Materials Order Form entitled "GMI Garage Door Operators", ©1994, The Genie Company.

Advertising brochure entitled "Let's put our heads together.", ©1994 GMI.

Advertising brochure entitled "How To Make A Garage Door Opener Even Better", ©1994, GMI.

Advertising brochure entitled "Promax Stealth Ultra-Quiet DC Drive Belt & Chain Drive Garage Door Openers", ©1994, GMI.

Advertising brochure entitled "Genie Bluemax Deluxe Screw Drive Garage Door Openers", ©1994, GMI.

Advertising brochure entitled "Genie Pro Screw Drive Garage Door Opening System", ©1994, GMI.

Advertising brochure entitled "We're beginning a silent revolution. Promax Stealth Belt & Chain Drive Garage Door Operators", ©1994 GMI.

Miracle Instrument Co. advertisement, *International Door & Operator Industry*, Sep. 1999, cover and p. 128.

\* cited by examiner

*Primary Examiner*—Antoine Duval Davis

(74) *Attorney, Agent, or Firm*—Renner, Kenner, Greive, Bobak, Taylor & Weber

**CLAIM**

The ornamental design for a motor housing for an overhead door operator, as shown and described.

**DESCRIPTION**

FIG. 1 is a top, front, and left side perspective view of a motor housing for an overhead door operator;

FIG. 2 is a top plan view of the motor housing for an overhead door operator as shown in FIG. 1;

FIG. 3 is a front elevational view thereof;

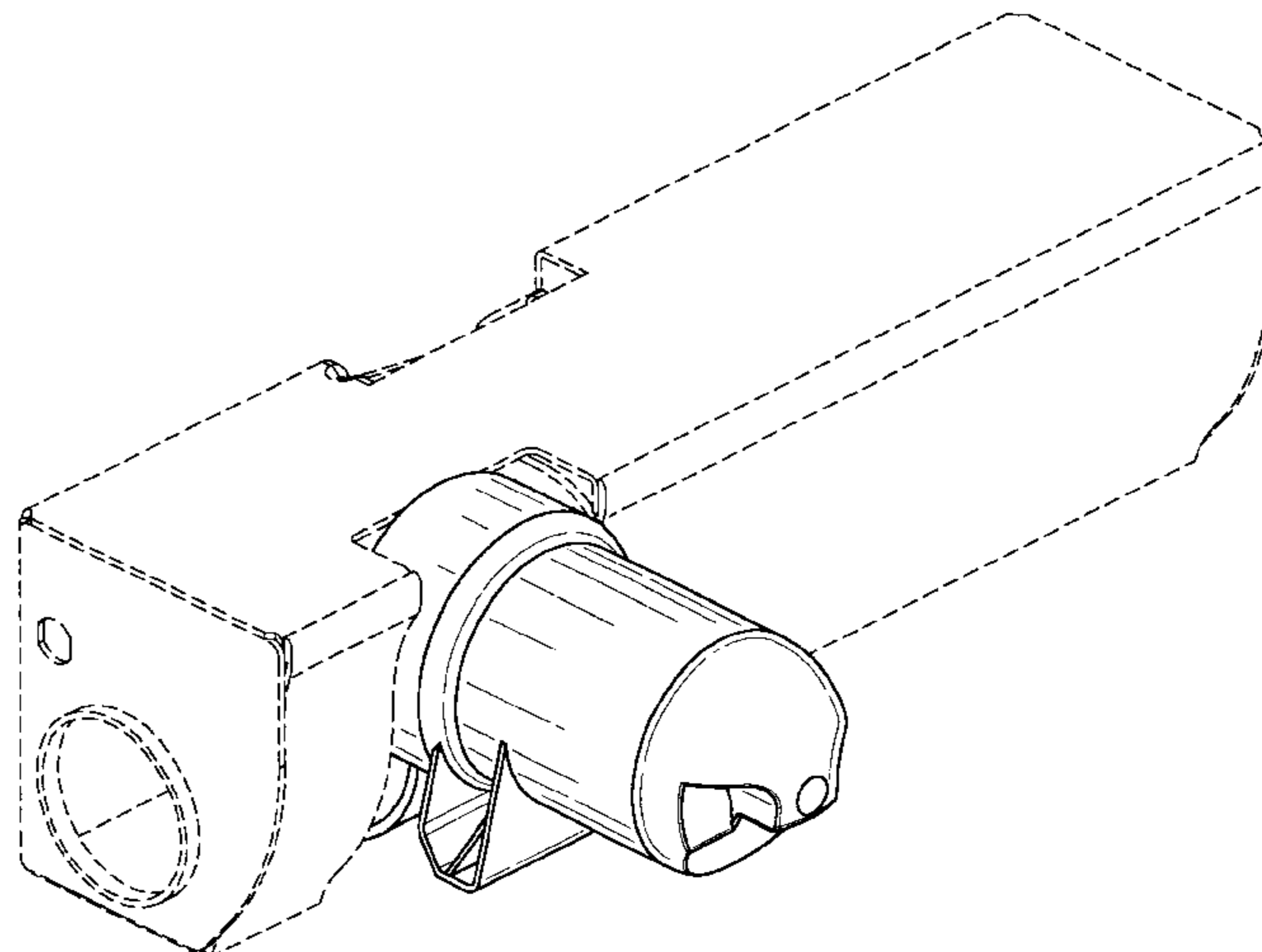
FIG. 4 is a bottom plan view thereof;

FIG. 5 is a right side elevational view thereof; and,

FIG. 6 is a left side elevational view thereof.

The portions of the design shown in dotted lines depict environment only and are not part of the claimed invention.

**1 Claim, 4 Drawing Sheets**



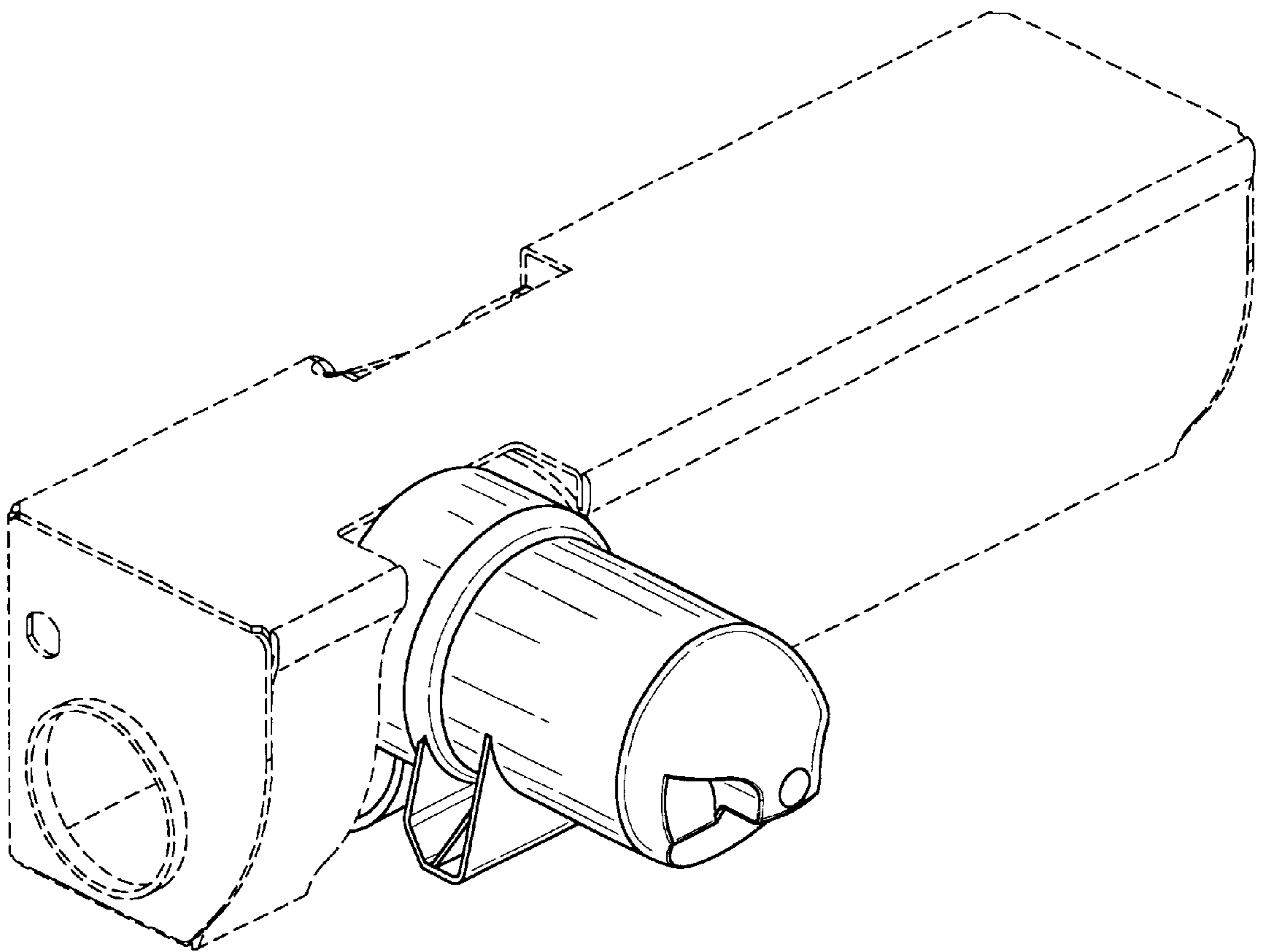
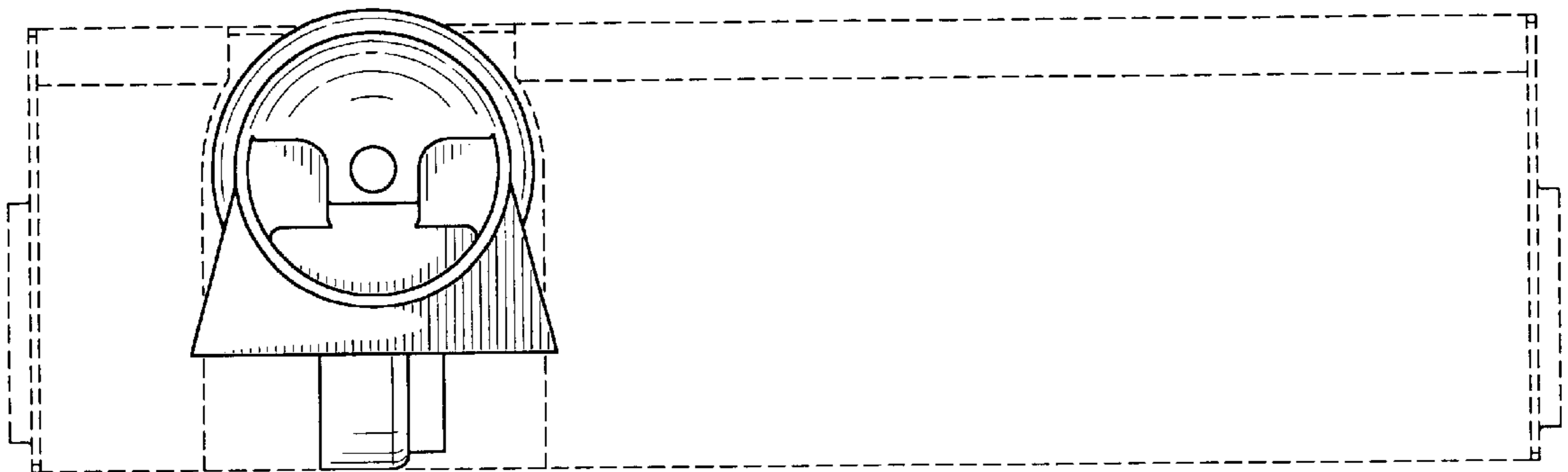
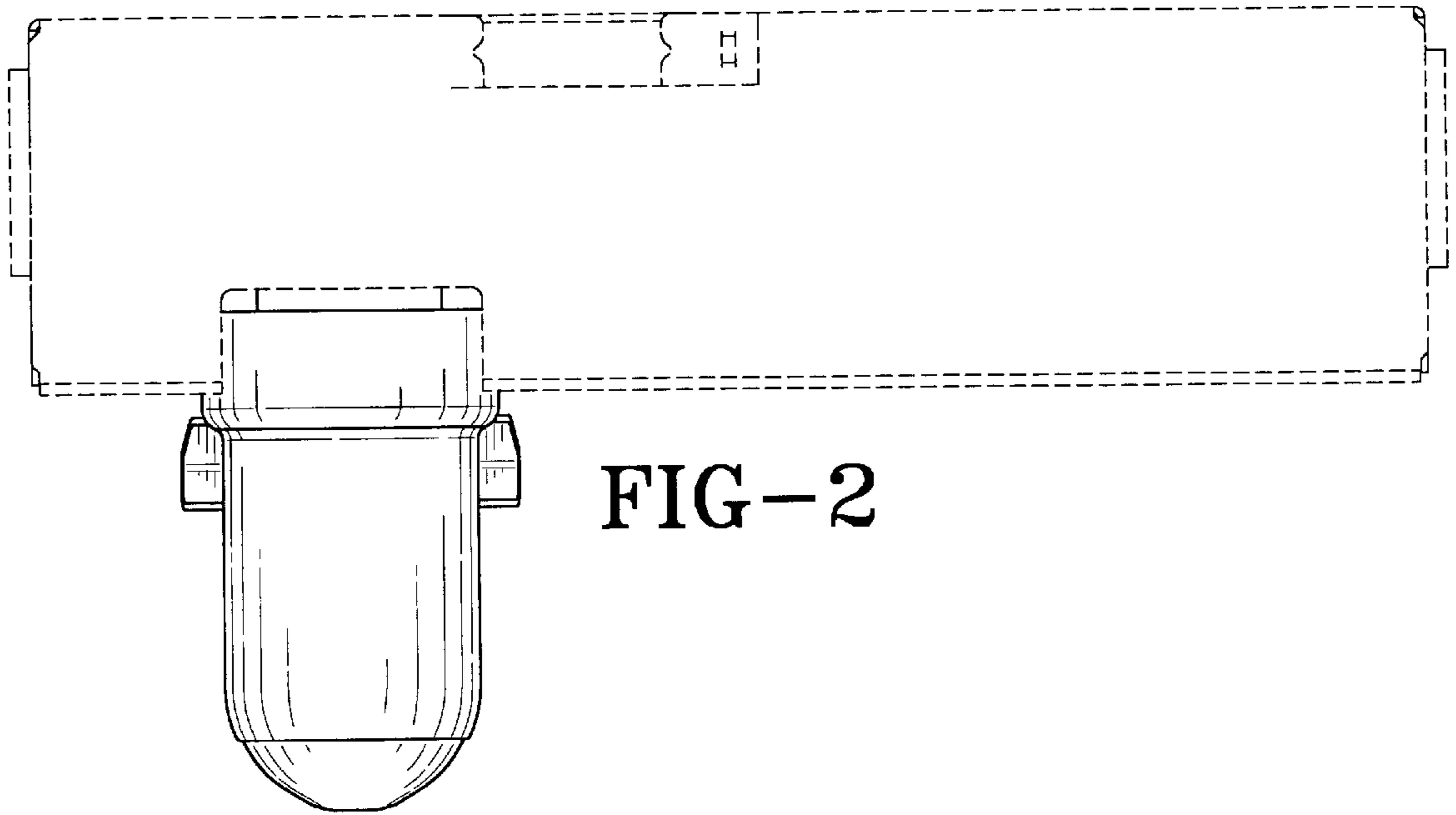


FIG-1



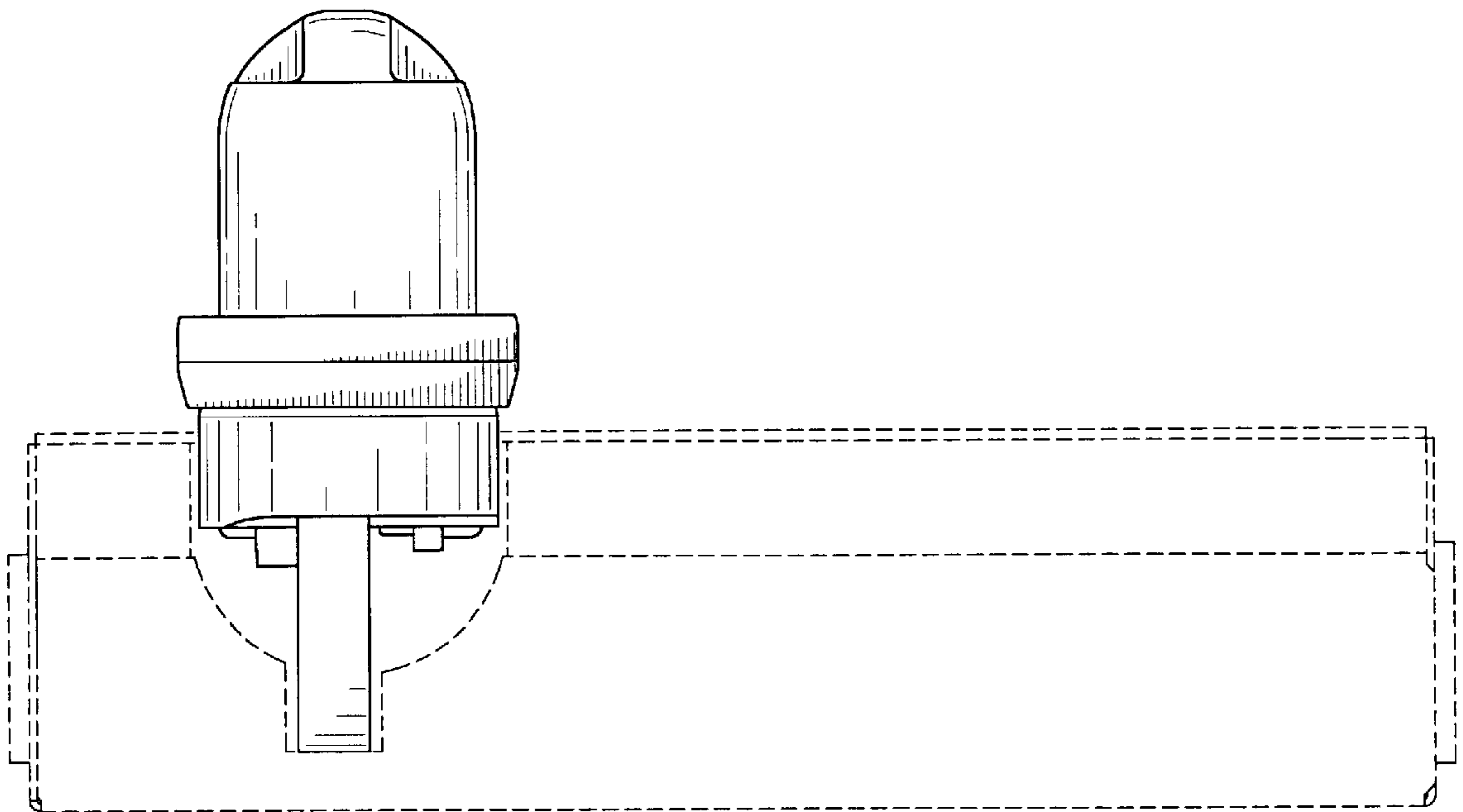


FIG-4

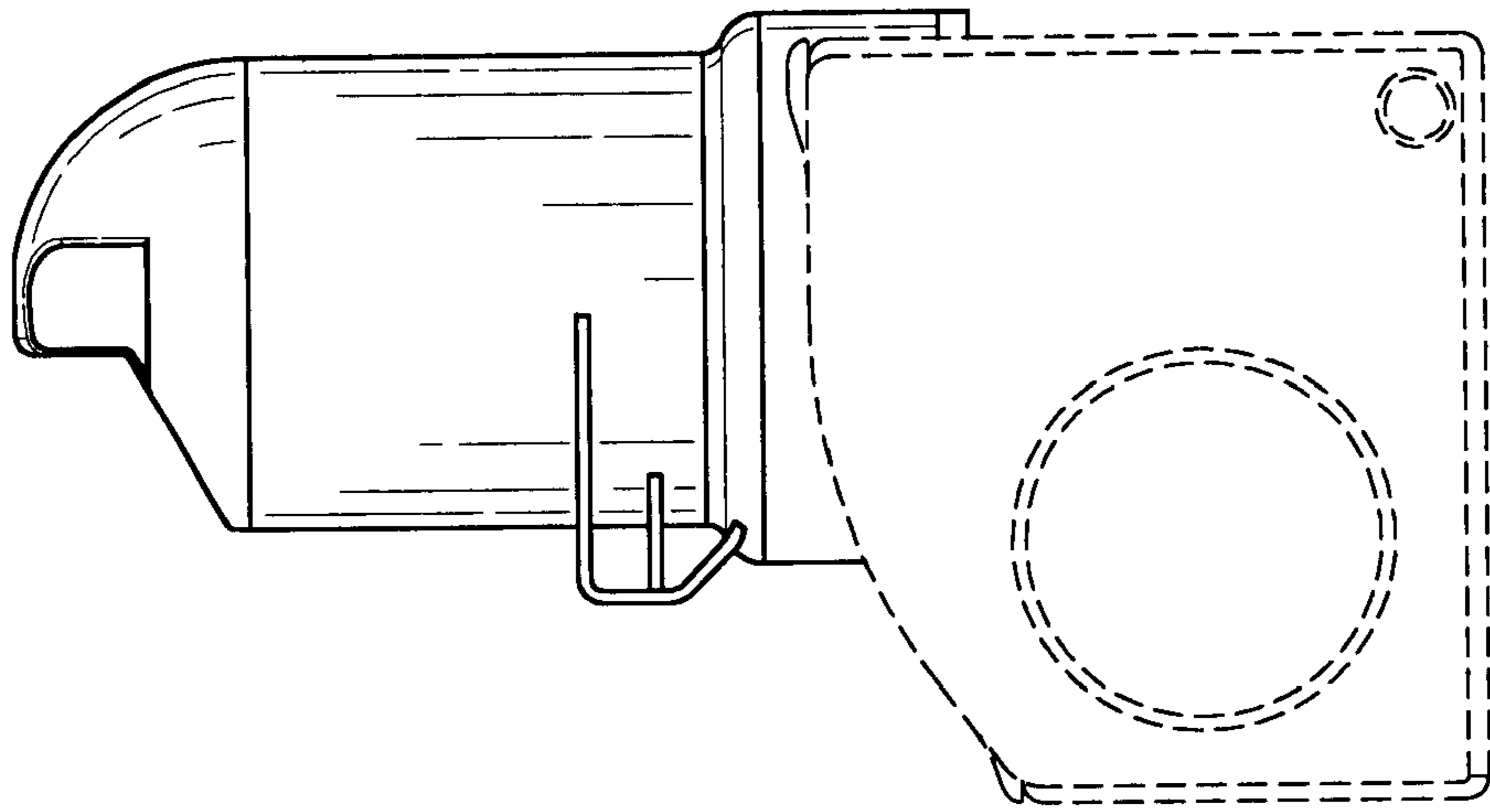


FIG-5

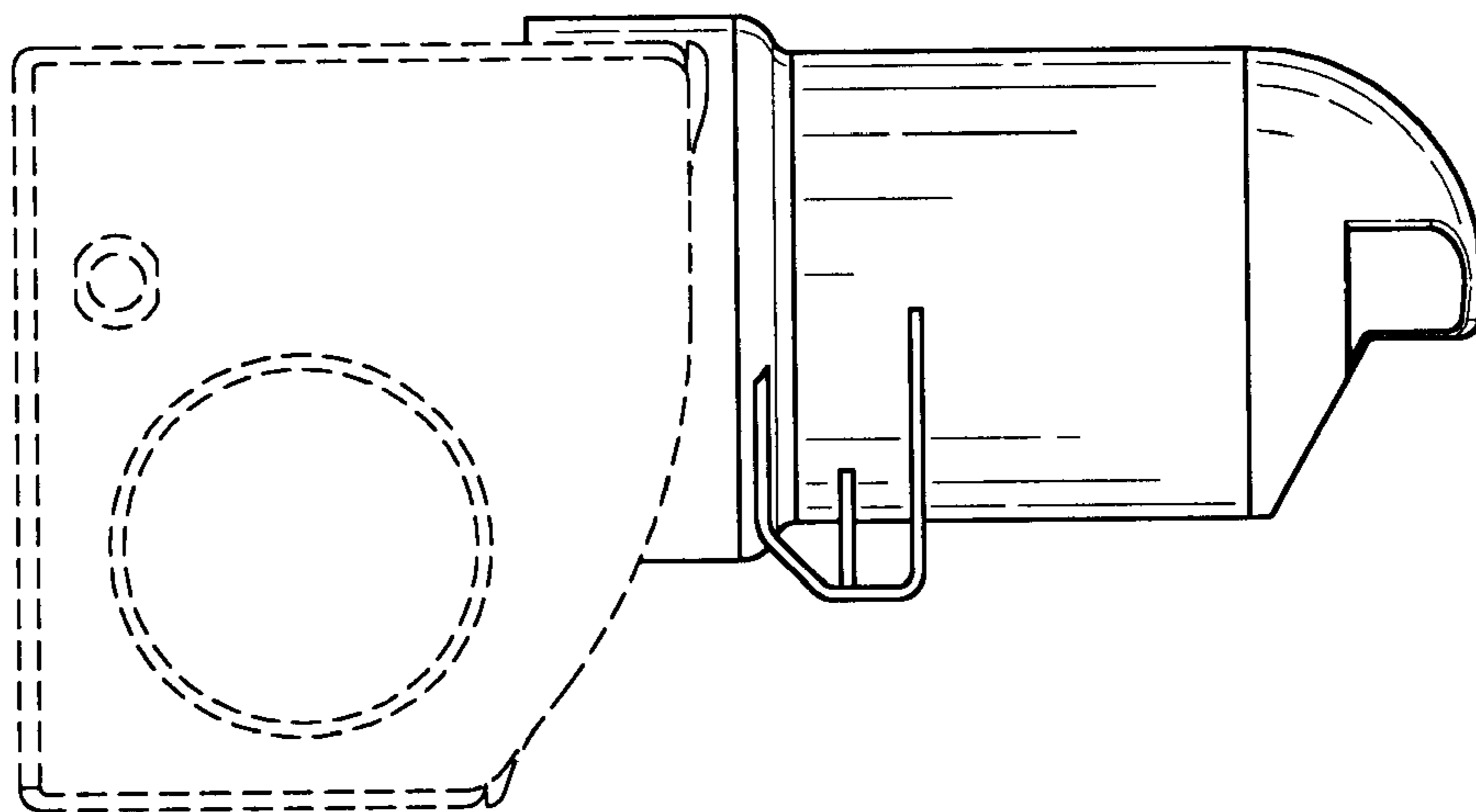


FIG-6