



US00D472909S

(12) **United States Design Patent**
Satake et al.

(10) **Patent No.:** **US D472,909 S**

(45) **Date of Patent:** **** Apr. 8, 2003**

(54) **RICE CLEANING MACHINE**

4,843,957 A * 7/1989 Satake 99/519
5,076,156 A * 12/1991 Ohike et al. 99/519 X
5,259,303 A * 11/1993 Yamamoto et al. 99/519

(75) Inventors: **Satoru Satake**, Tokyo (JP); **Takuma Nakaso**, Tokyo (JP); **Kenji Morita**, Higashihiroshima (JP); **Takashi Hirai**, Tokyo (JP); **Kazuto Nonaka**, Tokyo (JP)

OTHER PUBLICATIONS

Catalog, TWP50A, Satake Corporation, Jun. 6, 2000.
Catalog, Satake Corporaiton, Jun. 6, 2000.

(73) Assignee: **Satake Corporation**, Tokyo (JP)

* cited by examiner

(**) Term: **14 Years**

Primary Examiner—Antoine Duval Davis

(21) Appl. No.: **29/136,852**

(74) *Attorney, Agent, or Firm*—Pillsbury Winthrop LLP

(22) Filed: **Feb. 8, 2001**

(57) **CLAIM**

(30) **Foreign Application Priority Data**

The ornamental design for rice cleaning machine, as shown and described.

Aug. 9, 2000 (JP) 2000-022078

DESCRIPTION

(51) **LOC (7) Cl.** **15-99**

FIG. 1 is a top, front and right side perspective view of rice cleaning machine showing our new design,
FIG. 2 is a top plan view thereof,
FIG. 3 is a front elevational view thereof,
FIG. 4 is a rear elevational view thereof,
FIG. 5 is a bottom plan view thereof,
FIG. 6 is a left side elevational view thereof; and,
FIG. 7 is a right side elevational view thereof.

(52) **U.S. Cl.** **D15/199**

(58) **Field of Search** D15/199; 99/519, 99/524, 606, 609, 611, 488

(56) **References Cited**

U.S. PATENT DOCUMENTS

4,577,552 A * 3/1986 Yamamoto 99/524
4,800,810 A * 1/1989 Masumoto 99/524 X

1 Claim, 4 Drawing Sheets

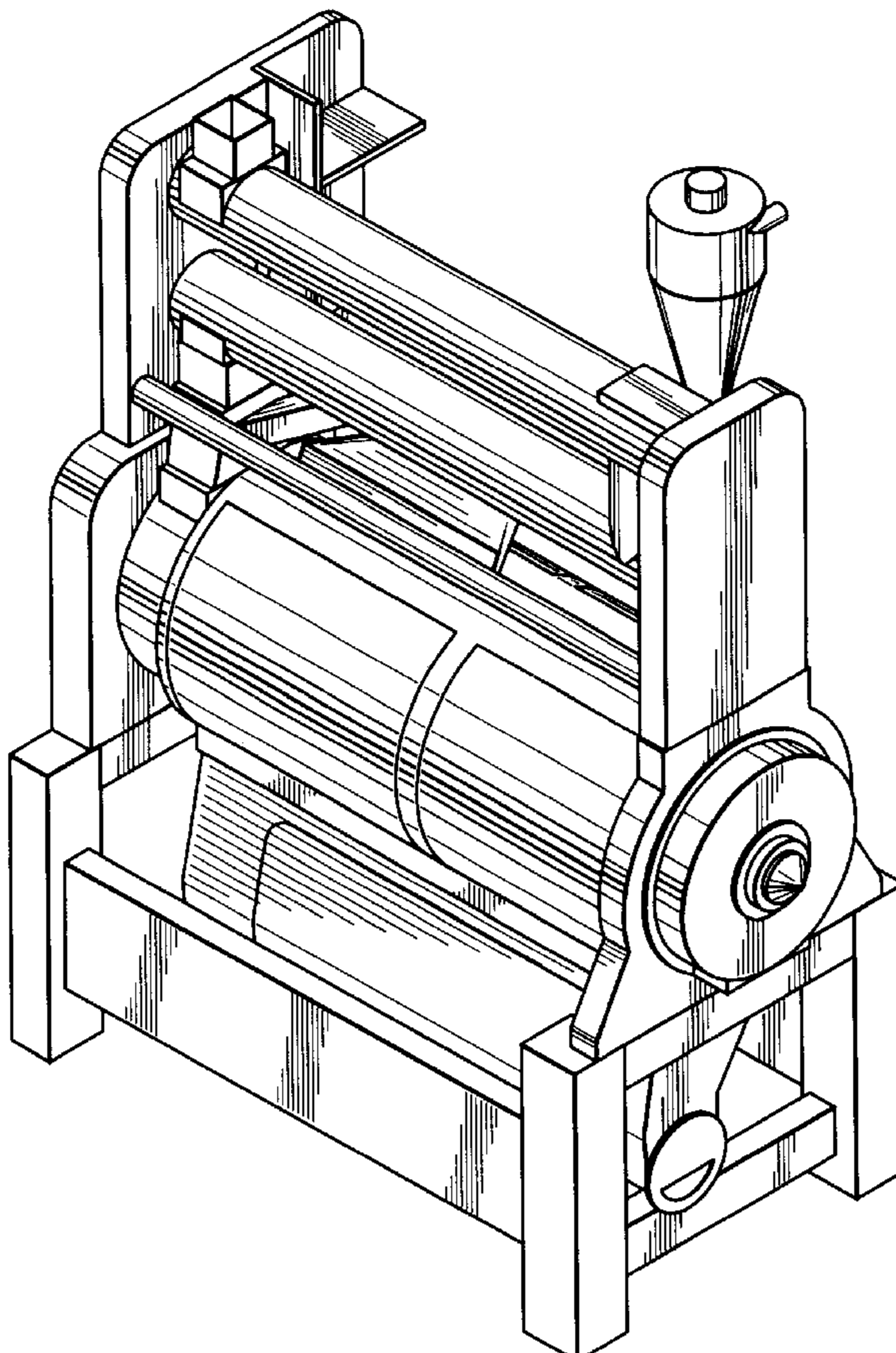


FIG. 1

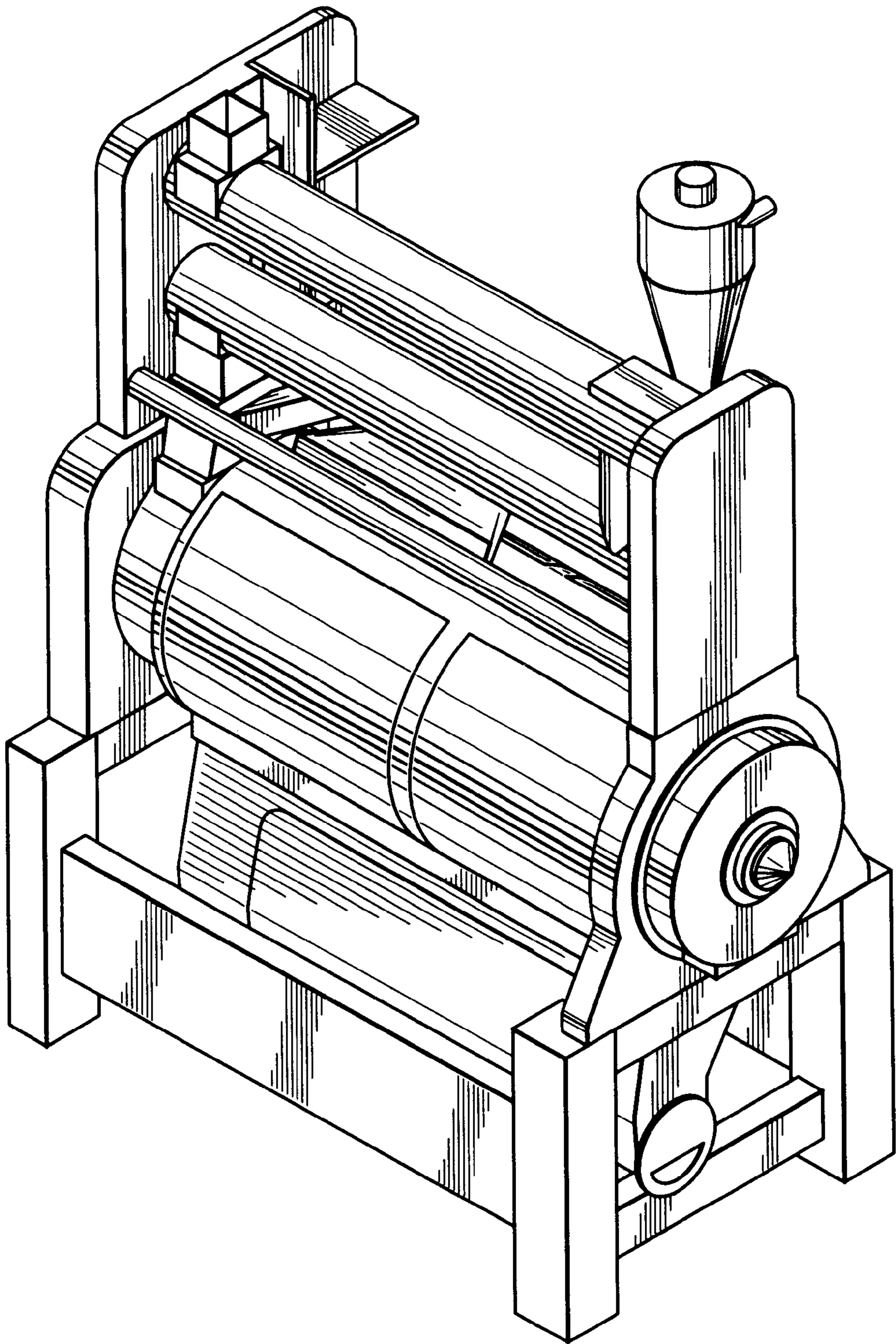


FIG. 2

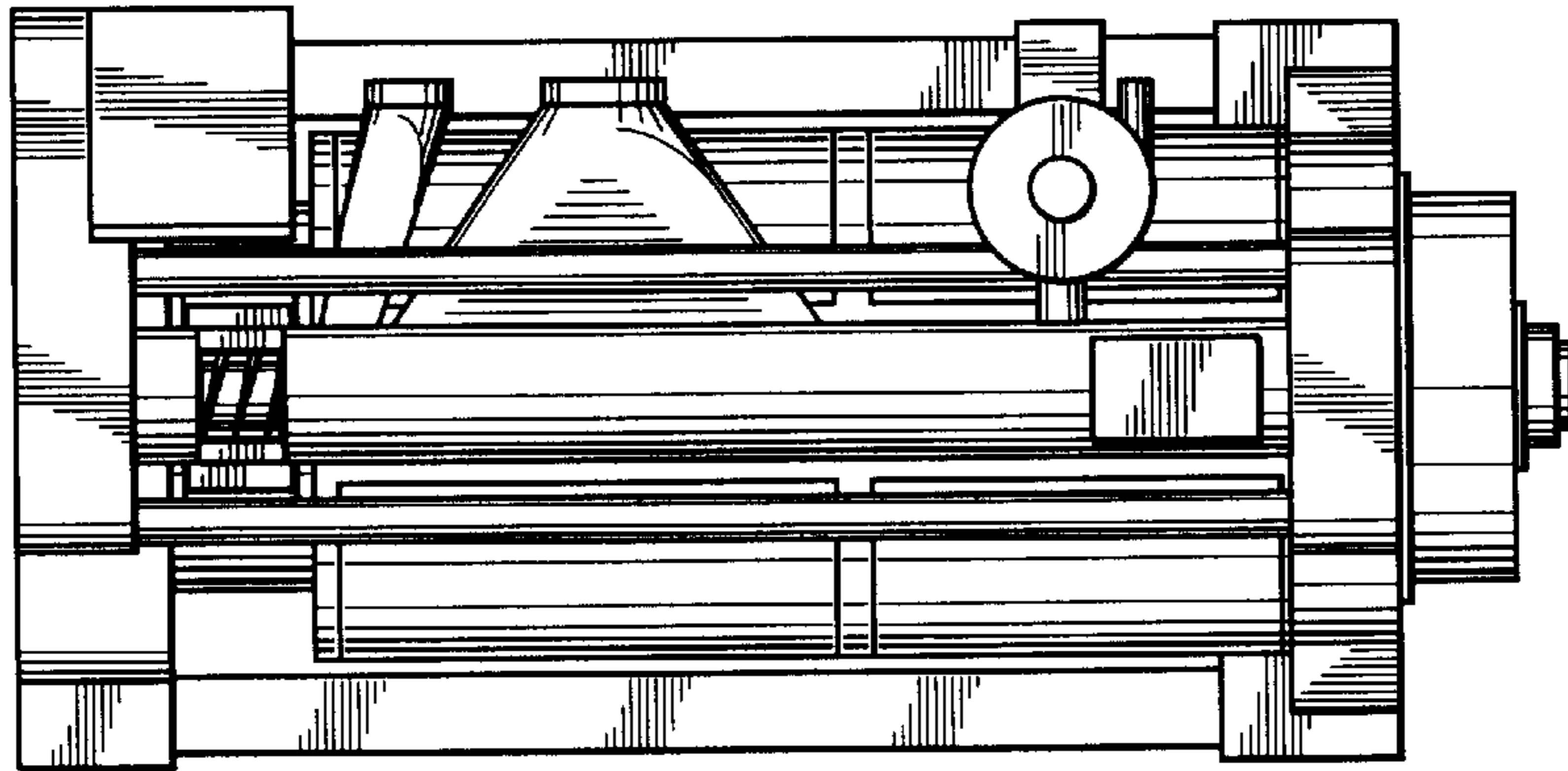


FIG. 3

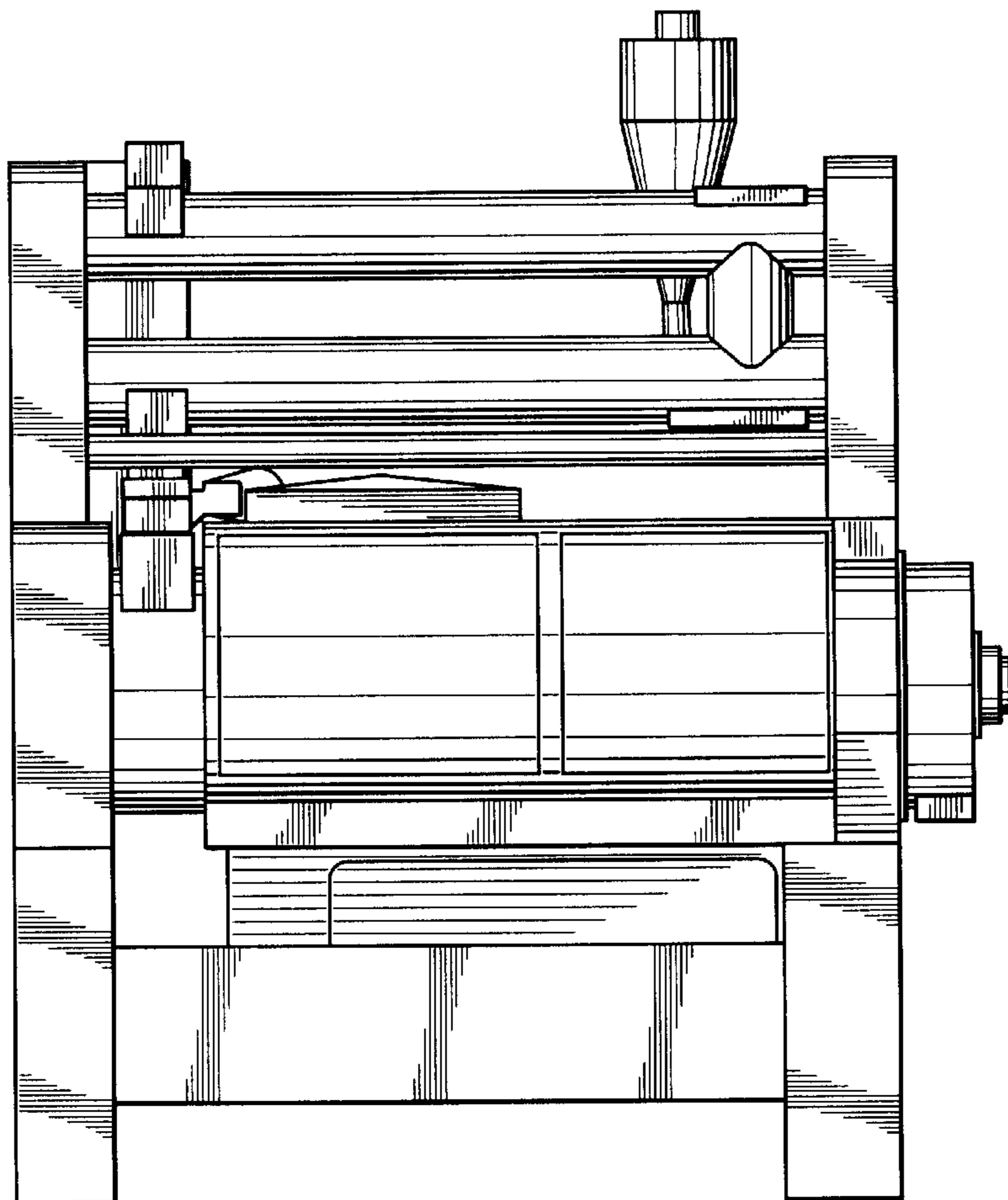


FIG. 4

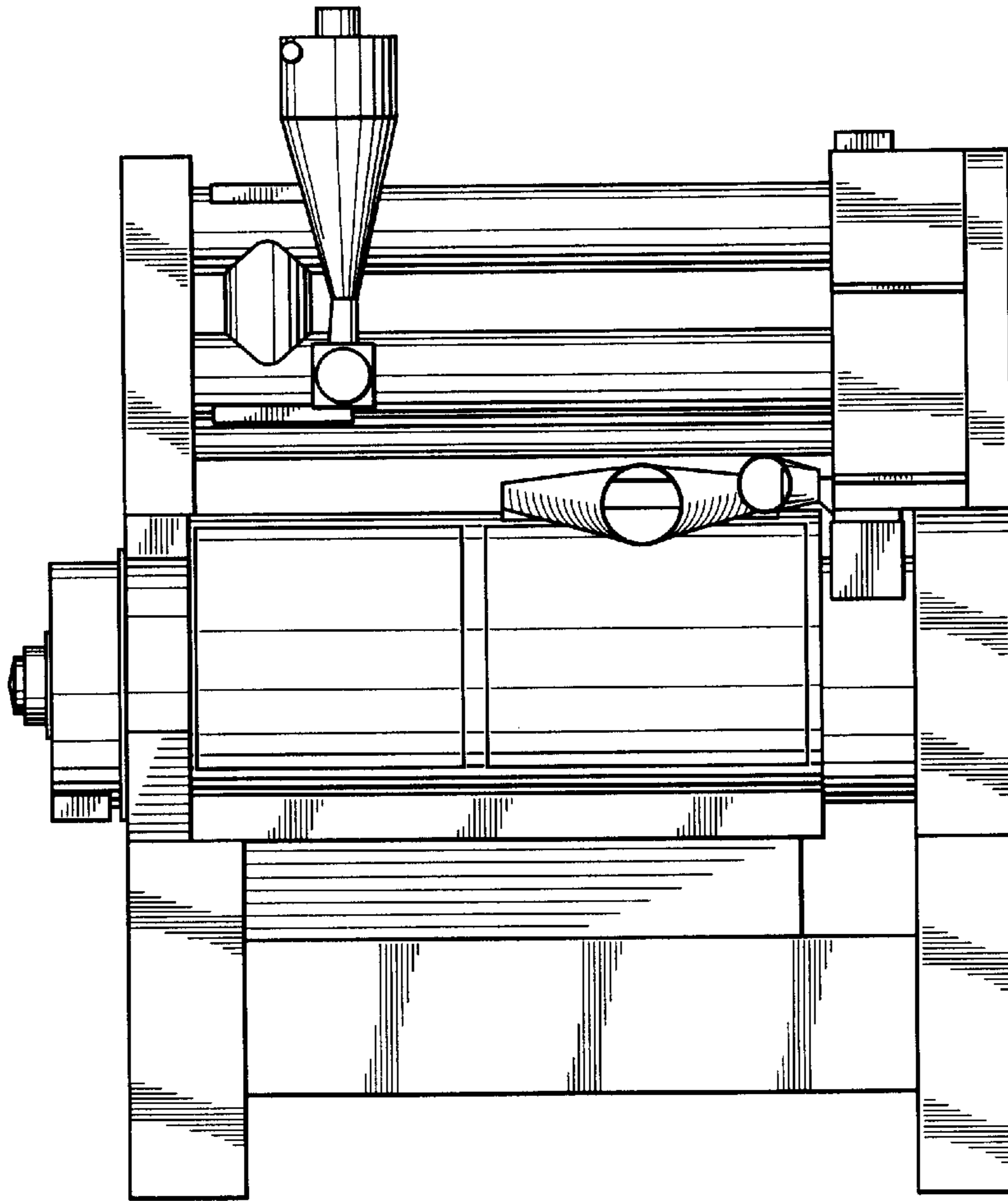


FIG. 5

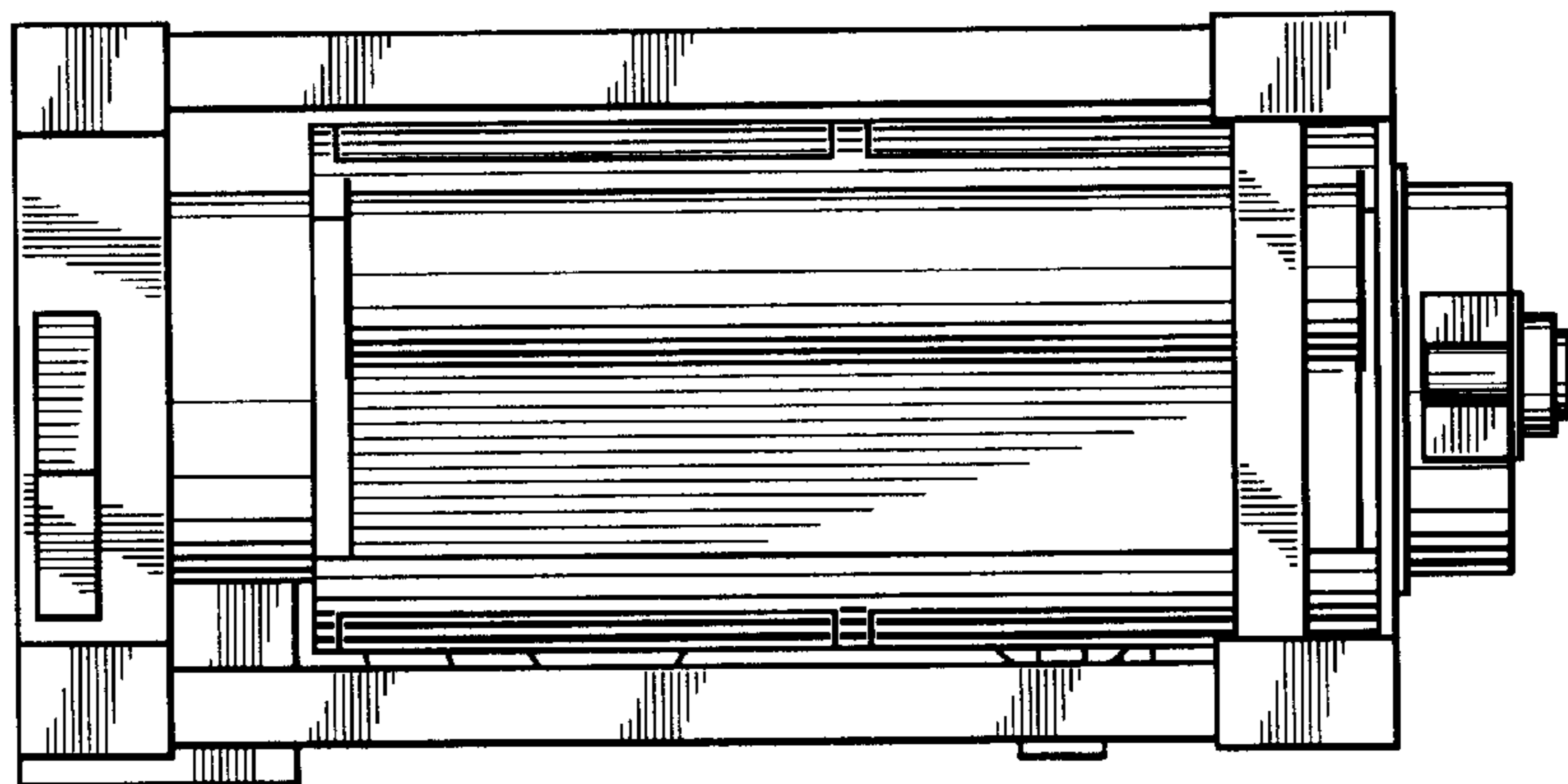


FIG. 6

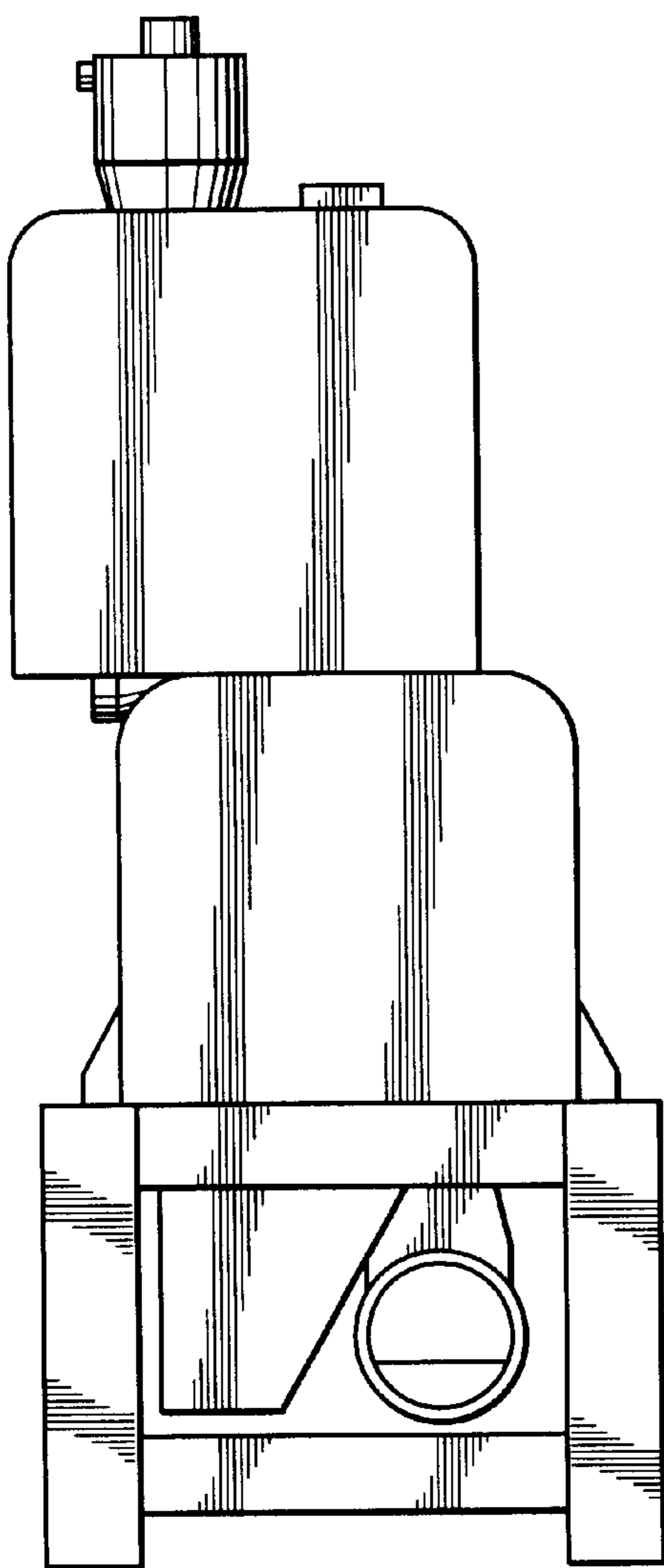


FIG. 7

