



US00D472907S

(12) **United States Design Patent**
Liao et al.

(10) **Patent No.:** **US D472,907 S**

(45) **Date of Patent:** **** Apr. 8, 2003**

(54) **WOOD PLANNING MACHINE**

(76) Inventors: **Juei-Seng Liao**, No. 295, Sec. 1,
Nanking E. Rd., Taichung City (TW);
Pei-Lieh Chiang, No. 12, Nan-Ping
Rd., Nan Dist., Taichung City (TW)

(**) Term: **14 Years**

(21) Appl. No.: **29/160,507**

(22) Filed: **May 13, 2002**

(30) **Foreign Application Priority Data**

Apr. 8, 2002 (TW) 091301533

(51) **LOC (7) Cl.** **15-09**

(52) **U.S. Cl.** **D15/127**

(58) **Field of Search** D15/127; 144/117.1,
144/253.8, 130, 129, 252.1, 116

(56) **References Cited**

U.S. PATENT DOCUMENTS

- D326,667 S * 6/1992 Juang D15/127
- D445,435 S * 7/2001 Chiang D15/127
- D453,941 S * 2/2002 Chang D15/127

OTHER PUBLICATIONS

U.S. patent application Ser. No. 10/155,617, "Wood Planing Machine With A Wood Shaving Collecting Mechanism"; Inventors: Juei-Seng Liao et al.; Filed May 24, 2002.

* cited by examiner

Primary Examiner—Antoine Duval Davis
(74) *Attorney, Agent, or Firm*—Brinks Hofer Gilson & Lione

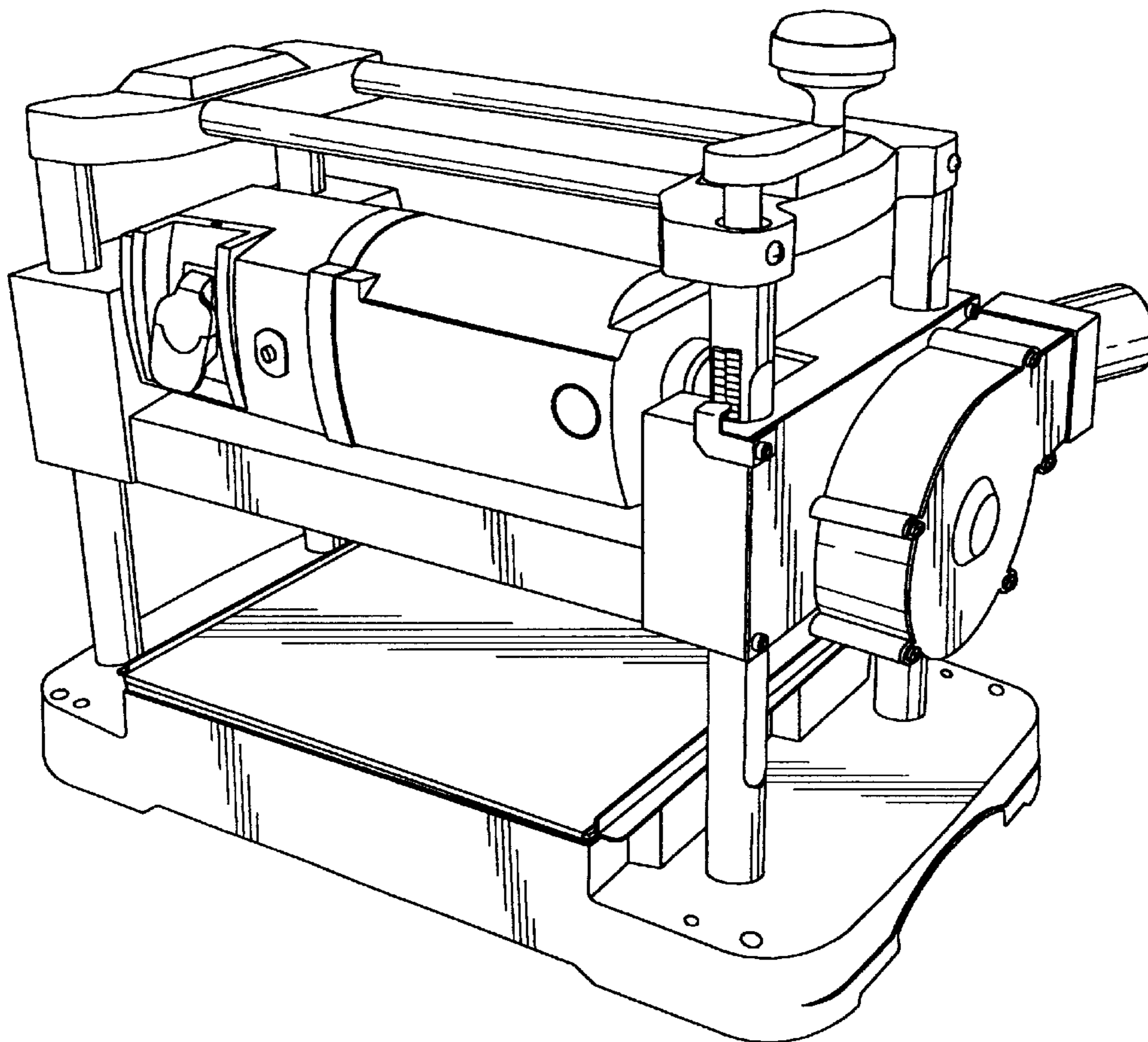
(57) **CLAIM**

The ornamental design for wood planning machine, as shown and described.

DESCRIPTION

FIG. 1 is a perspective view of wood planning machine showing the new design;
FIG. 2 is a front elevational view thereof;
FIG. 3 is a rear elevational view thereof;
FIG. 4 is a left side elevational view thereof;
FIG. 5 is a right side elevational view thereof;
FIG. 6 is a top plan view thereof; and,
FIG. 7 is a bottom plan view thereof.

1 Claim, 4 Drawing Sheets



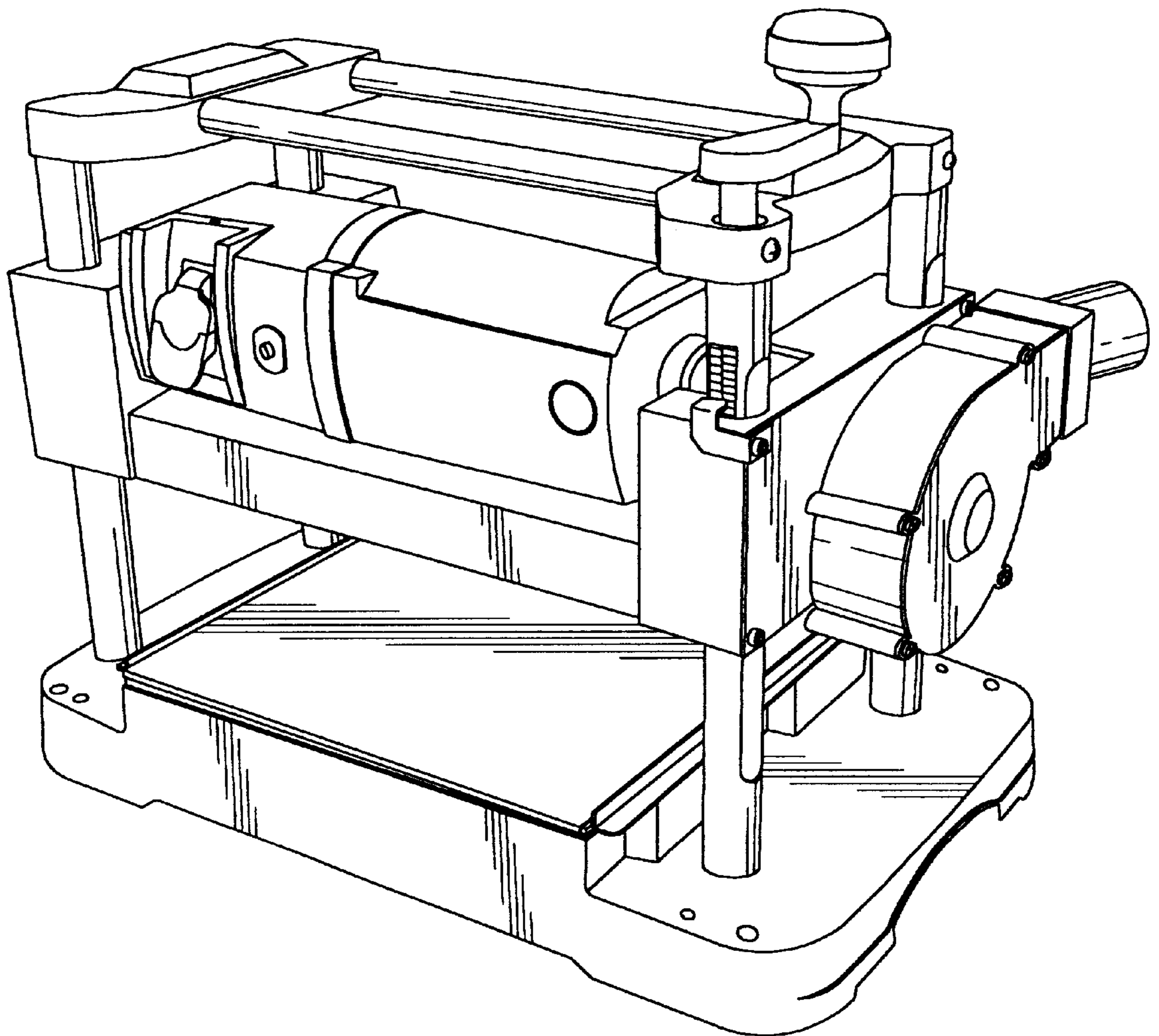


FIG. 1

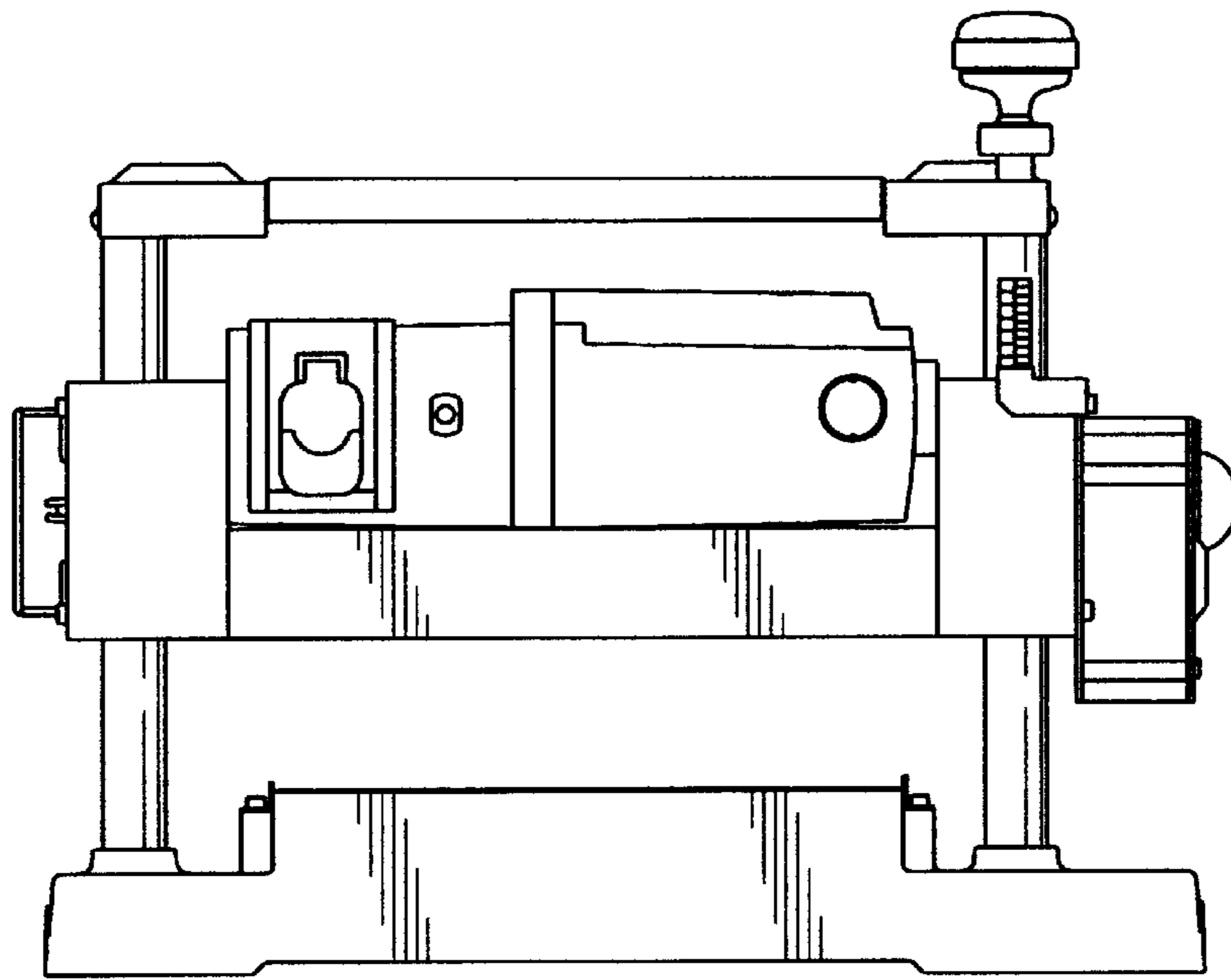


FIG. 2

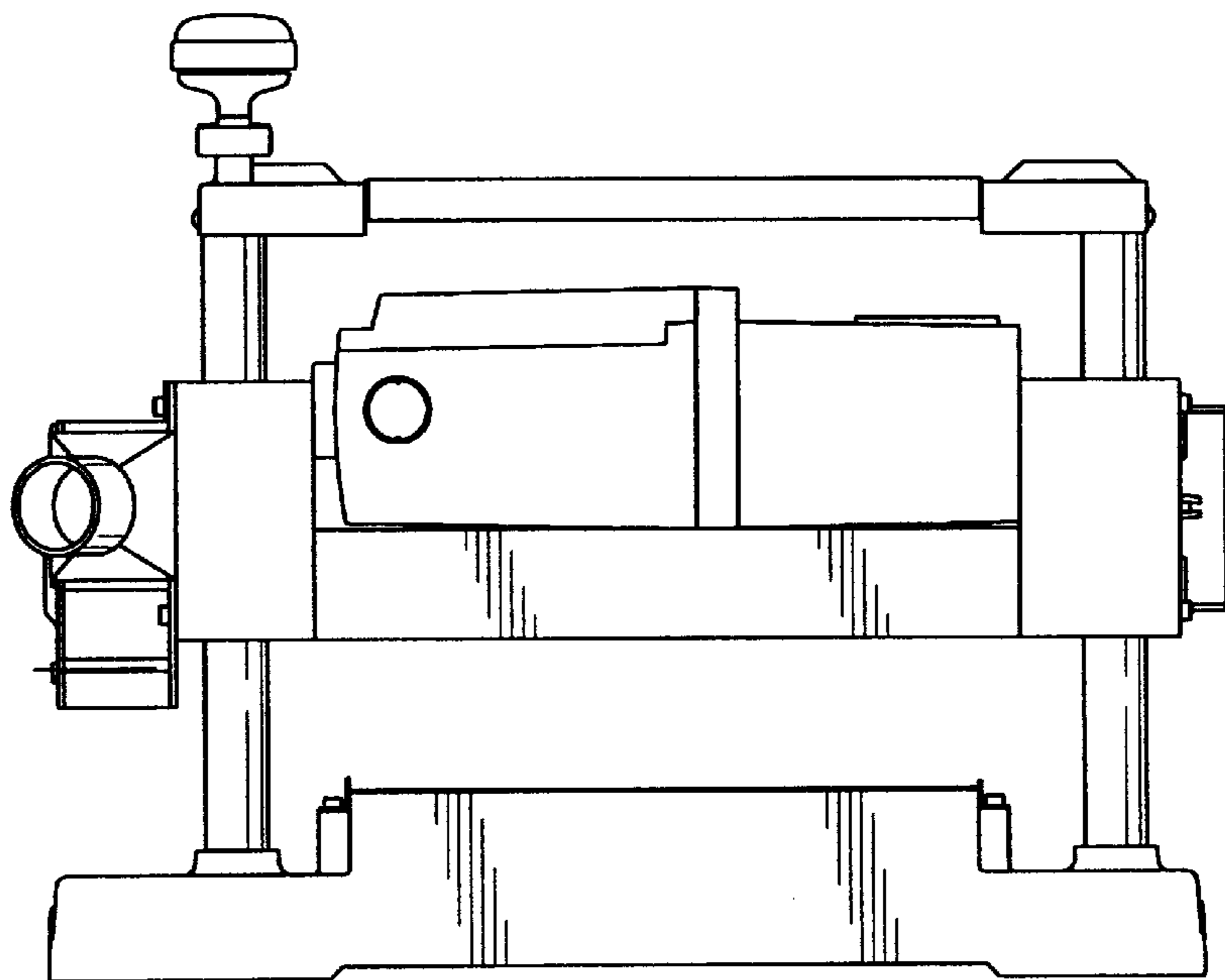


FIG. 3

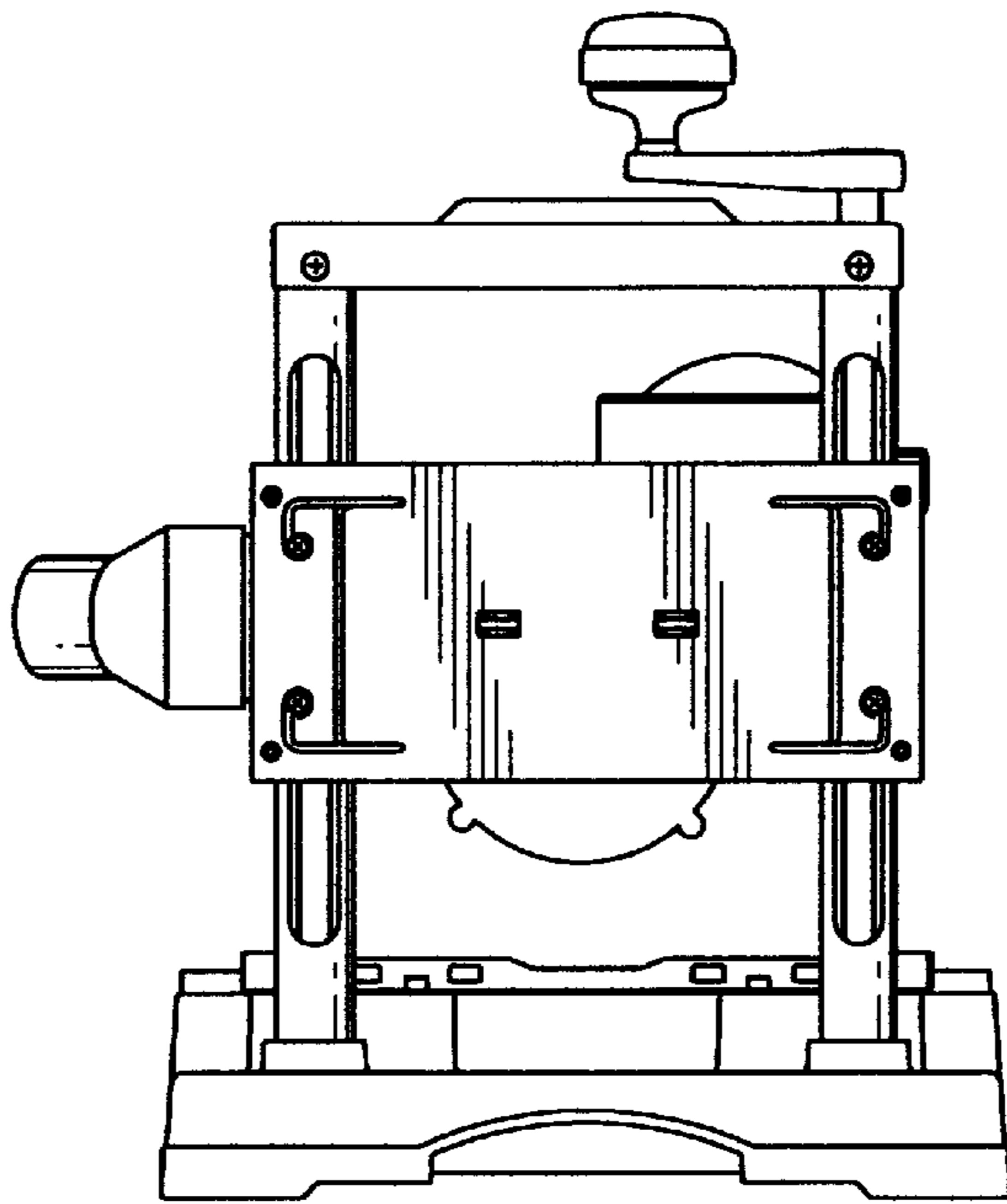


FIG. 4

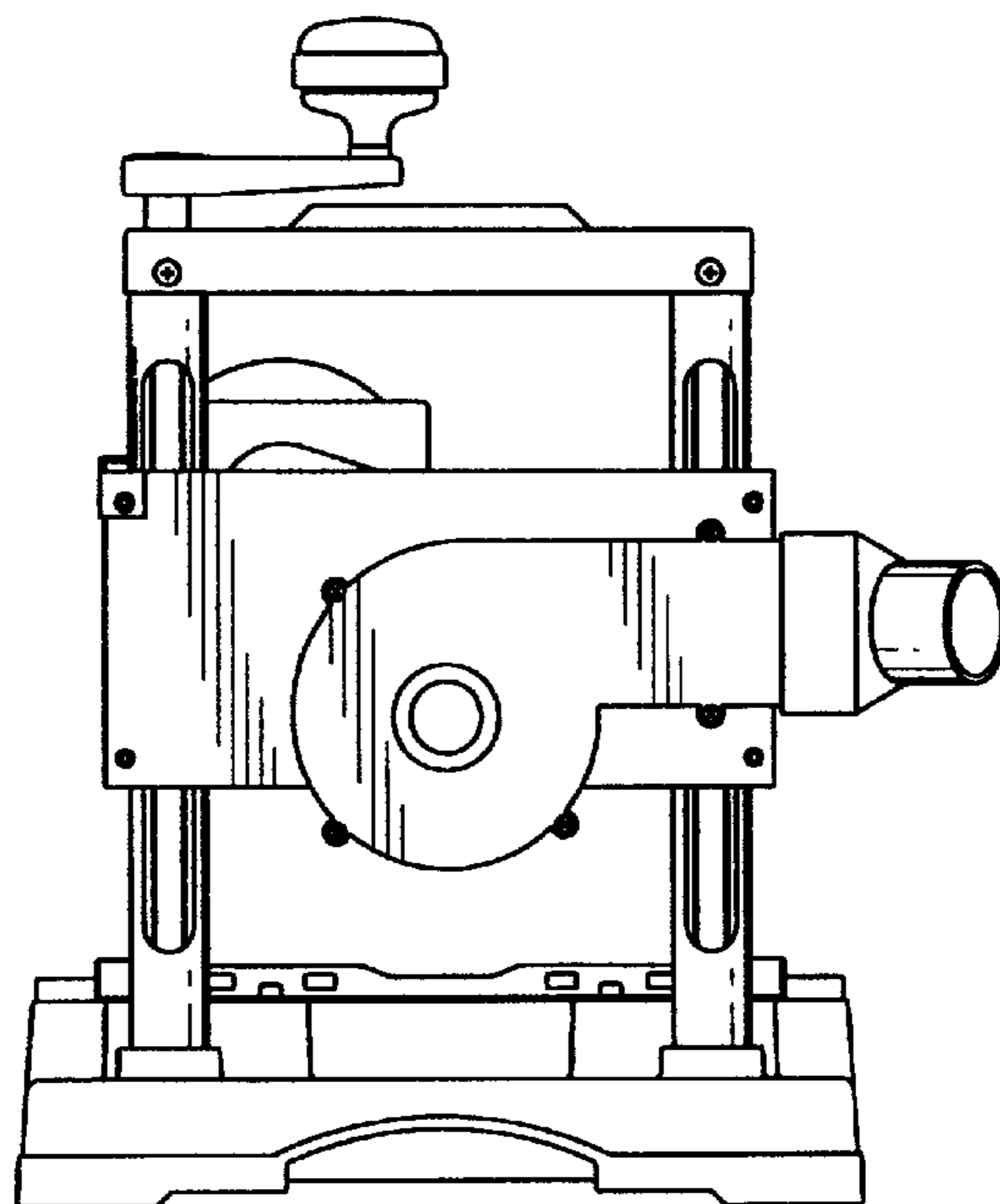


FIG. 5

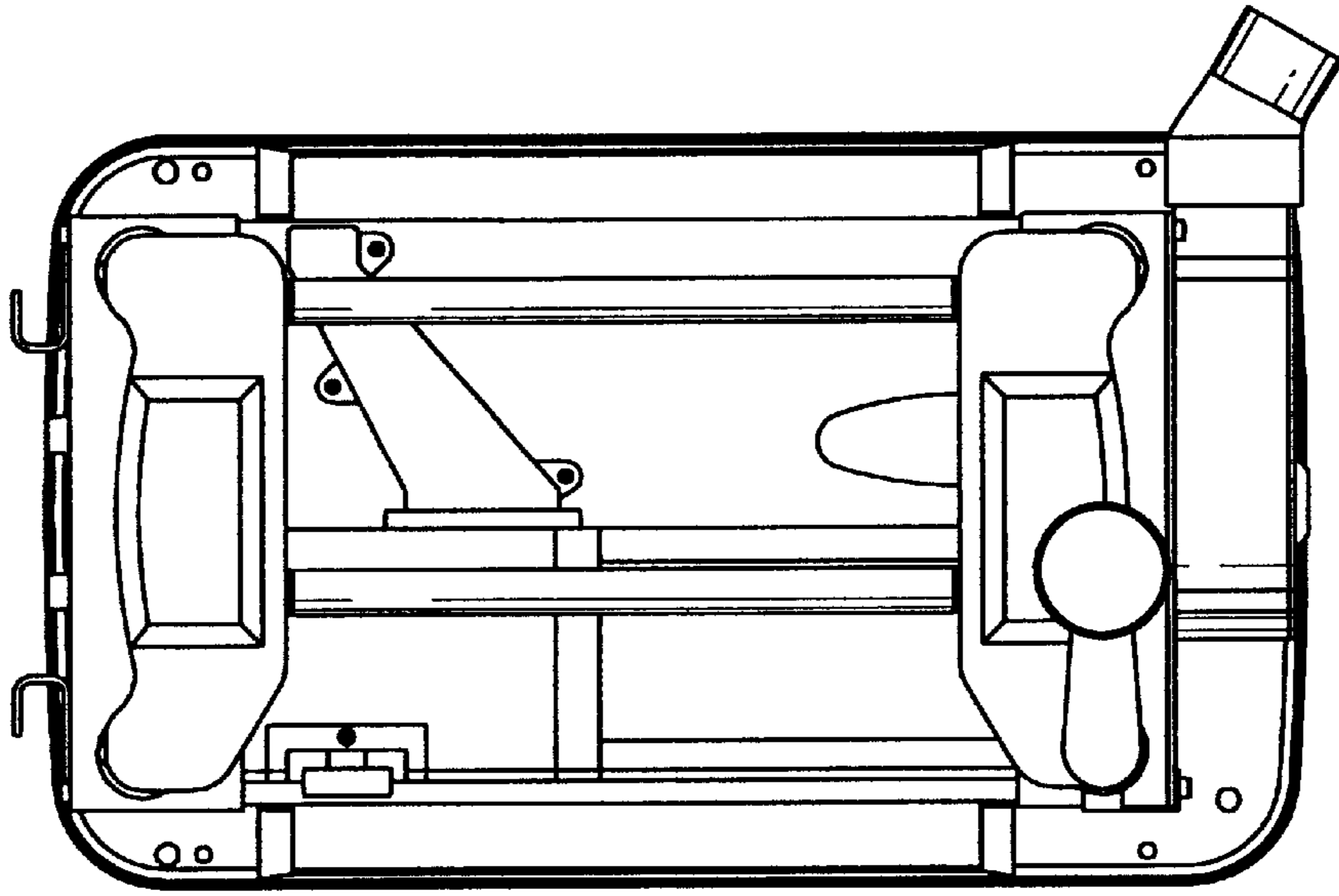


FIG. 6

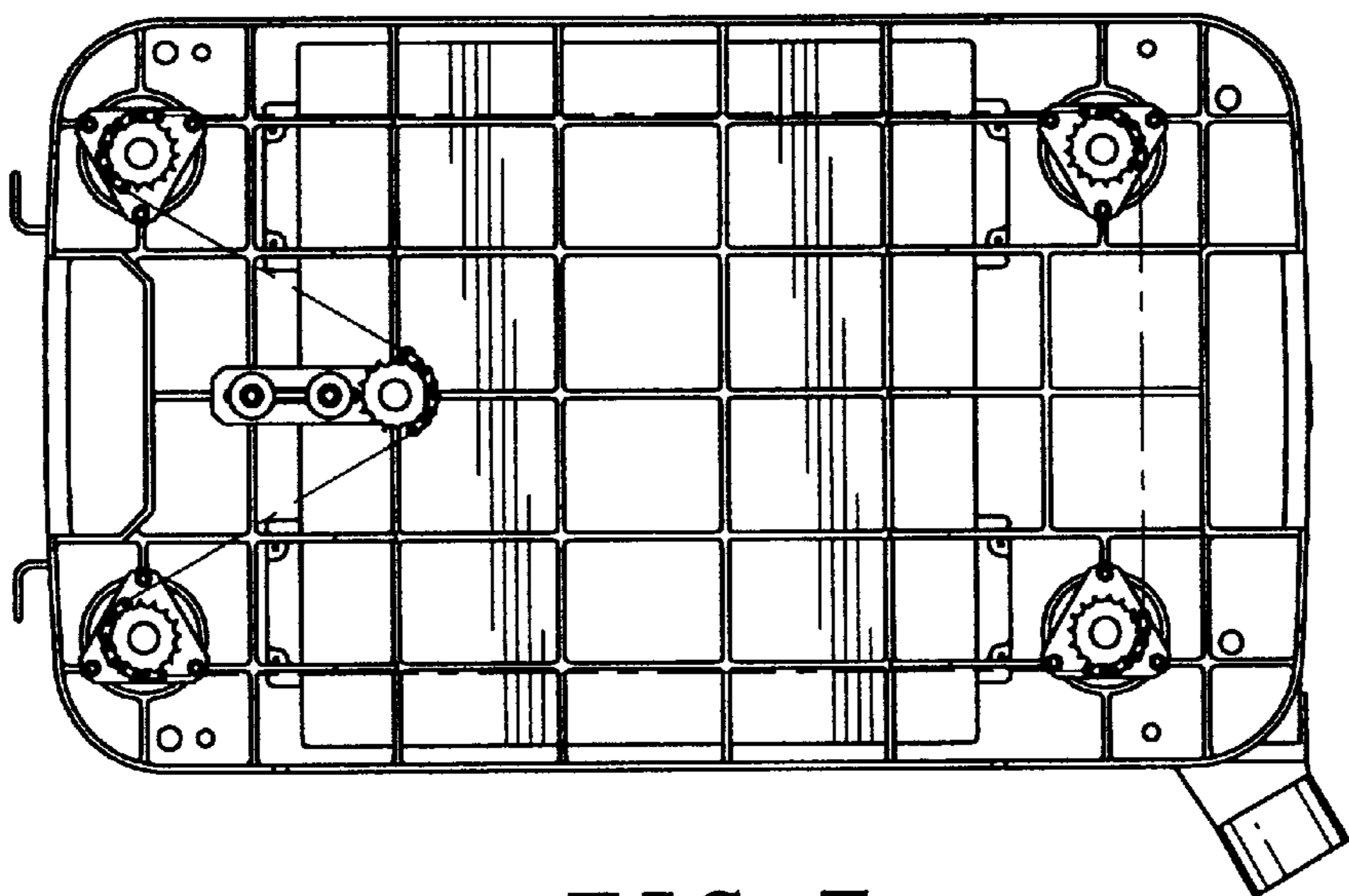


FIG. 7