



US00D472906S

(12) **United States Design Patent**
Shimizu et al.

(10) **Patent No.:** **US D472,906 S**

(45) **Date of Patent:** **** Apr. 8, 2003**

(54) **THREAD CARTRIDGE FOR EMBROIDERY MACHINE**

5,371,991 A * 12/1994 Bechtel et al. 52/686
D369,171 S * 4/1996 Jonson D15/72
D384,945 S * 10/1997 Takada et al. D15/66

(75) Inventors: **Yasuhiro Shimizu**, Motosu-gun (JP);
Nobuyuki Iwai, Chita-gun (JP);
Toshiyuki Mamiya, Nisshin (JP);
Akira Terao, Nagoya (JP)

* cited by examiner

Primary Examiner—Mitchell Siegel

(74) *Attorney, Agent, or Firm*—Oliff & Berridge, PLC

(73) Assignee: **Brother Industries, Ltd.**, Nagoya (JP)

(57) **CLAIM**

(**) Term: **14 Years**

The ornamental design for a thread cartridge for embroidery machine, as shown and described.

(21) Appl. No.: **29/167,100**

DESCRIPTION

(22) Filed: **Sep. 10, 2002**

Related U.S. Application Data

(62) Division of application No. 29/143,852, filed on Jun. 22, 2001.

(30) **Foreign Application Priority Data**

Dec. 28, 2000 (JP) 2000-37756
Dec. 28, 2000 (JP) 2000-37757

(51) **LOC (7) Cl.** **15-06**

(52) **U.S. Cl.** **D15/78**

(58) **Field of Search** D15/66, 72, 78;
D8/395, 380; 112/102; 52/686

The thread cartridge includes a needle through which the thread is threaded. The thread cartridge is installed within an embroidery machine which includes patterns saved in a memory of the machine or retrieved from an external memory for embroidering a design on a sheet or patch using the needle and thread within the cartridge.

FIG. 1 is a perspective view of a thread cartridge for embroidery machine;

FIG. 2 is an expanded perspective view thereof;

FIG. 3 is a front view thereof;

FIG. 4 is a rear view thereof; and,

FIG. 5 is a left side view thereof.

The top, bottom and right side views of the thread cartridge for embroidery machine contain no ornamentality and are omitted. The broken lines define the bounds of the claimed design but form no part of the claimed design.

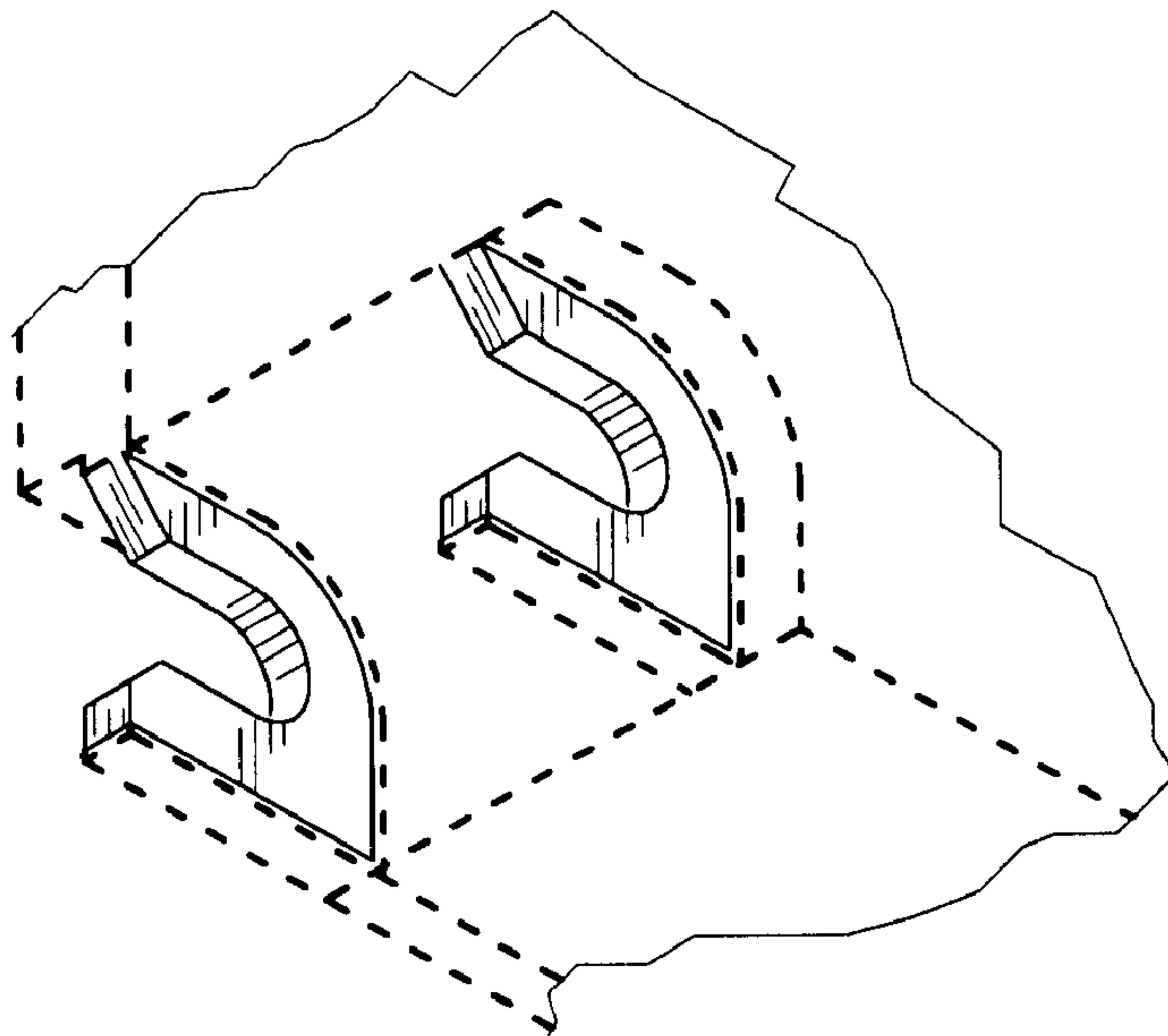
The broken line showing is for illustrative purposes only and forms no part of the claimed design.

(56) **References Cited**

U.S. PATENT DOCUMENTS

4,280,420 A * 7/1981 Nishida et al. 112/102
D297,112 S * 8/1988 Holdaway D8/395
D322,389 S * 12/1991 Harmon D8/380

1 Claim, 3 Drawing Sheets



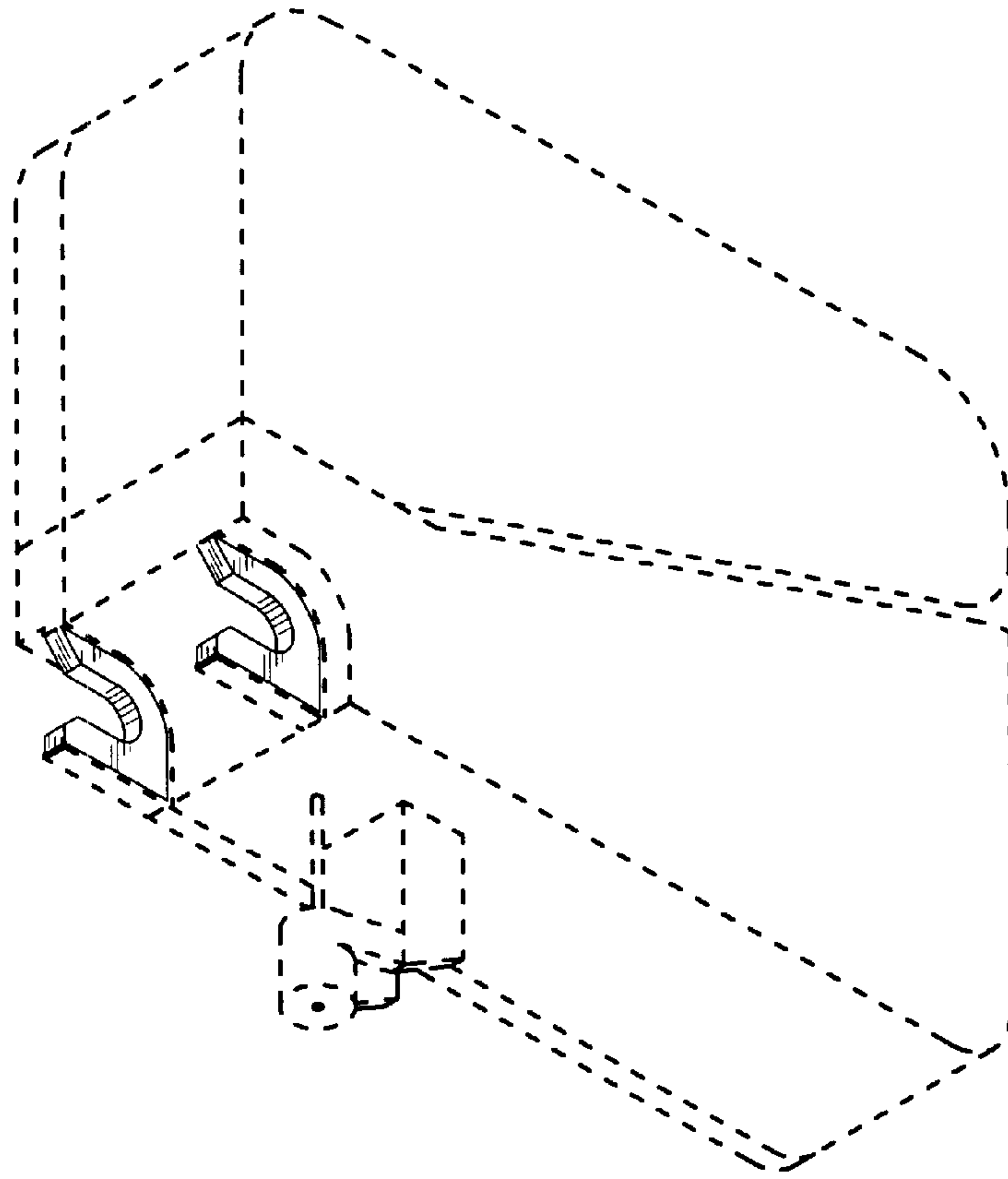


FIG. 1

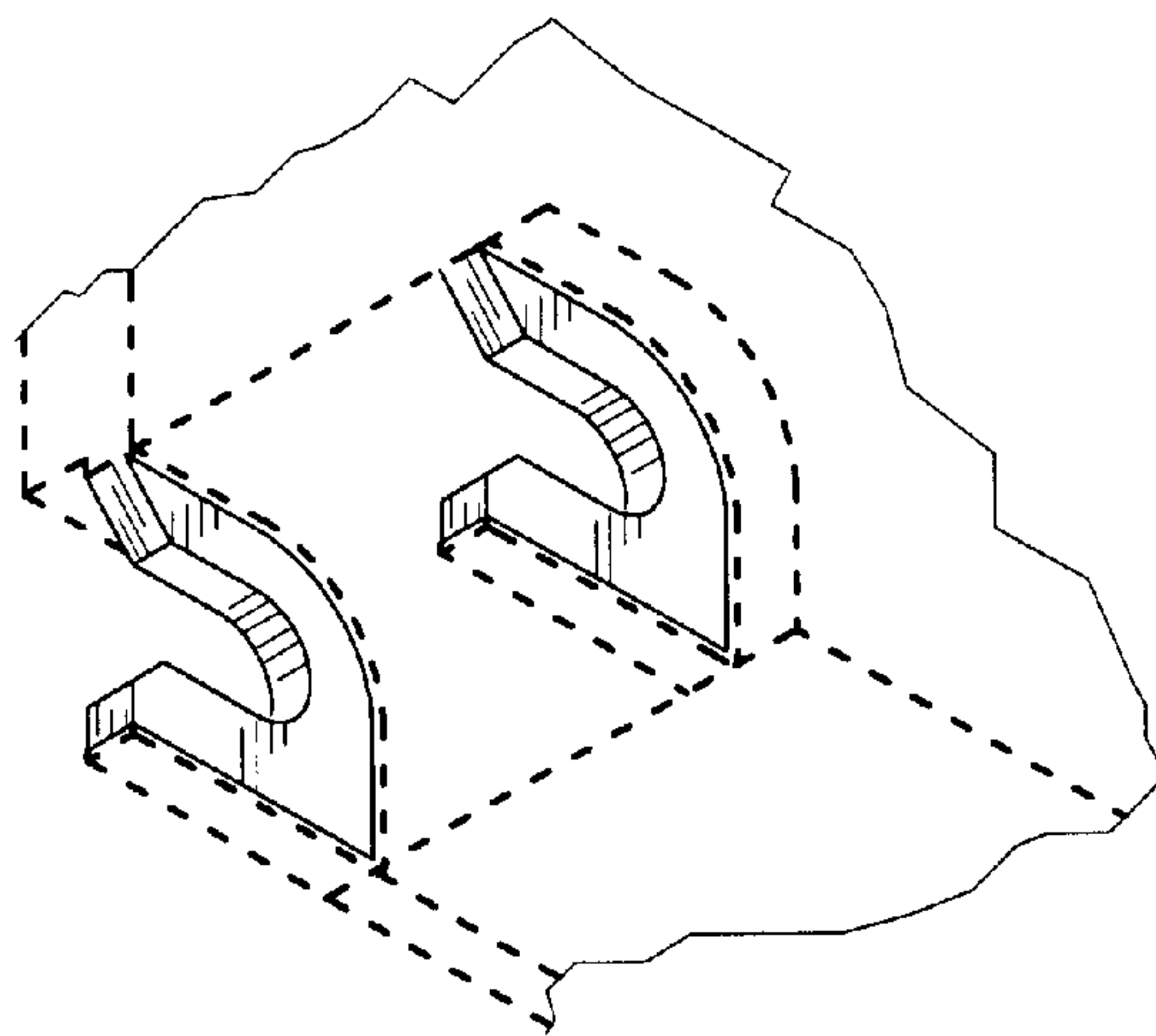


FIG. 2

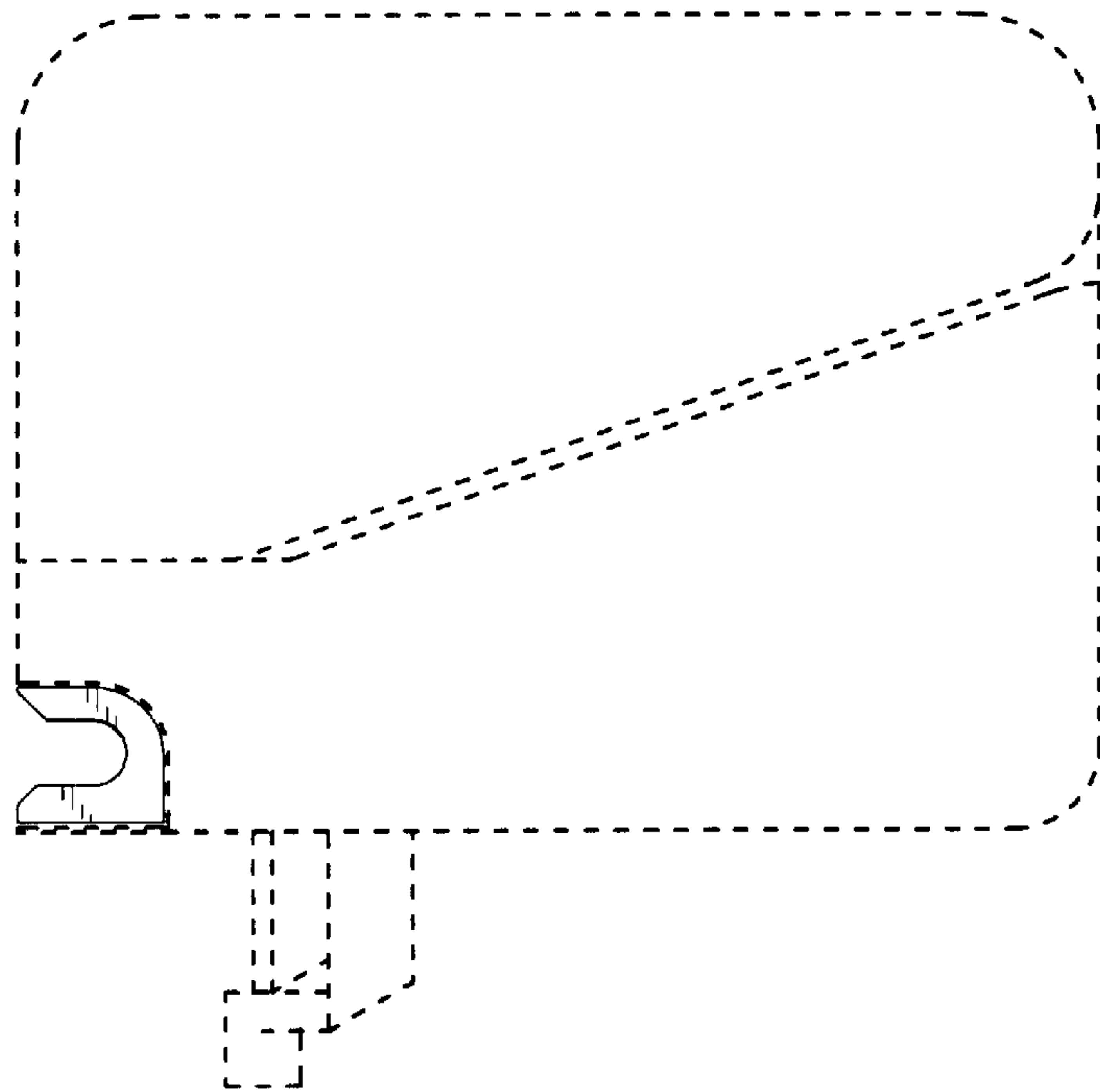


FIG. 3

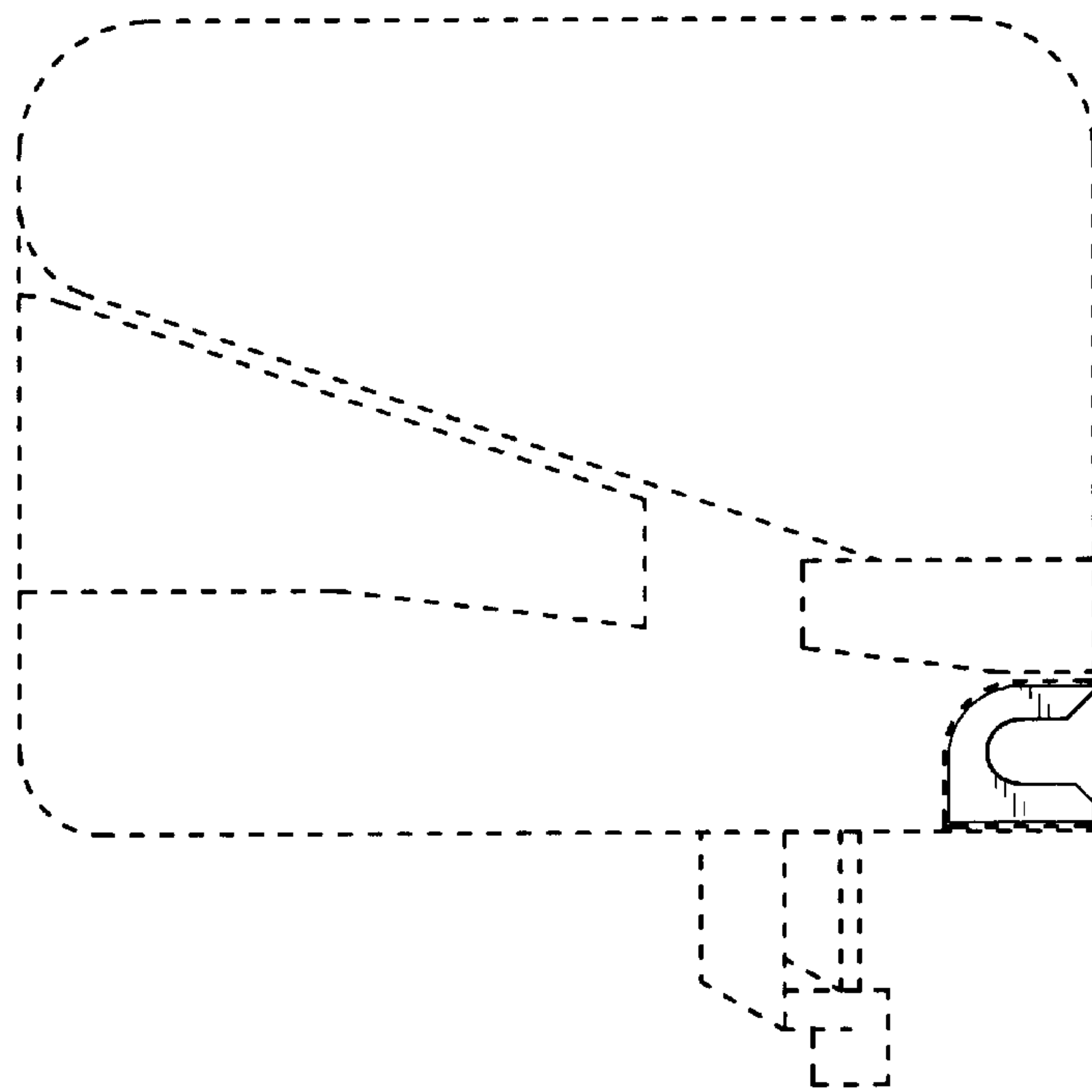


FIG. 4

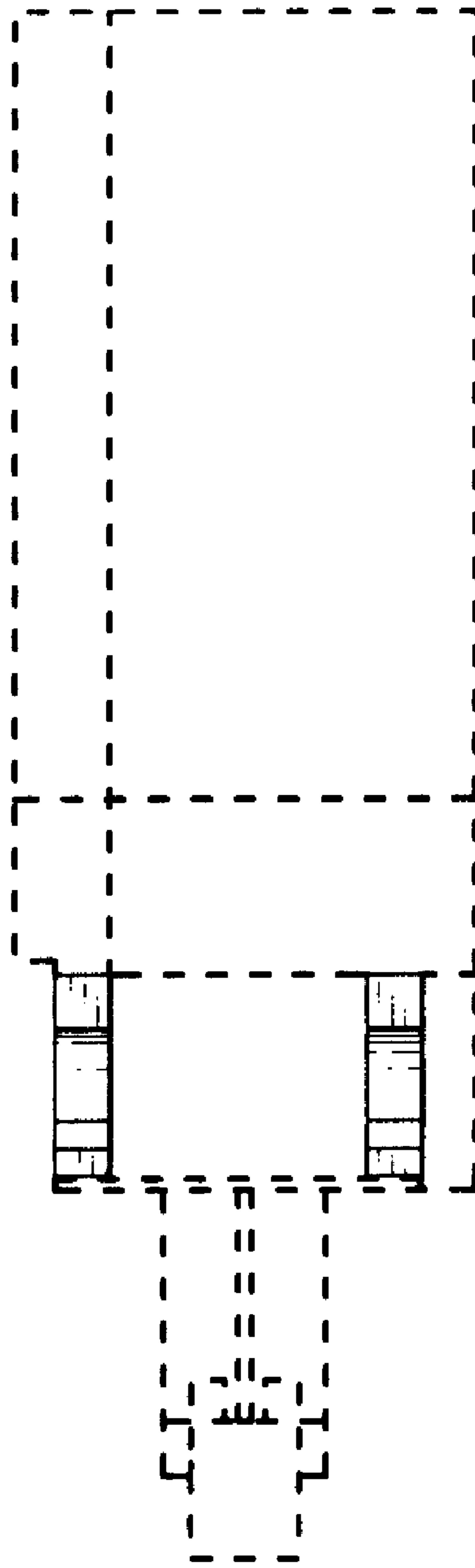


FIG. 5