



US00D472903S

(12) **United States Design Patent**  
**Shiau**

(10) **Patent No.:** **US D472,903 S**

(45) **Date of Patent:** **\*\* Apr. 8, 2003**

(54) **COVER OF COMPRESSOR**

(76) Inventor: **Yih-Ming Shiau**, No.427, Sec.2,  
Doou-Chung Rd., Tien-Chung, Chang  
Haw Hsien (TW)

(\*\*) Term: **14 Years**

(21) Appl. No.: **29/149,822**

(22) Filed: **Oct. 19, 2001**

(51) **LOC (7) Cl.** ..... **15-02**

(52) **U.S. Cl.** ..... **D15/9**

(58) **Field of Search** ..... D15/7-9; 417/234,  
417/229, 321, 410-411, 265, 415, 405

(56) **References Cited**

**U.S. PATENT DOCUMENTS**

D303,394 S \* 9/1989 Mariol ..... D15/9  
D367,280 S \* 2/1996 Richardson et al. .... D15/9

\* cited by examiner

*Primary Examiner*—Ralf Seifert

(74) *Attorney, Agent, or Firm*—Dennison, Schultz &  
Dougherty

(57) **CLAIM**

The ornamental design for cover of compressor, as shown  
and described.

**DESCRIPTION**

FIG. 1 is a perspective view of a cover of compressor  
showing my new design;

FIG. 2 is a side elevation view thereof;

FIG. 3 is a side elevation view thereof;

FIG. 4 is a front elevation view thereof;

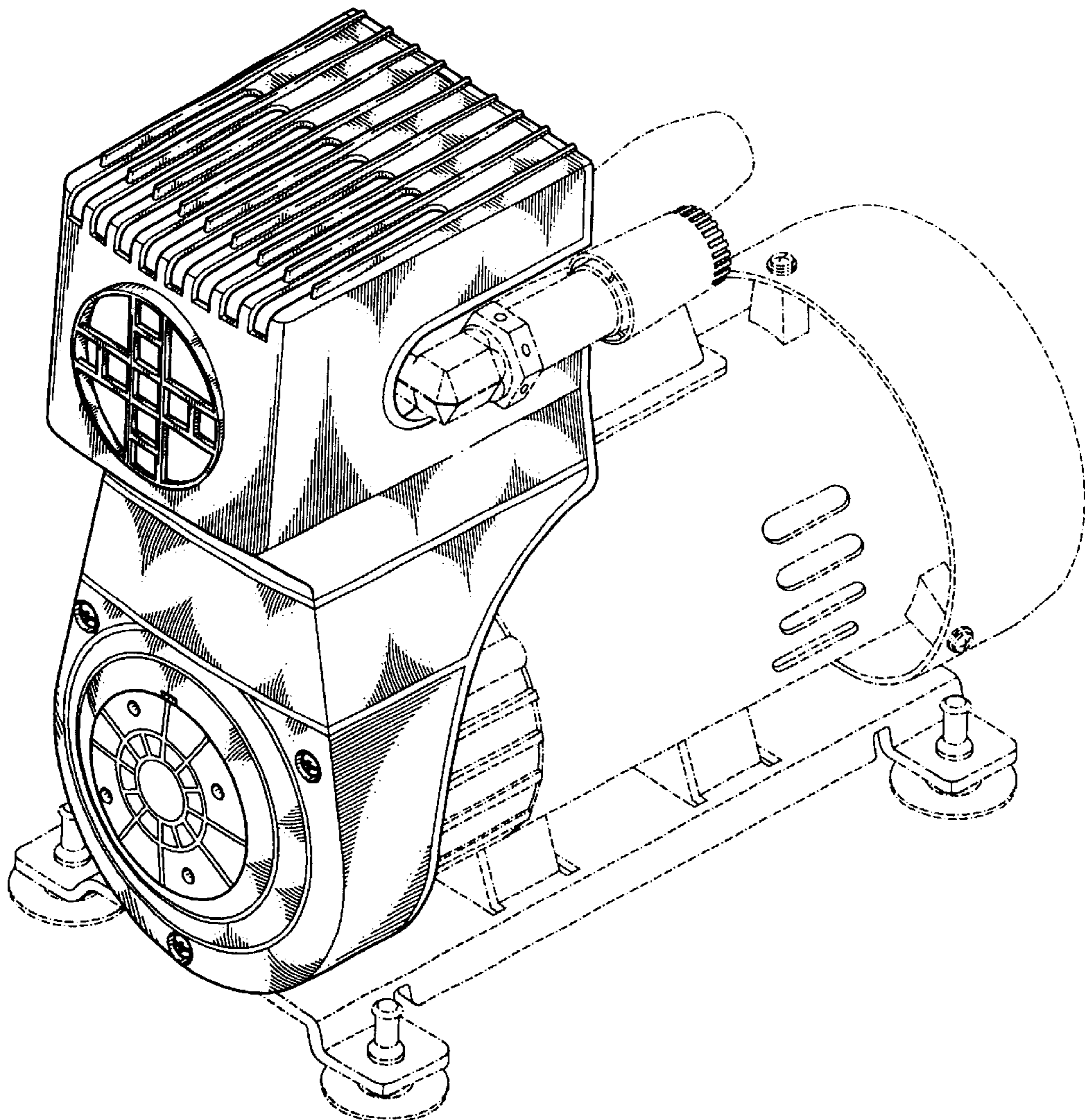
FIG. 5 is a bottom plan view thereof;

FIG. 6 is an elevation view of side opposite to FIG. 2; and

FIG. 7 is a rear elevation view thereof; and,

FIG. 8 is a perspective view showing cover of compressor  
shown in dotted line, for illustrative purpose only.

**1 Claim, 8 Drawing Sheets**



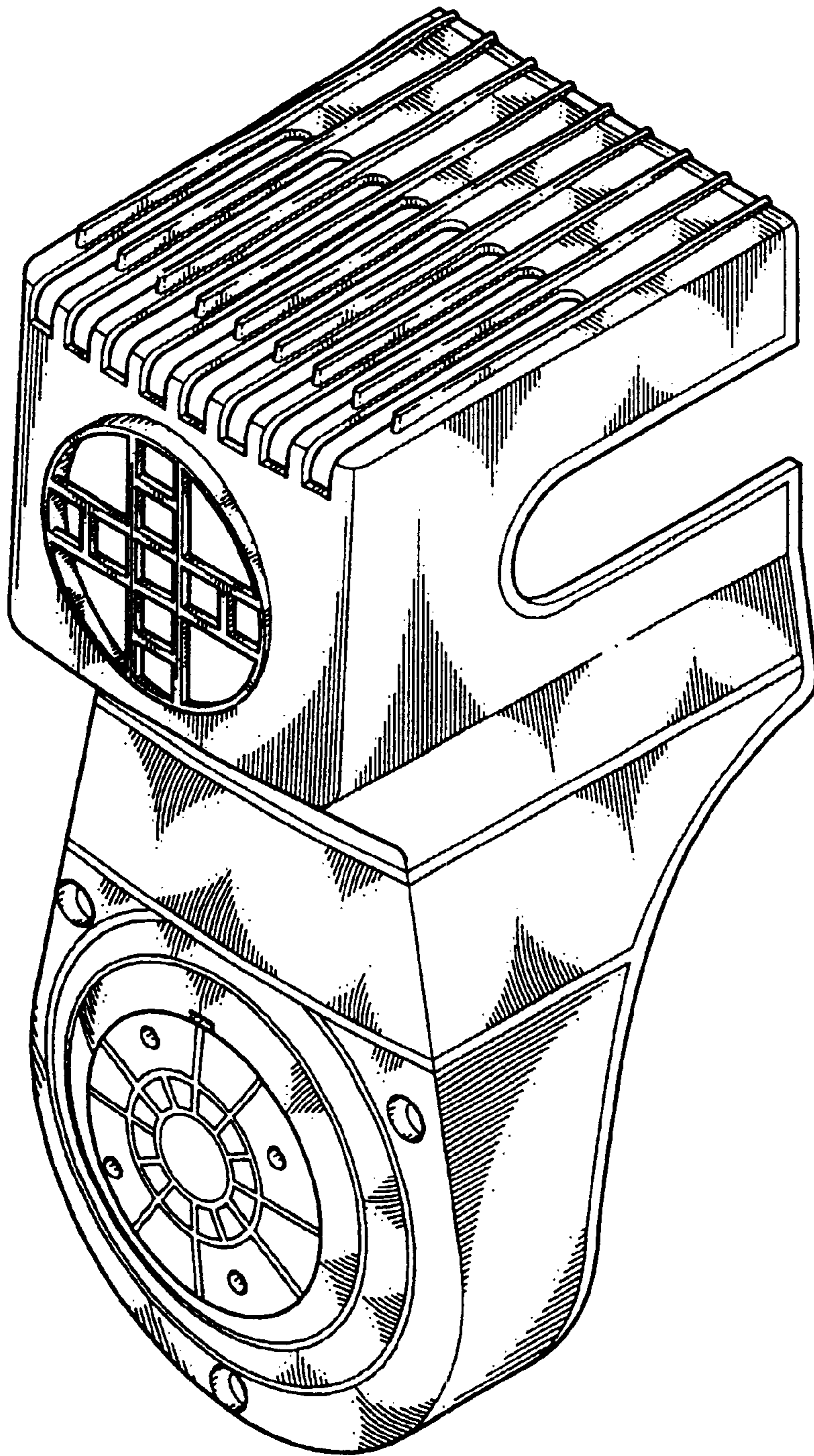


FIG. 1

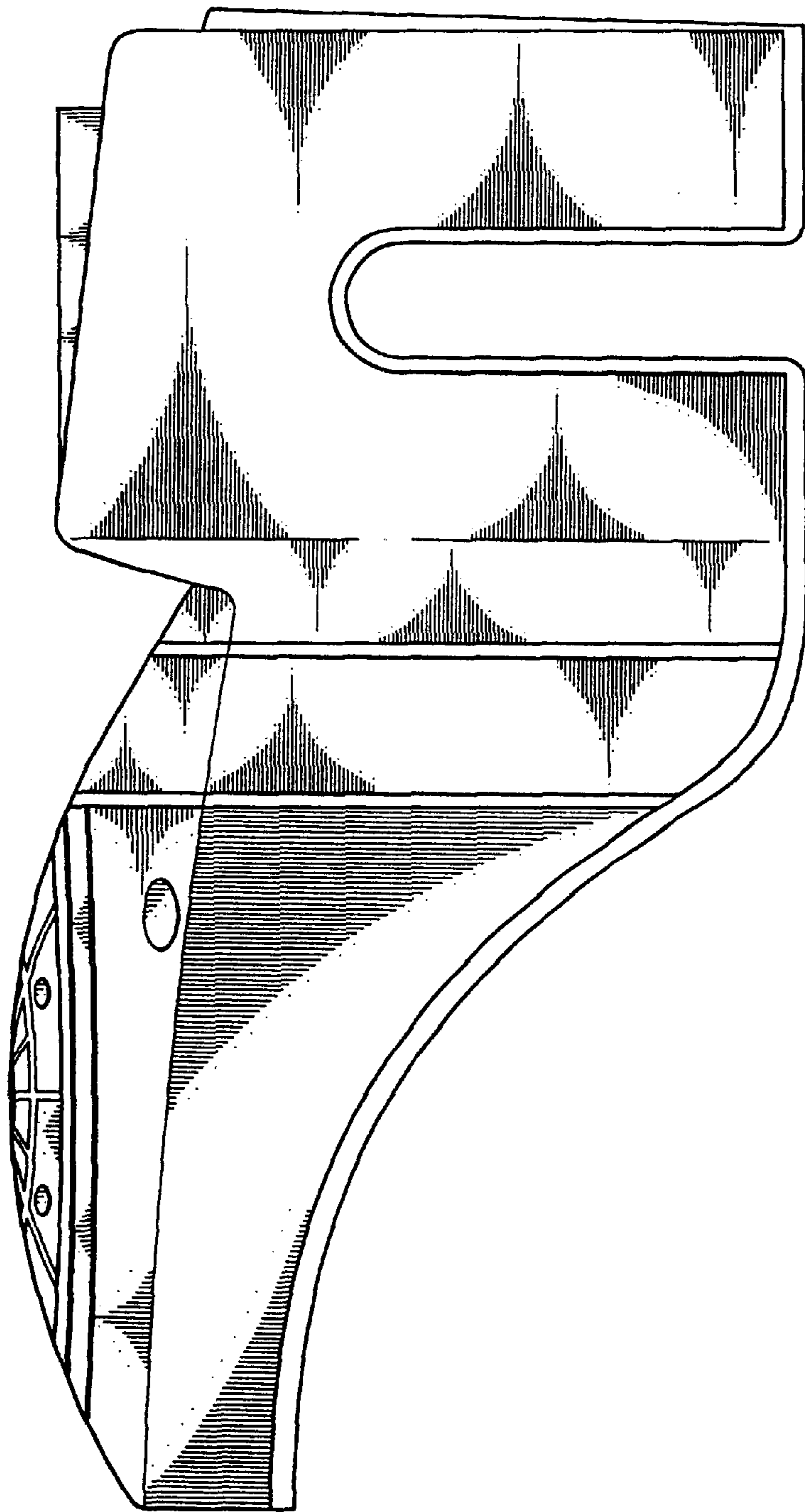
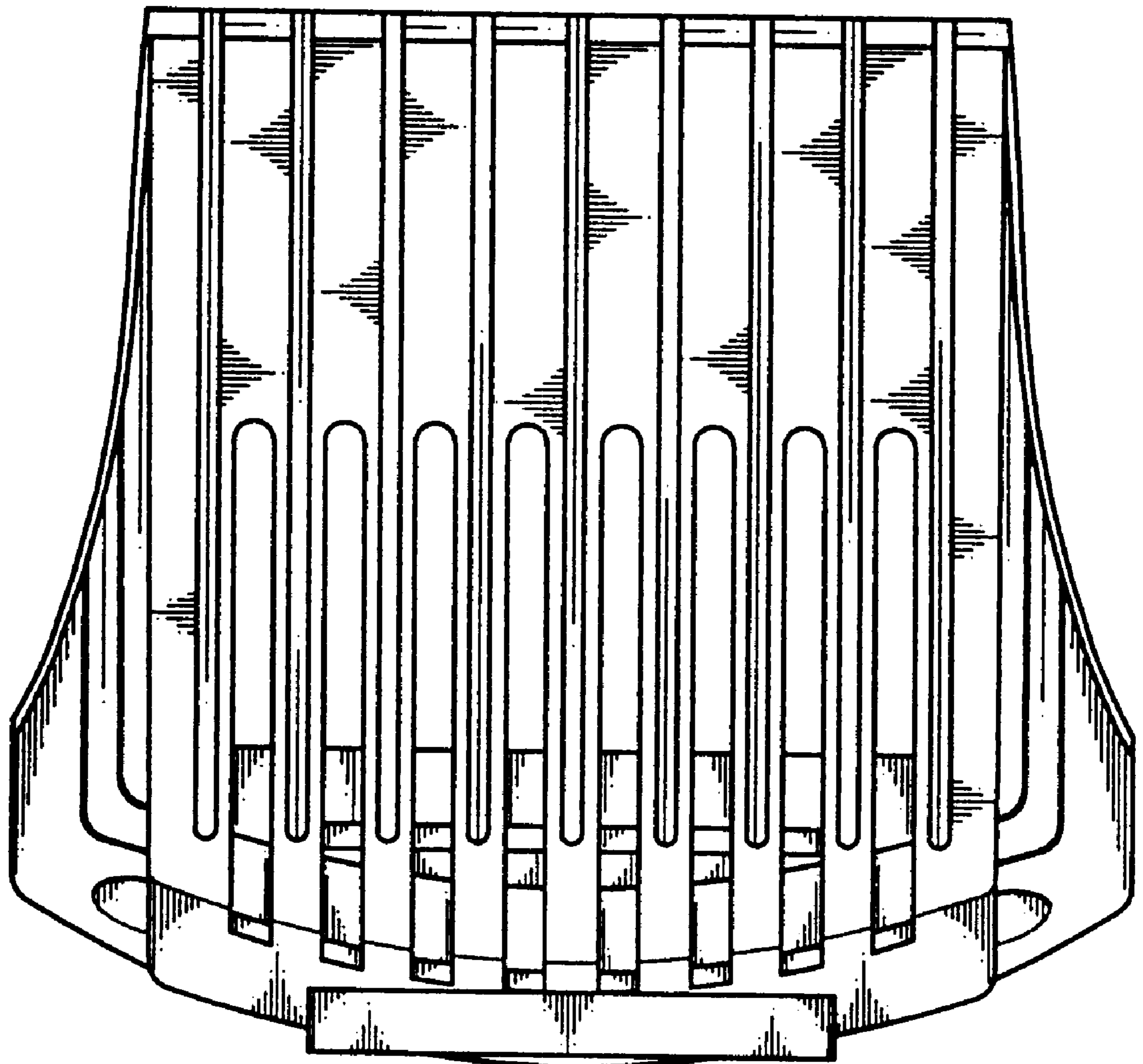


FIG.2



*FIG. 3*

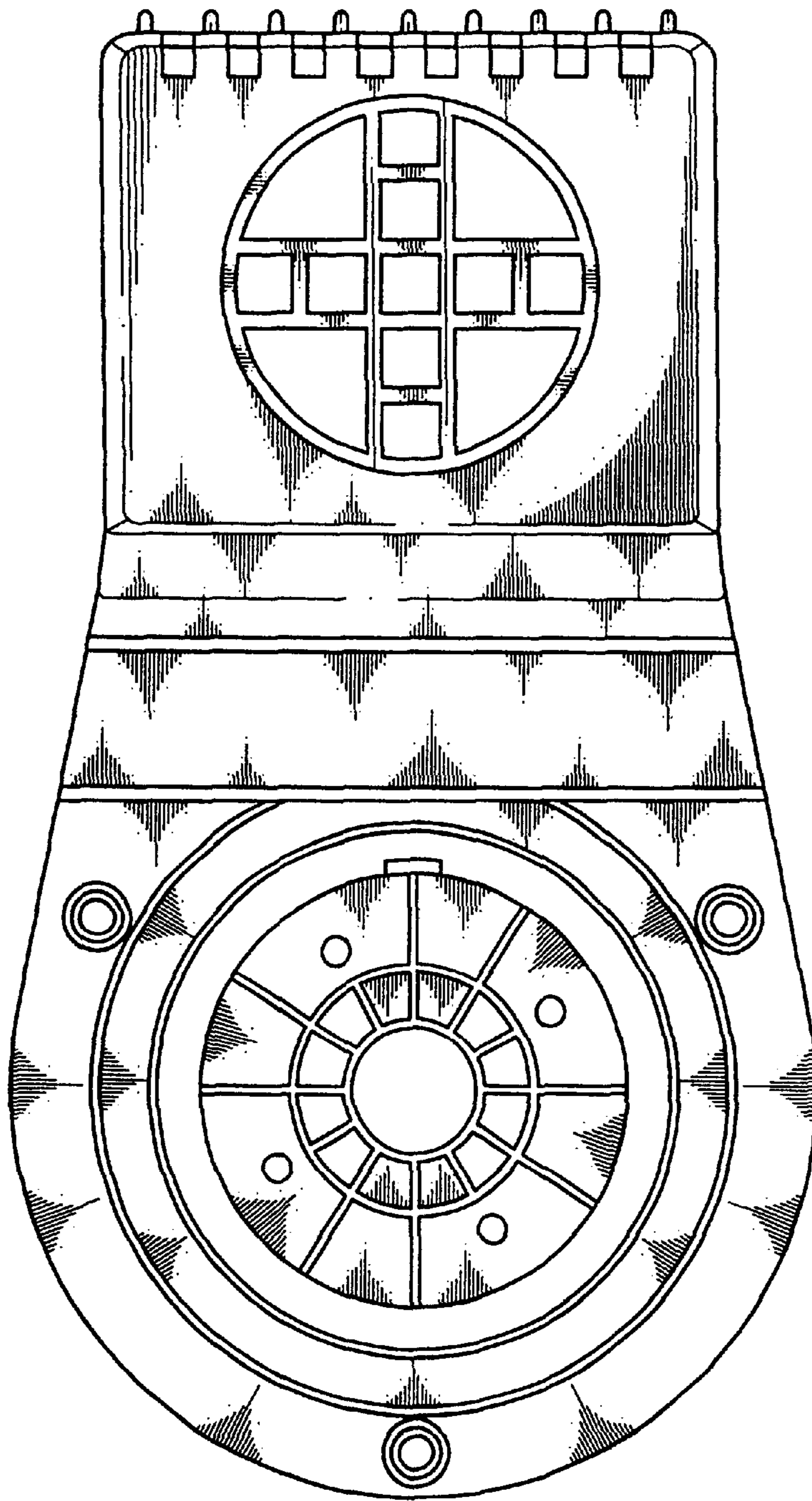
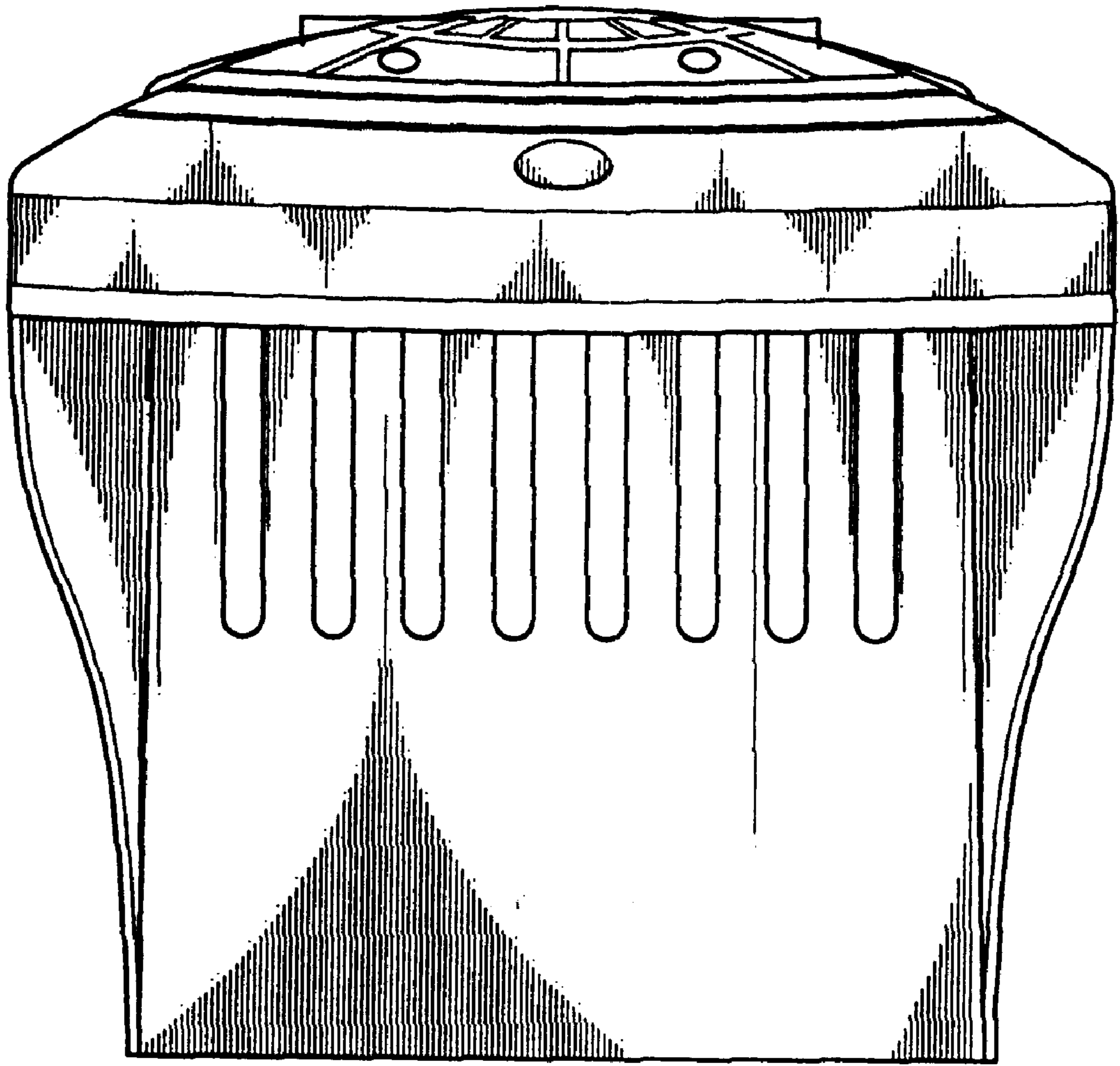


FIG. 4



*FIG. 5*

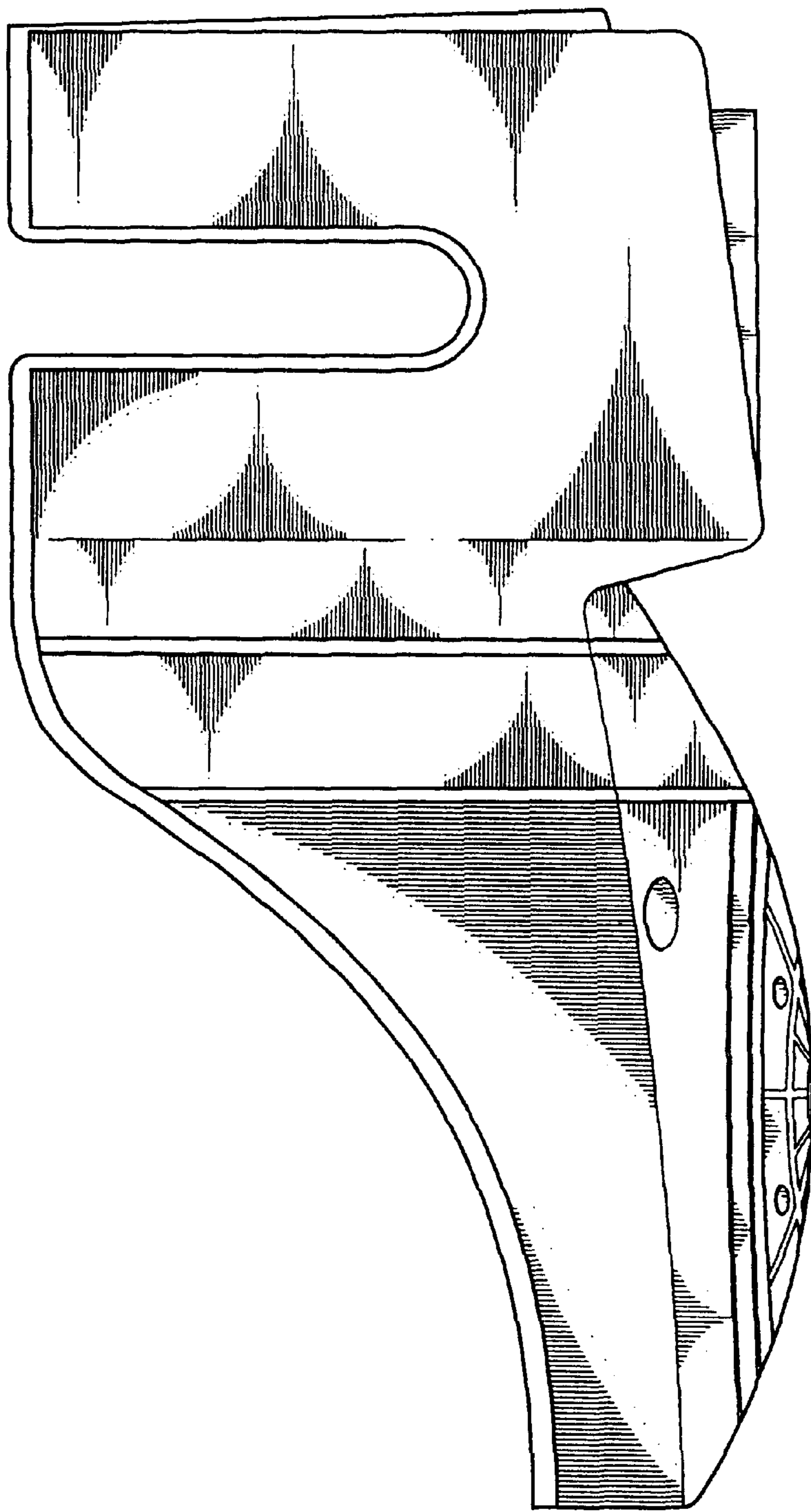


FIG. 6

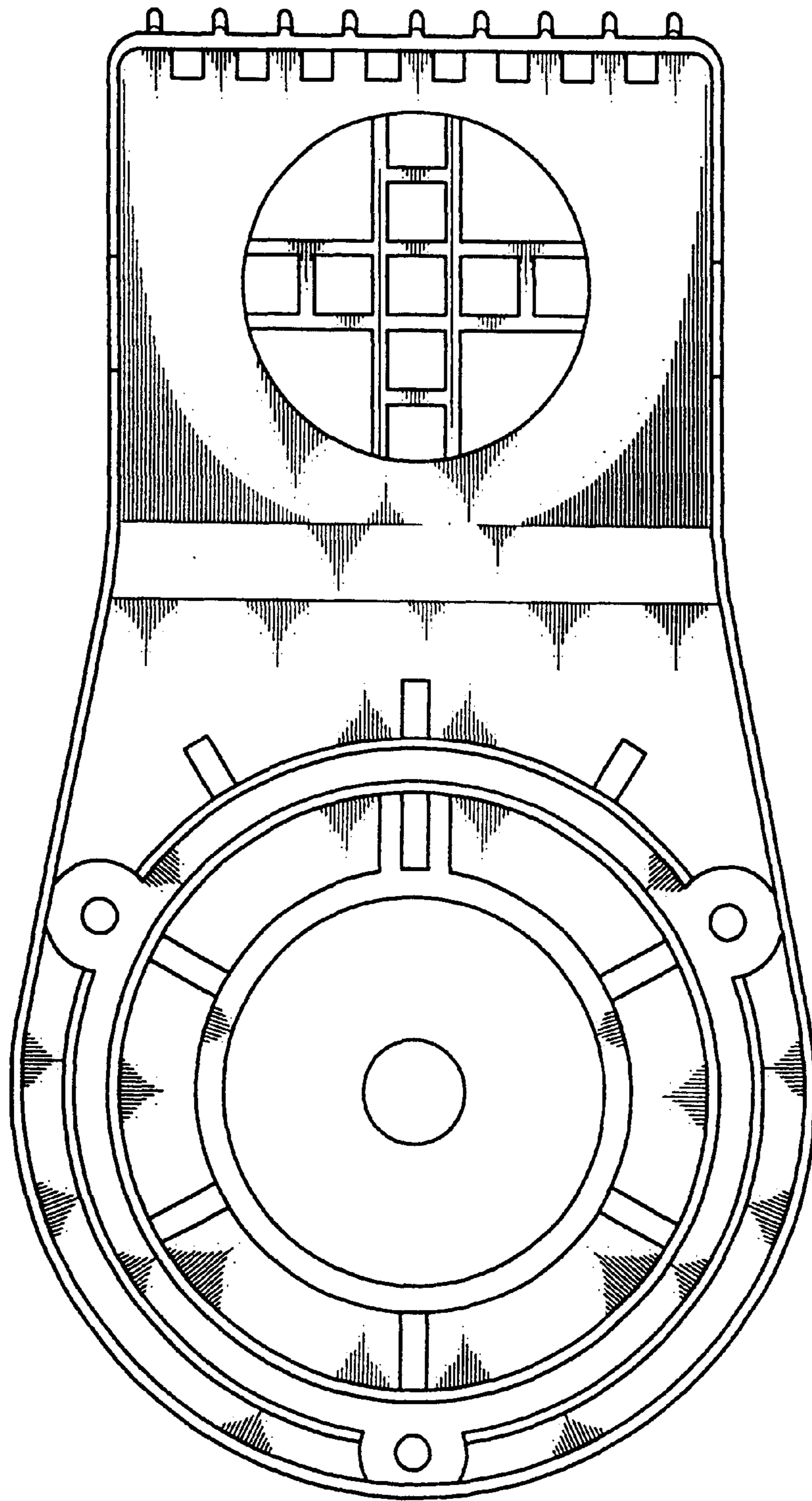


FIG. 7



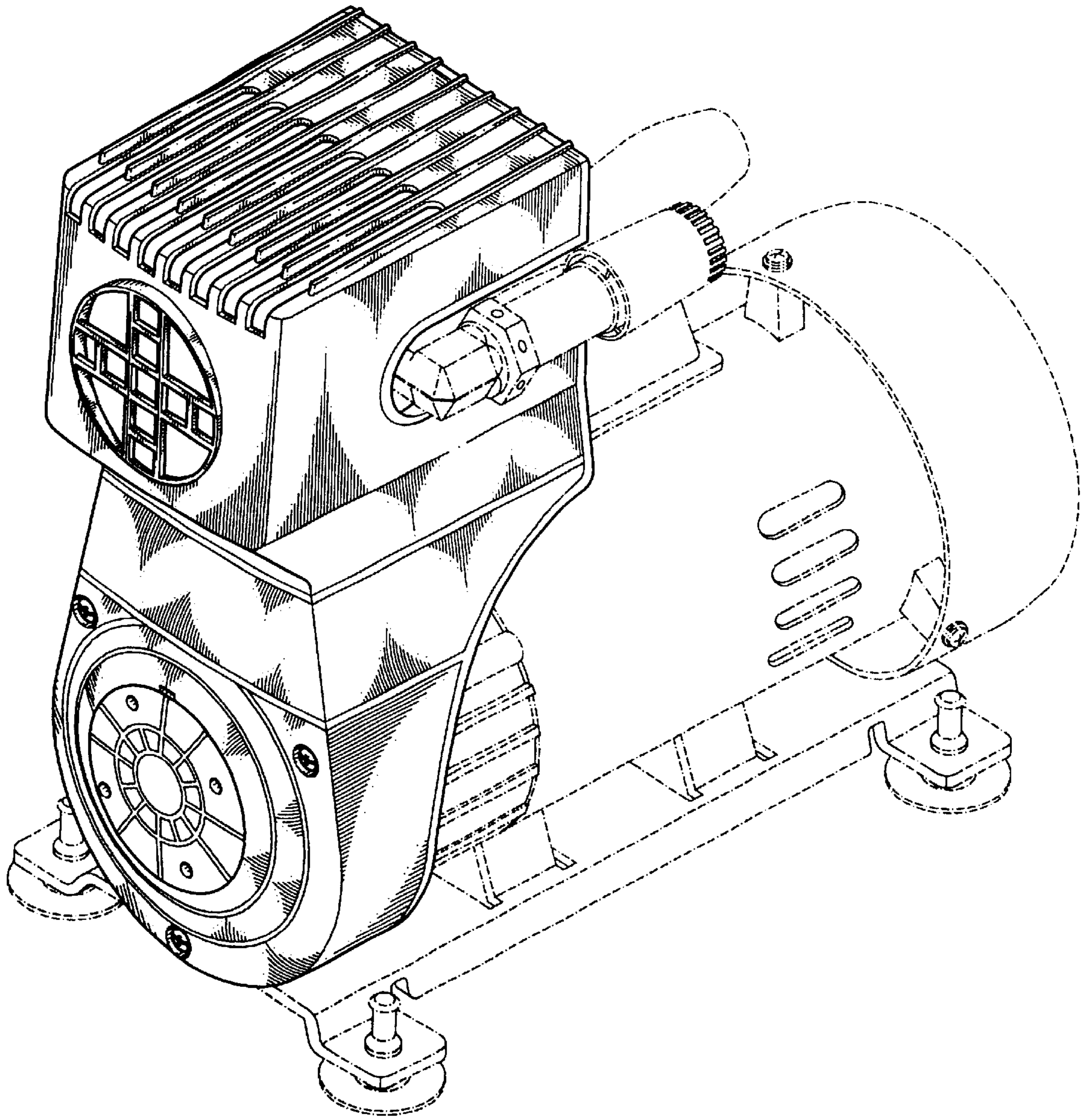


FIG.8