



US00D472896S

(12) **United States Design Patent**  
**Peiker**

(10) **Patent No.:** **US D472,896 S**

(45) **Date of Patent:** **\*\* Apr. 8, 2003**

(54) **TELEPHONE SUPPORT**

(76) Inventor: **Andreas Peiker**, Max-Planck-Strasse  
32, 61381 Friedrichsdorf (DE)

(\*\*) Term: **14 Years**

(21) Appl. No.: **29/143,856**

(22) Filed: **Jun. 22, 2001**

(30) **Foreign Application Priority Data**

Dec. 23, 2000 (DE) ..... 4 00 11 988

(51) **LOC (7) Cl.** ..... **14-03**

(52) **U.S. Cl.** ..... **D14/253**

(58) **Field of Search** ..... D14/137, 434,  
D14/138, 447, 148, 147, 149-151, 140-142,  
240, 241, 251, 253, 451; 379/426, 449,  
419, 420.01-420.04, 428.01-428.04, 440,  
454, 455, 446; 455/500-575, 90; D13/107,  
108; 320/110, 113, 114, 115; D3/218

(56) **References Cited**

**U.S. PATENT DOCUMENTS**

D314,173 S	*	1/1991	Soren et al.	.....	D13/108
5,189,358 A	*	2/1993	Tomura et al.	.....	320/1
D346,798 S	*	5/1994	Nagele	.....	D14/149
D352,711 S	*	11/1994	Solomita et al.	.....	D14/149
D354,961 S	*	1/1995	Richards et al.	.....	D14/253
D362,004 S	*	9/1995	Nakano et al.	.....	D14/253
D368,479 S	*	4/1996	Larson	.....	D14/253
D384,080 S	*	9/1997	Beutler et al.	.....	D14/253

D385,283 S	*	10/1997	Snyder et al.	.....	D14/253
D385,888 S	*	11/1997	Beutler et al.	.....	D14/253
D399,821 S	*	10/1998	Tyneski et al.	.....	D13/118
D413,607 S	*	9/1999	Lindahl	.....	D14/253
D421,443 S	*	3/2000	Nagele et al.	.....	D14/253
D425,908 S	*	5/2000	Collins	.....	D14/253
D428,002 S	*	7/2000	Lindahl	.....	D14/253
D428,387 S	*	7/2000	Malloy et al.	.....	D13/107
D432,530 S	*	10/2000	Lindahl	.....	D14/253
D437,315 S	*	2/2001	Hunt	.....	D14/253
D445,975 S	*	7/2001	Stratford	.....	D13/108

\* cited by examiner

*Primary Examiner*—Jeffrey Asch

(74) *Attorney, Agent, or Firm*—Venable, LLP; Robert Kinberg

(57) **CLAIM**

The ornamental design for a telephone support, as shown and described.

**DESCRIPTION**

FIG. 1 is a front-bottom-left perspective view of my new design for a telephone support.

FIG. 2 is a front view thereof.

FIG. 3 is a right side view thereof.

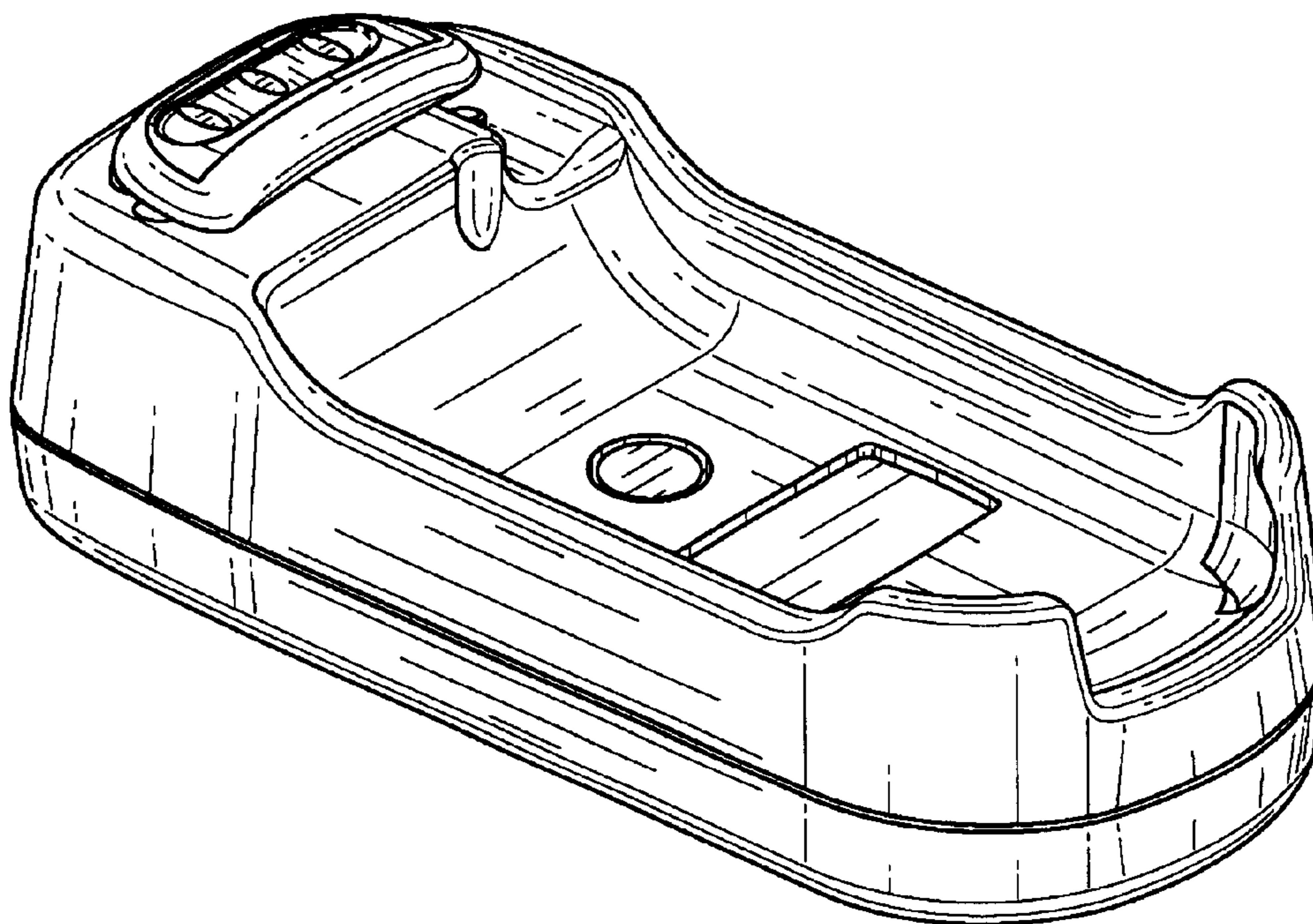
FIG. 4 is a left side view thereof.

FIG. 5 is a top view thereof.

FIG. 6 is a bottom view thereof; and,

FIG. 7 is a rear view thereof.

**1 Claim, 7 Drawing Sheets**



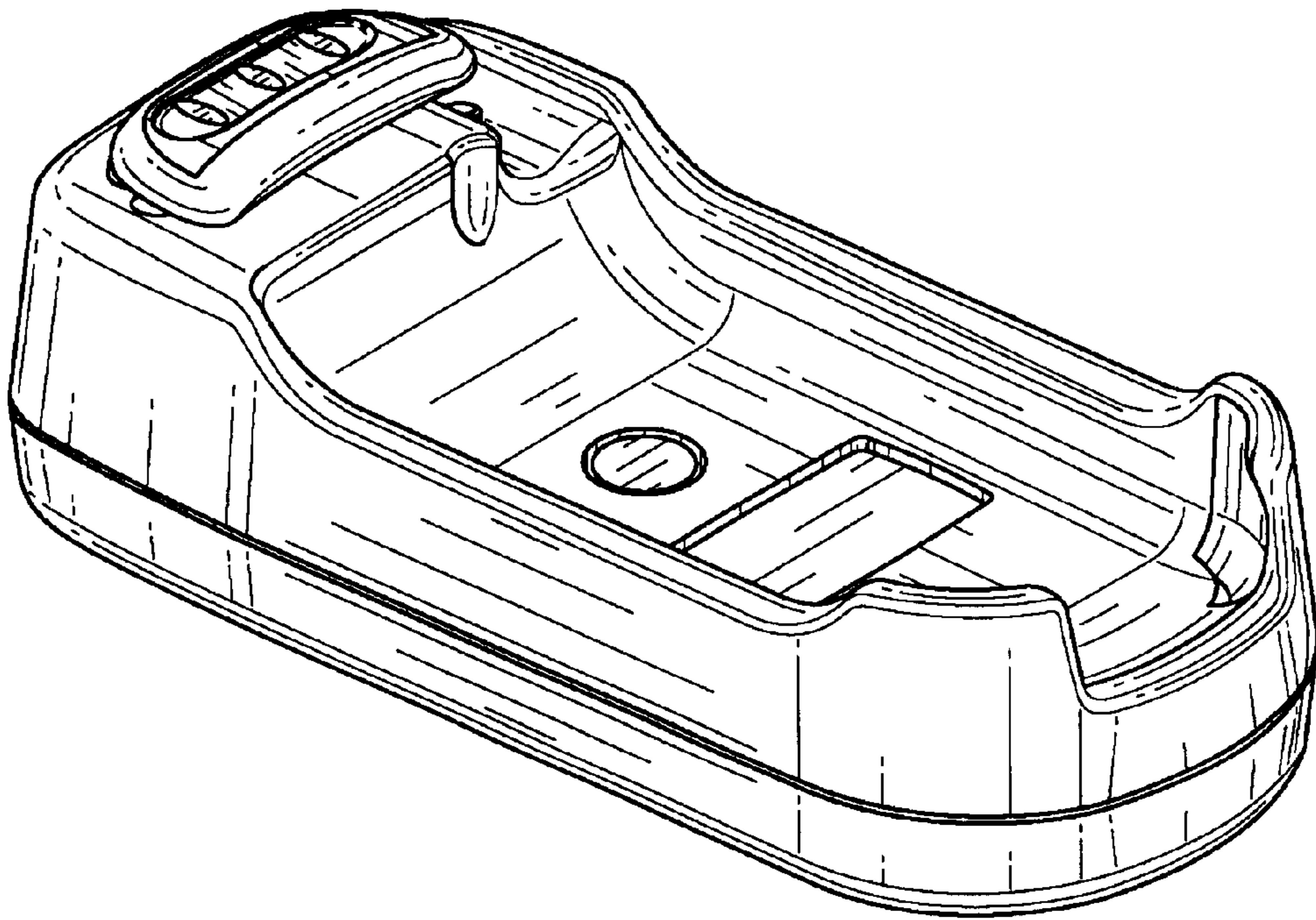


FIG. 1

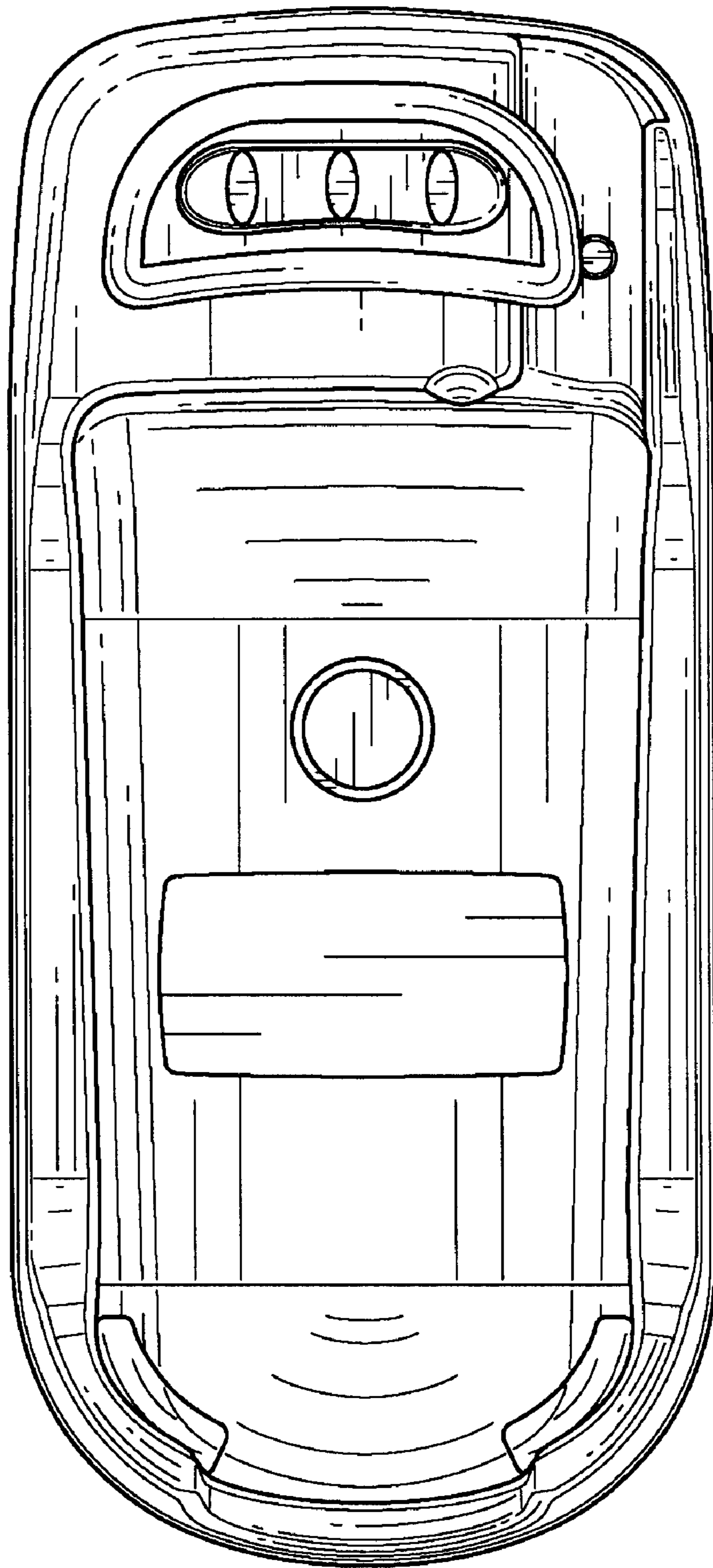


FIG. 2

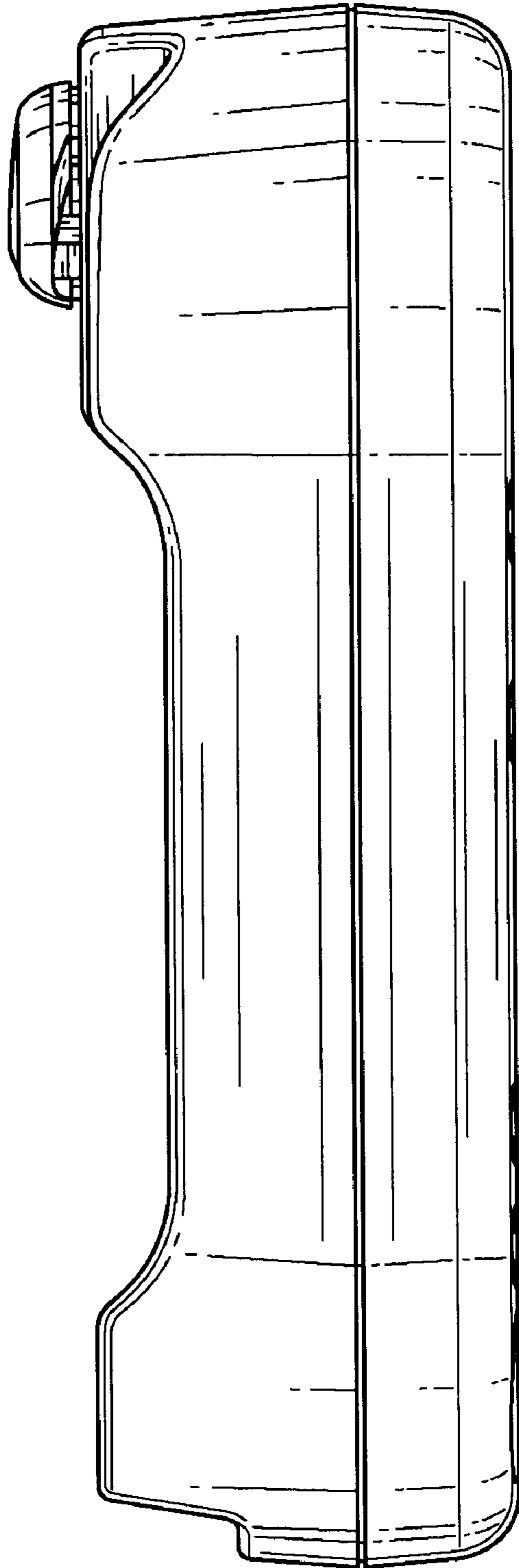


FIG. 3

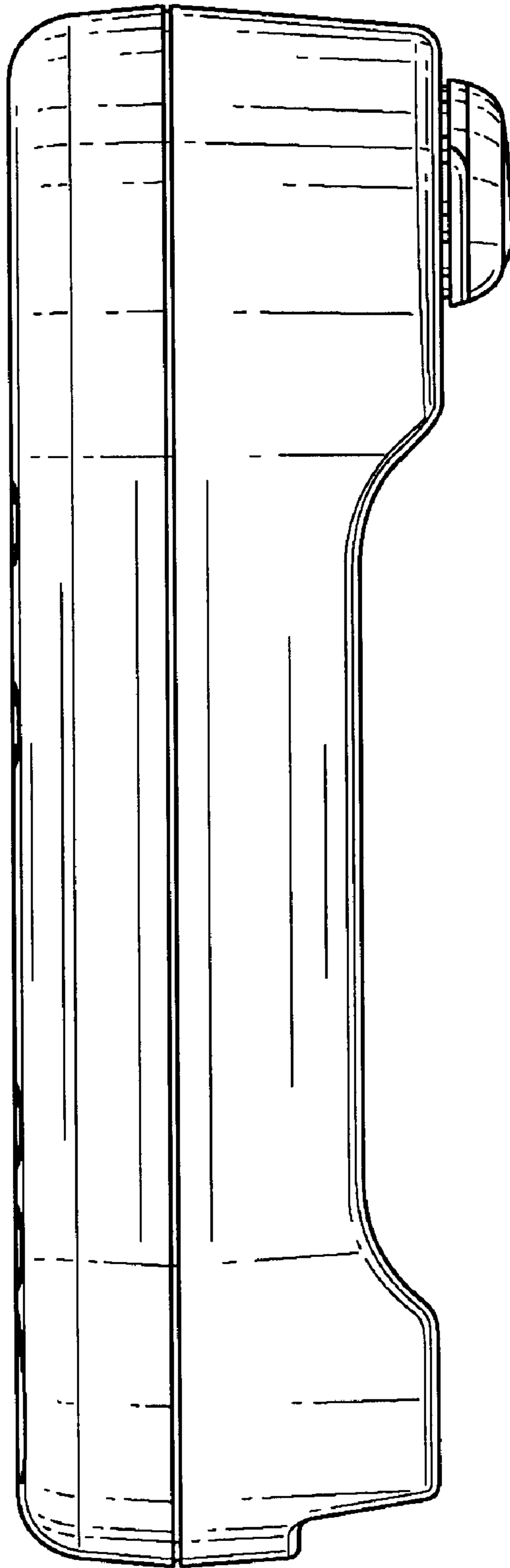


FIG. 4

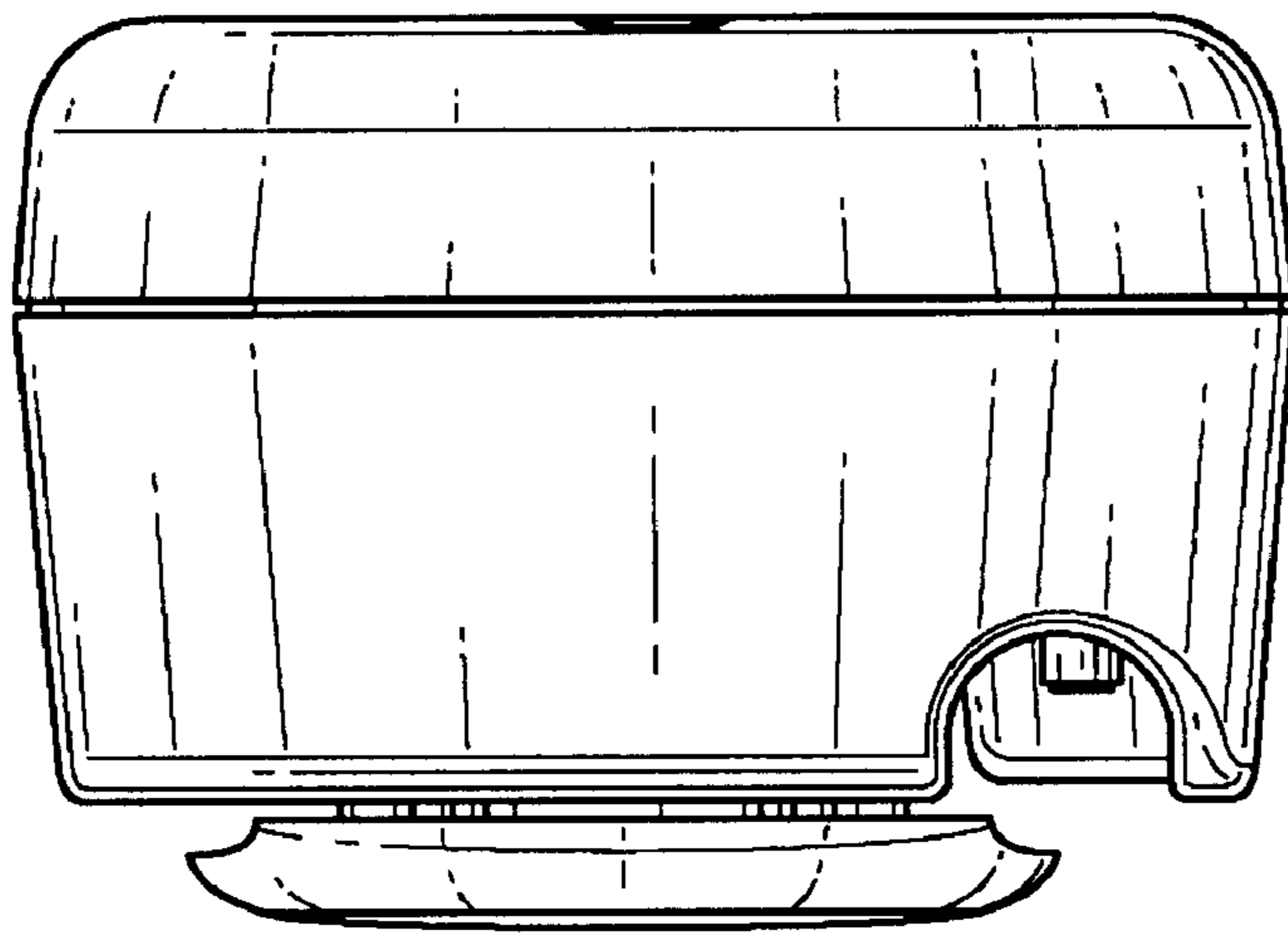


FIG. 5

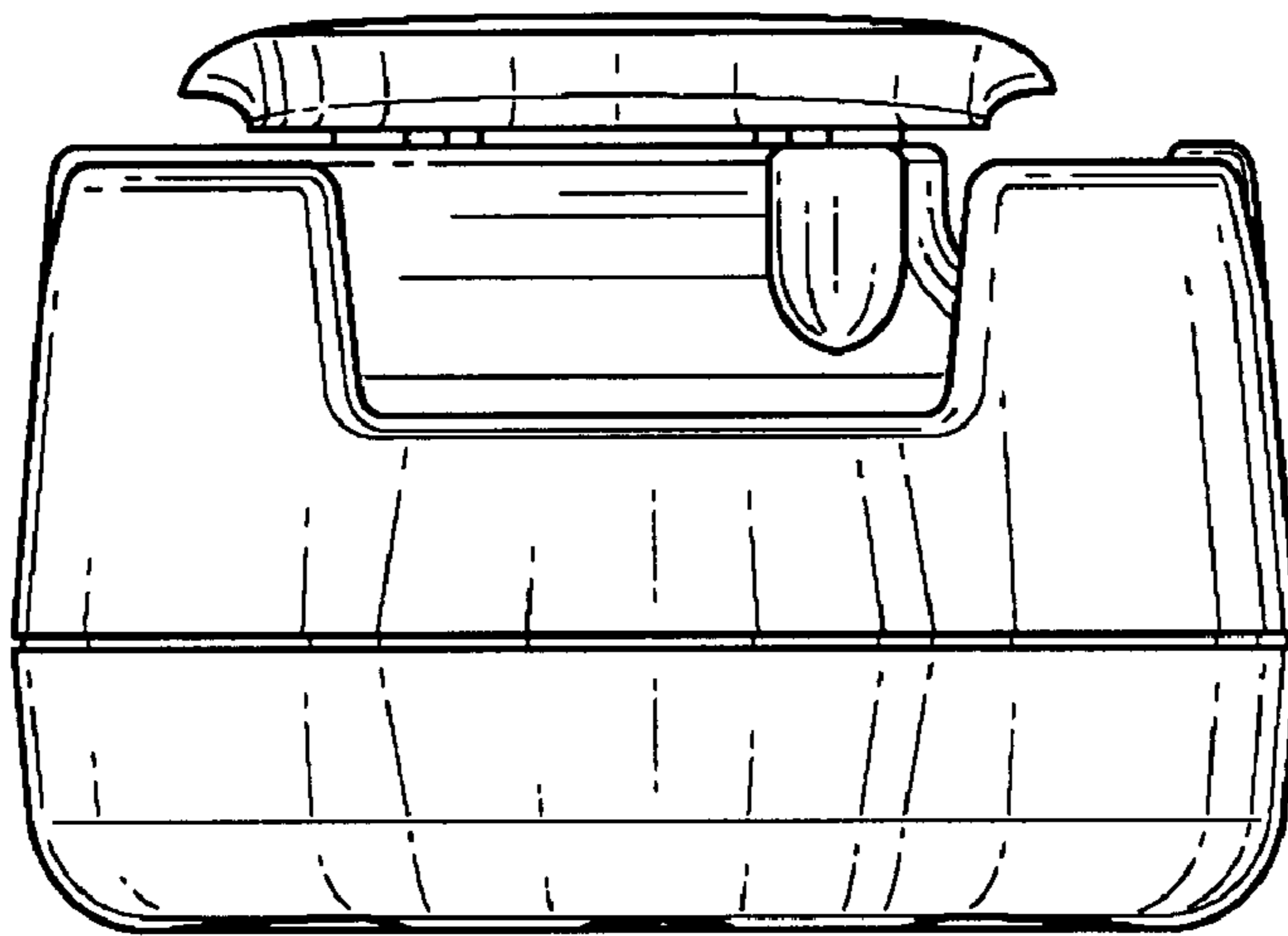


FIG. 6

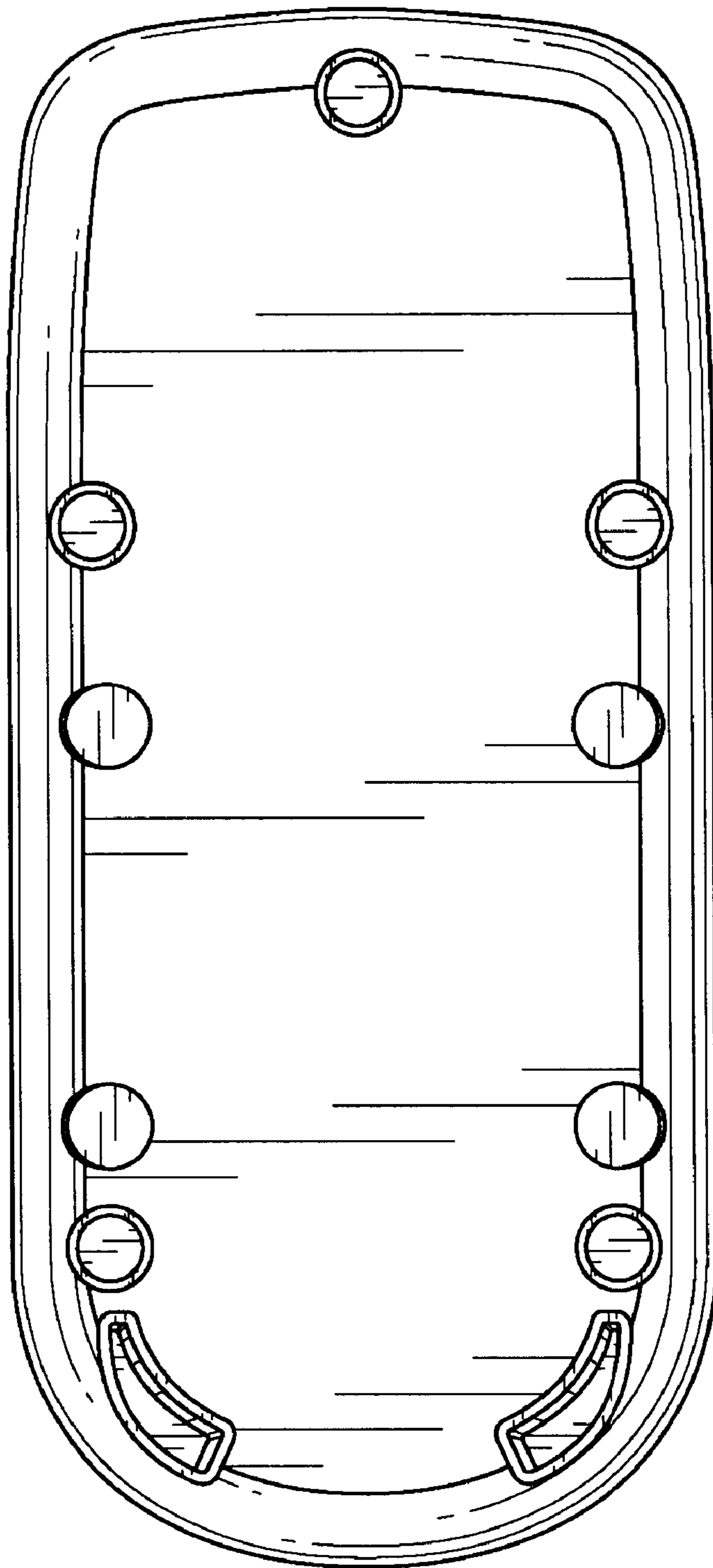


FIG. 7