



US00D472893S

(12) **United States Design Patent**
Pullman

(10) **Patent No.:** **US D472,893 S**

(45) **Date of Patent:** **** Apr. 8, 2003**

(54) **TELECOMMUNICATIONS EQUIPMENT
HOUSING DESIGN**

(75) **Inventor:** **Marc H. Pullman**, Bartlett, IL (US)

(73) **Assignee:** **U.S. Robotics**, Schaumburg, IL (US)

(**) **Term:** **14 Years**

(21) **Appl. No.:** **29/158,813**

(22) **Filed:** **Apr. 9, 2002**

(51) **LOC (7) Cl.** **14-03**

(52) **U.S. Cl.** **D14/240**

(58) **Field of Search** D14/137, 240,
D14/138, 242, 308, 356, 357, 358, 311,
313, 441, 144, 348-355, 370, 341-347,
125, 432, 433, 155, 299, 257, 439, 140,
188, 230, 241, 243, 245; 379/433.01-433.13,
419, 434, 428.01-428.04, 420.01-420.04,
440, 441, 442; 455/550-575, 90; D13/184,
123, 152, 147, 110, 164; 200/296, 293;
361/600, 622, 684, 724-728, 702

D380,475 S	*	7/1997	Rasmussen	D14/240
D381,647 S	*	7/1997	Terng	D14/358
D384,065 S	*	9/1997	Bice et al.	D14/149
D391,267 S	*	2/1998	Lindeman et al.	D14/257
D394,266 S	*	5/1998	Hogenbirk	D14/240
D395,048 S	*	6/1998	Kobayashi	D14/240
D404,736 S	*	1/1999	Alvarez et al.	D14/229
D414,186 S	*	9/1999	Hogenbirk	D14/217
D414,774 S	*	10/1999	Gauffin	D14/240
D415,769 S	*	10/1999	Waldner	D14/240
D429,238 S	*	8/2000	Kolinen	D14/240
D436,596 S	*	1/2001	Ito et al.	D14/434
D438,532 S	*	3/2001	Gargani et al.	D14/240
D438,533 S	*	3/2001	Arpe	D14/240
D442,922 S	*	5/2001	Sato	D13/177
D448,352 S	*	9/2001	Atsushi	D13/177
6,328,612 B1	*	12/2001	Chung	439/717
D454,544 S	*	3/2002	Takach, Jr. et al.	D13/152
D460,443 S	*	7/2002	Brunner et al.	D14/240
D462,954 S	*	9/2002	Chen	D14/299

* cited by examiner

Primary Examiner—Jeffrey Asch

(74) *Attorney, Agent, or Firm*—Mayer, Brown, Rowe & Maw

(56) **References Cited**

U.S. PATENT DOCUMENTS

D309,298 S	*	7/1990	Pushelberg	D14/242
D339,808 S	*	9/1993	Khoo et al.	D14/251
D342,249 S	*	12/1993	Beaumont et al.	D14/142
D342,250 S	*	12/1993	Beaumont et al.	D14/142
D352,941 S	*	11/1994	Bolton, Jr.	D14/142
D367,859 S	*	3/1996	Beaumont et al.	D14/142
D368,905 S	*	4/1996	Otani	D14/125
D369,149 S	*	4/1996	Chang et al.	D14/357
D374,673 S	*	10/1996	Beaumont et al.	D14/240
D375,948 S	*	11/1996	Langlois	D14/471

(57) **CLAIM**

The ornamental design for a telecommunications equipment housing design, as shown and described.

DESCRIPTION

FIG. 1 is an angled view showing my new design;
FIG. 2 is a bottom plan view thereof;
FIG. 3 is a front view thereof;
FIG. 4 is a side view thereof; and,
FIG. 5 is a rear view thereof.

1 Claim, 2 Drawing Sheets

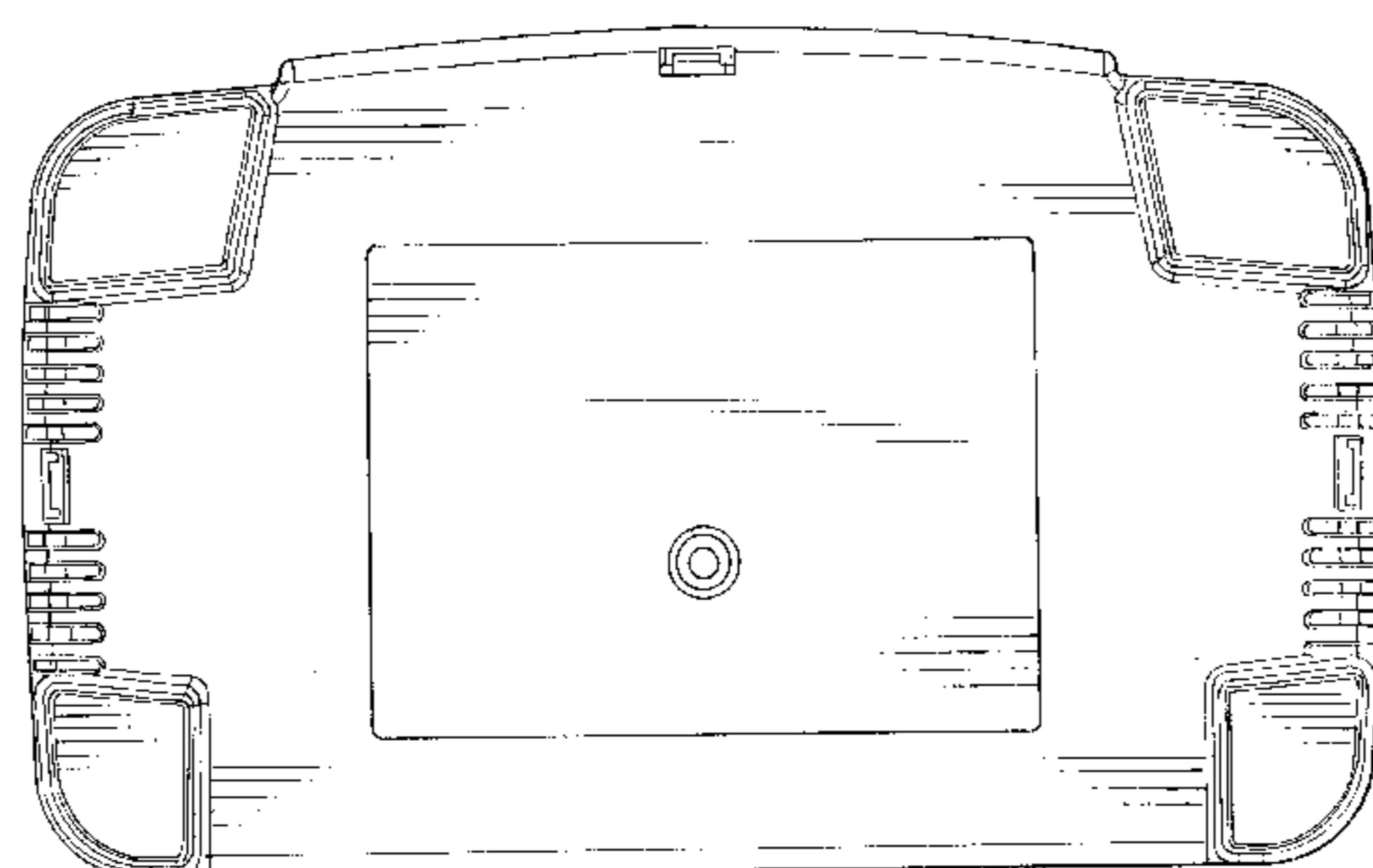
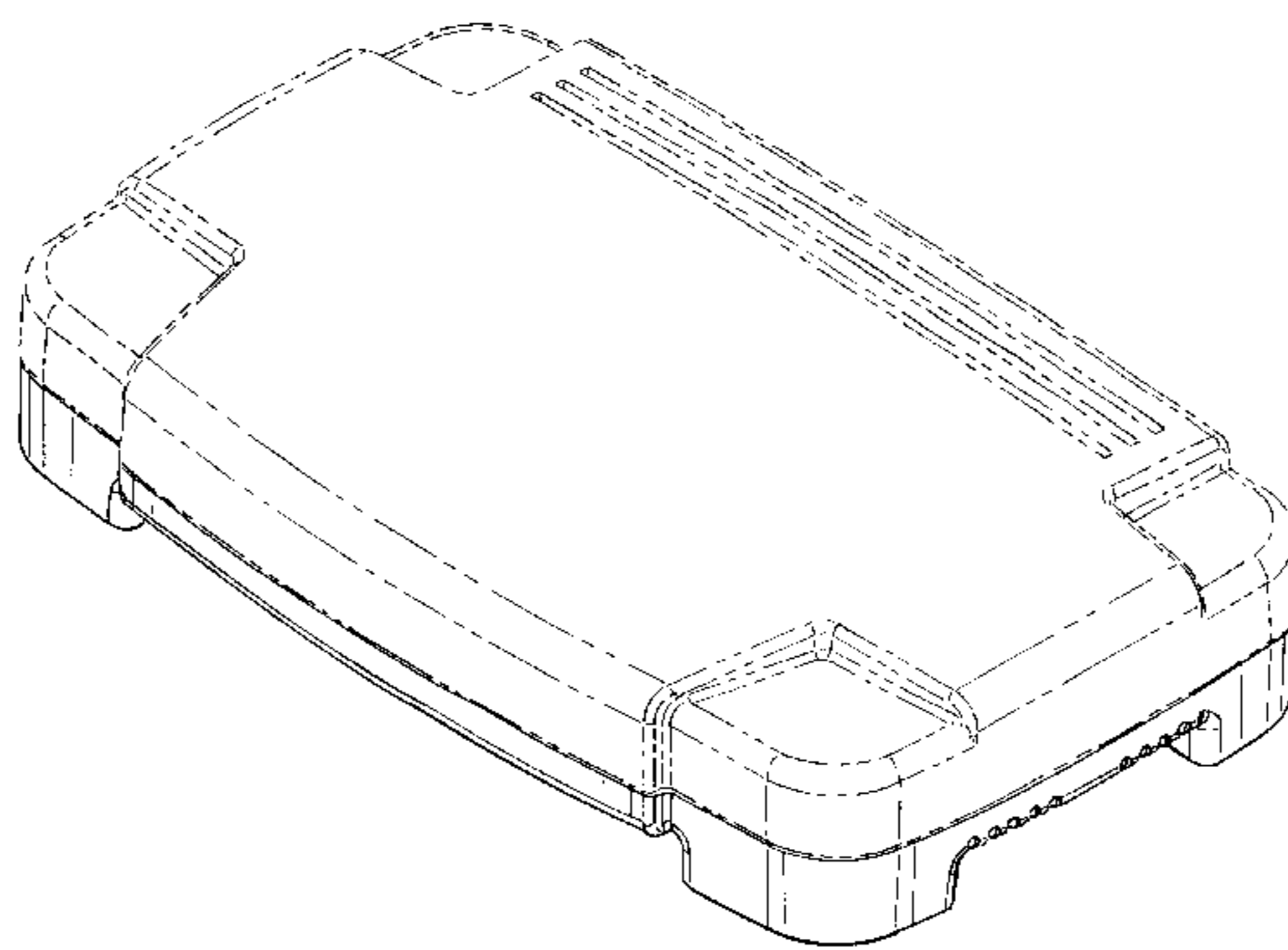


FIG. 1

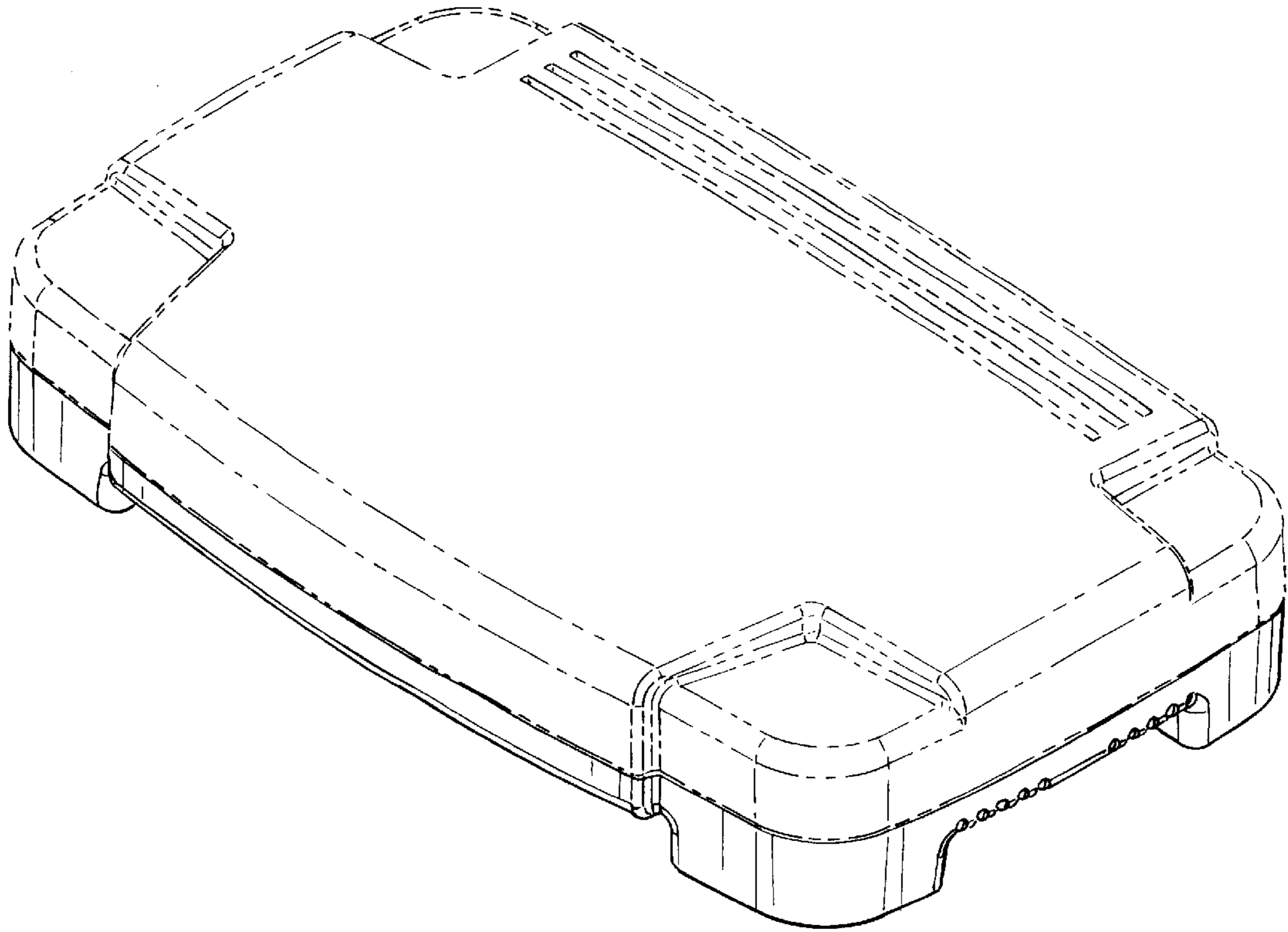


FIG. 2

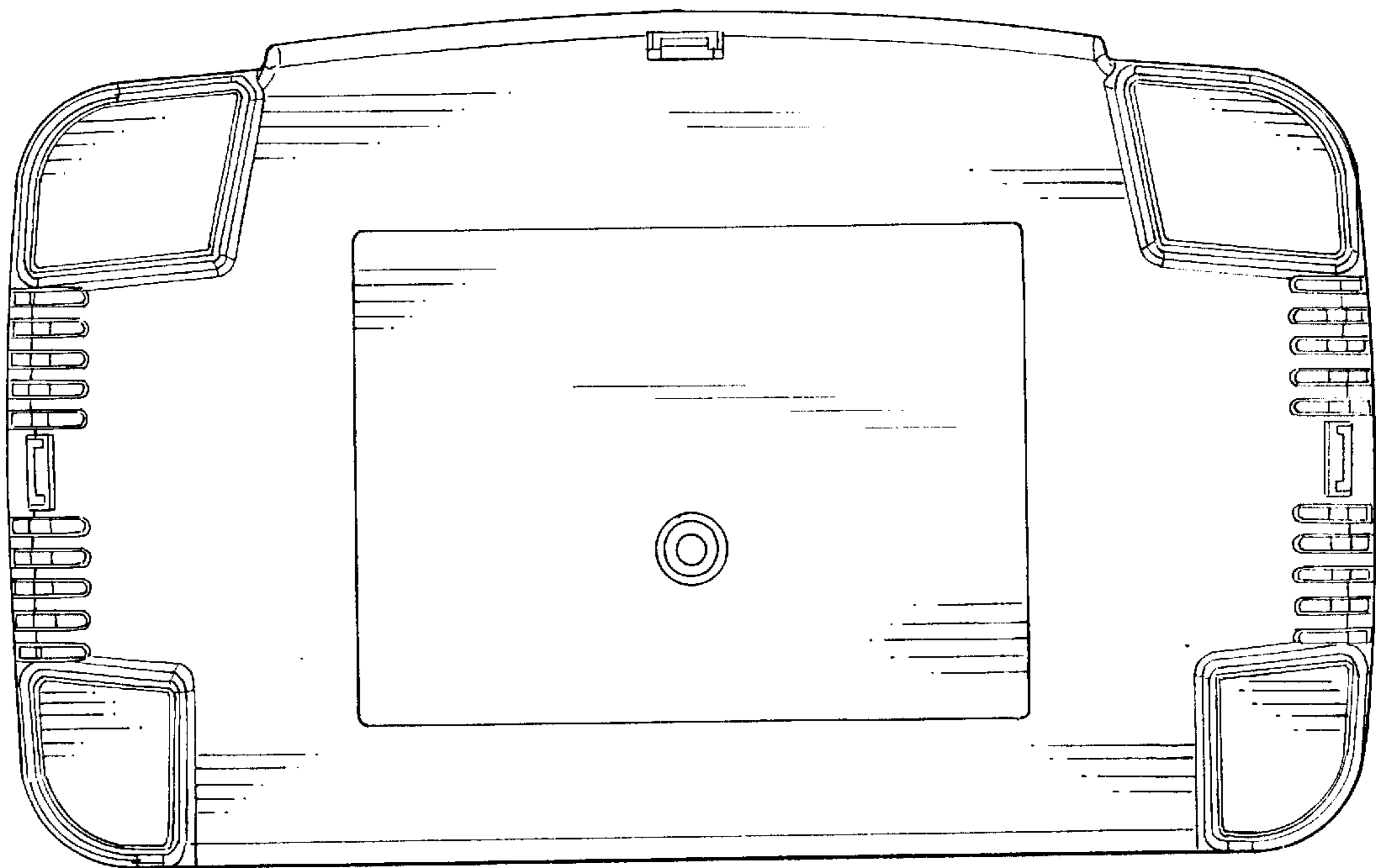


FIG. 3

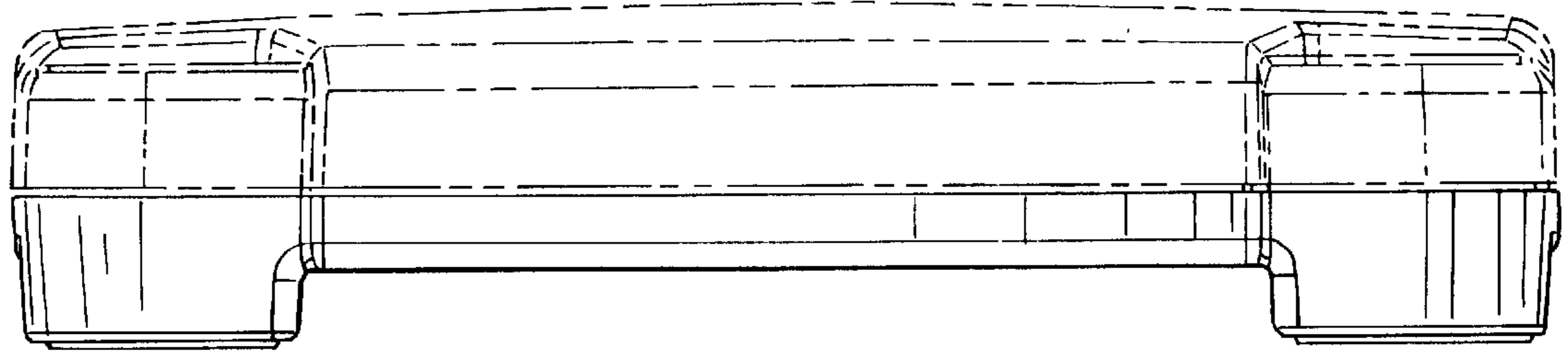


FIG. 4

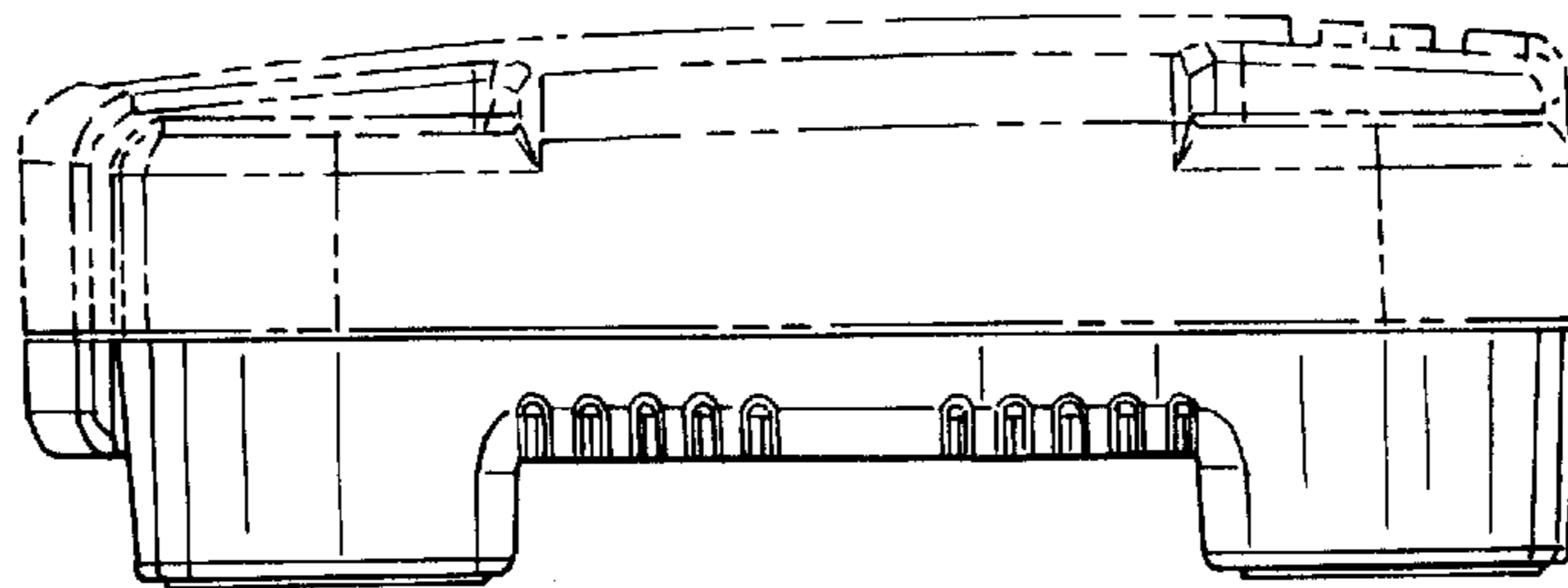


FIG. 5

