



US00D472892S

(12) **United States Design Patent**
Tourres

(10) **Patent No.:** **US D472,892 S**

(45) **Date of Patent:** **** Apr. 8, 2003**

(54) **GLASS MOUNTABLE ANTENNA ASSEMBLY**

(75) **Inventor:** **Benoit Tourres**, Porchester (GB)

(73) **Assignee:** **Continental Technologies & Investments Ltd**, Fareham (GB)

(**) **Term:** **14 Years**

(21) **Appl. No.:** **29/147,993**

(22) **Filed:** **Sep. 13, 2001**

(51) **LOC (7) Cl.** **14-03**

(52) **U.S. Cl.** **D14/230**

(58) **Field of Search** D14/230-238;
343/711-717, 720, 900, 901, 907, 872,
873, 878, 879, 702; 455/90, 128, 347, 562;
D12/42, 43, 81

(56) **References Cited**

U.S. PATENT DOCUMENTS

- D271,766 S * 12/1983 Eckmann et al. D14/230
- 4,794,319 A * 12/1988 Shimazaki 343/715
- D310,224 S * 8/1990 Cooper D14/230
- D320,602 S * 10/1991 Wells et al. D14/238

- D367,481 S * 2/1996 Bacnik D14/230
- 5,565,877 A * 10/1996 Du et al. 343/715
- D388,088 S * 12/1997 Bond et al. D14/238
- 6,356,237 B1 * 3/2002 Kim 343/713

* cited by examiner

Primary Examiner—Louis S. Zarfes

Assistant Examiner—Deanne Levy

(74) *Attorney, Agent, or Firm*—Webb Ziesenheim Logsdon Orkin & Hanson, P.C.

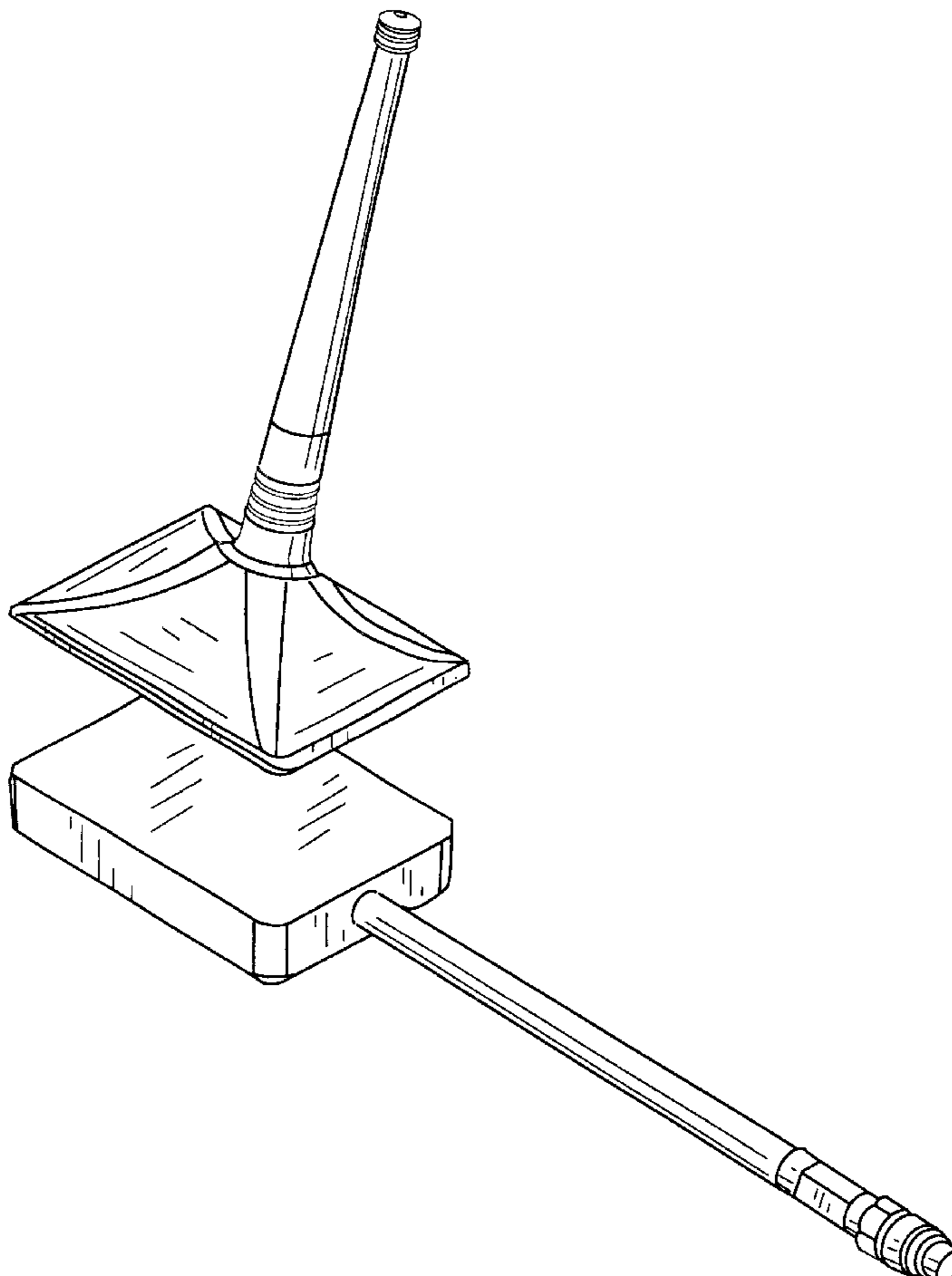
(57) **CLAIM**

The ornamental design for a glass mountable antenna assembly, as shown.

DESCRIPTION

FIG. 1 is a perspective view of a glass mountable antenna assembly showing the new ornamental design; FIG. 2 is a top plan view thereof; FIG. 3 is a front side elevational view thereof; FIG. 4 is a left end elevational view thereof; FIG. 5 is a right end elevational view thereof; FIG. 6 is a bottom plan view thereof; and, FIG. 7 is a rear plan view thereof.

1 Claim, 4 Drawing Sheets



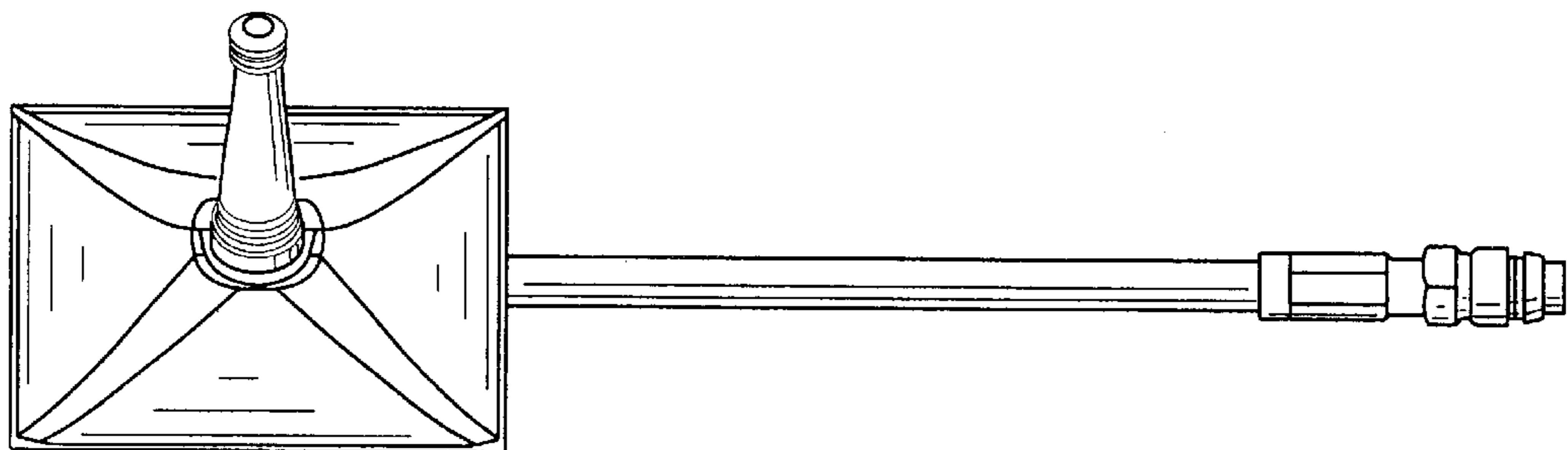
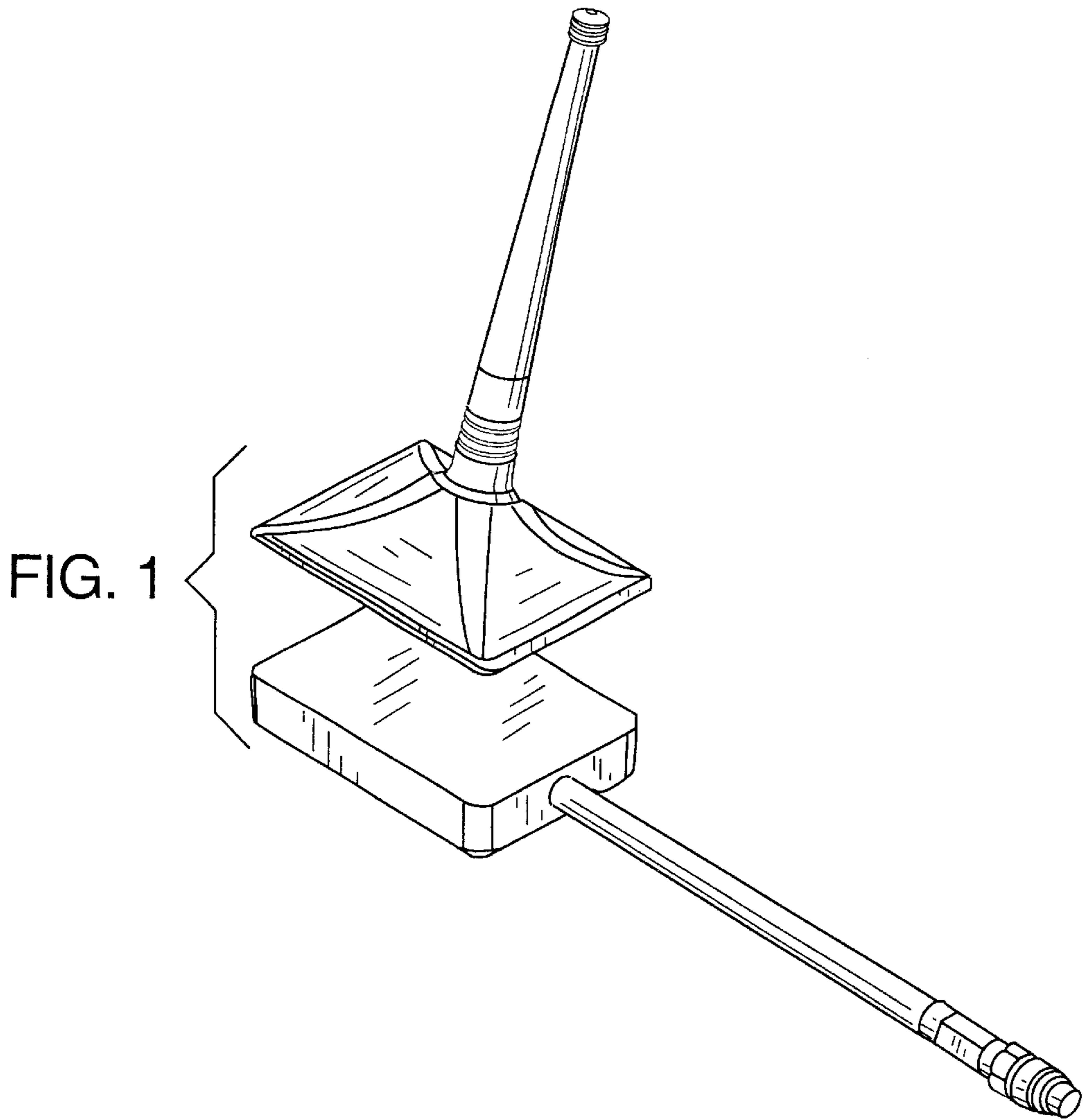
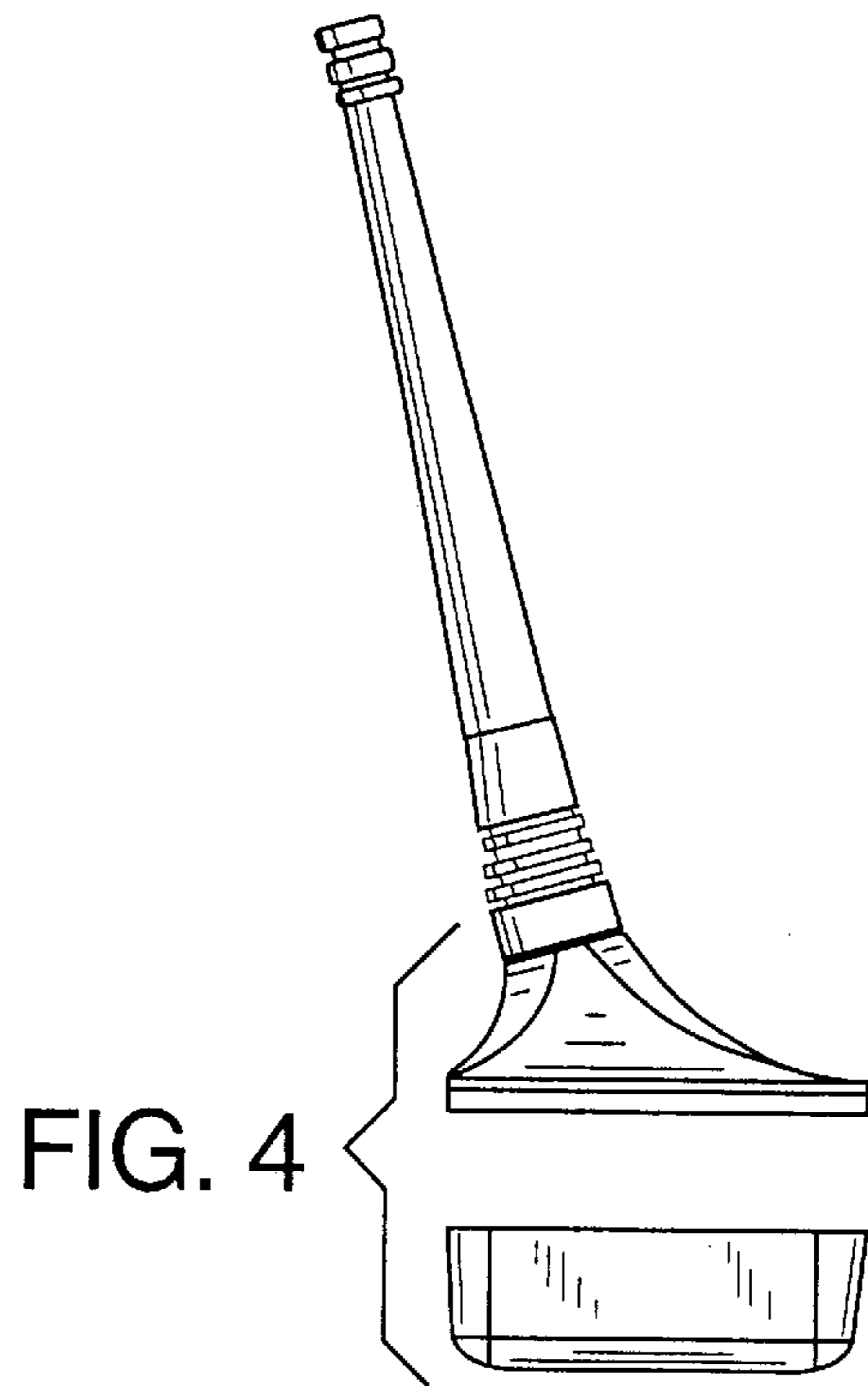
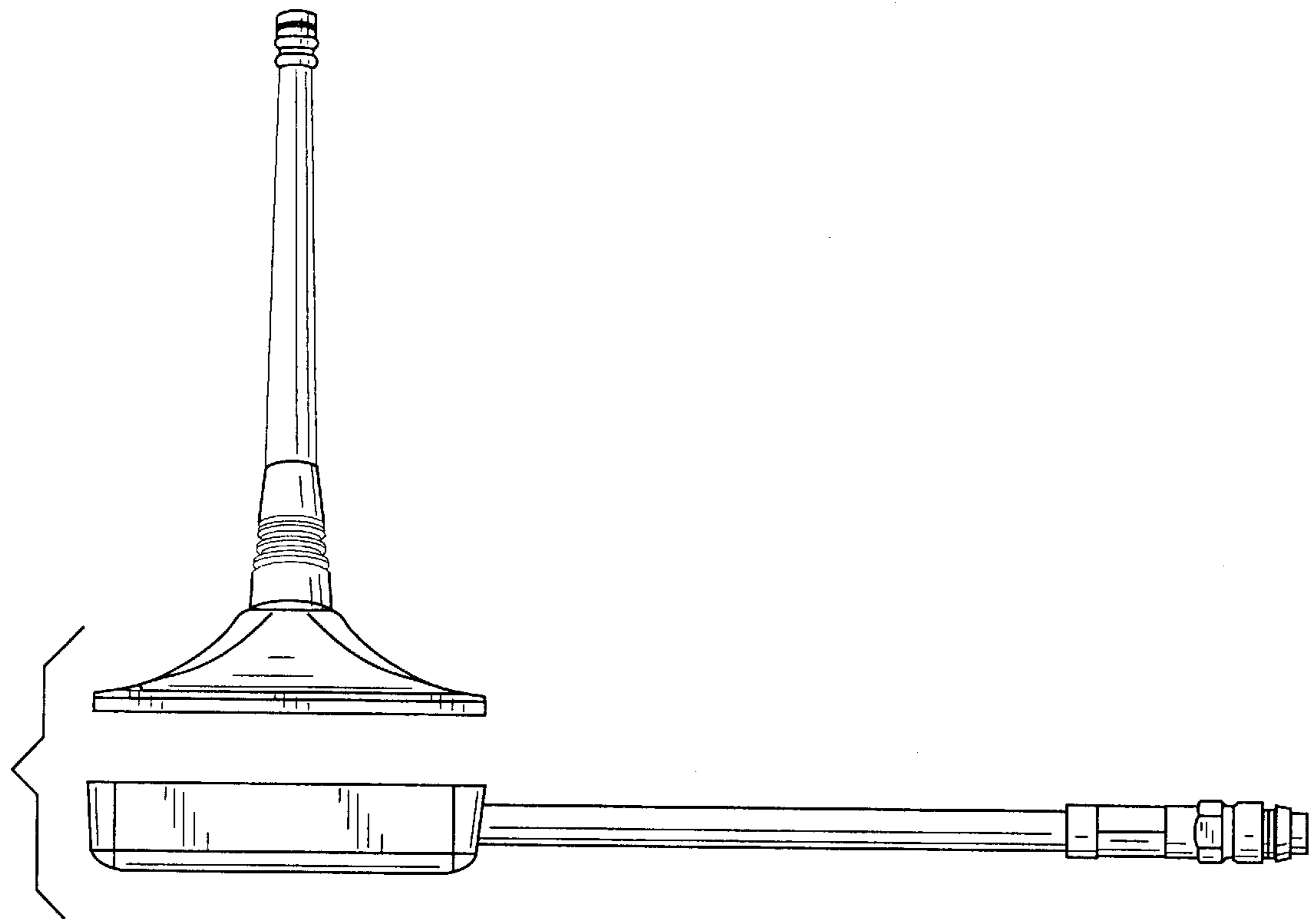


FIG. 2



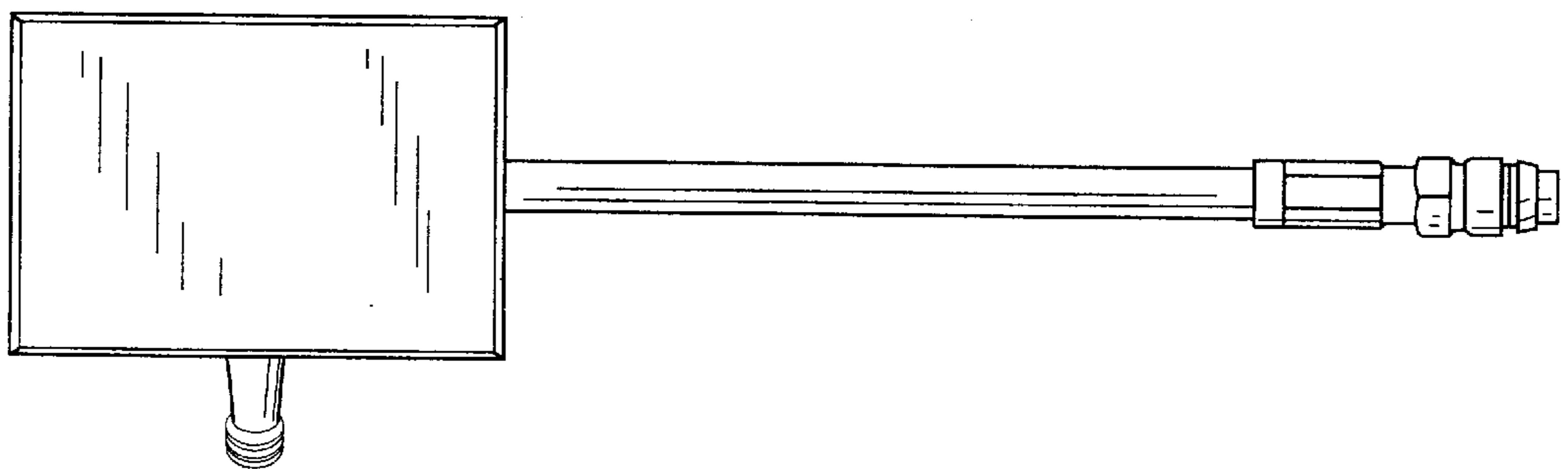
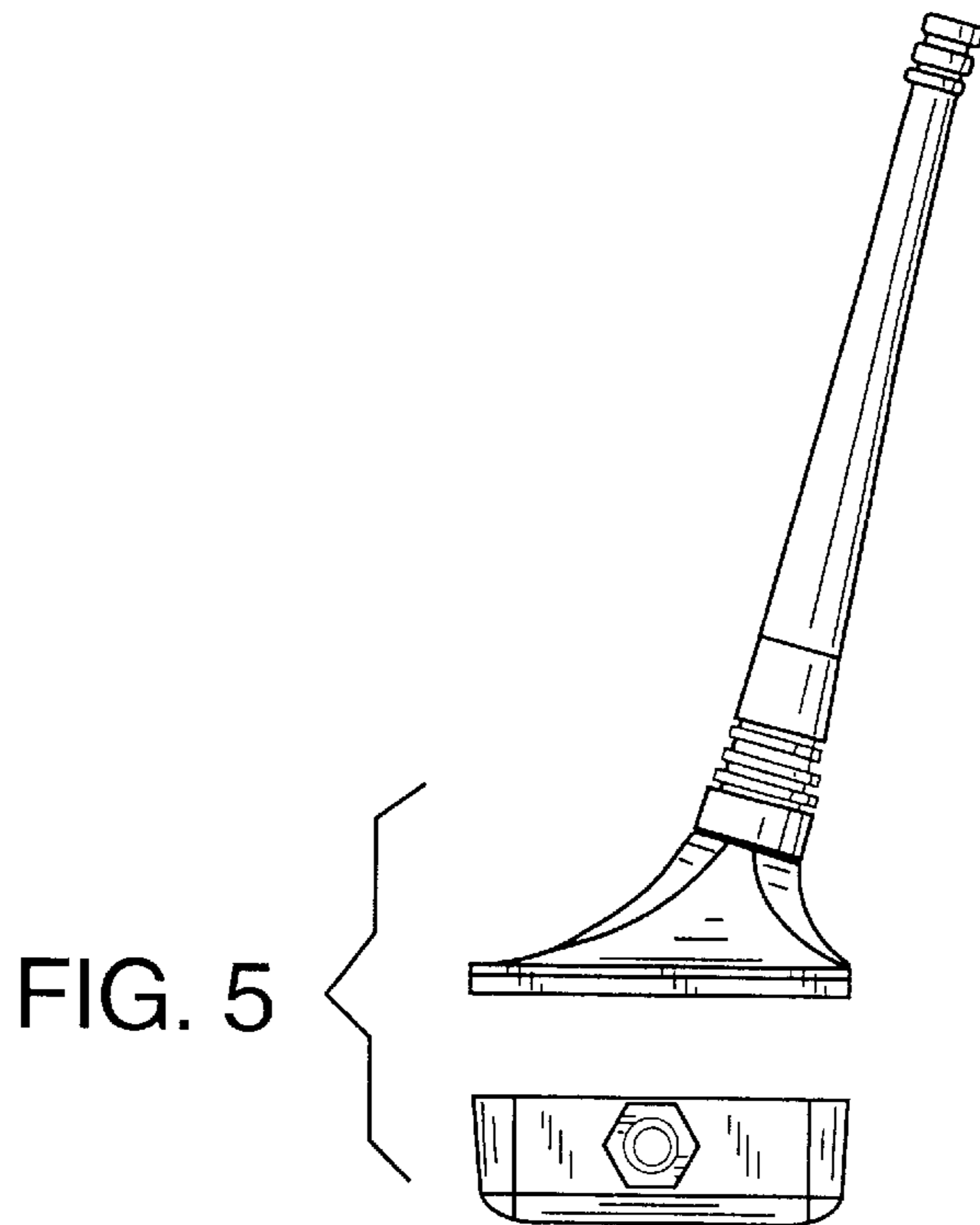


FIG. 6

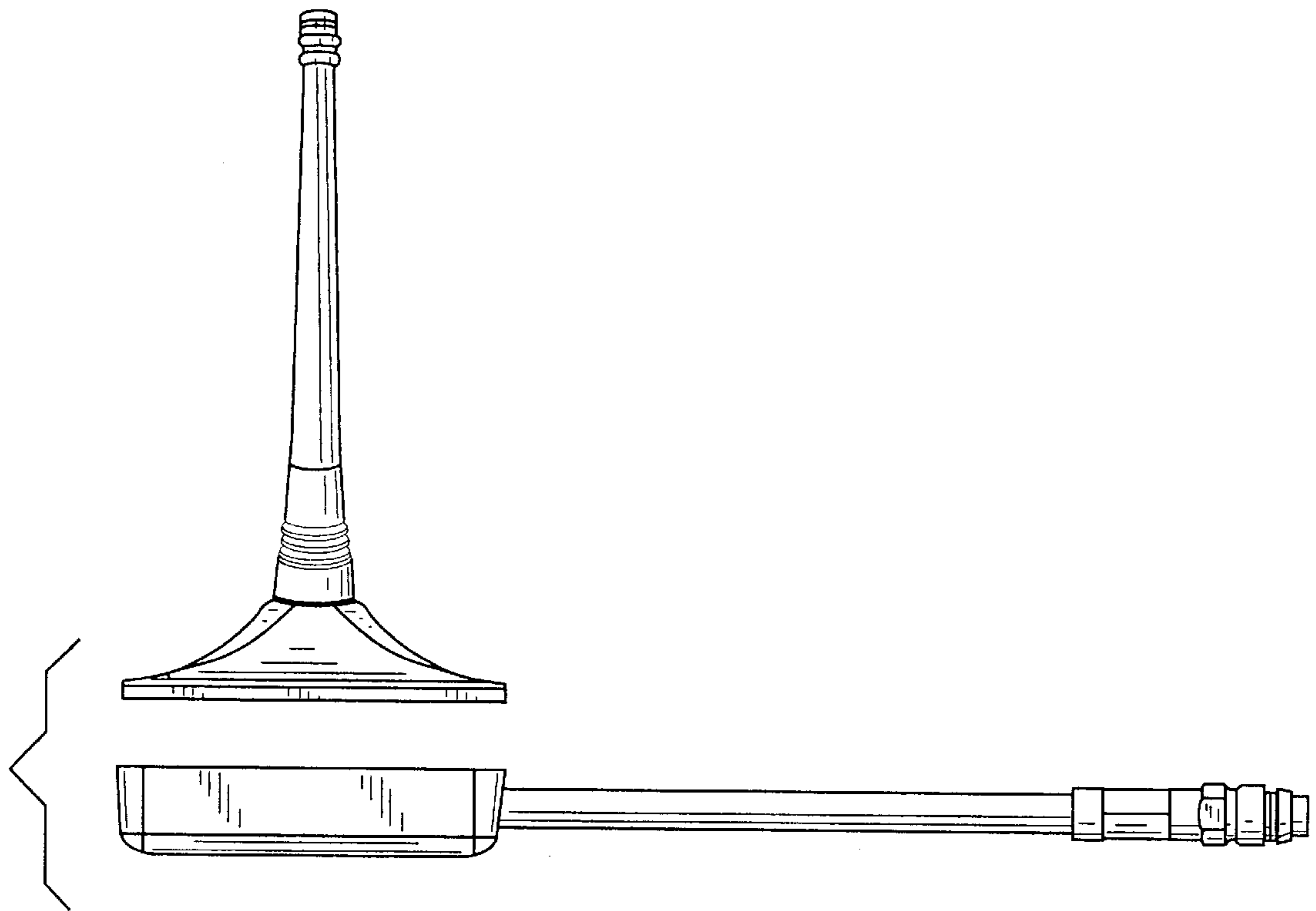


FIG. 7