



US00D472891S

(12) **United States Design Patent**  
**Proni**

(10) **Patent No.:** **US D472,891 S**

(45) **Date of Patent:** **\*\* Apr. 8, 2003**

- (54) **LOUDSPEAKER FRAME**
- (75) Inventor: **Lucio Proni**, Weston, FL (US)
- (73) Assignee: **JL Audio, Inc.**, Miramar, FL (US)
- (\*\*) Term: **14 Years**
- (21) Appl. No.: **29/148,477**
- (22) Filed: **Sep. 13, 2001**
- (51) **LOC (7) Cl.** ..... **14-01**
- (52) **U.S. Cl.** ..... **D14/224**
- (58) **Field of Search** ..... D14/204, 207–216,  
D14/221–222, 224; 181/144–145, 147–148,  
150, 153, 157, 198–199; 381/300–302,  
307, 359, 361–364, 386

|             |           |          |       |         |
|-------------|-----------|----------|-------|---------|
| 5,430,804 A | 7/1995    | Wijnker  | ..... | 381/194 |
| 5,566,242 A | * 10/1996 | Hall     | ..... | 181/148 |
| 5,625,701 A | 4/1997    | Scanlan  | ..... | 381/197 |
| D432,118 S  | * 10/2000 | Honnert  | ..... | D14/221 |
| D448,017 S  | * 9/2001  | Hasbrook | ..... | D14/216 |

\* cited by examiner

*Primary Examiner*—Nanda Bondade

(74) *Attorney, Agent, or Firm*—Holland & Knight LLP

(57) **CLAIM**

The ornamental design for a loudspeaker frame, as shown and described.

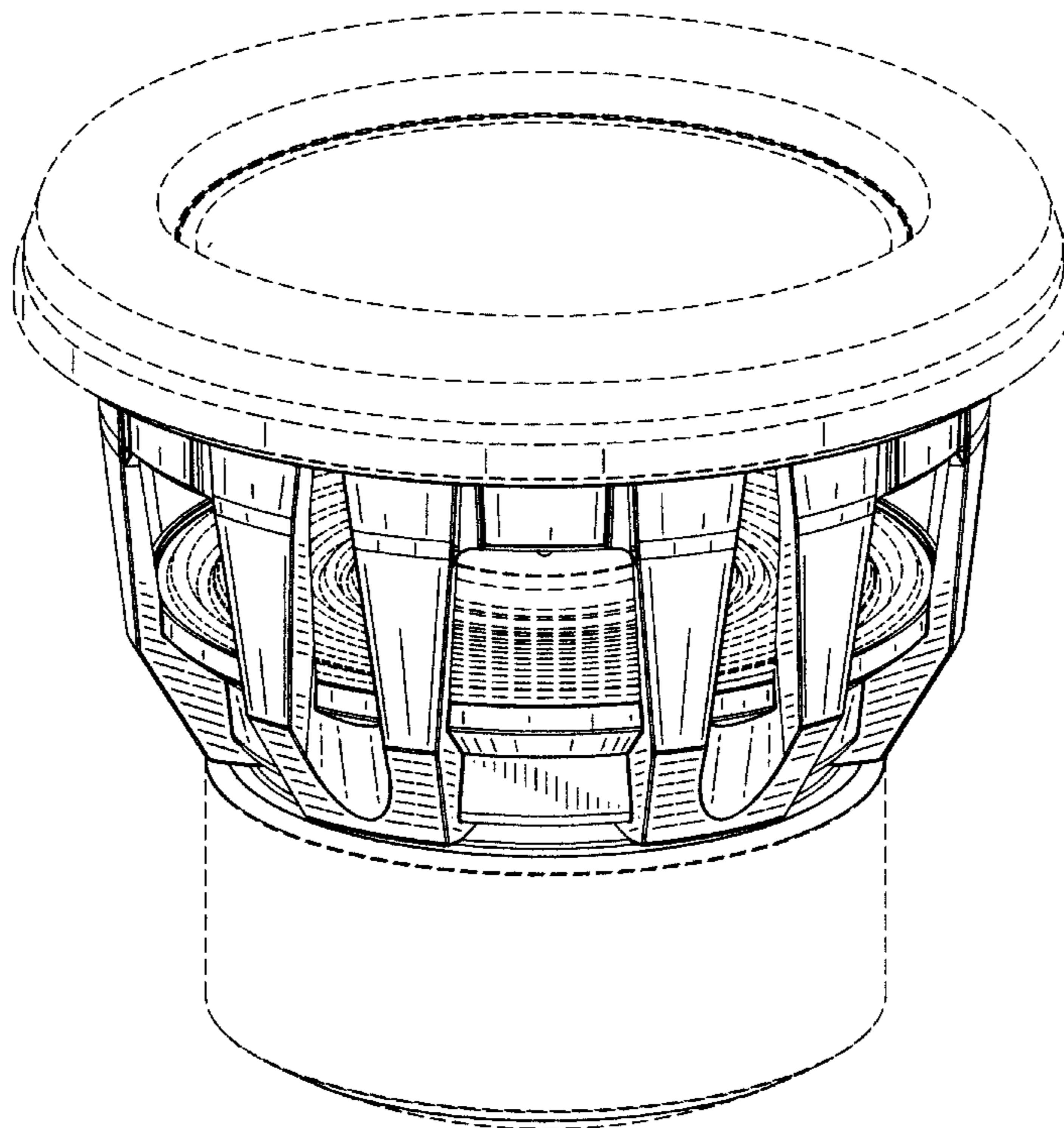
**DESCRIPTION**

FIG. 1 is a perspective view of the loudspeaker frame of this invention;  
 FIG. 2 is a right side elevational view of the loudspeaker frame of FIG. 1;  
 FIG. 3 is a left side elevational view of the loudspeaker frame of FIG. 1;  
 FIG. 4 is a front elevational view of the loudspeaker frame of FIG. 1;  
 FIG. 5 is a rear elevational view of the loudspeaker frame of FIG. 1; and,  
 FIG. 6 is a bottom plan view of the loudspeaker frame of FIG. 1.

The structure shown in phantom or broken lines in FIGS. 1–6 forms no part of the claimed design and is included only to illustrate an environment.

- (56) **References Cited**
- U.S. PATENT DOCUMENTS**
- 2,699,472 A 1/1955 Olson et al. .... 179/115.5
- 3,230,319 A 1/1966 Kliewer ..... 179/115.5
- 3,358,088 A 12/1967 Gault ..... 179/115.5
- 3,930,129 A 12/1975 Cohen et al. .... 179/115.5 R
- 4,061,890 A 12/1977 Froeschle ..... 179/115.5 VC
- 4,158,756 A 6/1979 Keezer ..... 179/115.5 R
- 4,327,257 A 4/1982 Schwartz ..... 179/115.5 R
- 4,427,846 A 1/1984 Millward ..... 179/115.5 VC
- 4,577,069 A 3/1986 Keezer ..... 179/119 R
- 4,933,975 A 6/1990 Button ..... 381/192
- 5,323,469 A 6/1994 Scholz ..... 381/204
- 5,357,586 A 10/1994 Nordschow et al. .... 381/199

**1 Claim, 4 Drawing Sheets**



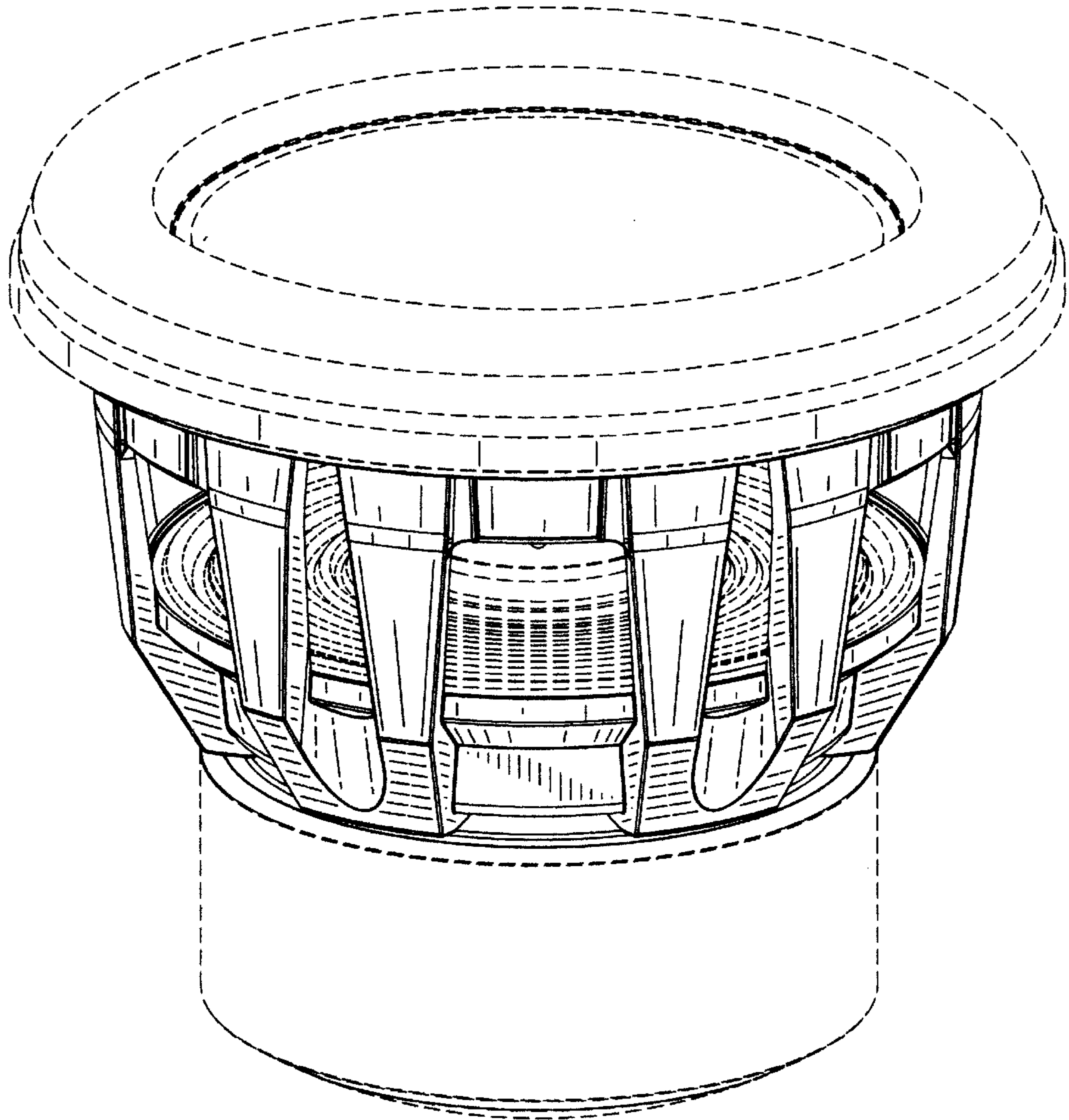


FIG. 1

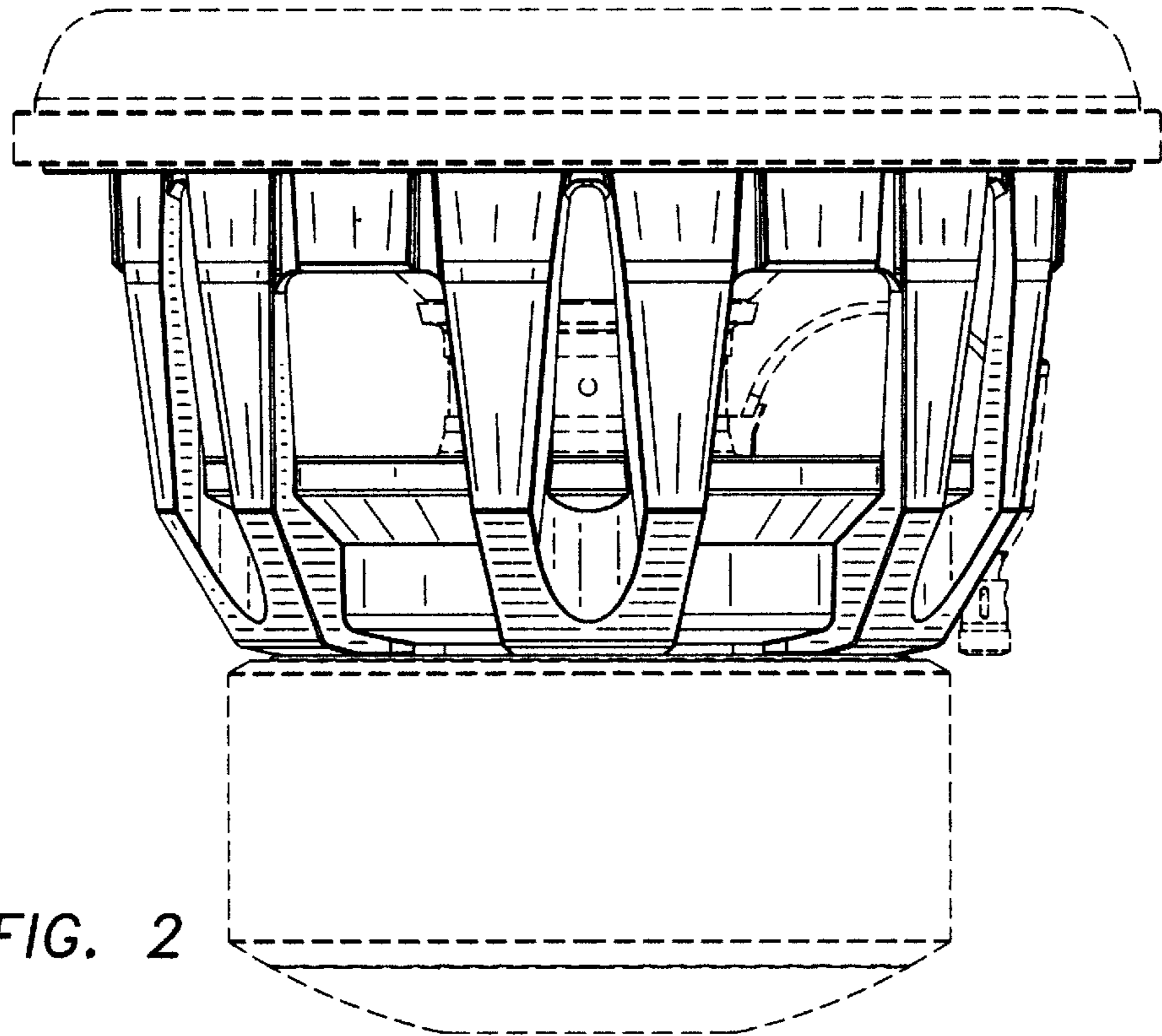


FIG. 2

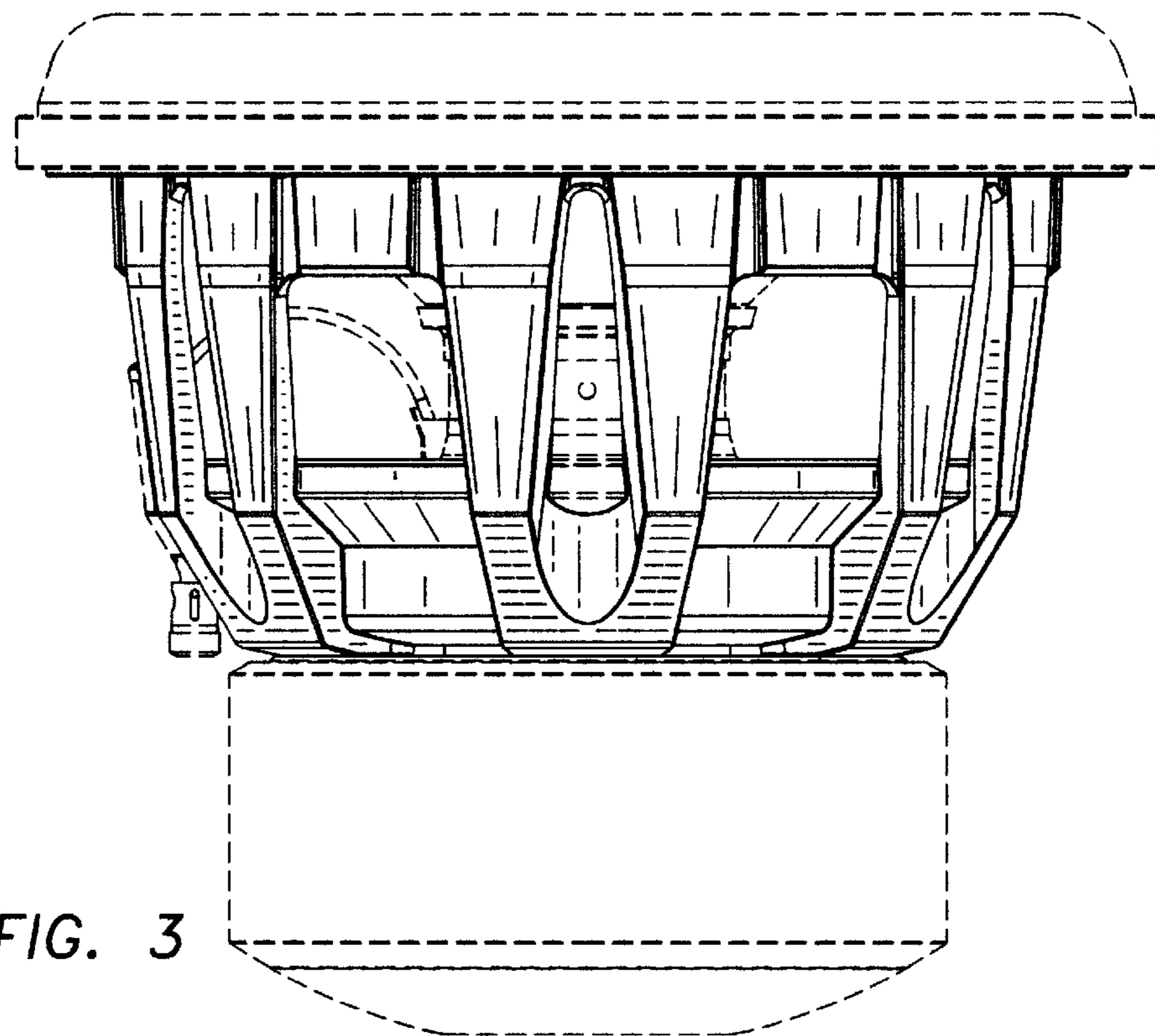


FIG. 3

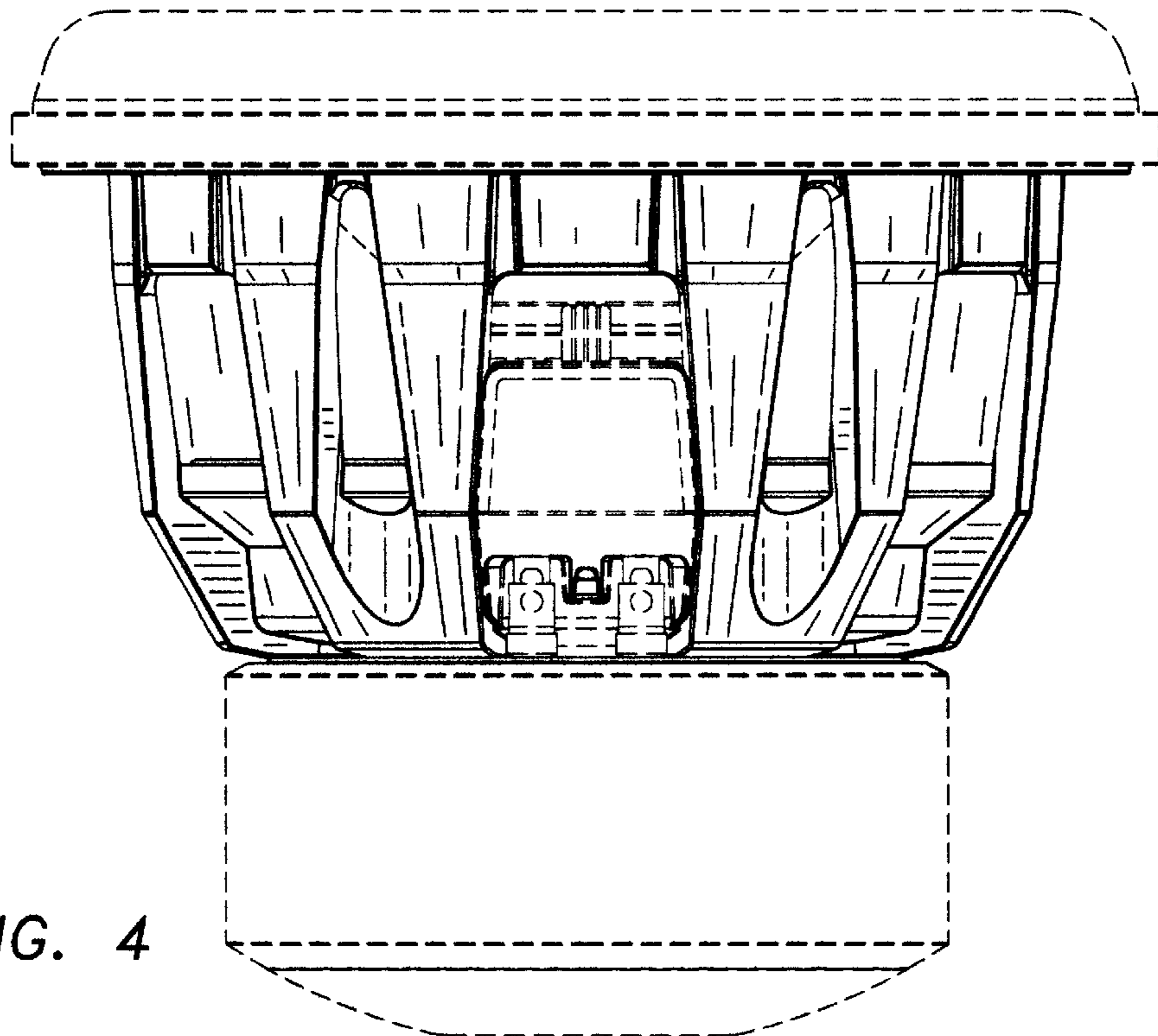


FIG. 4

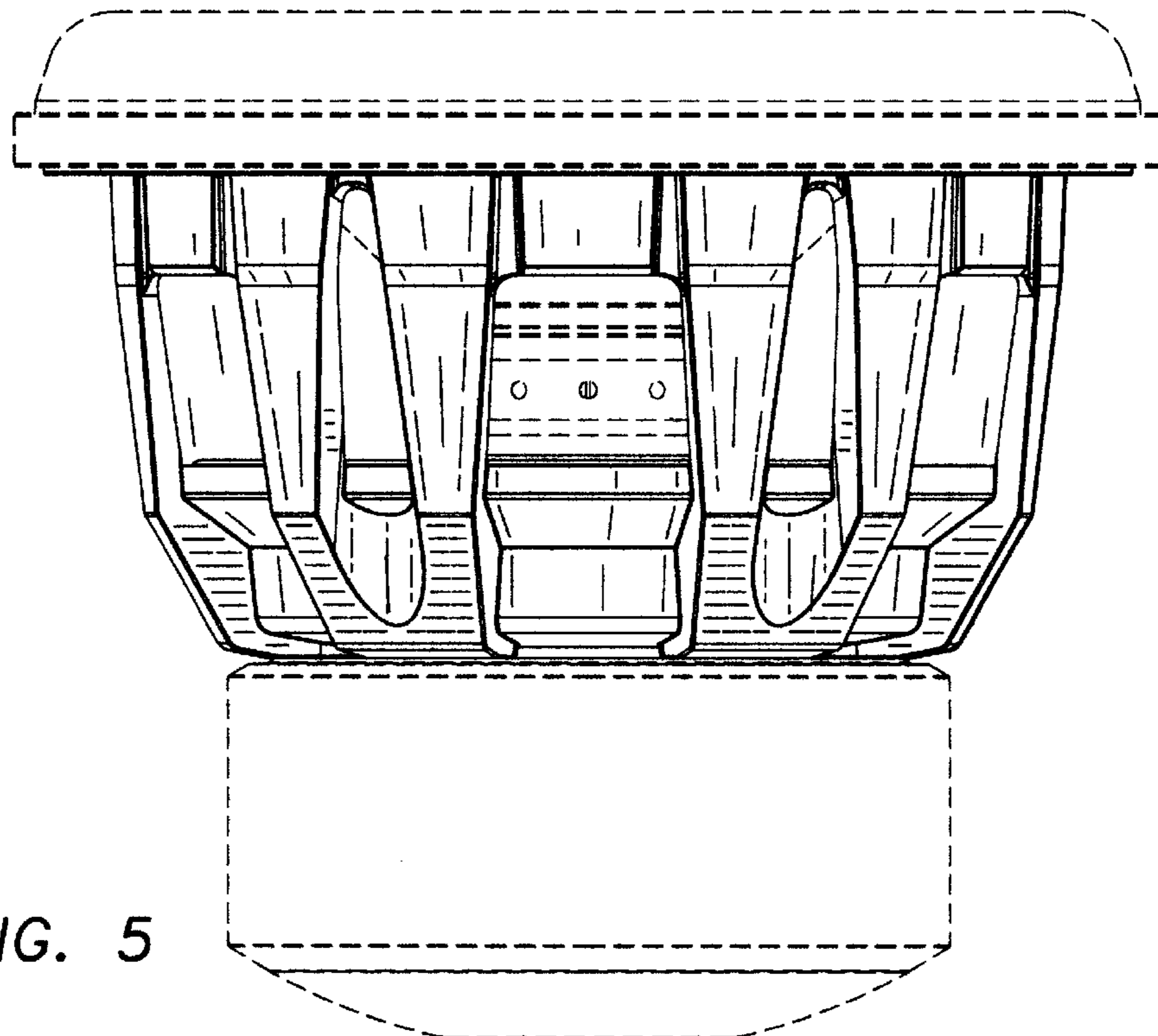


FIG. 5

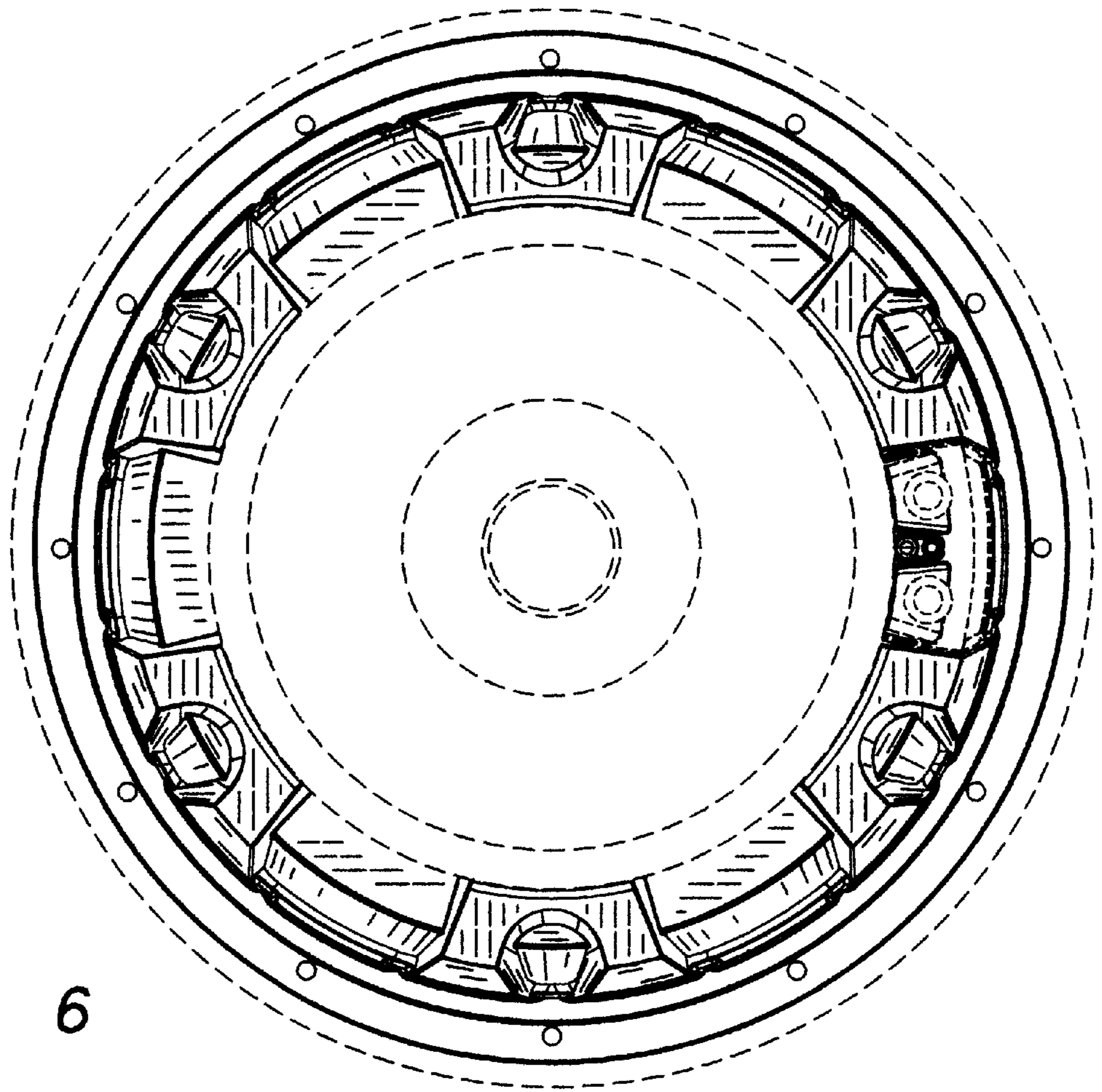


FIG. 6