



US00D472888S

(12) **United States Design Patent**  
**Rath**

(10) **Patent No.:** **US D472,888 S**

(45) **Date of Patent:** **\*\* Apr. 8, 2003**

(54) **EARHOOK FOR A HEADSET**

(75) Inventor: **Klaus Rath**, Gentofte (DK)

(73) Assignee: **GN Netcom A/S**, Ballerup (DK)

(\*\*) Term: **14 Years**

(21) Appl. No.: **29/144,794**

(22) Filed: **Jul. 10, 2001**

(30) **Foreign Application Priority Data**

Jan. 12, 2001 (DK) ..... MA 2001 00056

(51) **LOC (7) Cl.** ..... **14-01**

(52) **U.S. Cl.** ..... **D14/205**

(58) **Field of Search** ..... D4/223, 205, 206,  
D4/142; 181/129, 128, 130, 137; 379/430,  
431, 433; 381/375, 376, 377, 378, 381

(56) **References Cited**

**U.S. PATENT DOCUMENTS**

- D272,904 S \* 3/1984 Kawano ..... D14/205
- D293,107 S \* 12/1987 Muller ..... D14/205
- D366,486 S \* 1/1996 Runquist et al. .... D14/206
- D375,313 S \* 11/1996 Jensen et al. .... D14/206

- D385,272 S \* 10/1997 Jensen et al. .... D14/142
- D403,327 S \* 12/1998 Landreth et al. .... D14/223
- D431,235 S \* 9/2000 Lyman et al. .... D14/142
- D451,907 S \* 12/2001 Amae et al. .... D14/223
- D452,857 S \* 1/2002 Hong ..... D14/223

**FOREIGN PATENT DOCUMENTS**

JP MA1086 1987 7/1994

\* cited by examiner

*Primary Examiner*—Paula A. Mortimer

(74) *Attorney, Agent, or Firm*—Altera Law Group, LLC

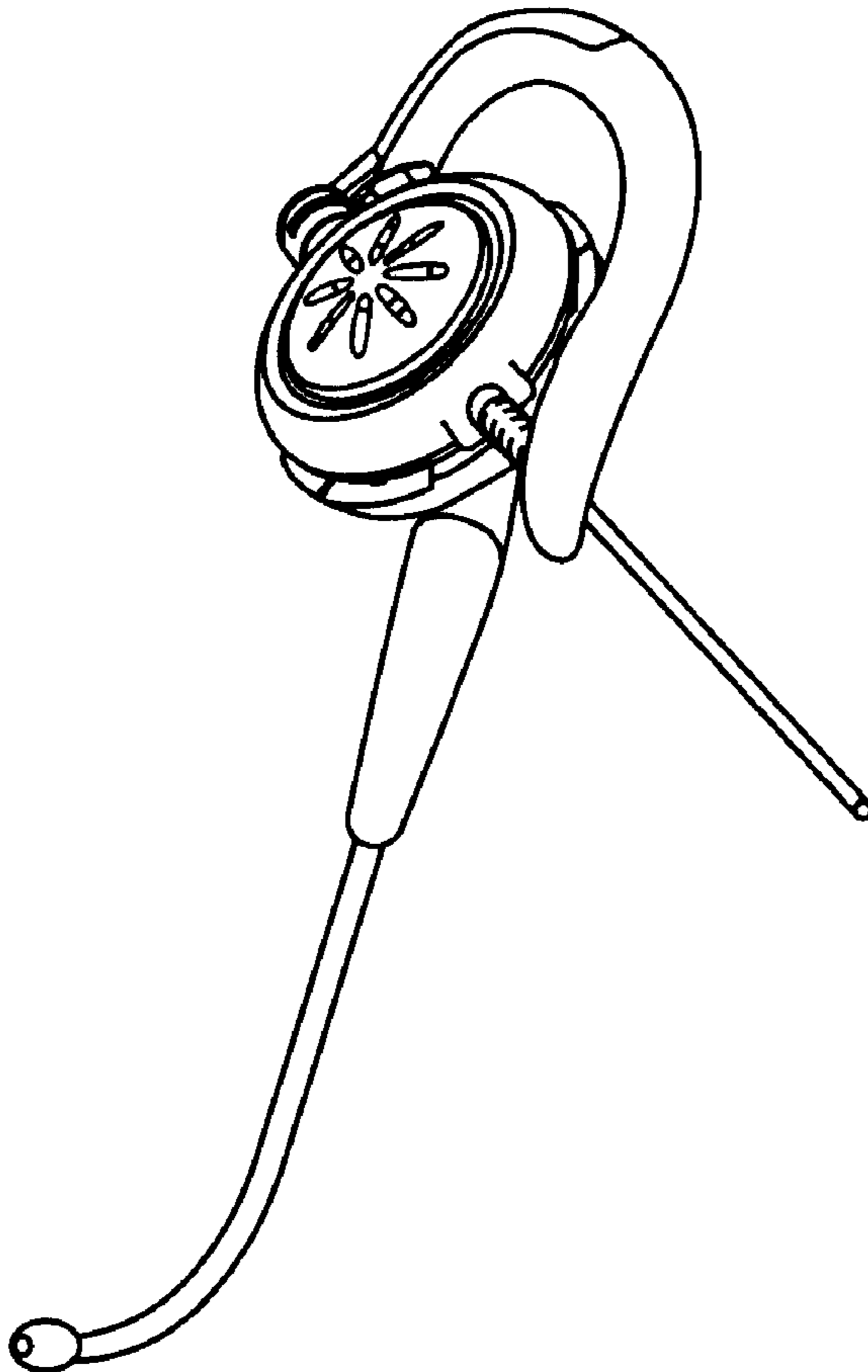
(57) **CLAIM**

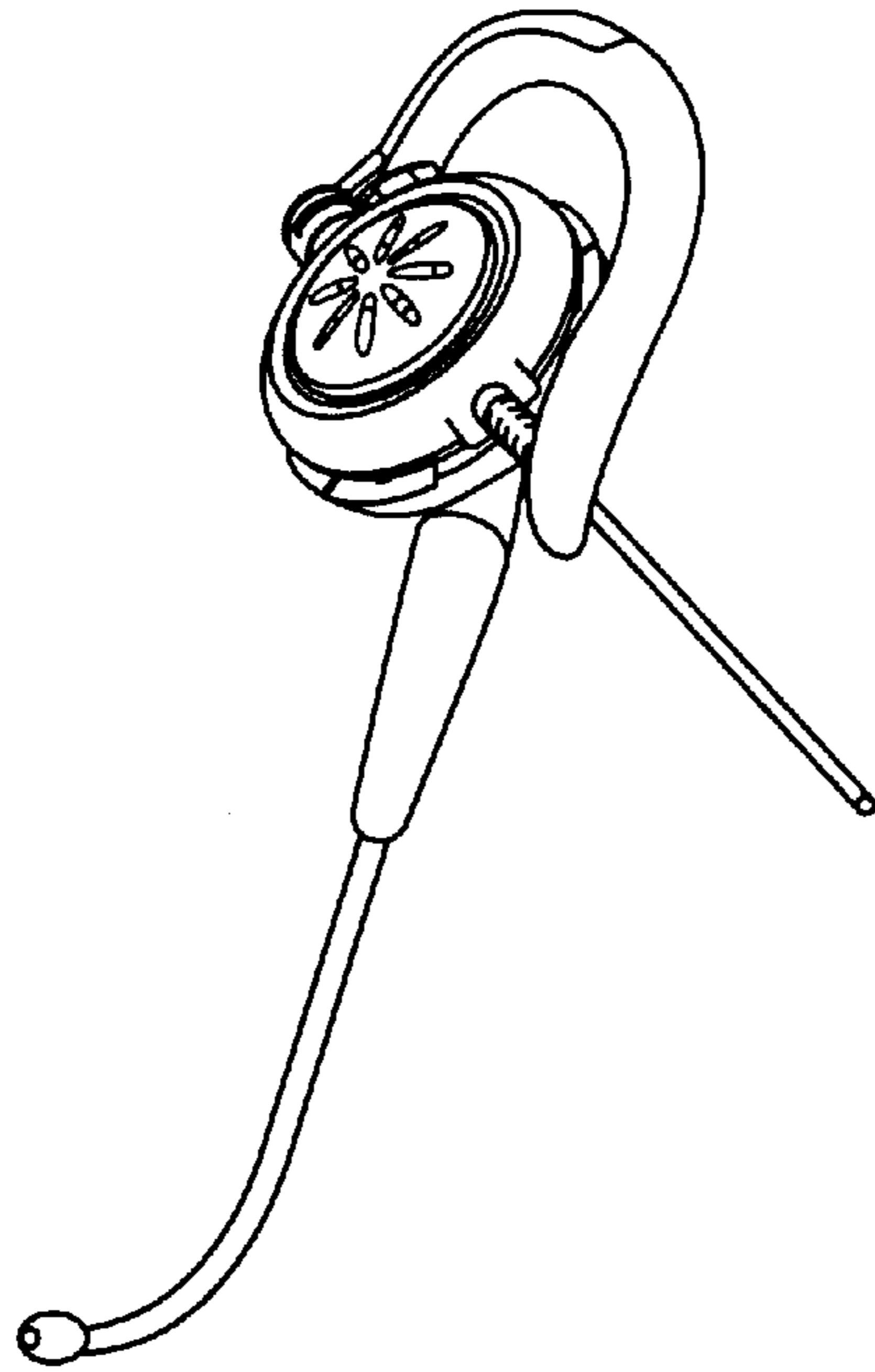
The ornamental design for an earhook for a headset, as shown and described.

**DESCRIPTION**

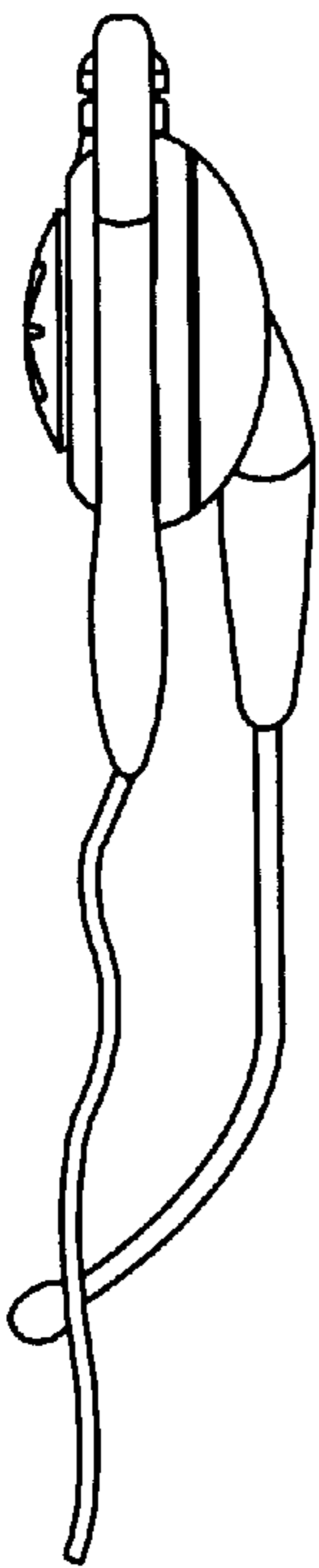
FIG. 1 is a perspective view of an earhook for a headset; FIG. 2 is a back view thereof; FIG. 3 is a left side view thereof; FIG. 4 is a front view thereof; FIG. 5 is a right side view thereof; FIG. 6 is a top view thereof; and, FIG. 7 is a bottom view thereof.

**1 Claim, 2 Drawing Sheets**

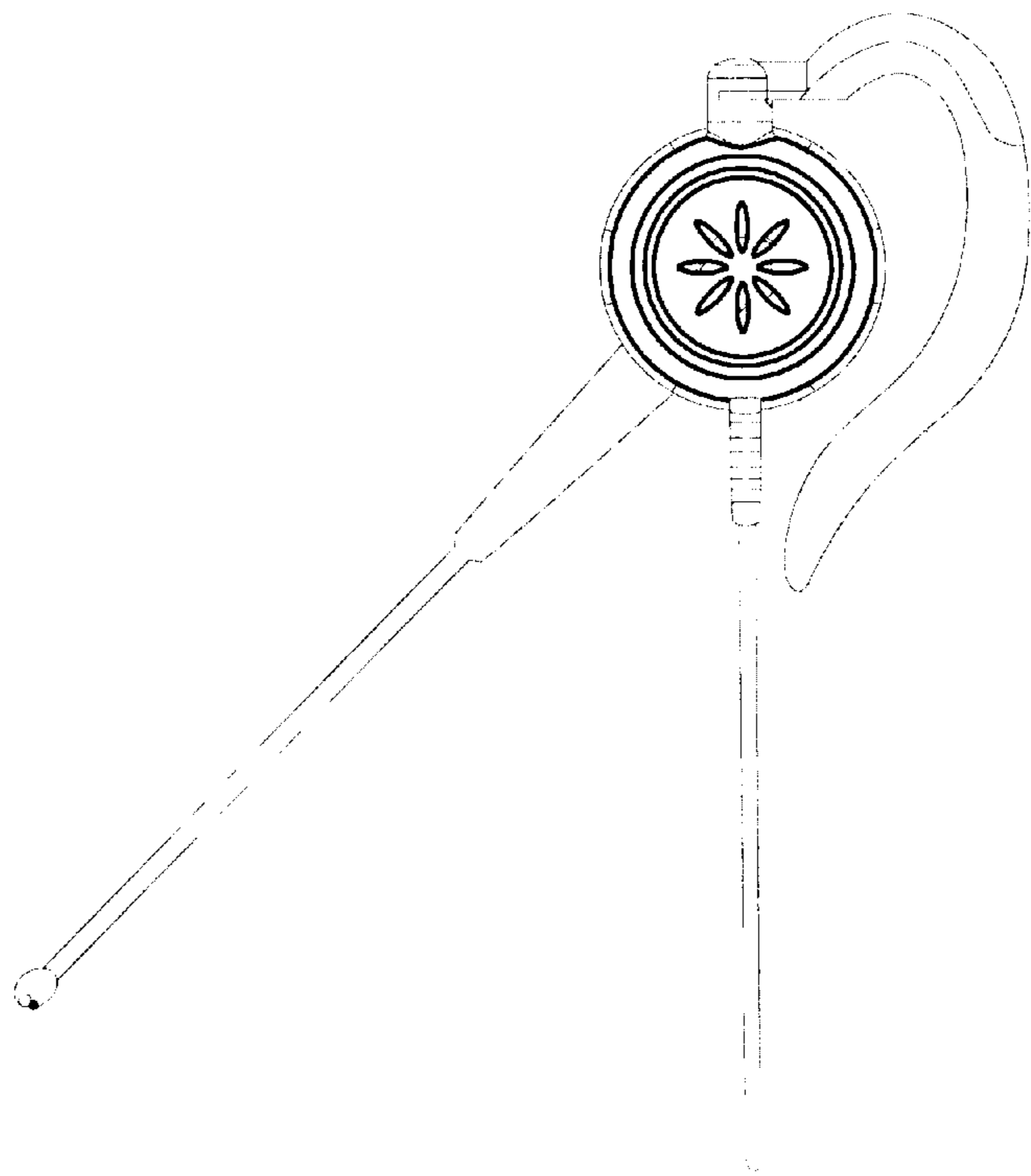




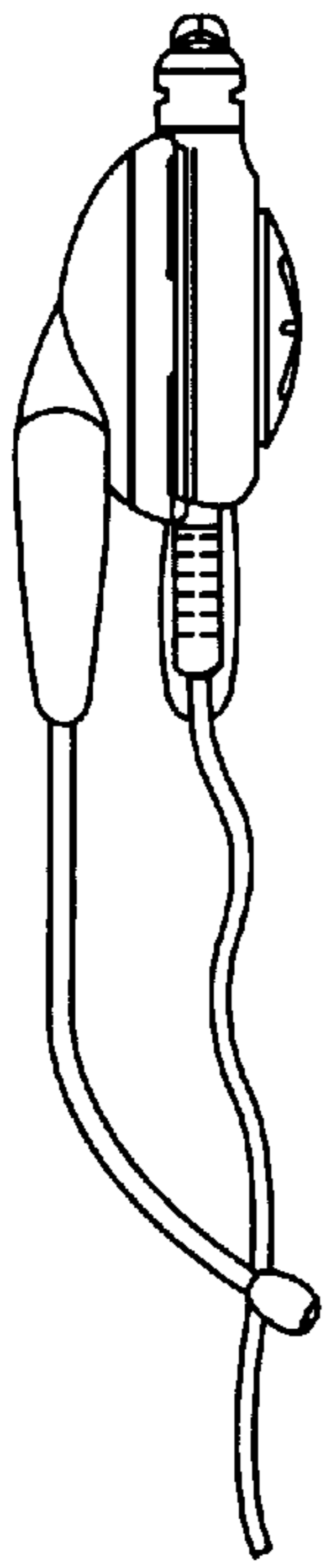
**Fig. 1**



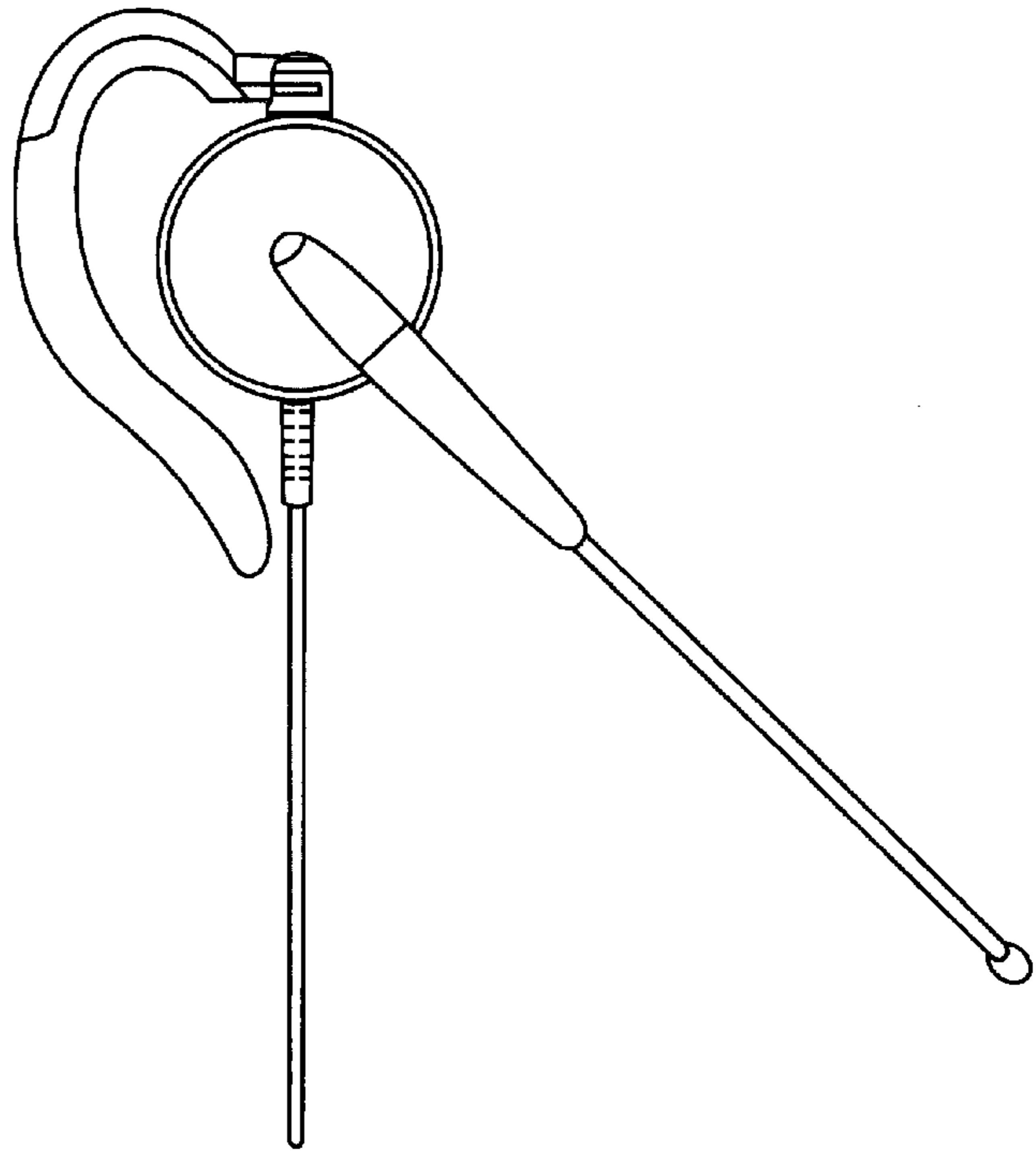
**Fig. 2**



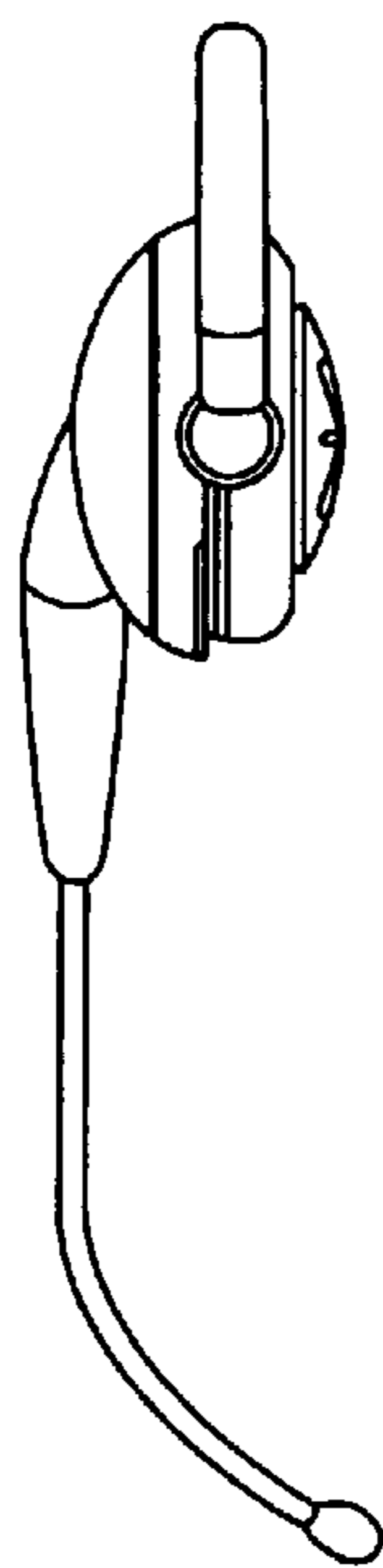
**Fig. 3**



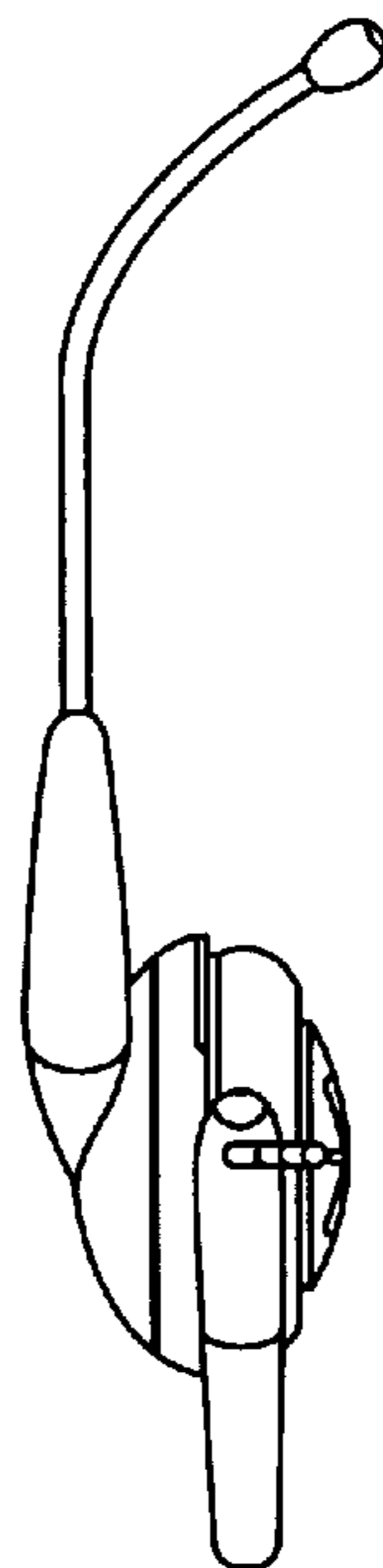
**Fig. 4**



**Fig. 5**



**Fig. 6**



**Fig. 7**