



US00D472887S

(12) **United States Design Patent**
Right et al.

(10) **Patent No.:** **US D472,887 S**

(45) **Date of Patent:** **** Apr. 8, 2003**

(54) **WALL SPEAKER STROBE**

(75) Inventors: **Robert Right**, Holmes Beach, FL (US);
Hilario Costa, Sarasota, FL (US)

(73) Assignee: **Edwards Systems Technology**,
Cheshire, CT (US)

(**) Term: **14 Years**

(21) Appl. No.: **29/152,389**

(22) Filed: **Dec. 21, 2001**

(51) **LOC (7) Cl.** **14-01**

(52) **U.S. Cl.** **D14/172; D14/214**

(58) **Field of Search** D14/204, 207,
D14/209-216; D26/51; 181/144-145, 147-148,
150, 153, 157, 198-199; 381/300-302,
306, 333, 345, 361-364, 386-388; 340/384.1,
391.1, 396.1, 577, 691.5, 693.9

(56) **References Cited**

U.S. PATENT DOCUMENTS

D272,343 S * 1/1984 Matsubara D14/214

D350,136 S * 8/1994 Kim D14/211
6,127,935 A * 10/2000 Davidson et al. 340/691.5
D443,604 S * 6/2001 Levine D14/214

* cited by examiner

Primary Examiner—Nanda Bondade

(74) *Attorney, Agent, or Firm*—Baker & Hostetler LLP

(57) **CLAIM**

The ornamental design for a wall speaker strobe, as shown and described.

DESCRIPTION

FIG. 1 is a perspective view of a wall speaker strobe showing our new design;

FIG. 2 is a front view thereof;

FIG. 3 is a side elevation view thereof; and,

FIG. 4 is a top plan view thereof.

The broken line showing on FIGS. 2 and 3 is for illustrative purposes only and forms no part of the claimed design.

1 Claim, 2 Drawing Sheets

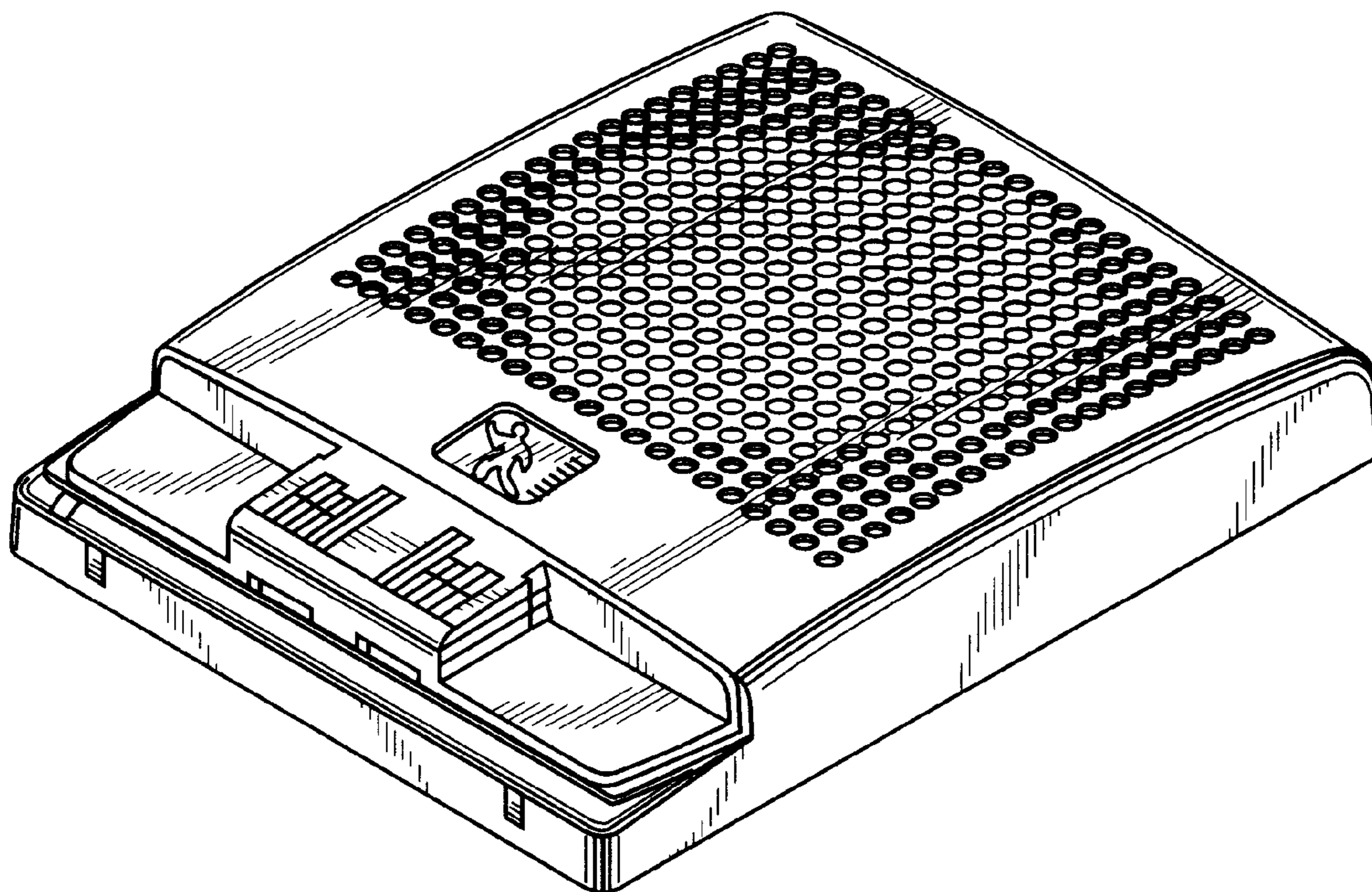


FIG. 1

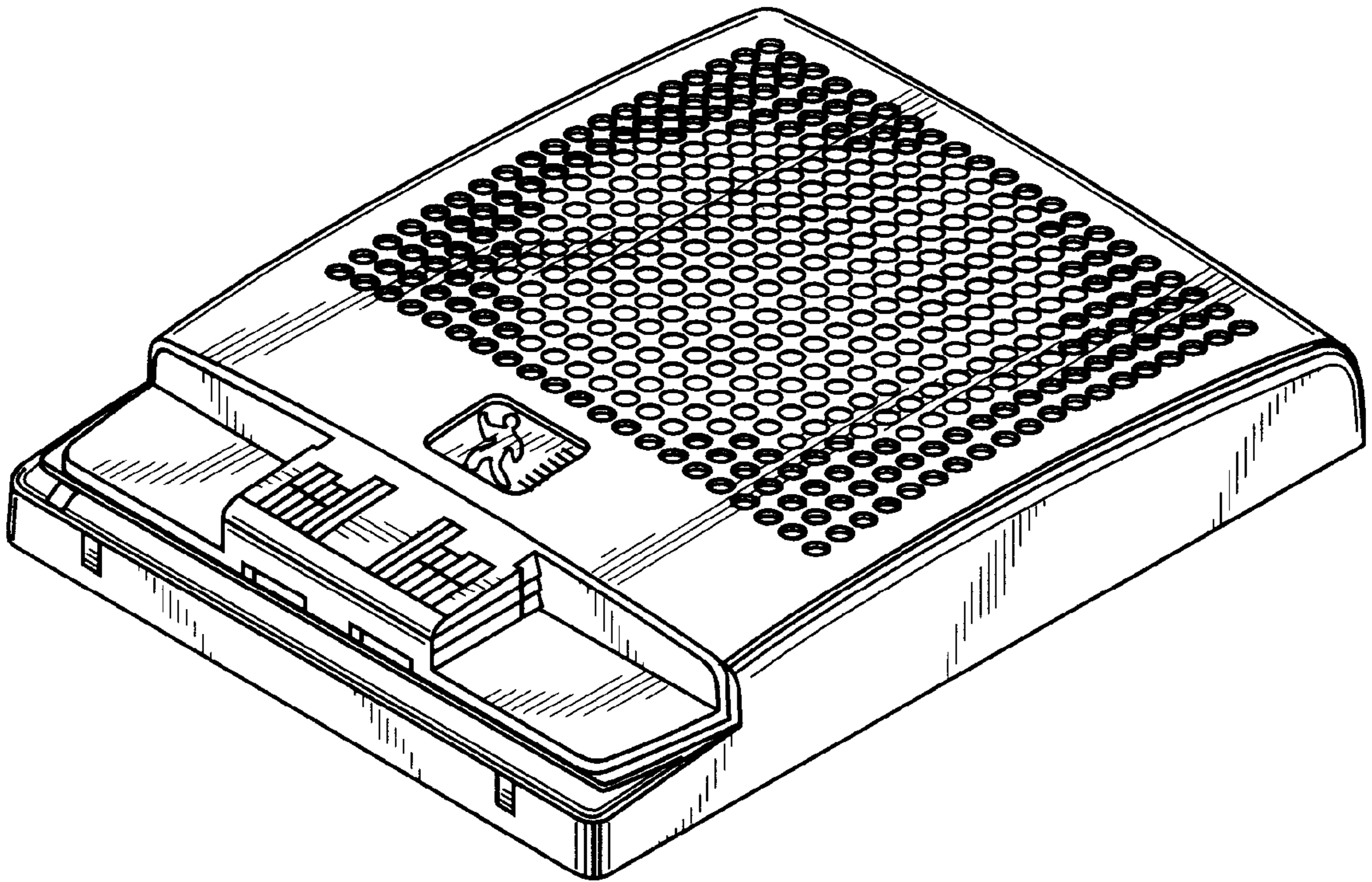


FIG. 2

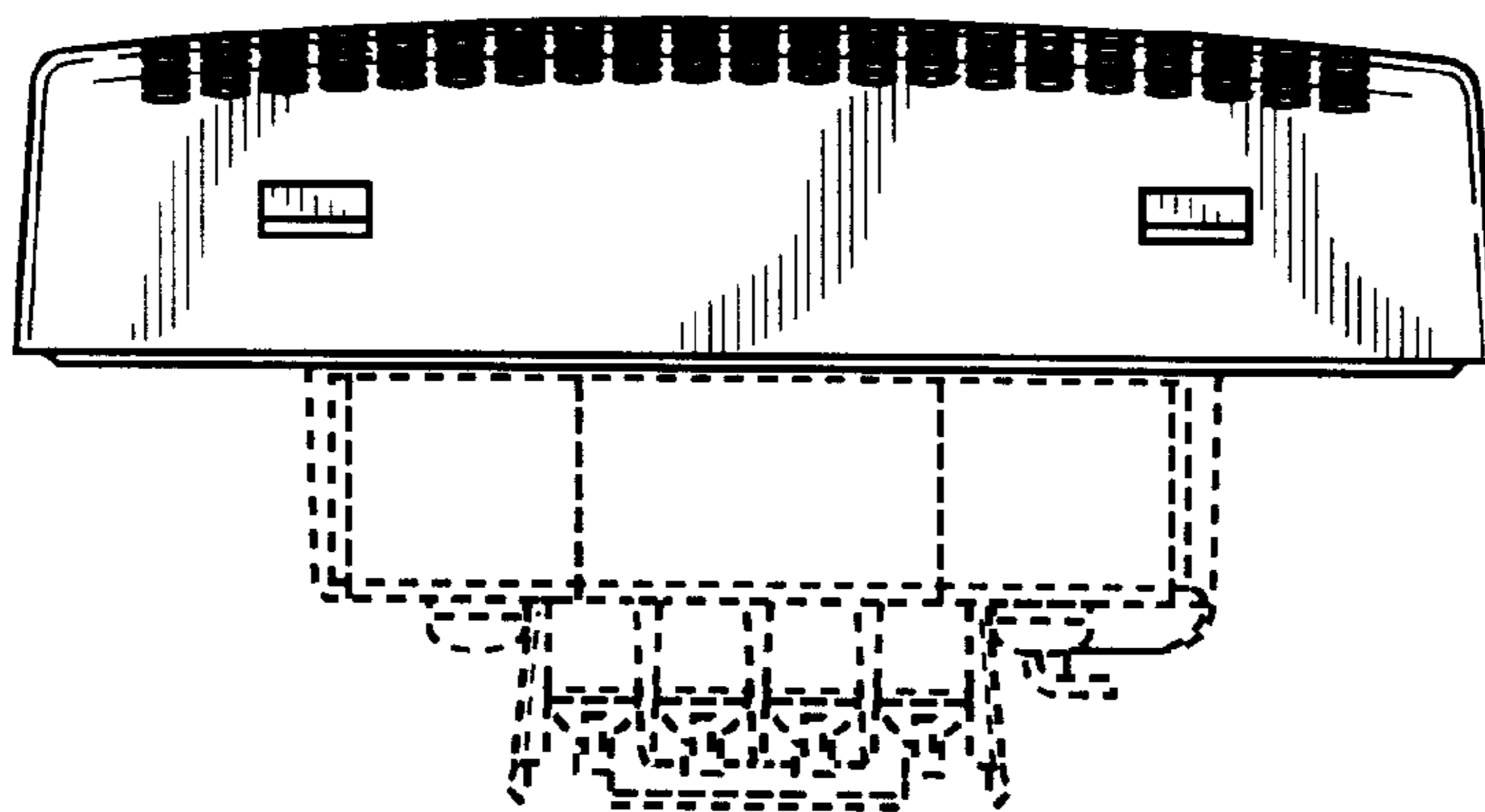


FIG. 3

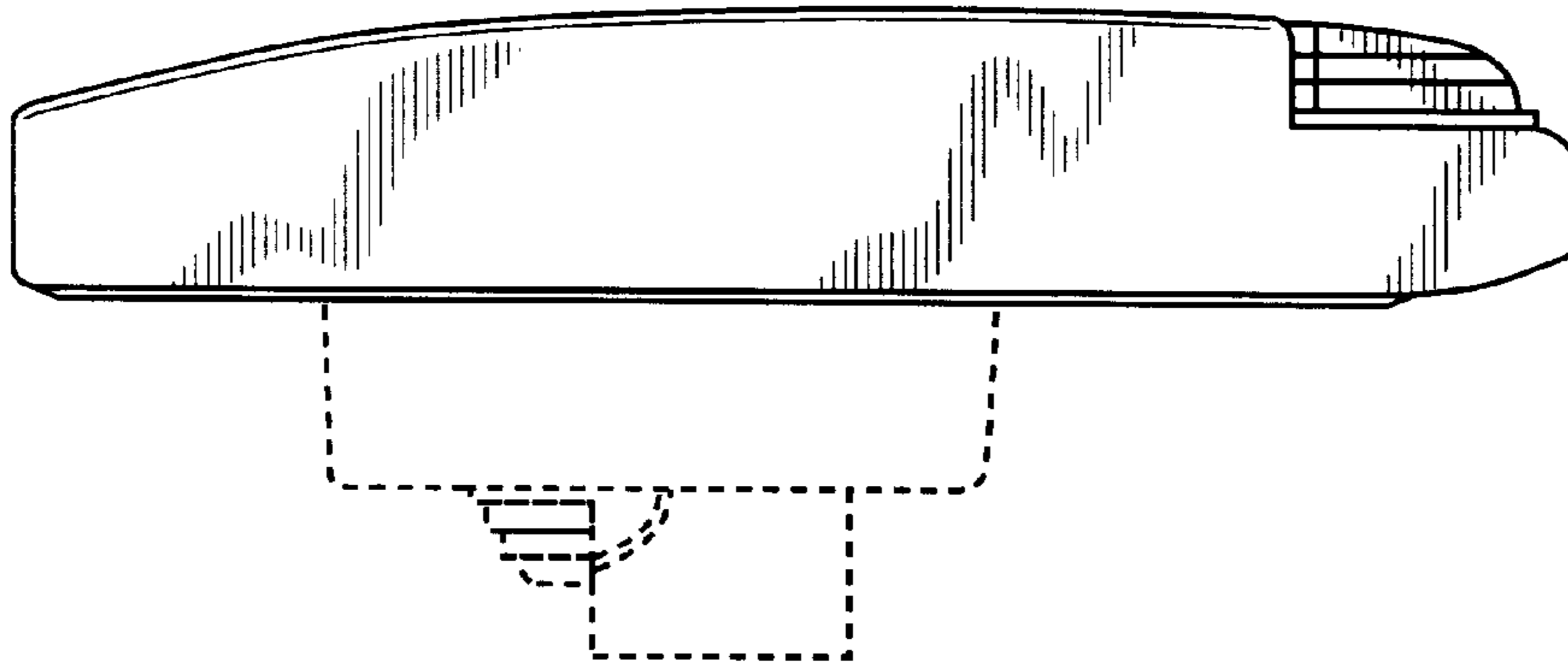


FIG. 4

