



US00D472883S

(12) **United States Design Patent**  
**Harvey**

(10) **Patent No.:** **US D472,883 S**

(45) **Date of Patent:** **\*\* Apr. 8, 2003**

(54) **TERMINAL CONFIGURATION OF A THREE POLE PLUNGER SWITCH**

(75) **Inventor:** **Arthur James Harvey**, Mantua, OH (US)

(73) **Assignee:** **Delta Systems, Inc.**, Streetsboro, OH (US)

(\*\*) **Term:** **14 Years**

(21) **Appl. No.:** **29/147,965**

(22) **Filed:** **Sep. 10, 2001**

(51) **LOC (7) Cl.** ..... **13-03**

(52) **U.S. Cl.** ..... **D13/173; D13/146**

(58) **Field of Search** ..... D13/146, 147, D13/149, 173, 178; 200/532; 439/620, 621, 622, 830

(56) **References Cited**

**U.S. PATENT DOCUMENTS**

4,167,299	A	*	9/1979	Noguchi	.....	439/586
4,453,799	A	*	6/1984	Inoue	.....	439/861
4,795,865	A		1/1989	Howard		
4,812,604	A		3/1989	Howard		
4,839,478	A		6/1989	Howard		
4,924,046	A		5/1990	Howard		
D316,080	S	*	4/1991	Inaba	.....	D13/146
D316,401	S	*	4/1991	Sakai	.....	D13/146
5,145,417	A	*	9/1992	Honkomp et al.	.....	439/685
5,190,148	A		3/1993	Williams		
5,221,816	A		6/1993	Williams		
5,252,791	A		10/1993	Williams		
5,424,502	A		6/1995	Williams		
5,528,007	A		6/1996	Williams et al.		
5,548,888	A		8/1996	Williams		
5,603,638	A	*	2/1997	Brown et al.	.....	439/606
5,613,598	A		3/1997	Pittman et al.		

5,662,213	A		9/1997	Kattler et al.		
5,662,500	A	*	9/1997	Yeah	.....	439/732
5,756,947	A		5/1998	Trimble, Jr. et al.		
5,775,482	A		7/1998	Wolfe et al.		
D419,522	S	*	1/2000	Kamagai	.....	D13/120
6,071,151	A	*	6/2000	Igarashi	.....	439/660
6,207,910	B1		3/2001	Harvey et al.		
D455,124	S	*	4/2002	Miya et al.	.....	D13/147

\* cited by examiner

*Primary Examiner*—Ted Shooman

*Assistant Examiner*—Selina Sikder

(74) *Attorney, Agent, or Firm*—Watts, Hoffmann, Fisher & Heinke Co.

(57) **CLAIM**

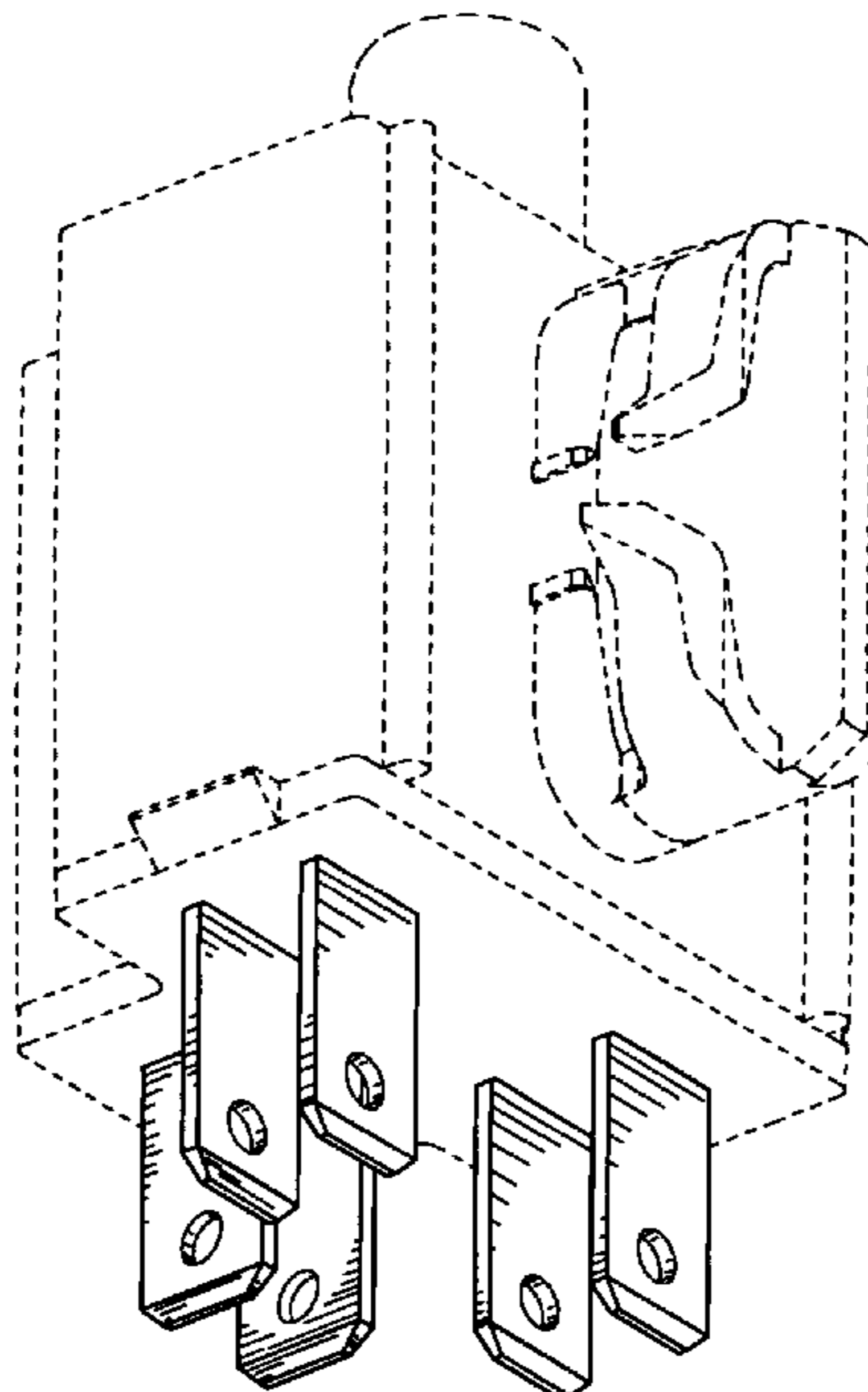
We claim the ornamental design for a terminal configuration of a three pole plunger switch, as shown and described.

**DESCRIPTION**

FIG. 1 is a perspective view of the terminal configuration of a three pole plunger switch of the present invention; FIG. 2 is a bottom plan view of the terminal configuration of a three pole plunger switch of the present invention; FIG. 3 is an top plan view of the terminal configuration of a three pole plunger switch of the present invention; FIG. 4 is a front elevation view of the terminal configuration of a three pole plunger switch of the present invention; FIG. 5 is a left side elevation view of the terminal configuration of a three pole plunger switch of the present invention; and, FIG. 6 is a right side elevation view of the terminal configuration of a three pole plunger switch of the present invention.

The broken line showing of the environment is for illustrative purpose only and forms no part of the claimed design.

**1 Claim, 2 Drawing Sheets**



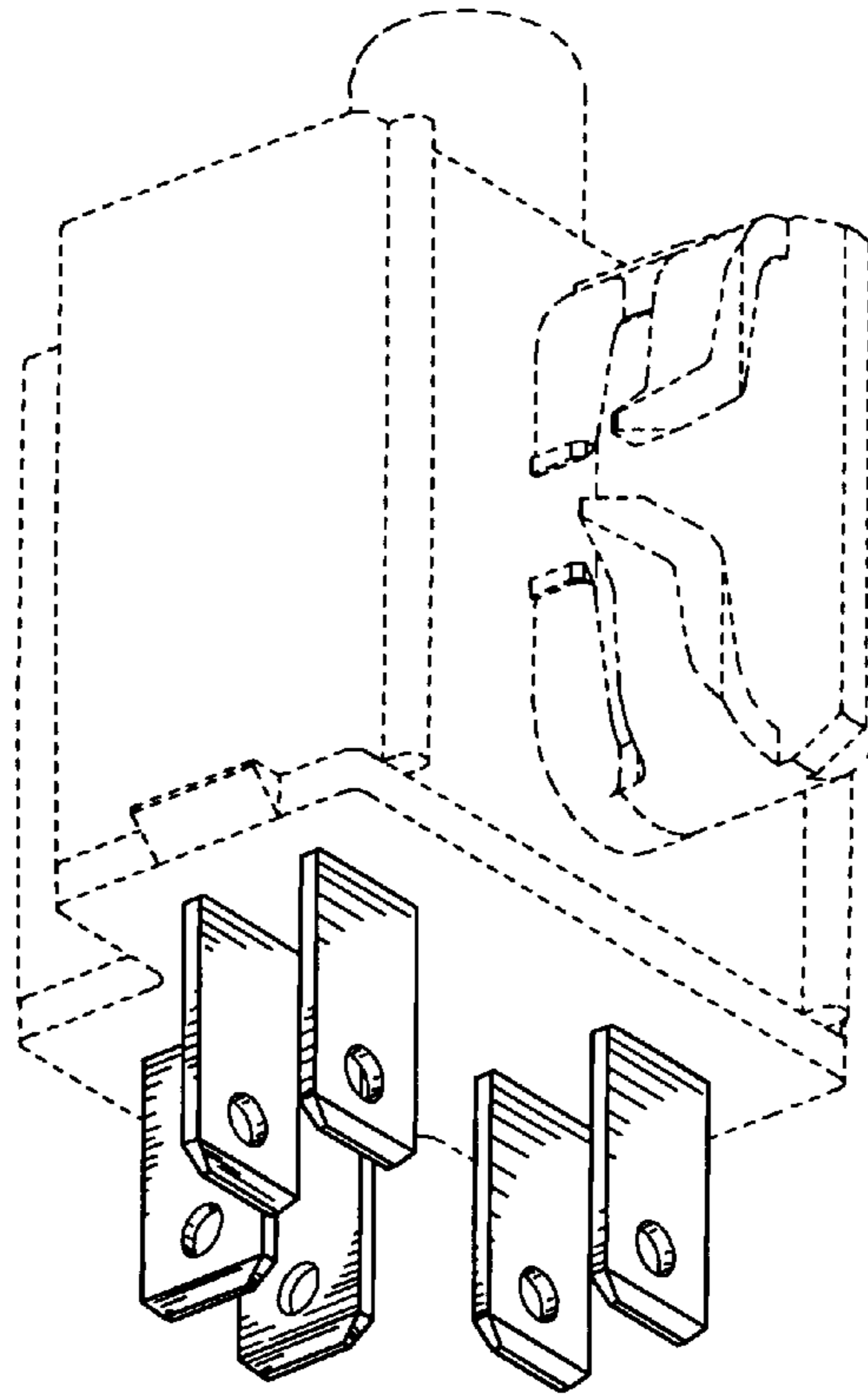


Fig.1

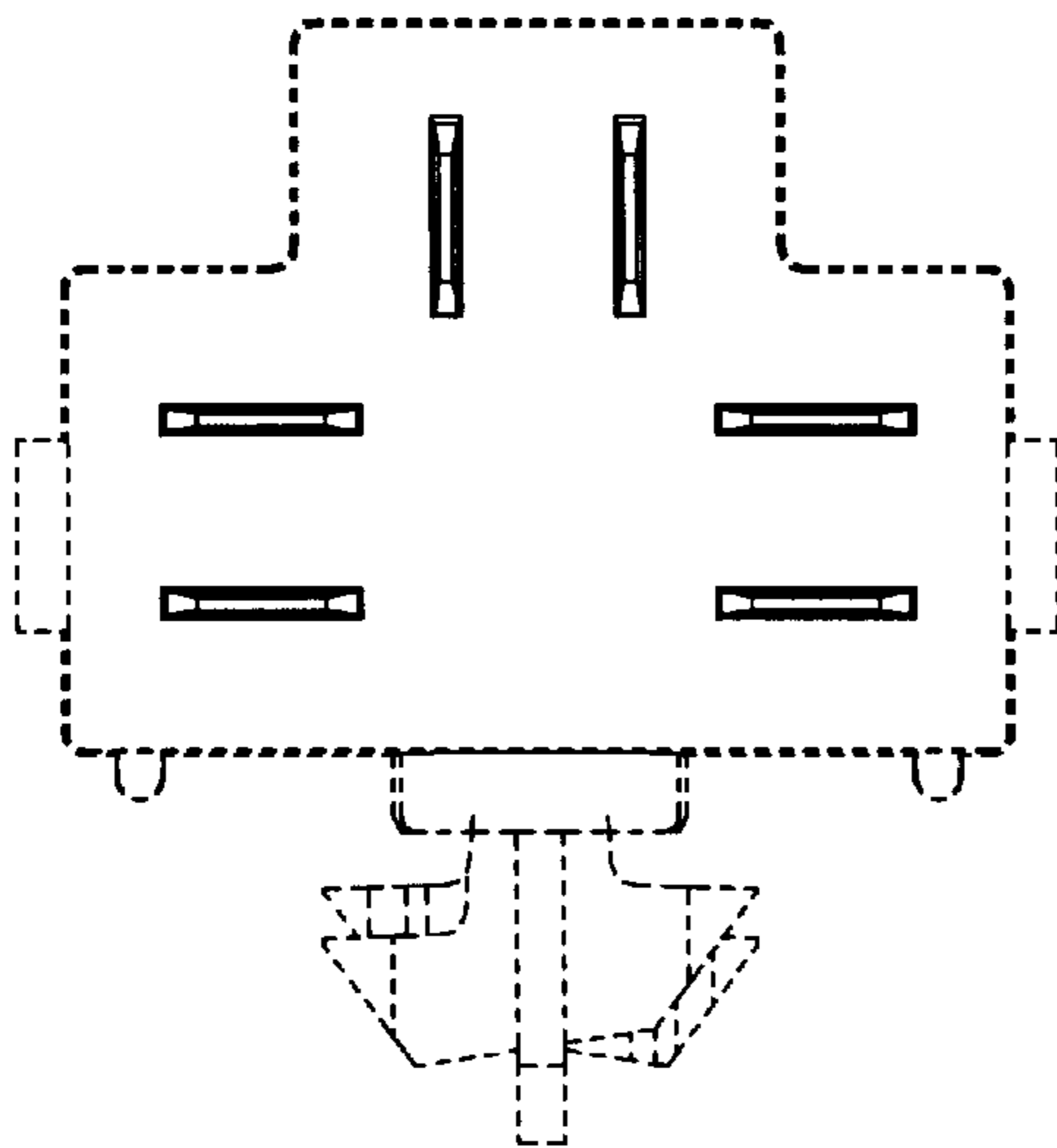


Fig.2

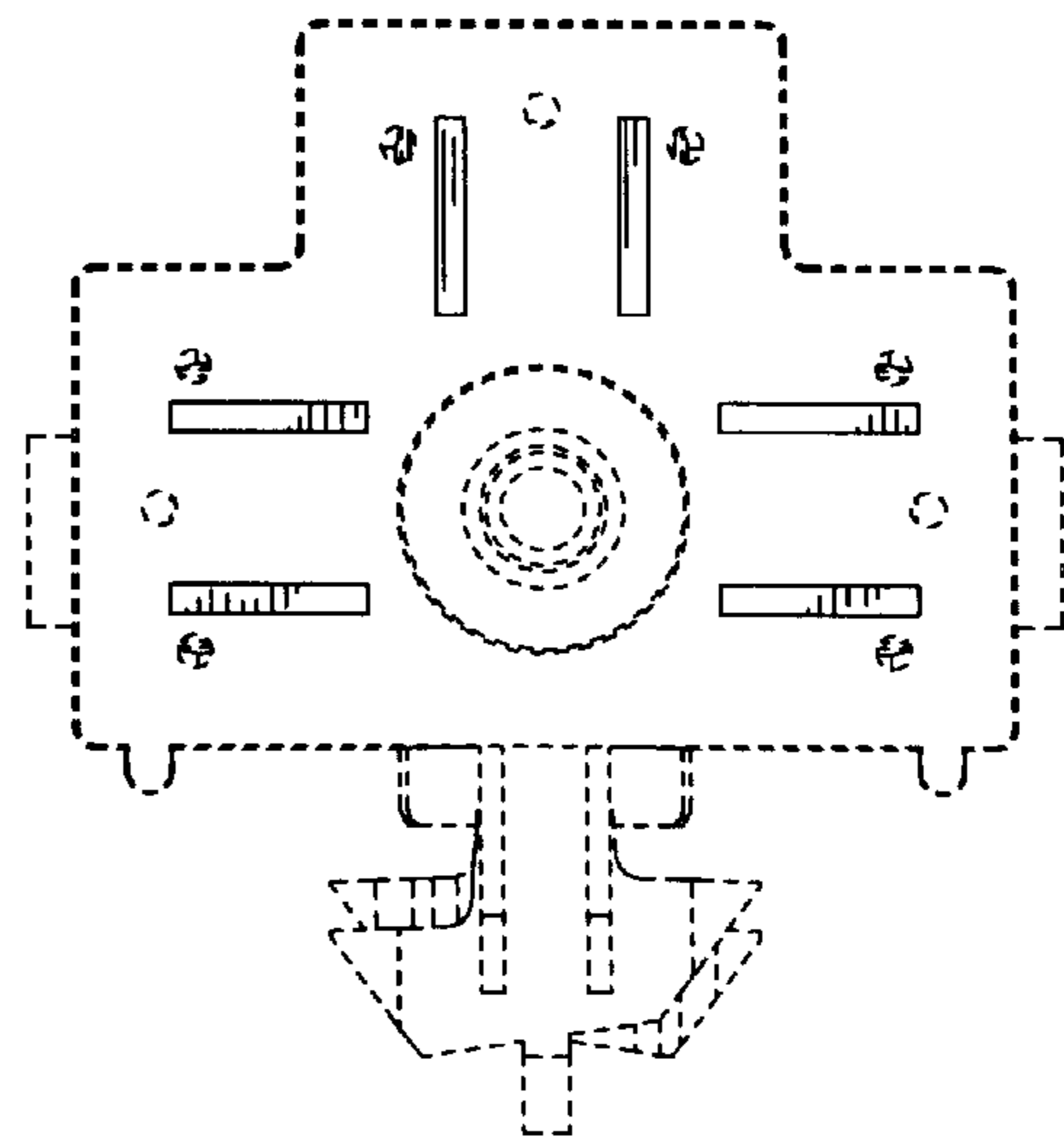


Fig.3

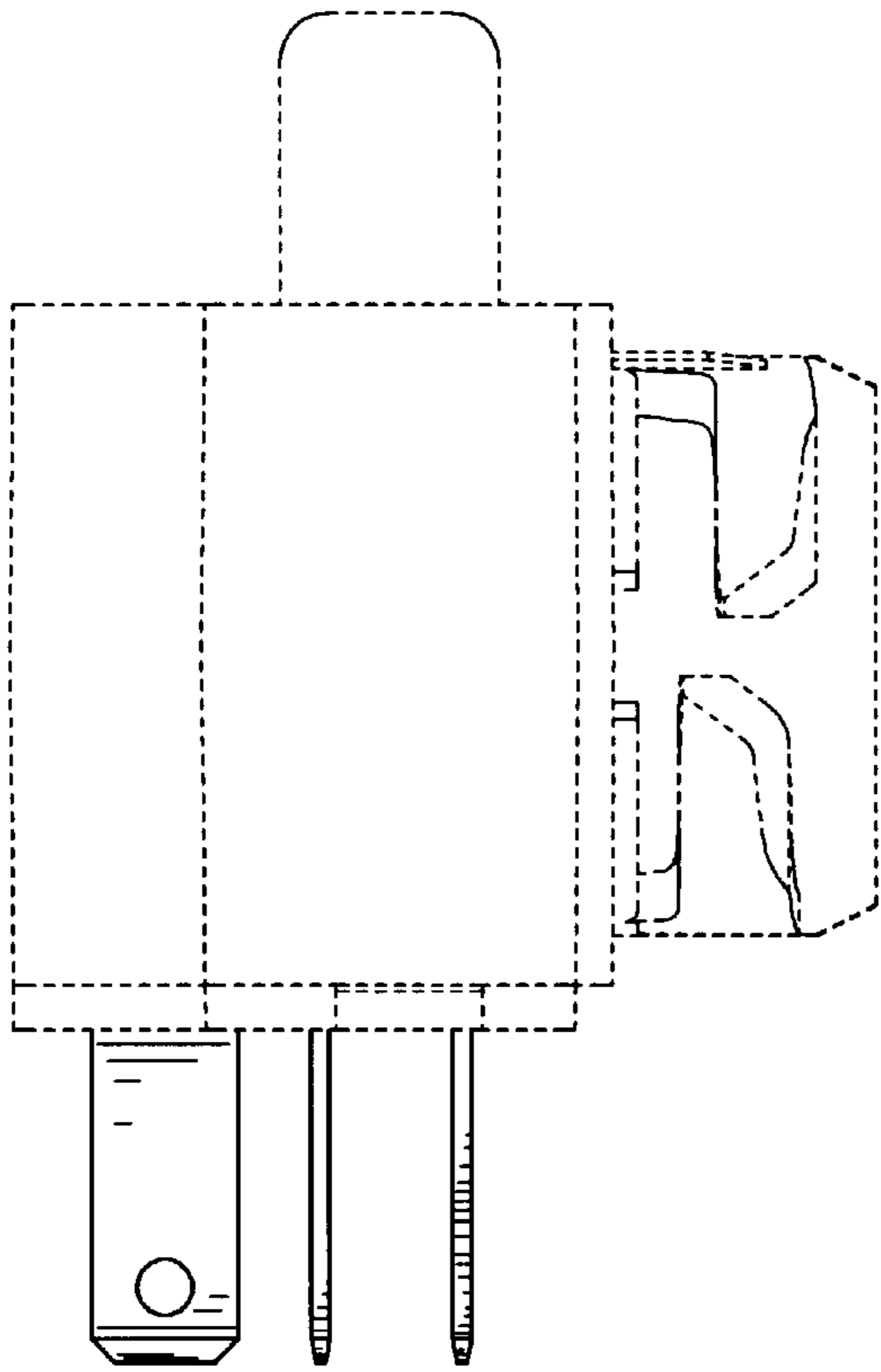


Fig.4

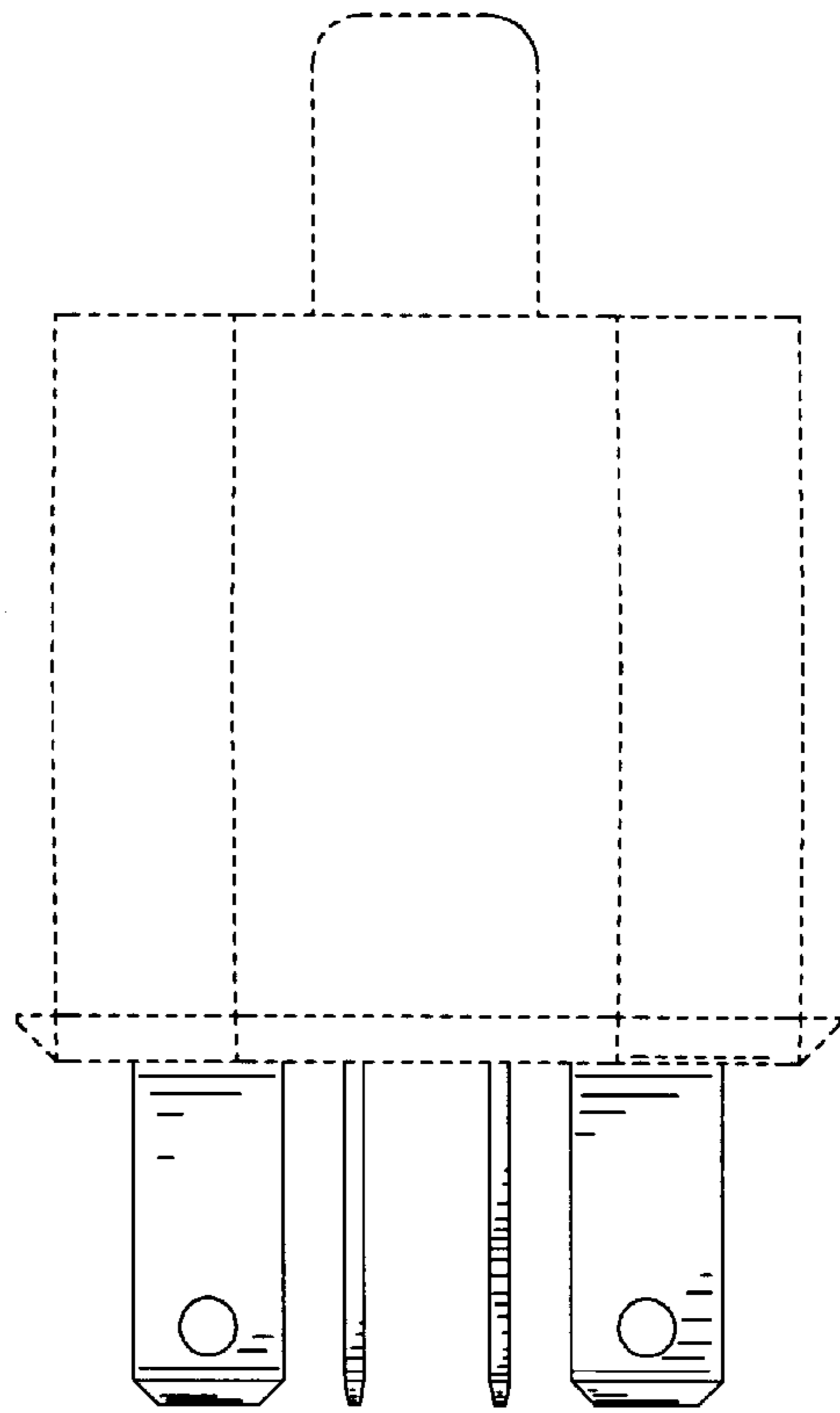


Fig.5

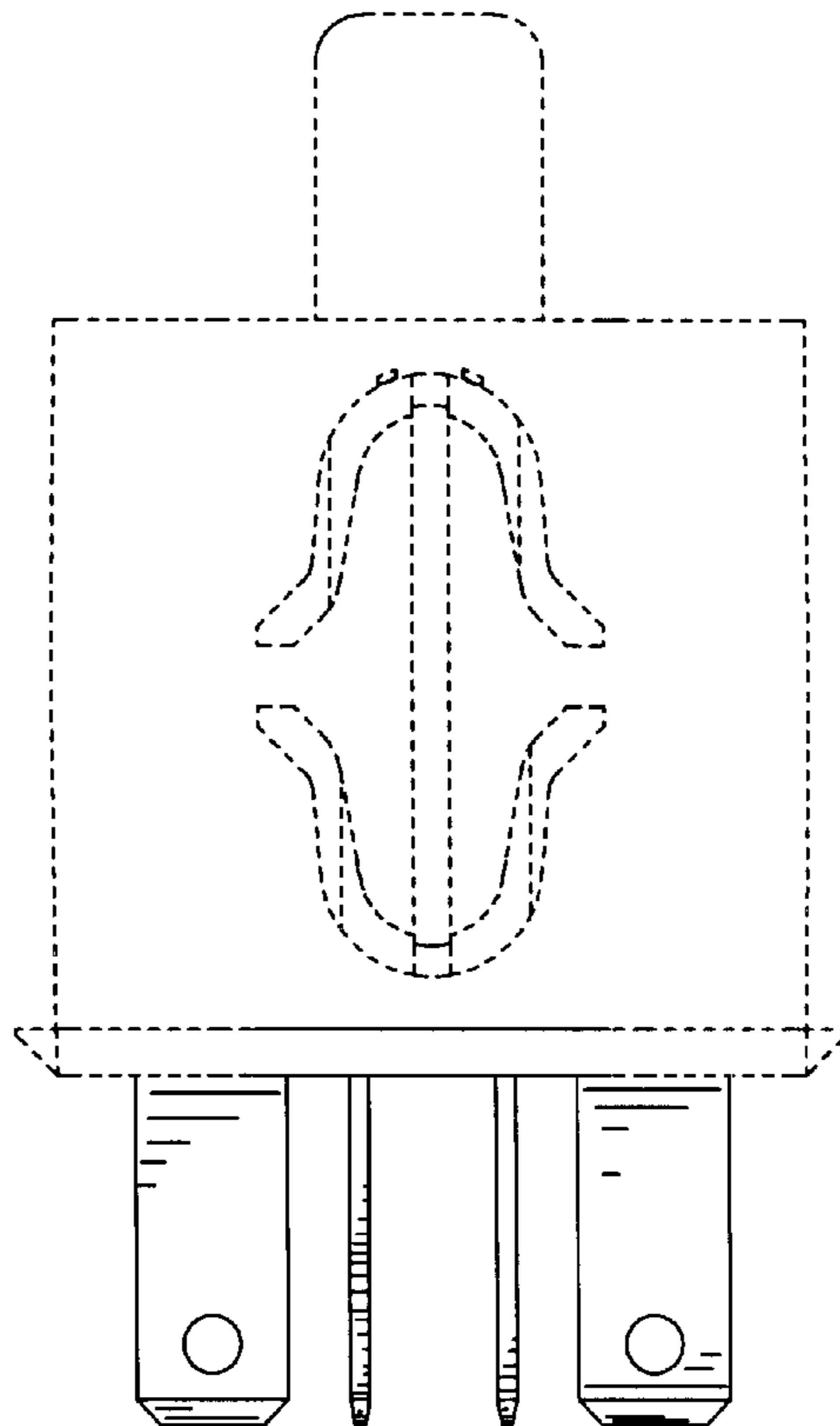


Fig.6