



US00D472882S

(12) **United States Design Patent**
Moye et al.

(10) **Patent No.:** **US D472,882 S**

(45) **Date of Patent:** **** Apr. 8, 2003**

(54) **COOLER CONTROL**

(75) Inventors: **Lawrence D. Moye**, Kewaskum, WI (US); **Jeffrey A. Ziminski**, Milwaukee, WI (US); **Michael J. Nickel**, Milwaukee, WI (US); **David H. Roland**, Cedarburg, WI (US); **Brett J. Vladika**, Milwaukee, WI (US)

(73) Assignee: **U-Line Corporation**, Milwaukee, WI (US)

(**) Term: **14 Years**

(21) Appl. No.: **29/155,738**

(22) Filed: **Feb. 14, 2002**

(51) **LOC (7) Cl.** **13-03**

(52) **U.S. Cl.** **D13/162**

(58) **Field of Search** D13/162; D14/125, D14/217, 168, 188, 239, 358; D15/79-91; 62/132, 186, 231, 258, 297, 440, 441, 465, 508; 222/20, 108, 146.6; 312/116, 139.2, 236, 326, 401, 406, 407.1

(56) **References Cited**

U.S. PATENT DOCUMENTS

4,932,224 A	*	6/1990	Katterhenry et al.	62/440
D334,201 S		3/1993	Purkapile		
D379,467 S	*	5/1997	Martin et al.	D15/89
D393,637 S	*	4/1998	Franek	D14/125
D394,858 S	*	6/1998	Wordinger et al.	D14/188
D421,255 S	*	2/2000	Hisatsune et al.	D14/125

6,036,292 A	*	3/2000	Mandel et al.	312/405
D439,914 S	*	4/2001	Trulaske, Sr.	D15/89
D455,160 S	*	4/2002	Choi	D15/89

OTHER PUBLICATIONS

U-Line Corporation, Ice Makers product brochure, Aug. 1998, Milwaukee, Wisconsin, USA.
U-Line Corporation, Product Brochure, Jun. 2000, Milwaukee, Wisconsin, USA.

* cited by examiner

Primary Examiner—James Gandy
Assistant Examiner—Selina Sikder

(74) *Attorney, Agent, or Firm*—Quarles & Brady LLP

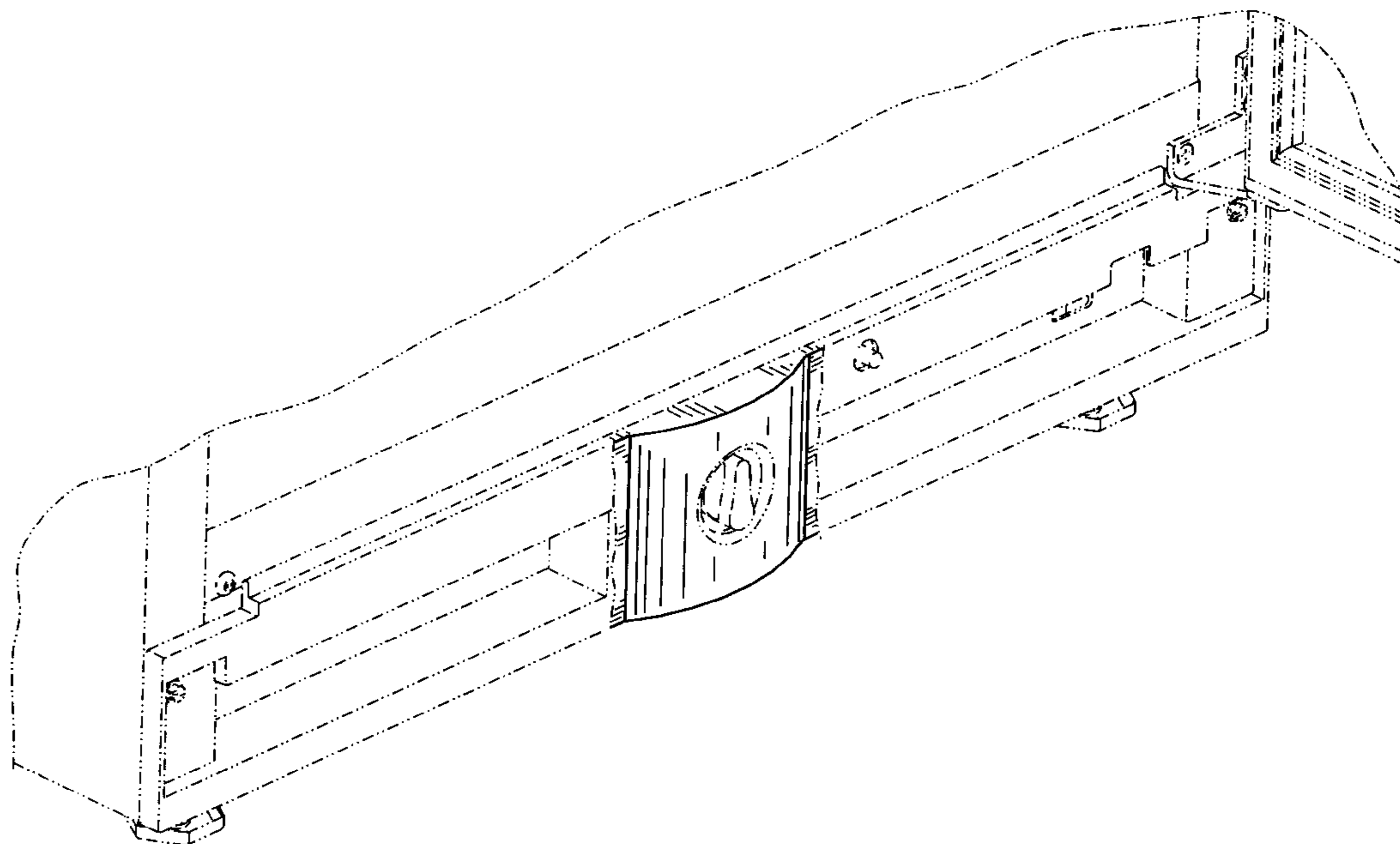
(57) **CLAIM**

The ornamental design for a cooler control, as shown and described.

DESCRIPTION

FIG. 1 is a perspective view of a cooler control showing my new design;
FIG. 2 is a front elevational view thereof;
FIG. 3 is a top elevational view thereof;
FIG. 4 is a right side elevational view thereof, the left side elevational view being a mirror image of the right side; and,
FIG. 5 is an enlarged partial elevational view thereof showing numerals and descriptive matter for purpose of illustration only and forming no part of the claimed design.
The broken line showing of the environment is for illustrative purpose only and forms no part of the claimed design.

1 Claim, 3 Drawing Sheets



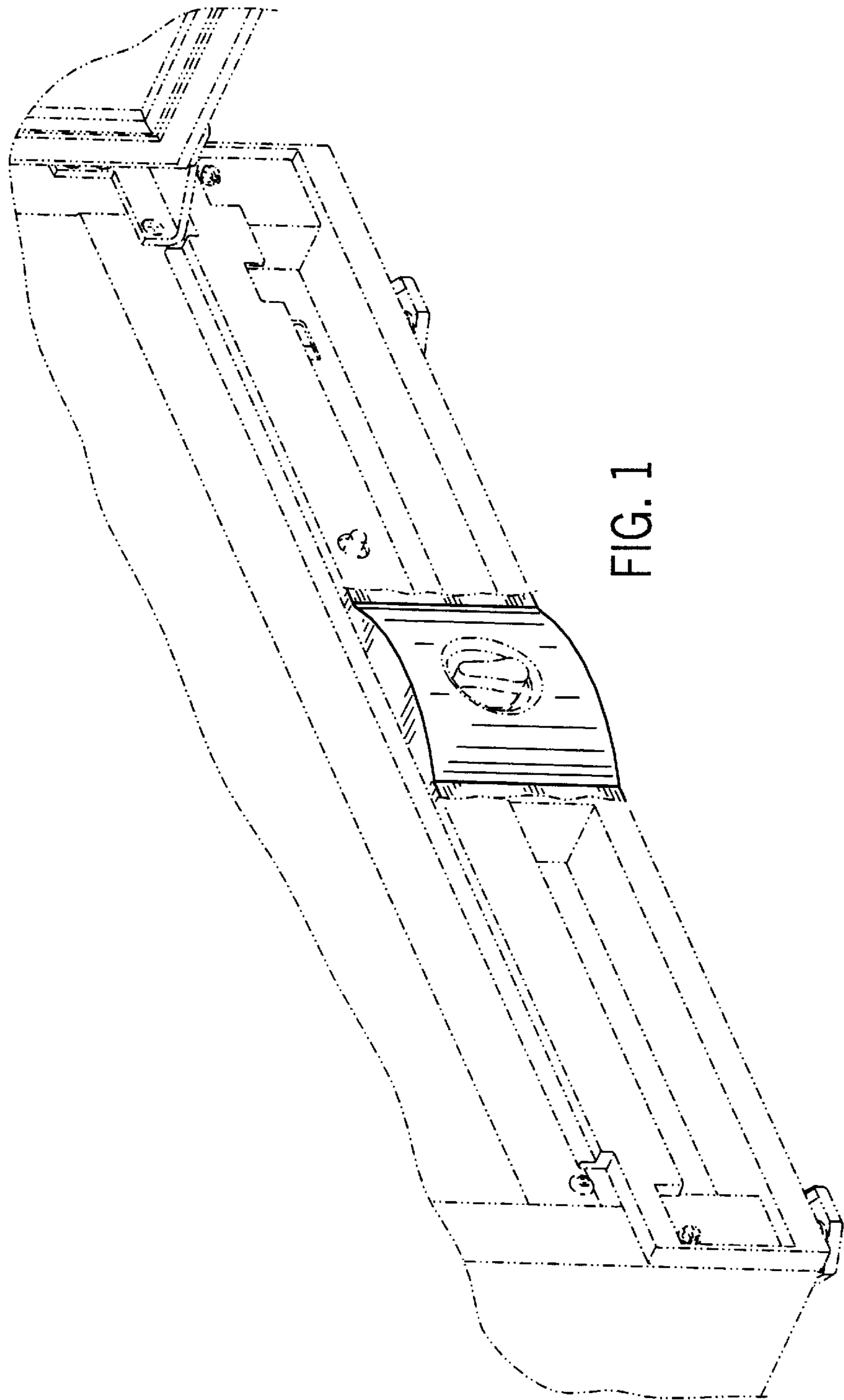


FIG. 1

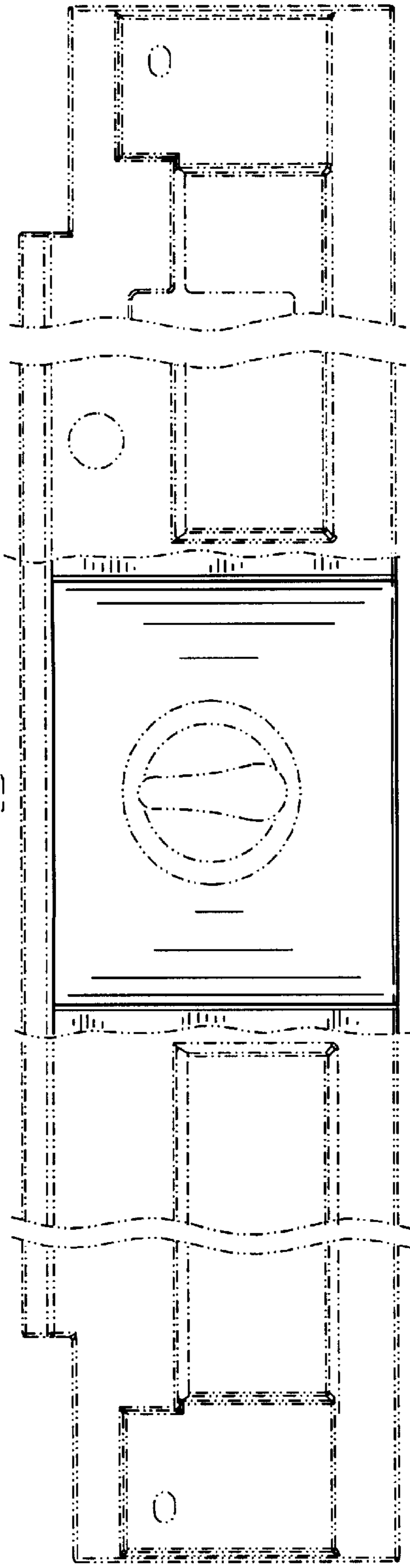
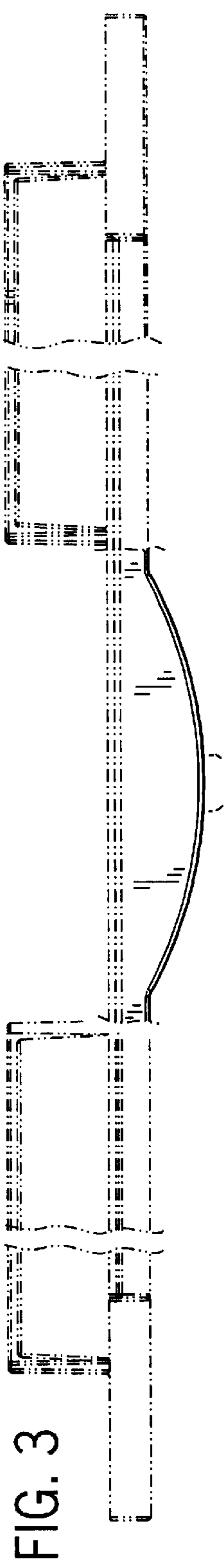


FIG. 2

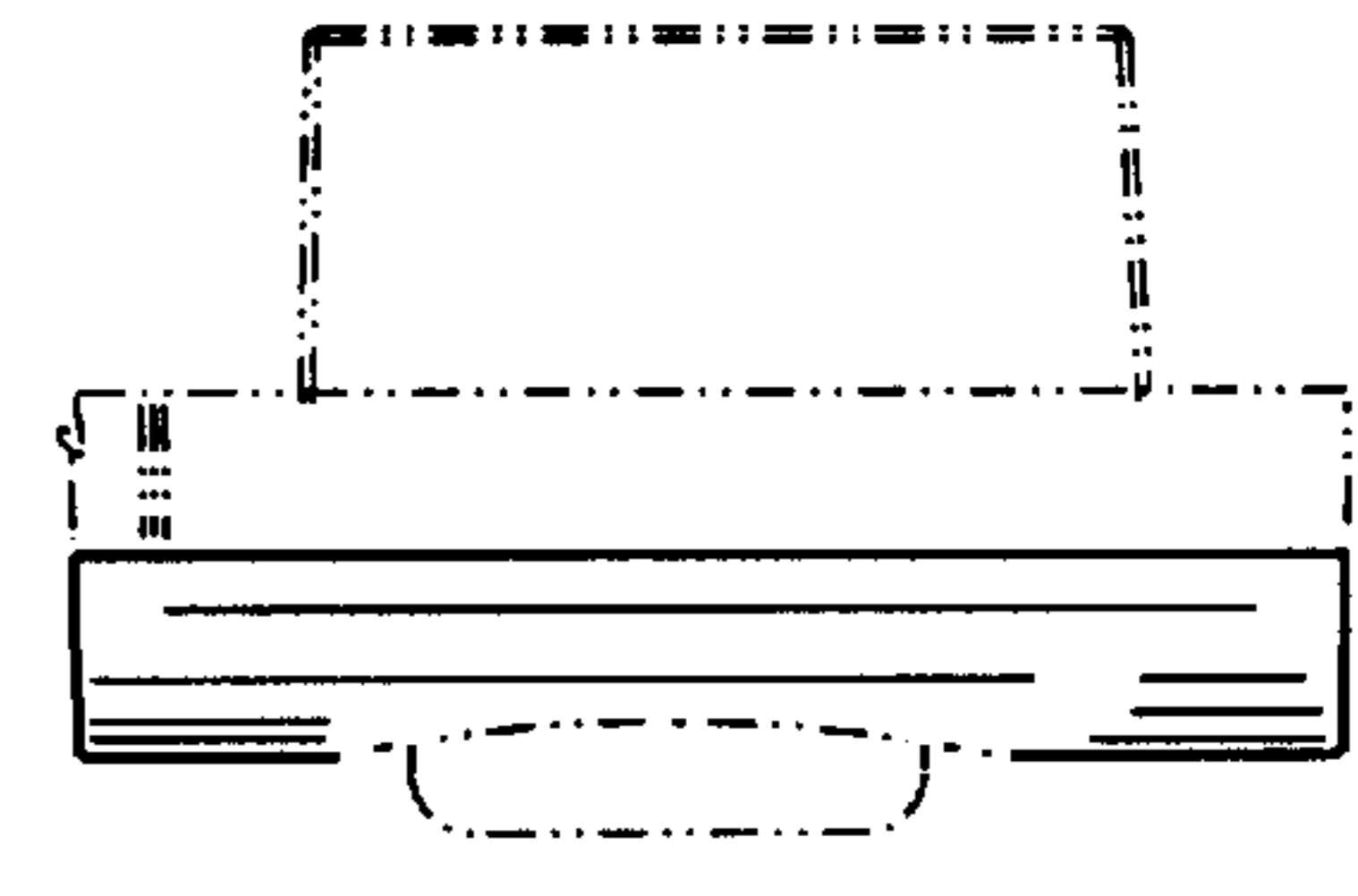


FIG. 4

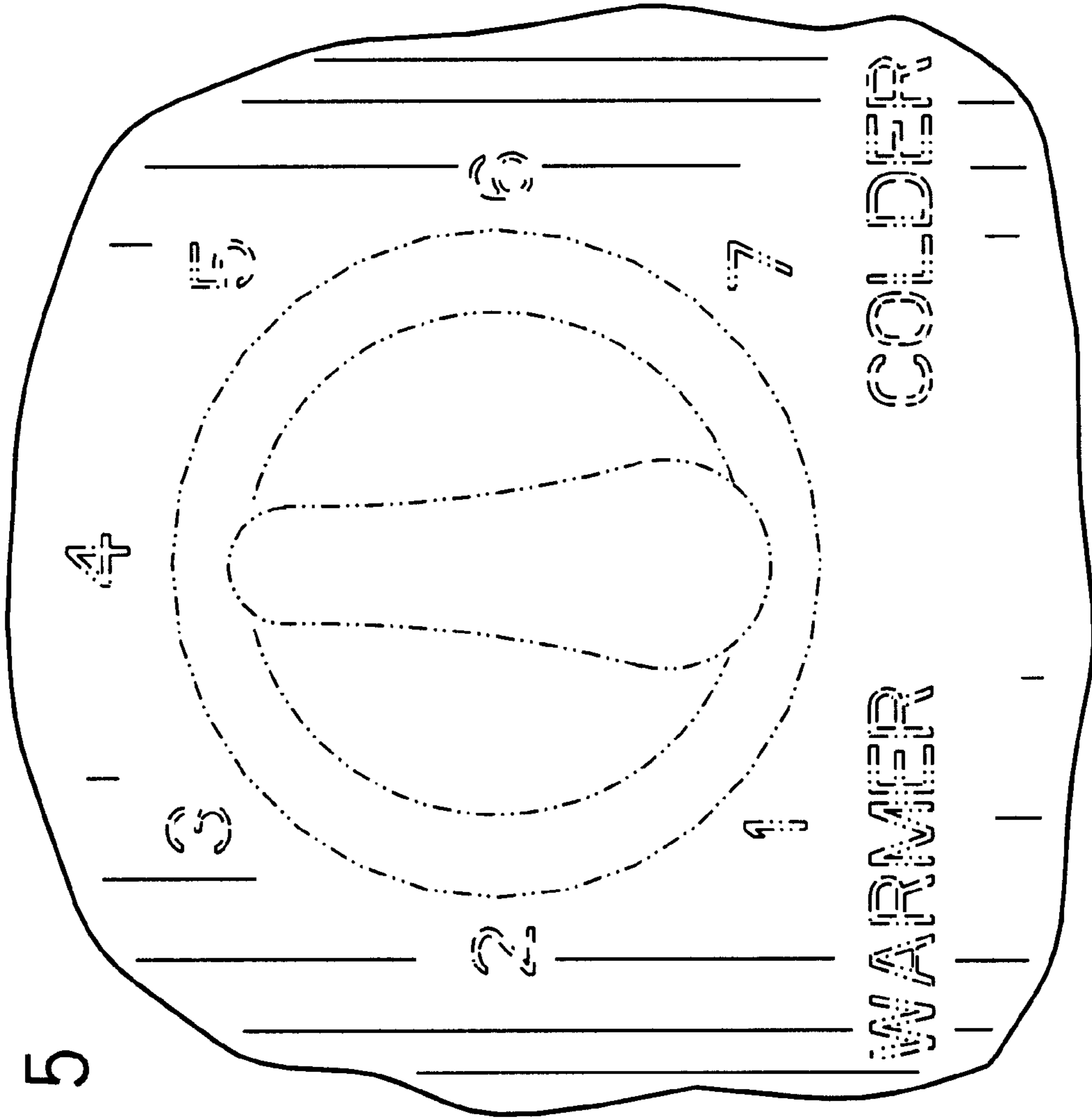


FIG. 5