



US00D472881S

(12) **United States Design Patent**
Hauschulz

(10) **Patent No.:** **US D472,881 S**

(45) **Date of Patent:** **** Apr. 8, 2003**

(54) **PIPE HEATER CONTROLLER**

(75) Inventor: **Dana S. Hauschulz**, Boulder, CO (US)

(73) Assignee: **MKS Instruments, Inc.**, Andover, MA (US)

(**) Term: **14 Years**

(21) Appl. No.: **29/145,150**

(22) Filed: **Jul. 16, 2001**

(51) **LOC (7) Cl.** **13-03**

(52) **U.S. Cl.** **D13/162**

(58) **Field of Search** D13/162; D9/306; D10/57, 58; D23/385, 386, 266; D25/115; 138/33; 219/535, 528, 544, 549; 264/171.1, 24, 299, 328.1; 165/145, 104.21, 104.26, 132, 104.14

(56) **References Cited**

U.S. PATENT DOCUMENTS

D279,604 S	*	7/1985	Nishigaki	D24/138
4,566,527 A	*	1/1986	Pell et al.	165/45
4,581,521 A	*	4/1986	Grise	219/535
5,195,575 A	*	3/1993	Wylie	165/132
5,586,214 A	*	12/1996	Eckman	392/503
5,714,738 A	*	2/1998	Hauschulz et al.	219/535
D395,210 S	*	6/1998	Almsig	D7/701

D400,670 S	*	11/1998	Sorkin	D23/393
D402,573 S	*	12/1998	Chen	D10/58
5,930,459 A	*	7/1999	Eckman et al.	392/503
D425,611 S	*	5/2000	Qu	D23/386
6,300,607 B1	*	10/2001	Steinhauser et al.	219/544
6,337,470 B1	*	1/2002	Von Arx et al.	219/544

* cited by examiner

Primary Examiner—Ted Shooman

Assistant Examiner—Selina Sikder

(74) *Attorney, Agent, or Firm*—James R. Young; Faegre & Benson LLP

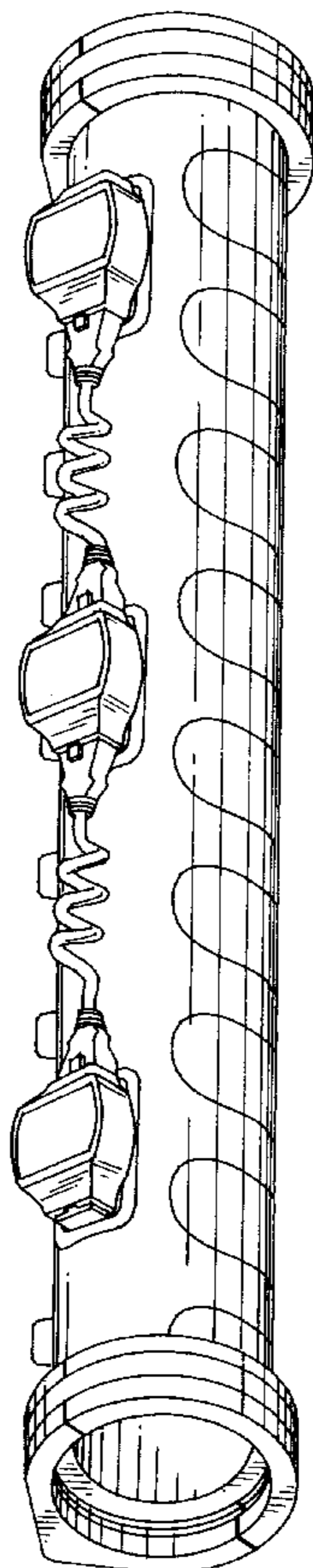
(57) **CLAIM**

An ornamental design for a pipe heater controller, as shown and described.

DESCRIPTION

FIG. 1 is a front elevation view of the pipe heater controller; FIG. 2 is a right side elevation view of the pipe heater controller; FIG. 3 is a bottom plan view of the pipe heater controller; FIG. 4 is a top plan view of the pipe heater controller; FIG. 5 is a left side elevation view of the pipe heater controller; FIG. 6 is a rear elevation view of the pipe heater controller; and, FIG. 7 is a perspective view of the pipe heater controller.

1 Claim, 3 Drawing Sheets



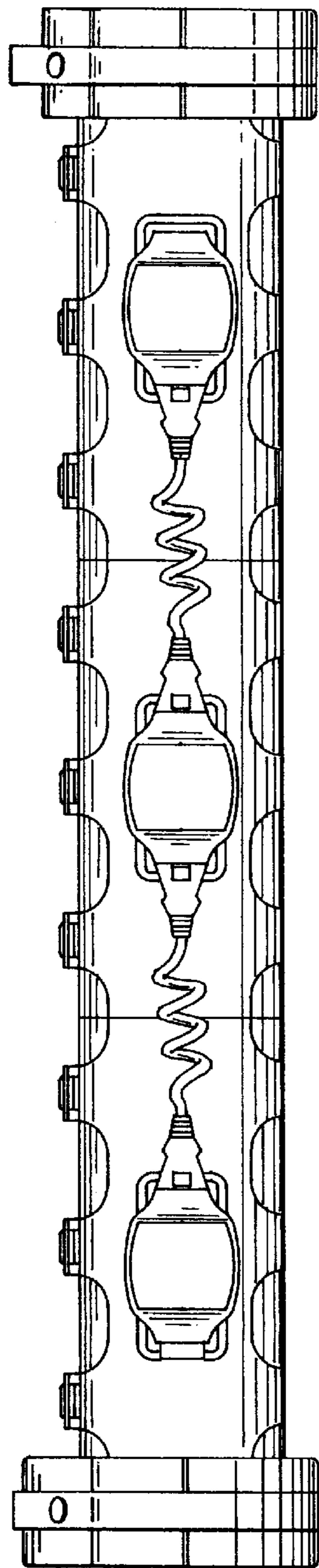


FIG. 1

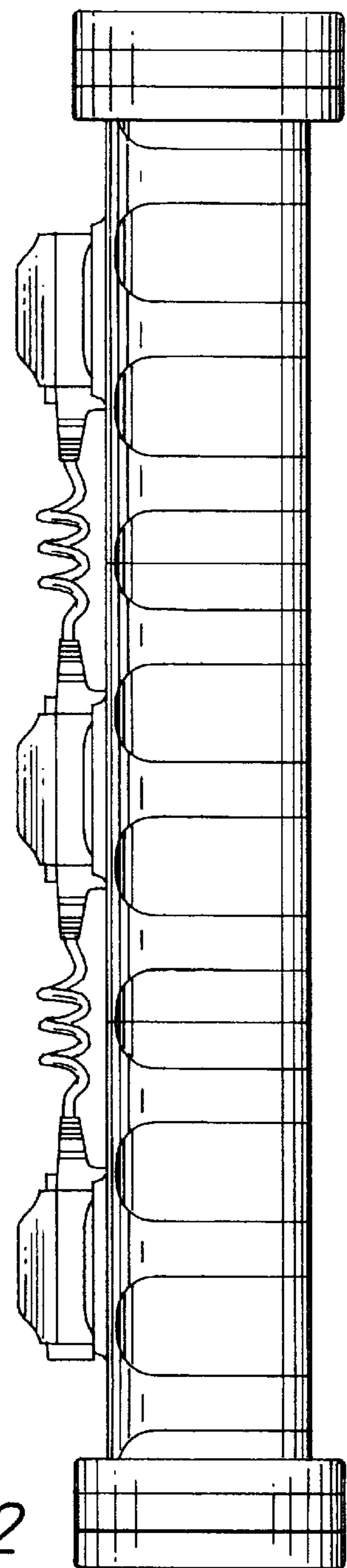


FIG. 2

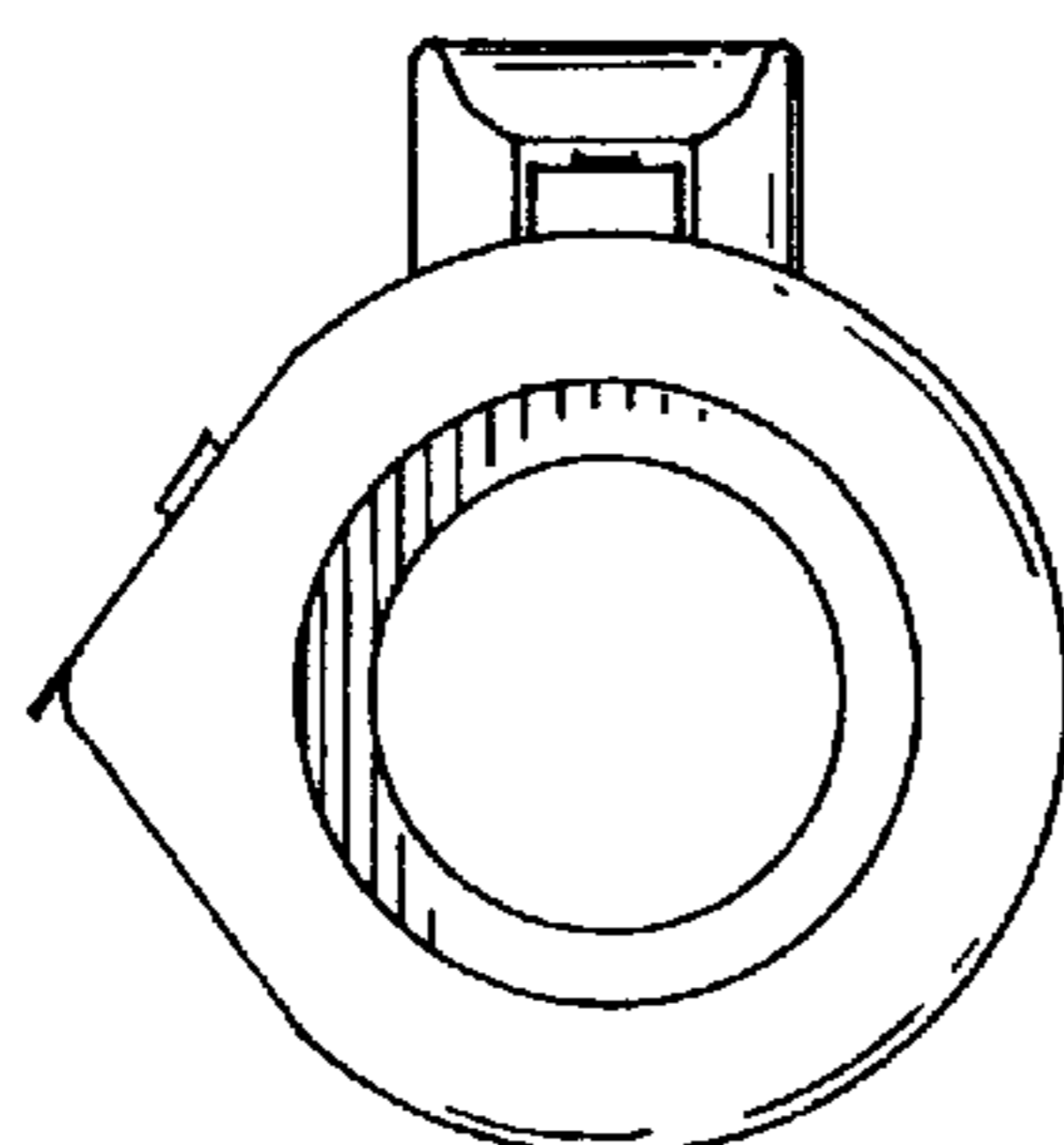


FIG. 3

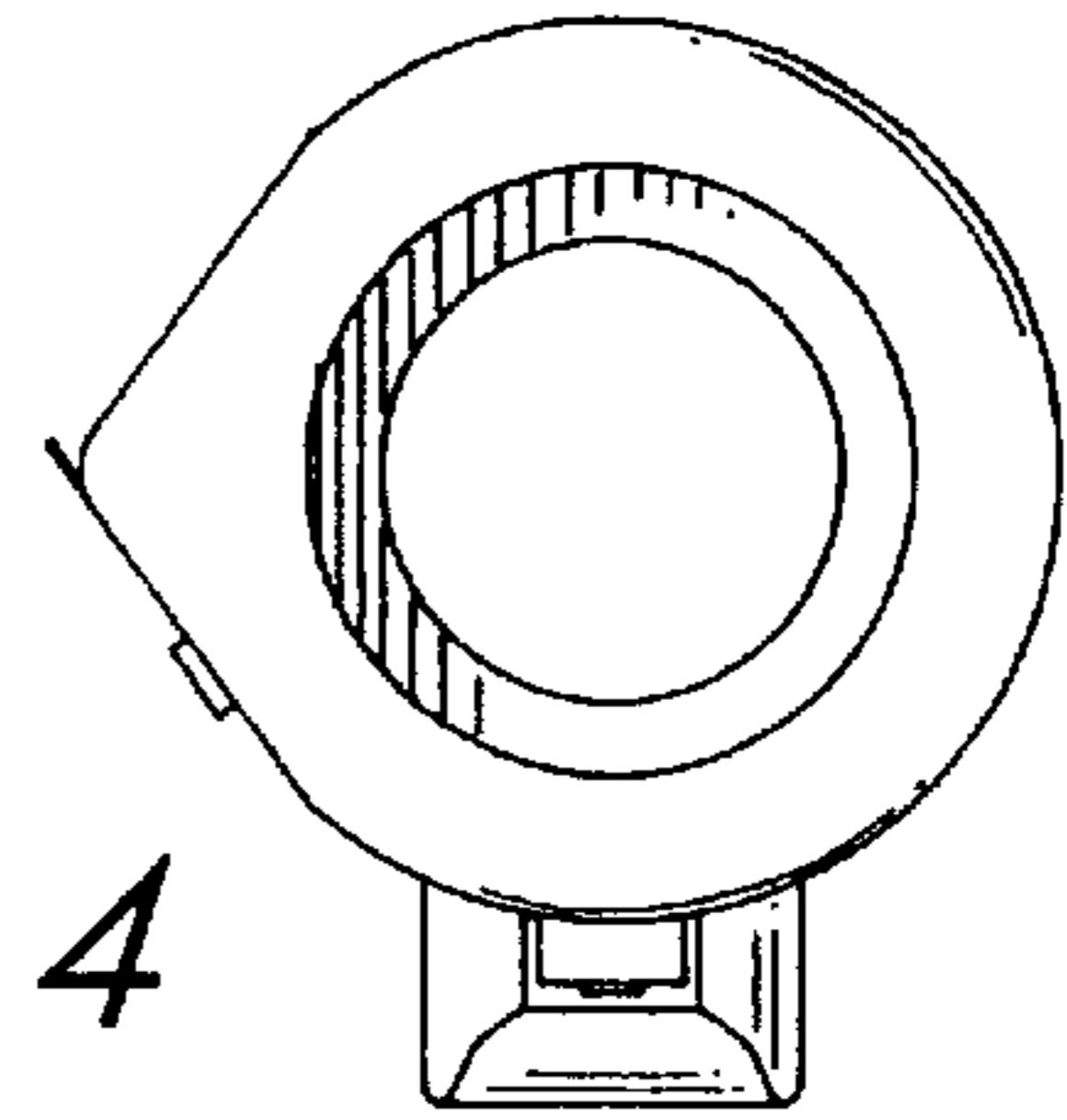


FIG. 4

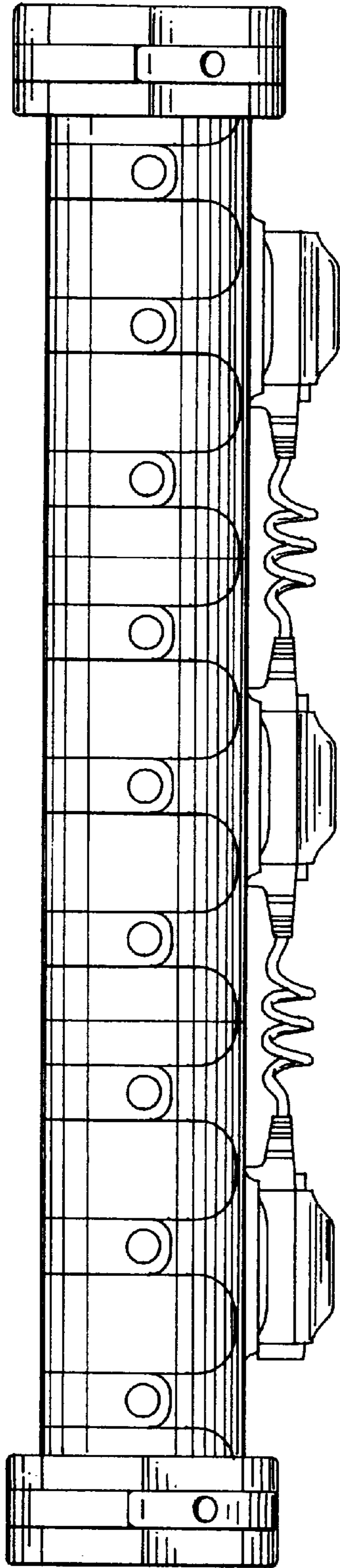


FIG. 5

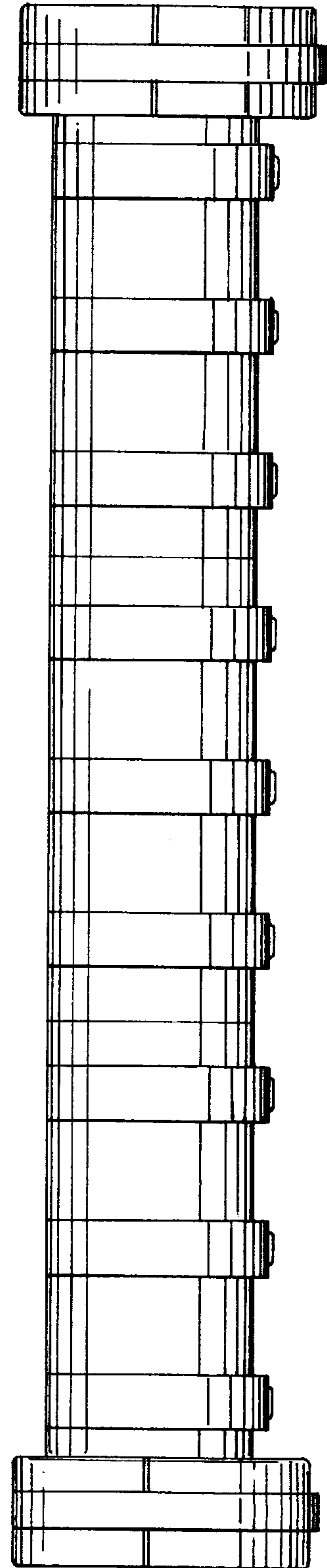


FIG. 6

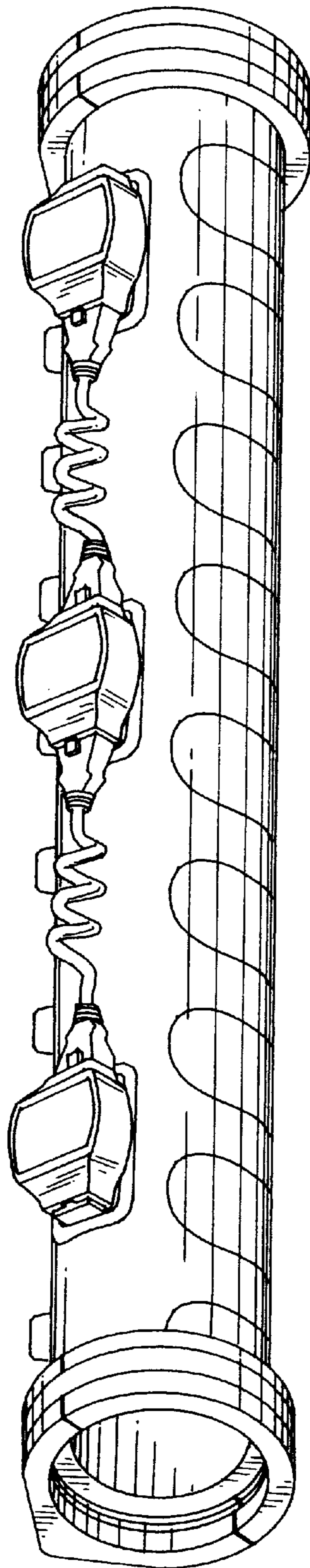


FIG. 7