



US00D472879S

(12) **United States Design Patent**  
**Ouchi et al.**

(10) **Patent No.:** **US D472,879 S**

(45) **Date of Patent:** **\*\* Apr. 8, 2003**

(54) **ELECTRIC CONNECTOR**

(75) Inventors: **Masashi Ouchi**, Ibaraki-ken (JP);  
**Takeshi Konno**, Ibaraki-ken (JP);  
**Shuichi Sasajima**, Ibaraki-ken (JP);  
**Tomohiro Mori**, Ibaraki-ken (JP)

(73) Assignee: **Mitsumi Electric Co., Ltd.**, Tokyo (JP)

(\*\*) Term: **14 Years**

(21) Appl. No.: **29/165,502**

(22) Filed: **Aug. 13, 2002**

(30) **Foreign Application Priority Data**

Feb. 14, 2002 (JP) ..... 2002-003617

(51) **LOC (7) Cl.** ..... **13-03**

(52) **U.S. Cl.** ..... **D13/147**

(58) **Field of Search** ..... D13/120, 147;  
439/224, 660

(56) **References Cited**

**U.S. PATENT DOCUMENTS**

4,632,475 A \* 12/1986 Tomita ..... 439/1  
4,657,320 A \* 4/1987 Bamford et al. .... 439/31  
4,975,062 A \* 12/1990 Evans et al. .... 439/13

5,551,883 A \* 9/1996 Davis ..... 439/660 X  
5,674,078 A \* 10/1997 Davis et al. .... 439/79  
6,050,858 A \* 4/2000 Liu et al. .... 439/660  
6,086,403 A \* 7/2000 Po et al. .... 439/660 X  
6,095,839 A \* 8/2000 Kline ..... 439/224  
D433,383 S \* 11/2000 Lee ..... D13/147  
6,190,201 B1 \* 2/2001 Shih et al. .... 439/567  
D450,301 S \* 11/2001 Shimizu et al. .... D13/147

\* cited by examiner

*Primary Examiner*—Joel Sincavage

(74) *Attorney, Agent, or Firm*—Sughrue Mion, PLLC

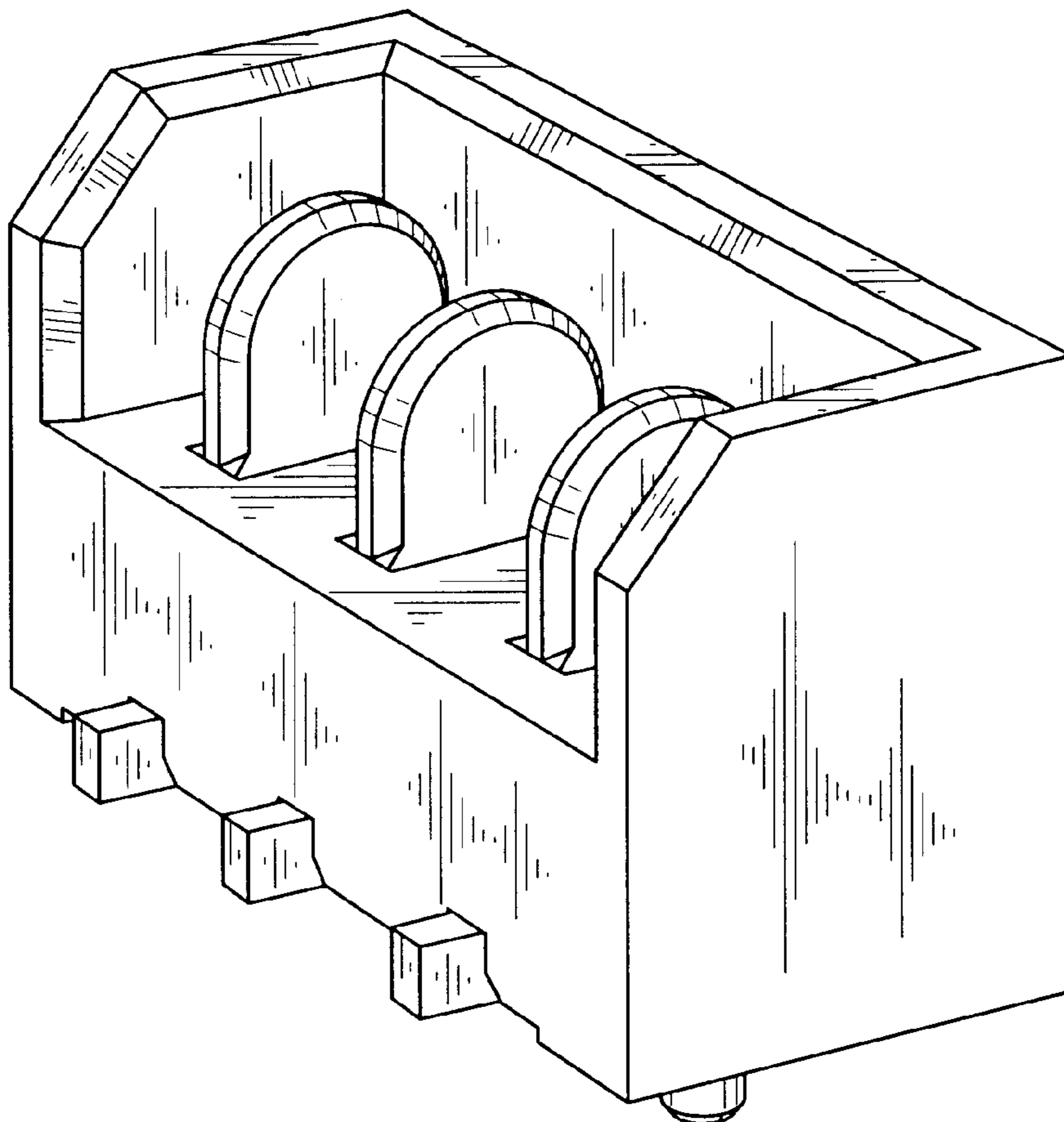
(57) **CLAIM**

The ornamental design for an electric connector, as shown.

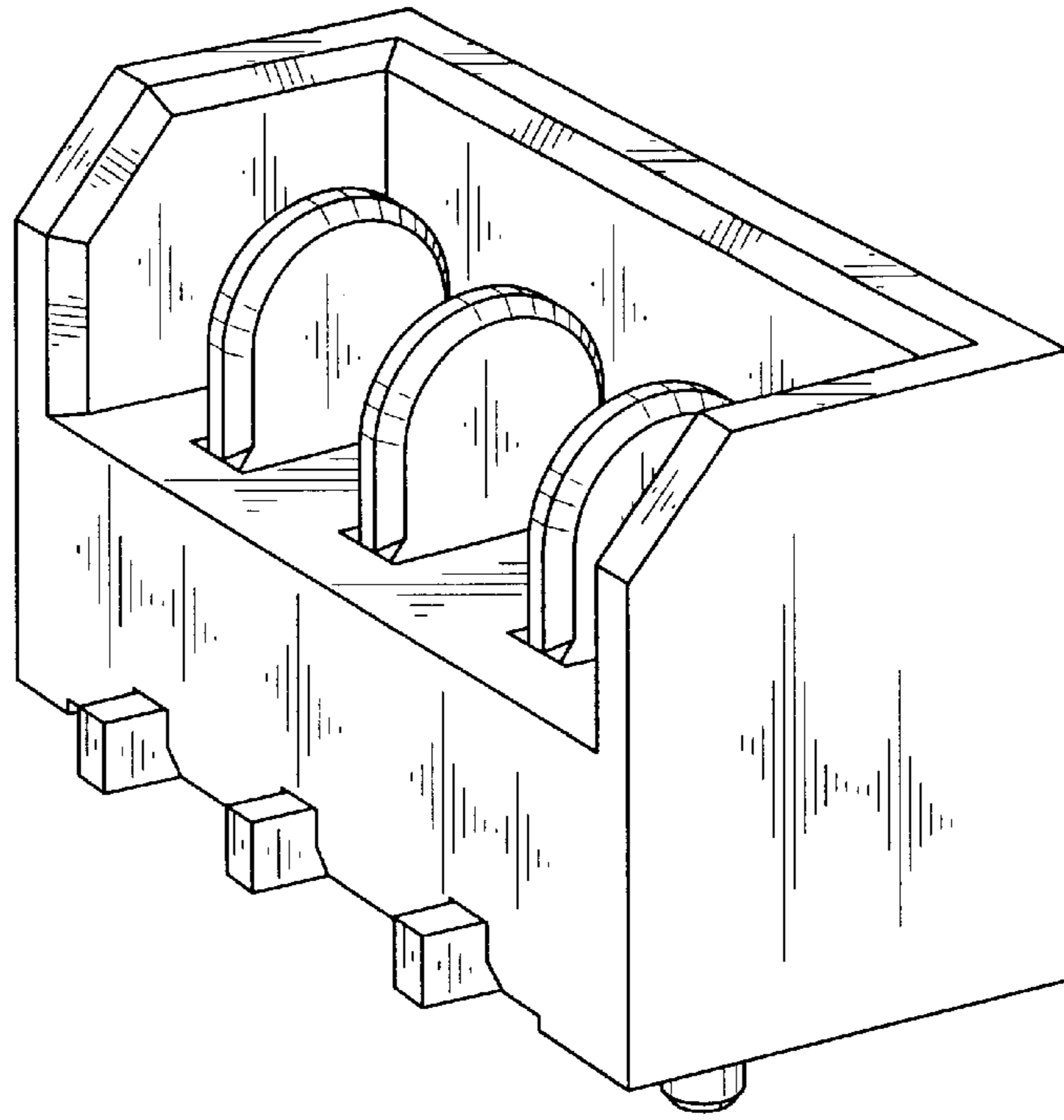
**DESCRIPTION**

FIG. 1 is a perspective view of the top, front and right side of an electric connector showing our new design;  
FIG. 2 is a perspective view of the bottom, rear and left side thereof;  
FIG. 3 is a top plan view thereof;  
FIG. 4 is a front elevational view thereof;  
FIG. 5 is a bottom plan view thereof;  
FIG. 6 is a right side elevational view thereof; and,  
FIG. 7 is a rear elevational view thereof.

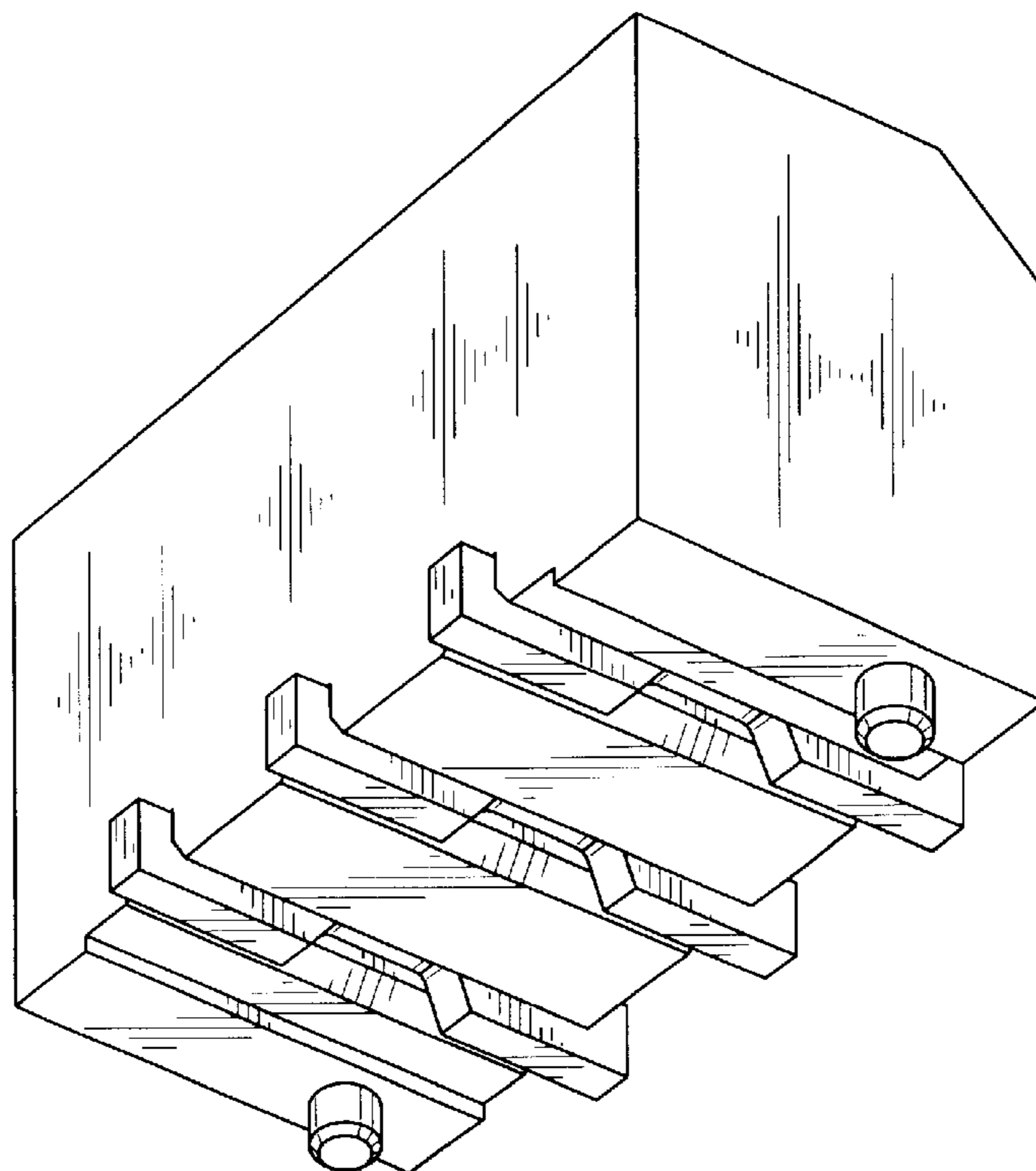
**1 Claim, 3 Drawing Sheets**



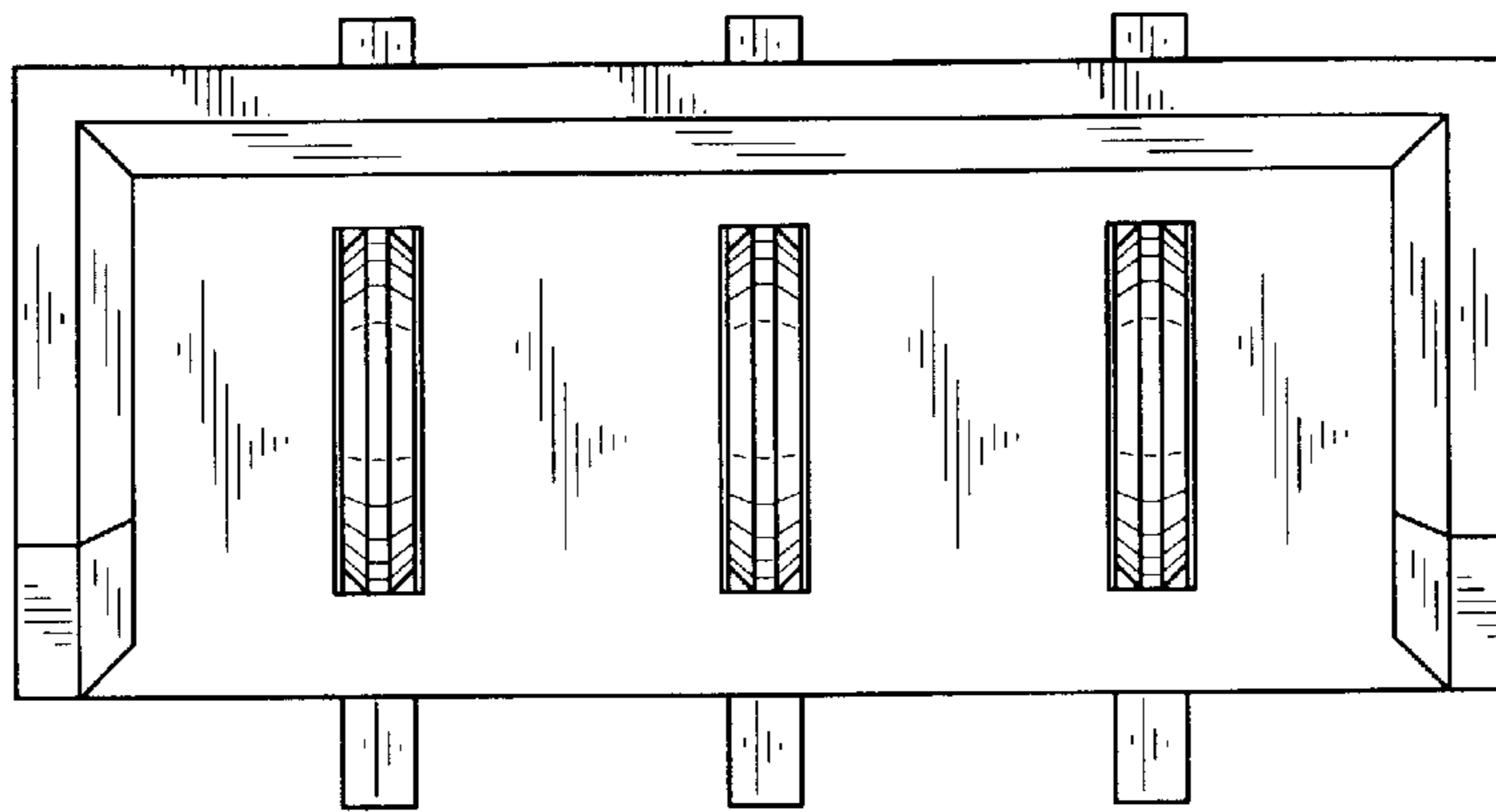
**FIG. 1**



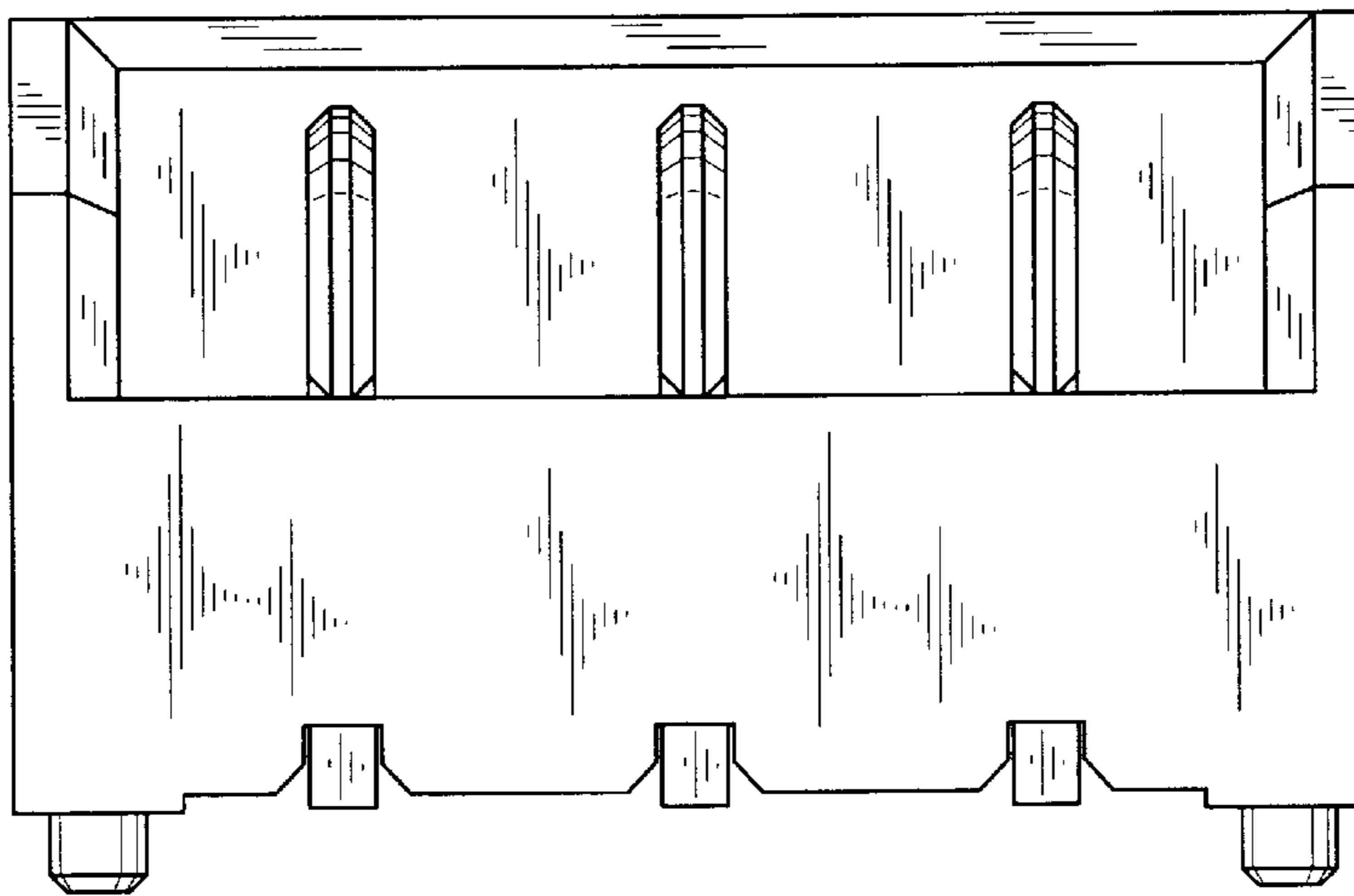
**FIG. 2**



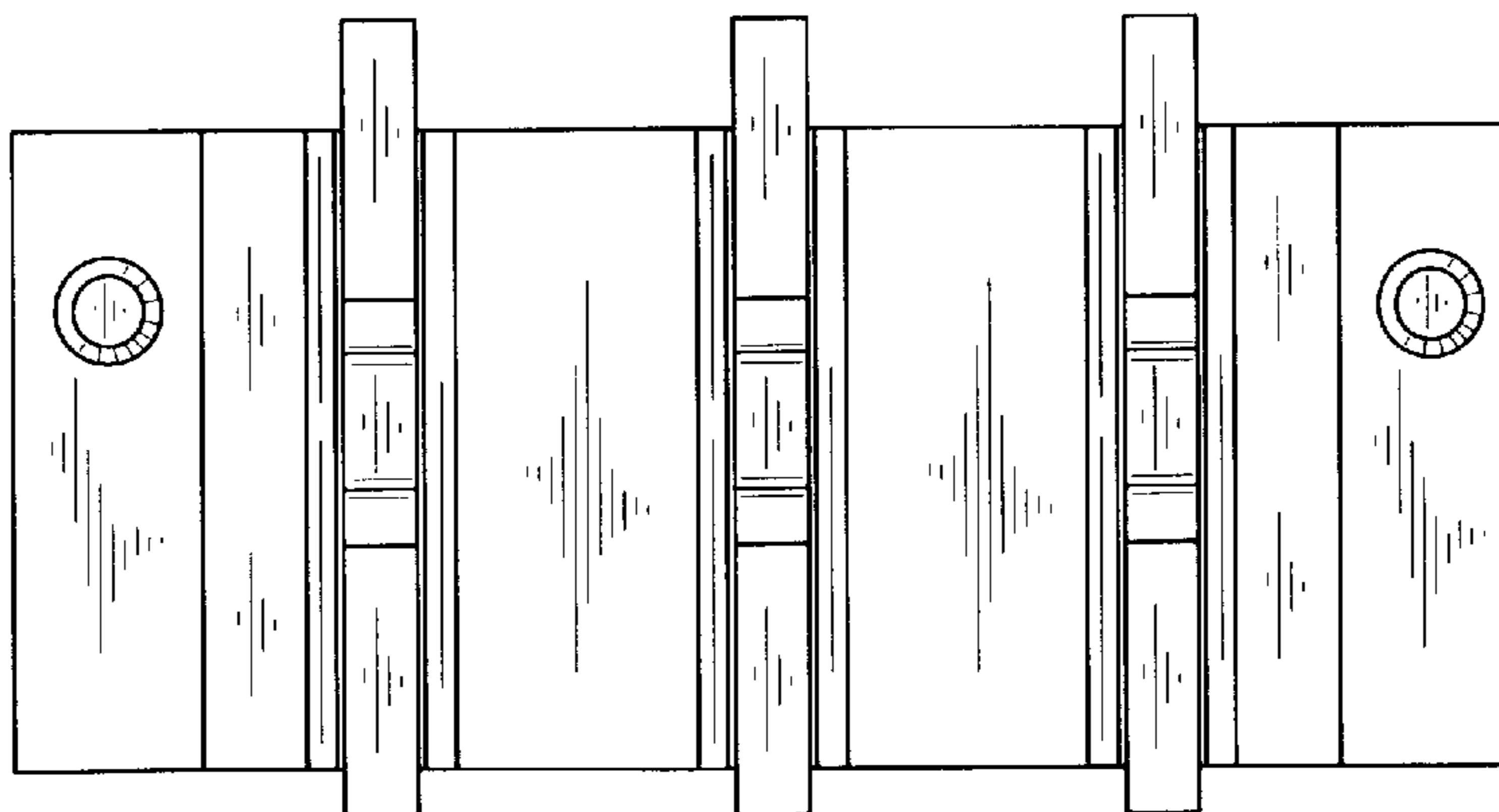
*FIG. 3*



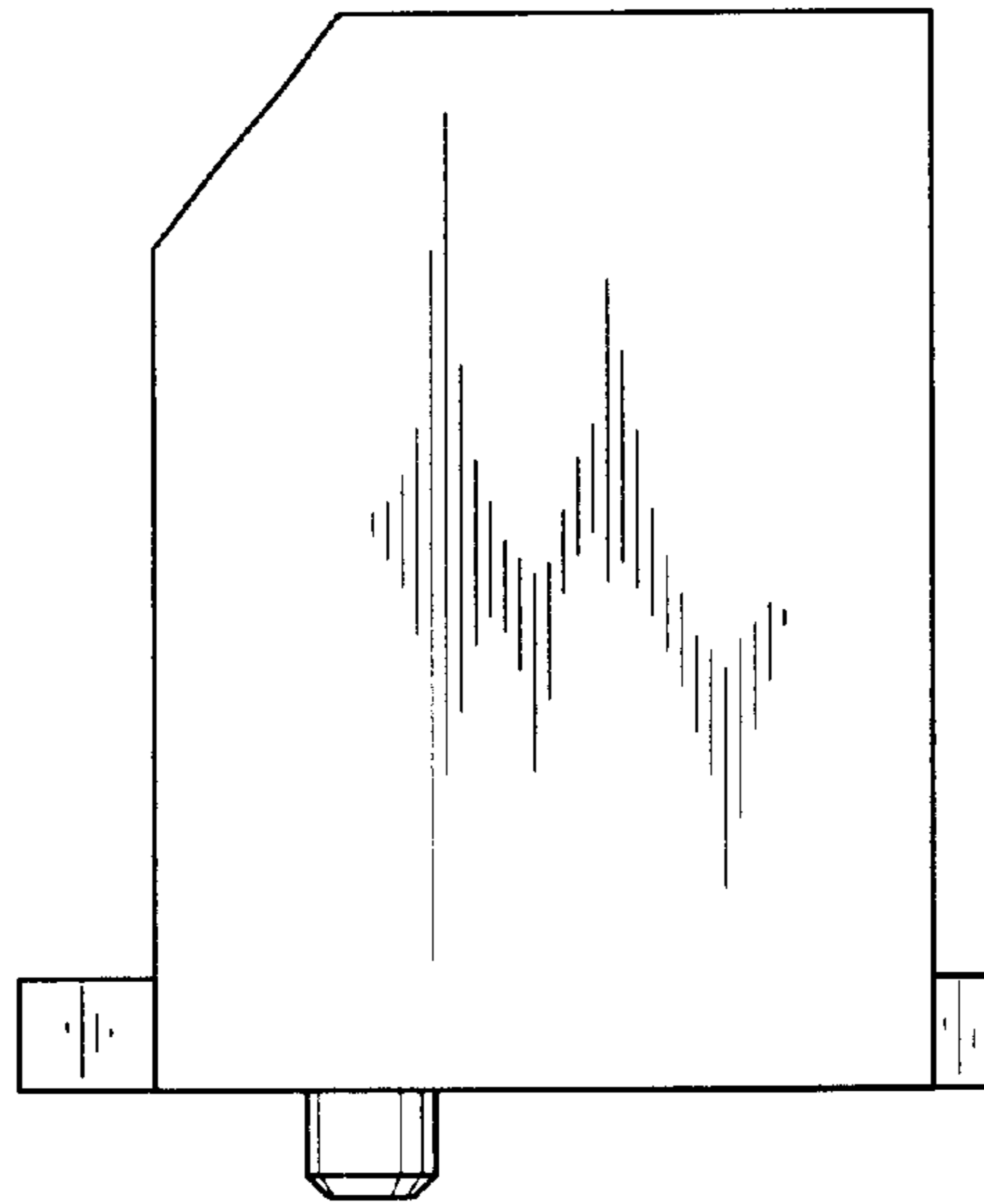
*FIG. 4*



*FIG. 5*



*FIG. 6*



*FIG. 7*

