



US00D472878S

(12) **United States Design Patent**  
**Kitamura**

(10) **Patent No.:** **US D472,878 S**

(45) **Date of Patent:** **\*\* Apr. 8, 2003**

(54) **CONNECTING TERMINAL**

(75) Inventor: **Hirokazu Kitamura**, Kyoto (JP)

(73) Assignee: **Omron Corporation**, Kyoto (JP)

(\*\*) Term: **14 Years**

(21) Appl. No.: **29/141,449**

(22) Filed: **May 8, 2001**

(30) **Foreign Application Priority Data**

Nov. 16, 2000 (JP) ..... 2000-032802

(51) **LOC (7) Cl.** ..... **13-03**

(52) **U.S. Cl.** ..... **D13/147; D13/151**

(58) **Field of Search** ..... **D13/151, 147,**  
**D13/149; 439/709, 715, 716, 717; 361/823**

(56) **References Cited**

**U.S. PATENT DOCUMENTS**

D222,470	S	*	10/1971	Fujita et al.	.....	D13/147
3,643,210	A	*	2/1972	Fujita	.....	439/687
D223,493	S	*	4/1972	Fujita et al.	.....	D13/147
3,702,457	A	*	11/1972	Fujita	.....	439/687
3,833,877	A	*	9/1974	Fujita et al.	.....	439/680
3,845,460	A	*	10/1974	Fujita et al.	.....	439/687
D238,366	S	*	1/1976	Fujita et al.	.....	D13/146
5,000,692	A	*	3/1991	Taniguchi et al.	.....	439/716 X
5,610,493	A	*	3/1997	Wieloch	.....	318/801
5,775,955	A	*	7/1998	Graube et al.	.....	439/717
D428,600	S	*	7/2000	Futami et al.	.....	D13/162

\* cited by examiner

*Primary Examiner*—Joel Sincavage

(74) *Attorney, Agent, or Firm*—Dickstein Shapiro Morin & Oshinsky LLP

(57) **CLAIM**

The ornamental design for a connecting terminal, as shown and described.

**DESCRIPTION**

FIG. 1 is a front view showing our new design for a connecting terminal;

FIG. 2 is a rear view of the connecting terminal of FIG. 1;

FIG. 3 is a right side view of the connecting terminal of FIG. 1;

FIG. 4 is a left side view of the connecting terminal of FIG. 1;

FIG. 5 is a top view of the connecting terminal of FIG. 1;

FIG. 6 is a bottom view of the connecting terminal of FIG. 1;

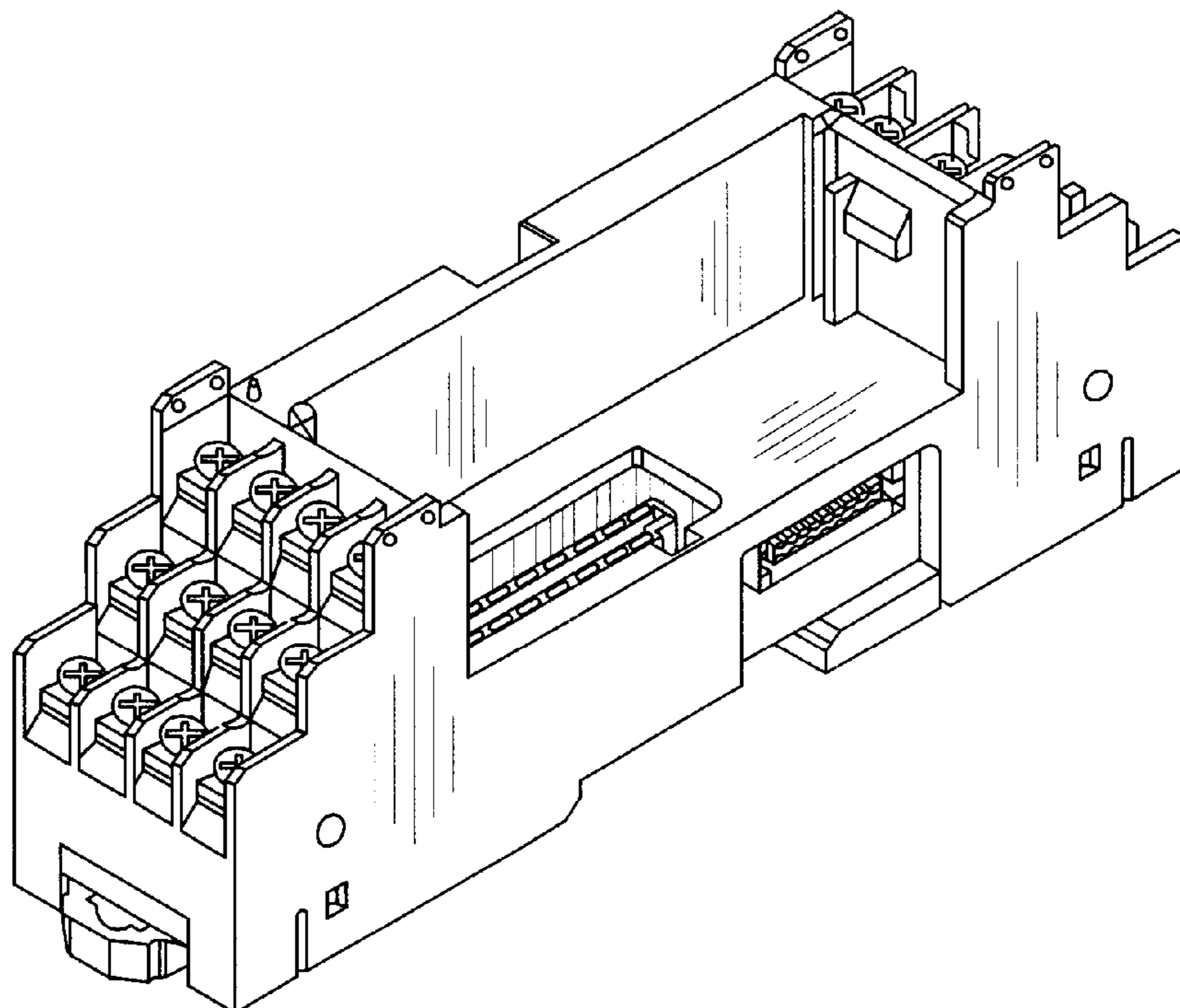
FIG. 7 is a perspective view of the connecting terminal of FIG. 1;

FIG. 8 is another perspective view of the connecting terminal of FIG. 1; and,

FIG. 9 is another perspective view of the connecting terminal of FIG. 1 in use.

The broken lines showing of the device inserted into the terminal in FIG. 9 are included for the purpose of illustrating the environmental structure only and form no part of the claimed design.

**1 Claim, 4 Drawing Sheets**



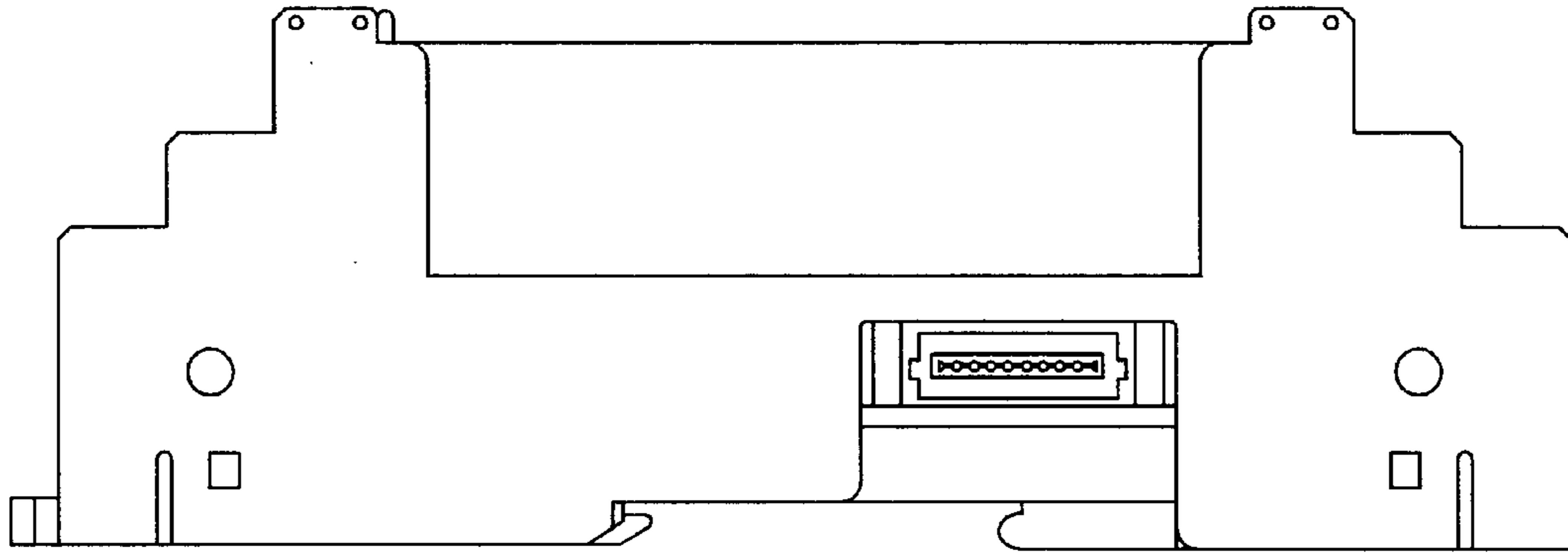


Fig. 1

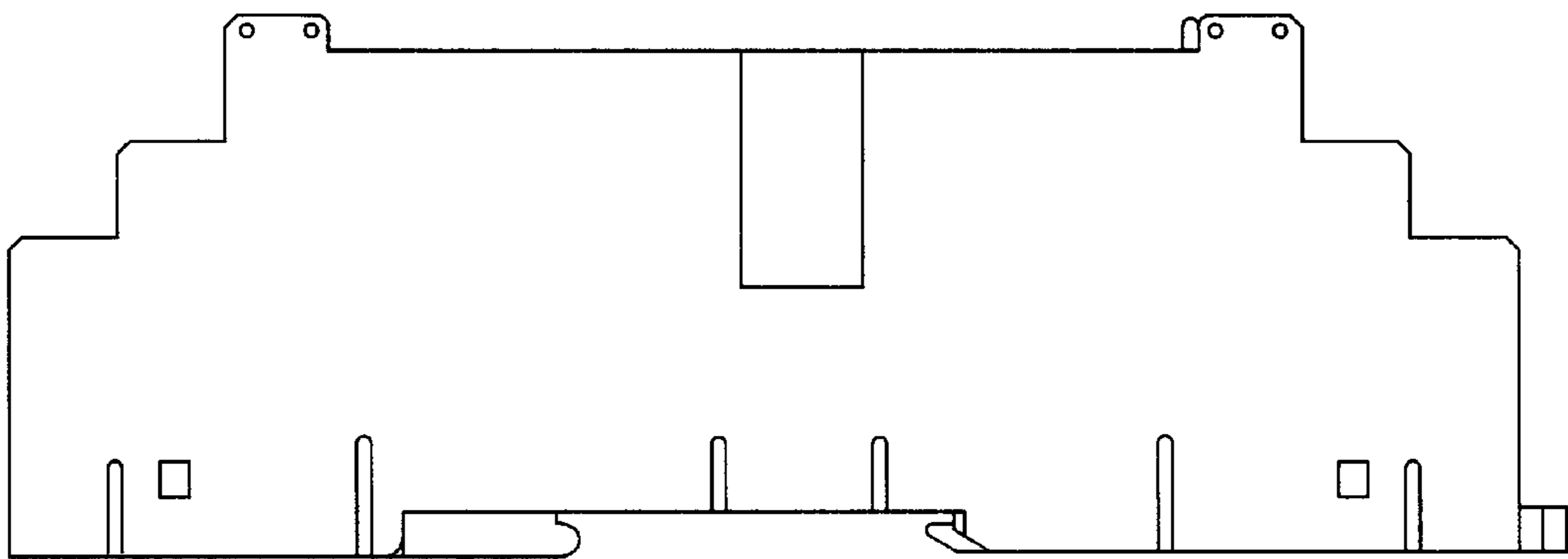


Fig. 2

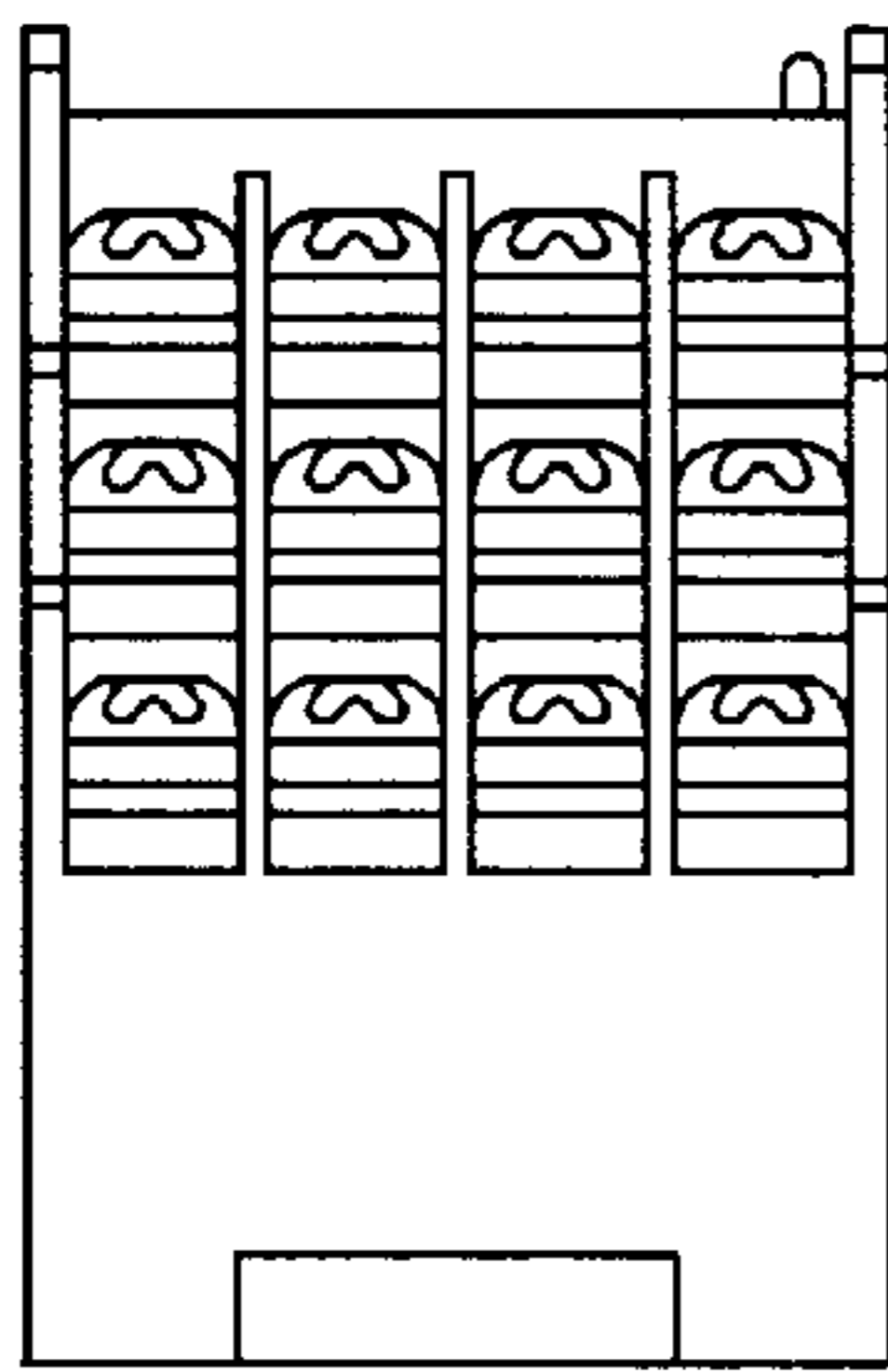


Fig. 3

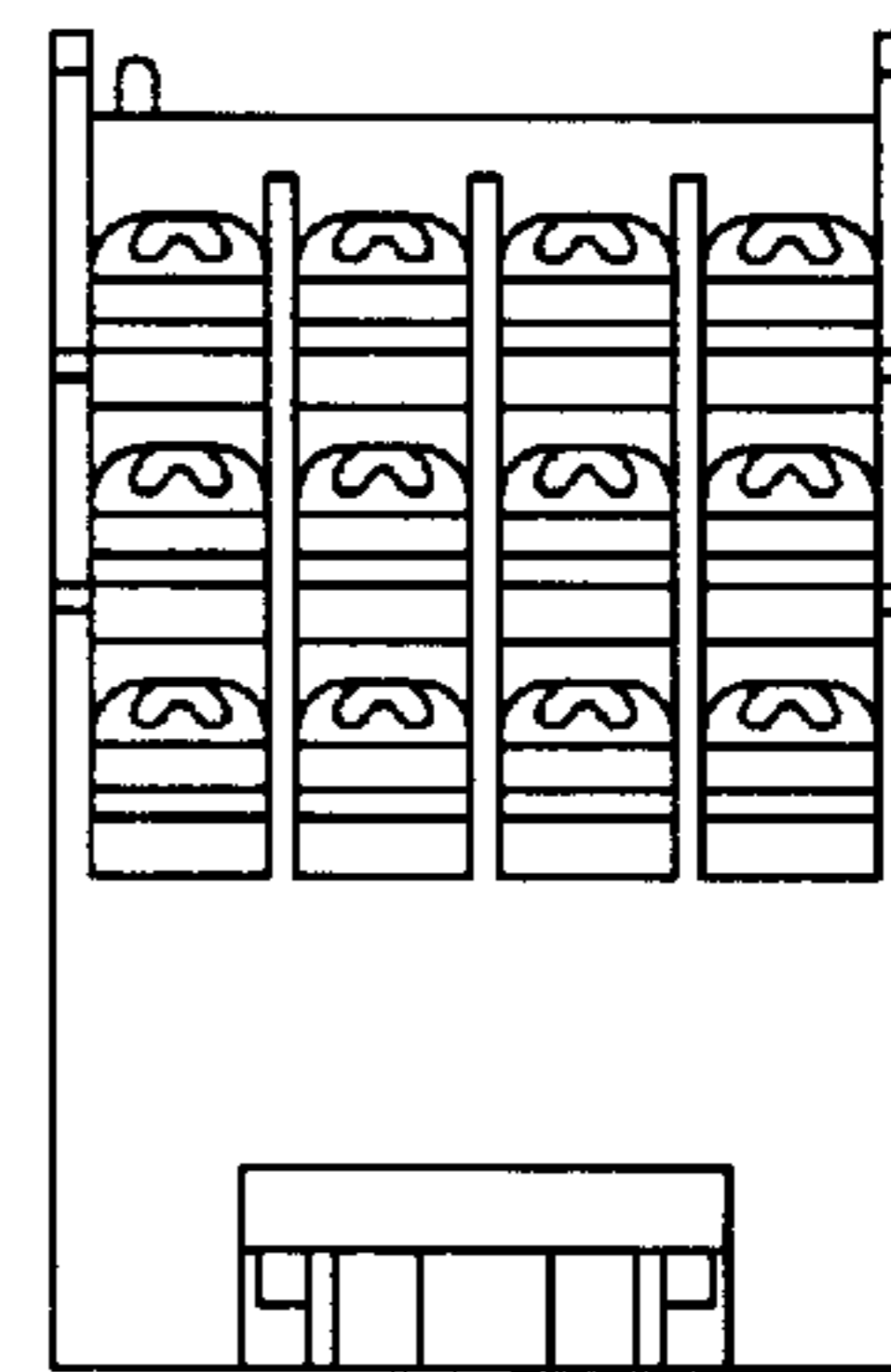


Fig. 4

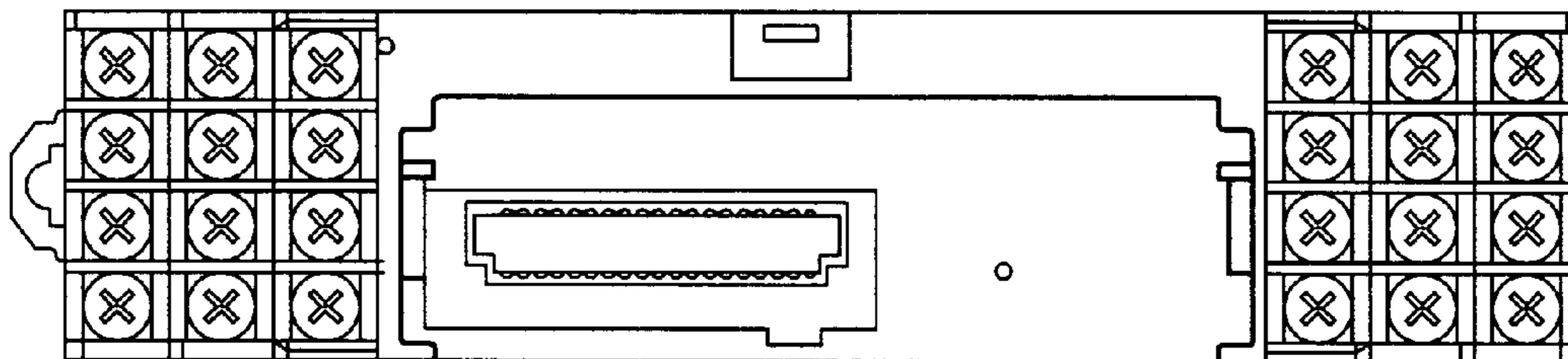


Fig. 5

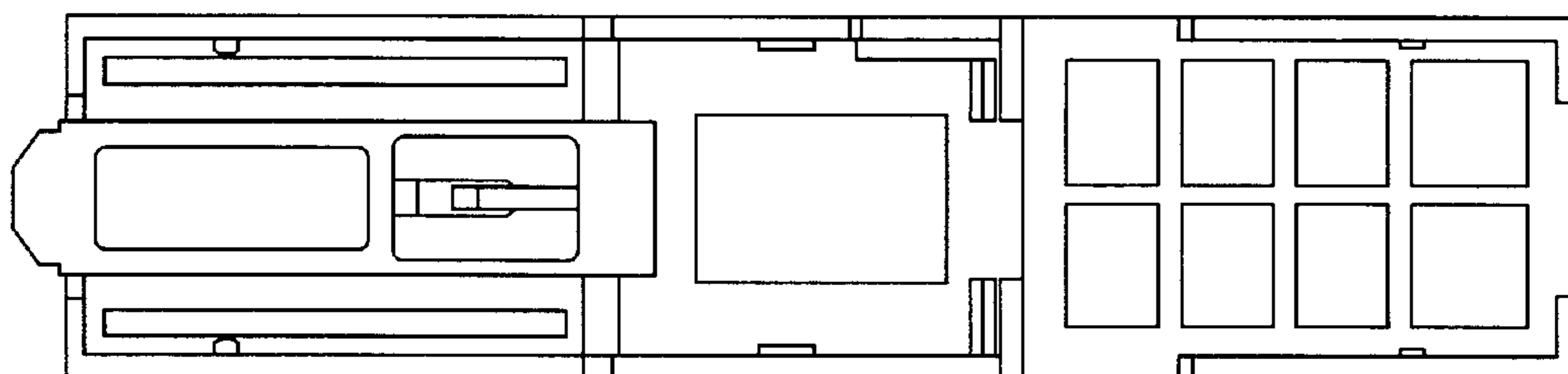


Fig. 6

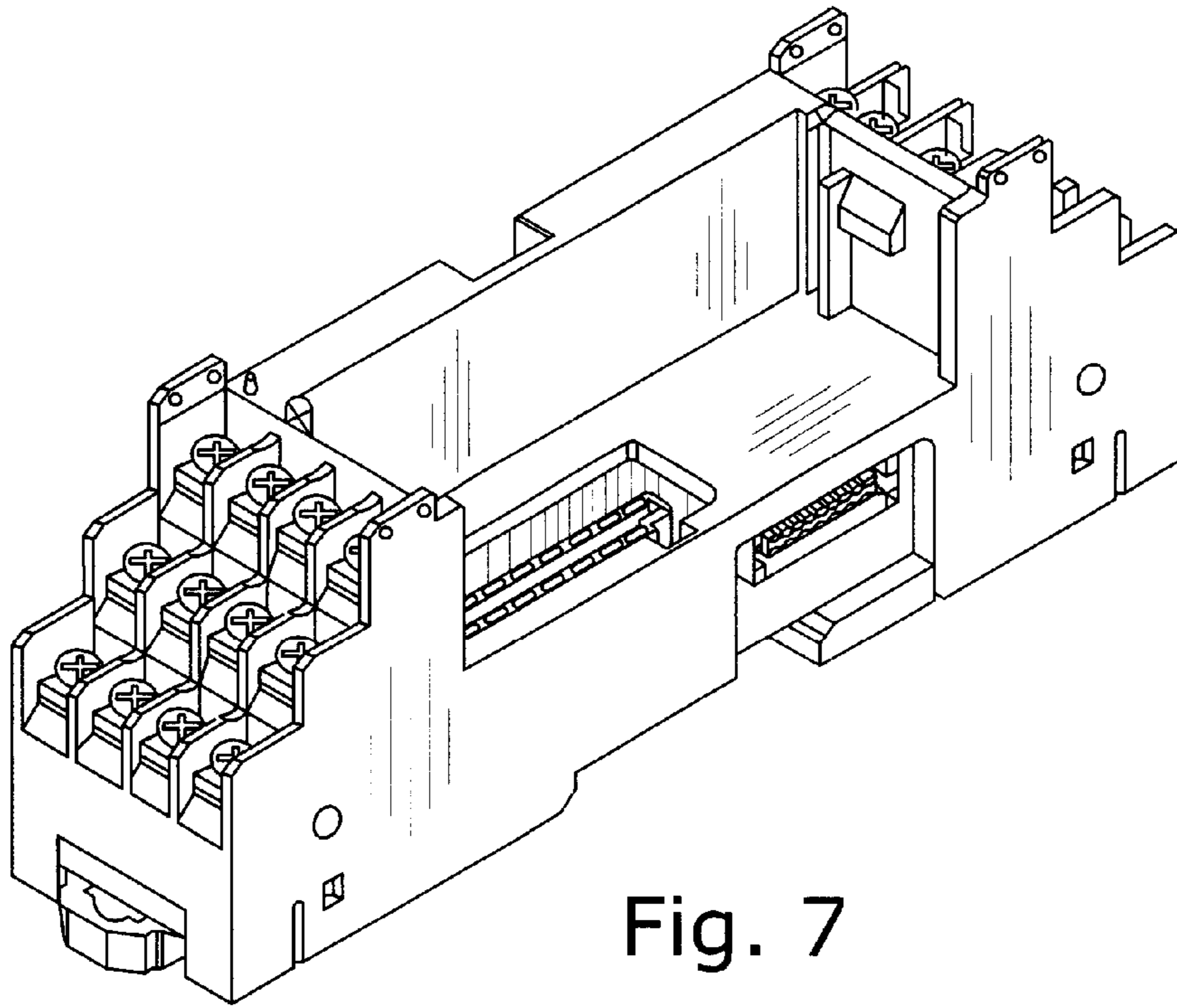


Fig. 7

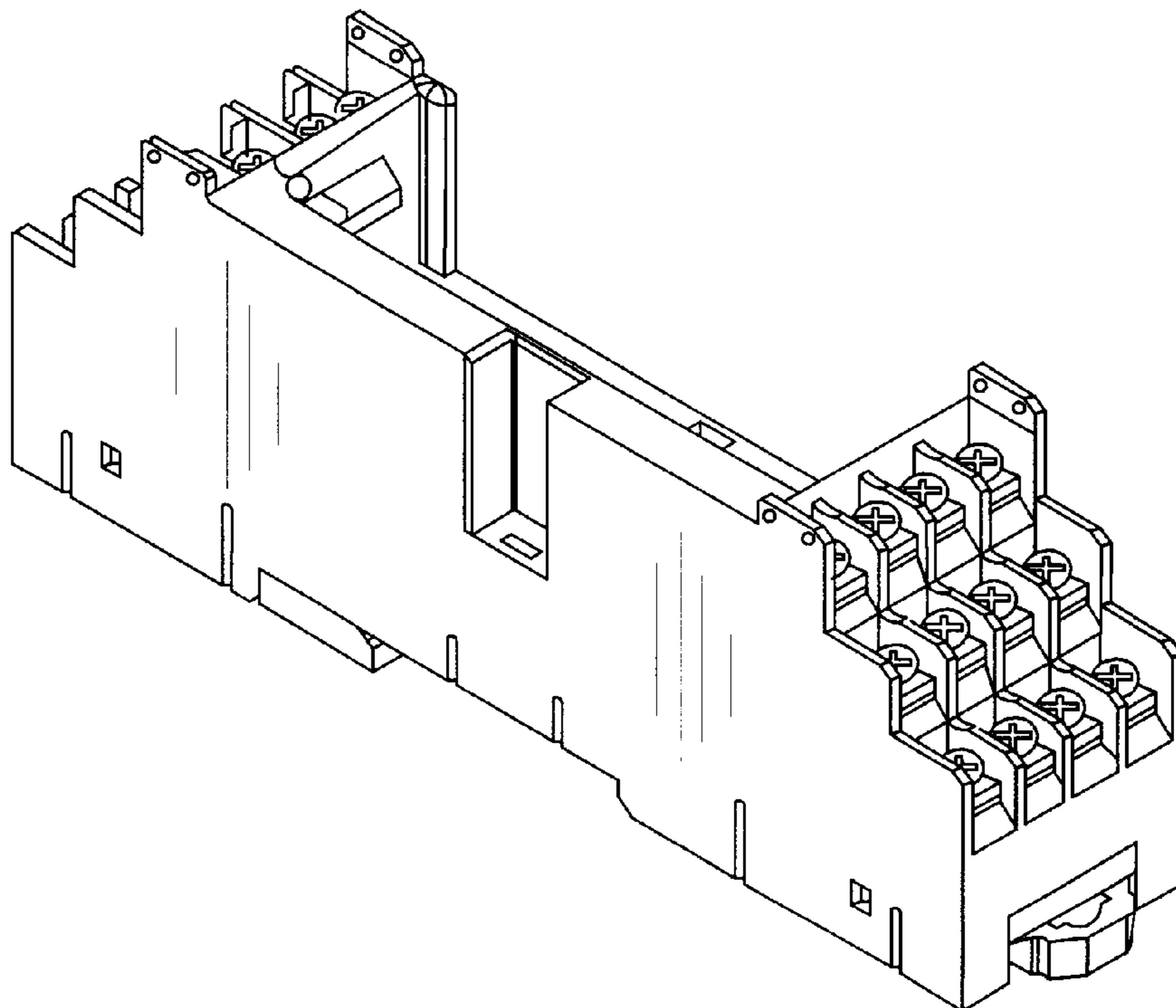


Fig. 8

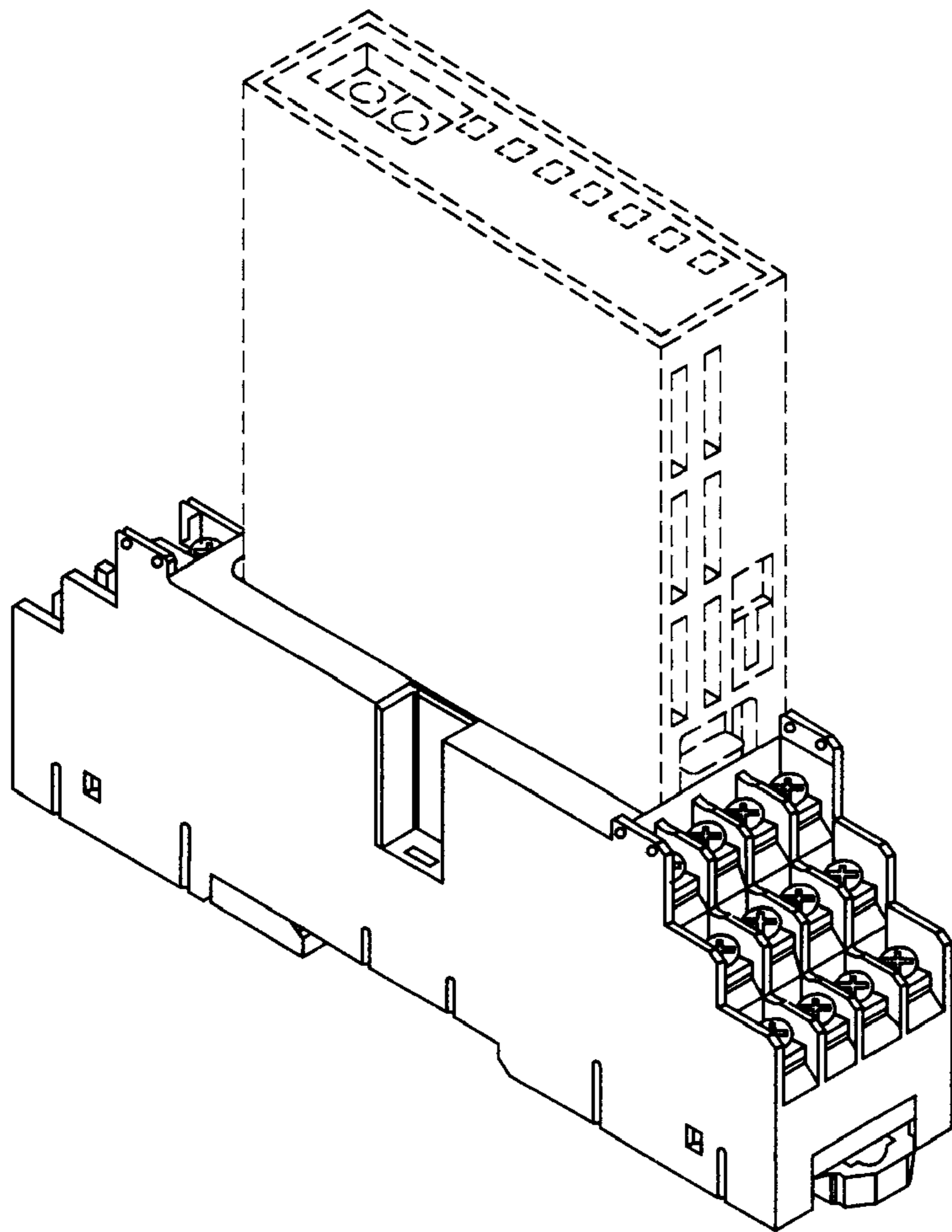


Fig. 9