



US00D472877S

(12) **United States Design Patent**
Jaag

(10) **Patent No.:** **US D472,877 S**

(45) **Date of Patent:** **** Apr. 8, 2003**

(54) **CONNECTING TERMINAL ASSEMBLY**

(75) **Inventor:** **Dieter Jaag**, General-Horn-Strasse 3,
D-78050 Villingen-Schwenningen (DE)

(73) **Assignee:** **Dieter Jaag**, Villingen-Schwenningen
(DE)

(**) **Term:** **14 Years**

(21) **Appl. No.:** **29/151,552**

(22) **Filed:** **Nov. 7, 2001**

Related U.S. Application Data

(63) Continuation of application No. 09/567,167, filed on May 8,
2000.

(51) **LOC (7) Cl.** **13-03**

(52) **U.S. Cl.** **D13/133**

(58) **Field of Search** D13/133, 154;
439/717, 721, 725

(56) **References Cited**

U.S. PATENT DOCUMENTS

- 3,247,480 A * 4/1966 Orzechowski 429/717
- 3,973,822 A * 8/1976 Sugimoto 439/725
- 3,999,829 A * 12/1976 Glaesel 439/437
- 4,759,726 A * 7/1988 Naylor et al. 439/725 X

- 5,318,461 A * 6/1994 Frikkee et al. 439/715
- 5,860,829 A * 1/1999 Hower et al. 439/417
- D419,965 S * 2/2000 Carpenter, Jr. D13/178
- 2001/0024911 A1 * 9/2001 Bre' et al. 439/717

* cited by examiner

Primary Examiner—Joel Sincavage

(74) *Attorney, Agent, or Firm*—Eugene E. Renz, Jr., P.C.

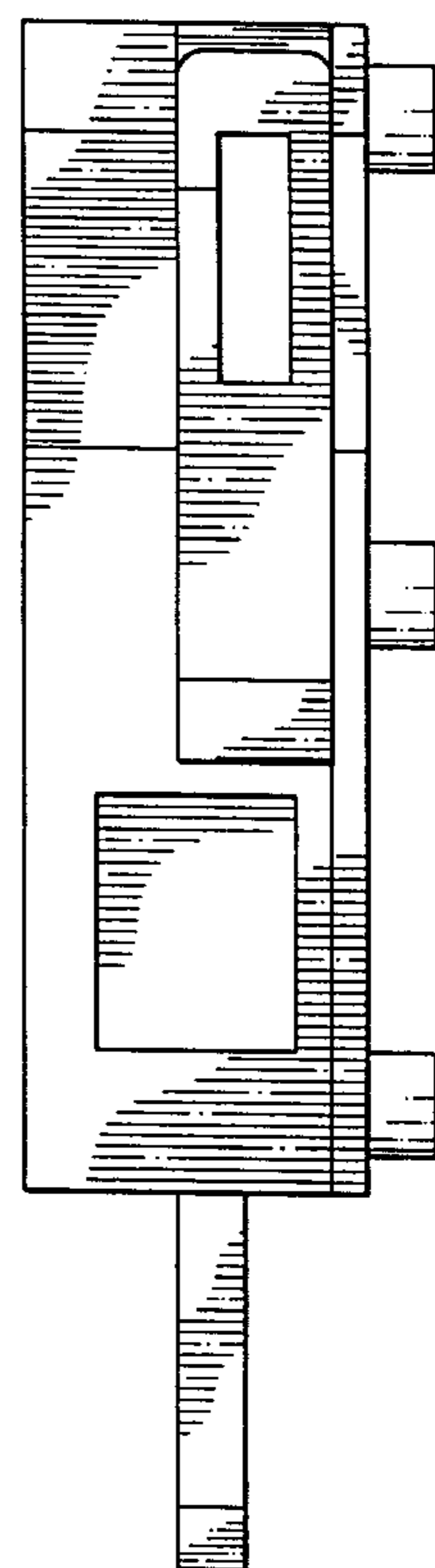
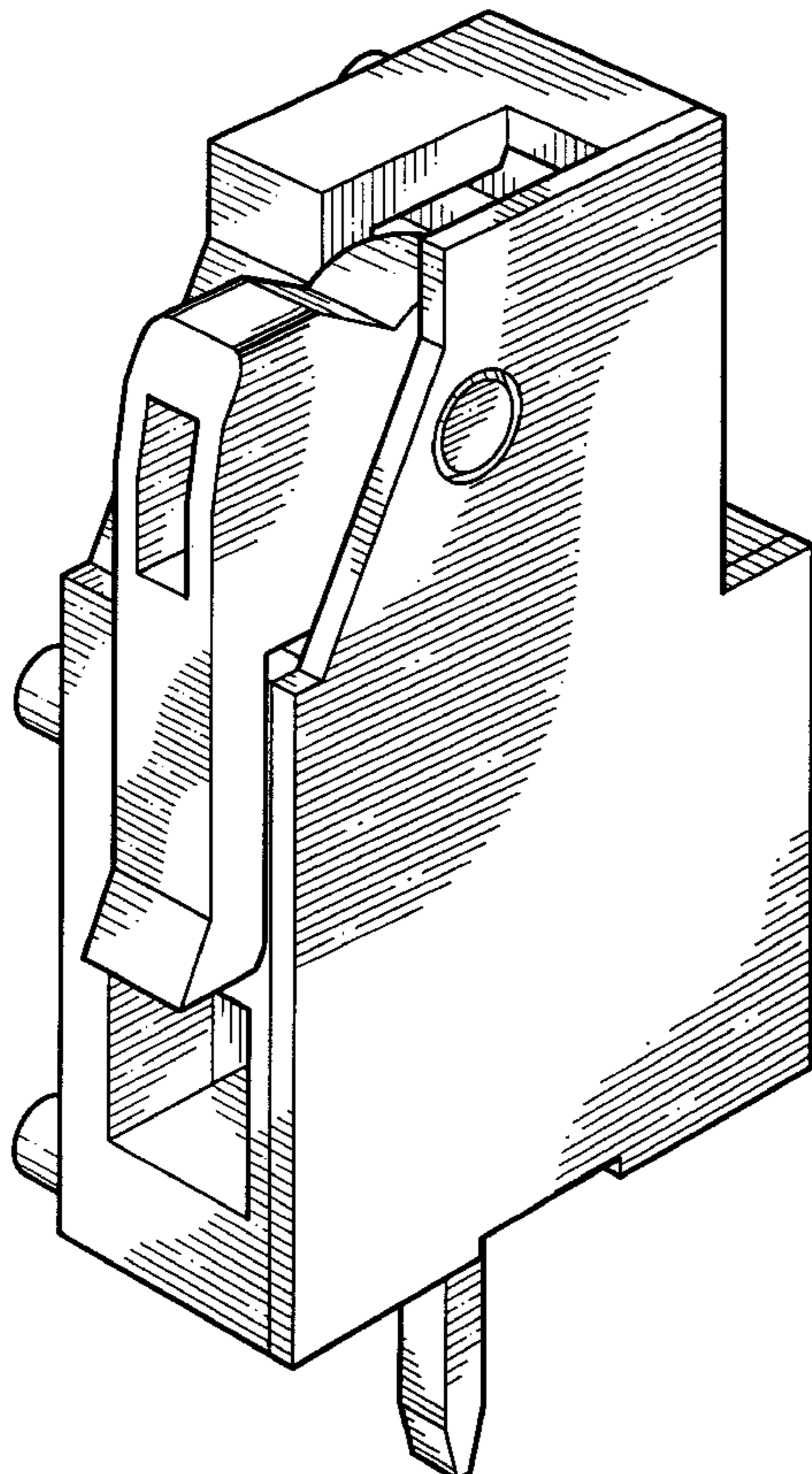
(57) **CLAIM**

The ornamental design for a connecting terminal assembly,
as shown and described.

DESCRIPTION

FIG. 1 is a perspective view of my design for connecting terminal assembly;
 FIG. 2 is a side elevational view of my design for a connecting terminal assembly;
 FIG. 3 is another side view opposite that shown in FIG. 2 of my design for connecting terminal assembly;
 FIGS. 4 and 5 are opposite end elevational view of my design for connecting terminal assembly;
 FIG. 6 is a top plane view of my design for connecting terminal assembly; and,
 FIG. 7 is a bottom plane view of my design for connecting terminal assembly.

1 Claim, 5 Drawing Sheets



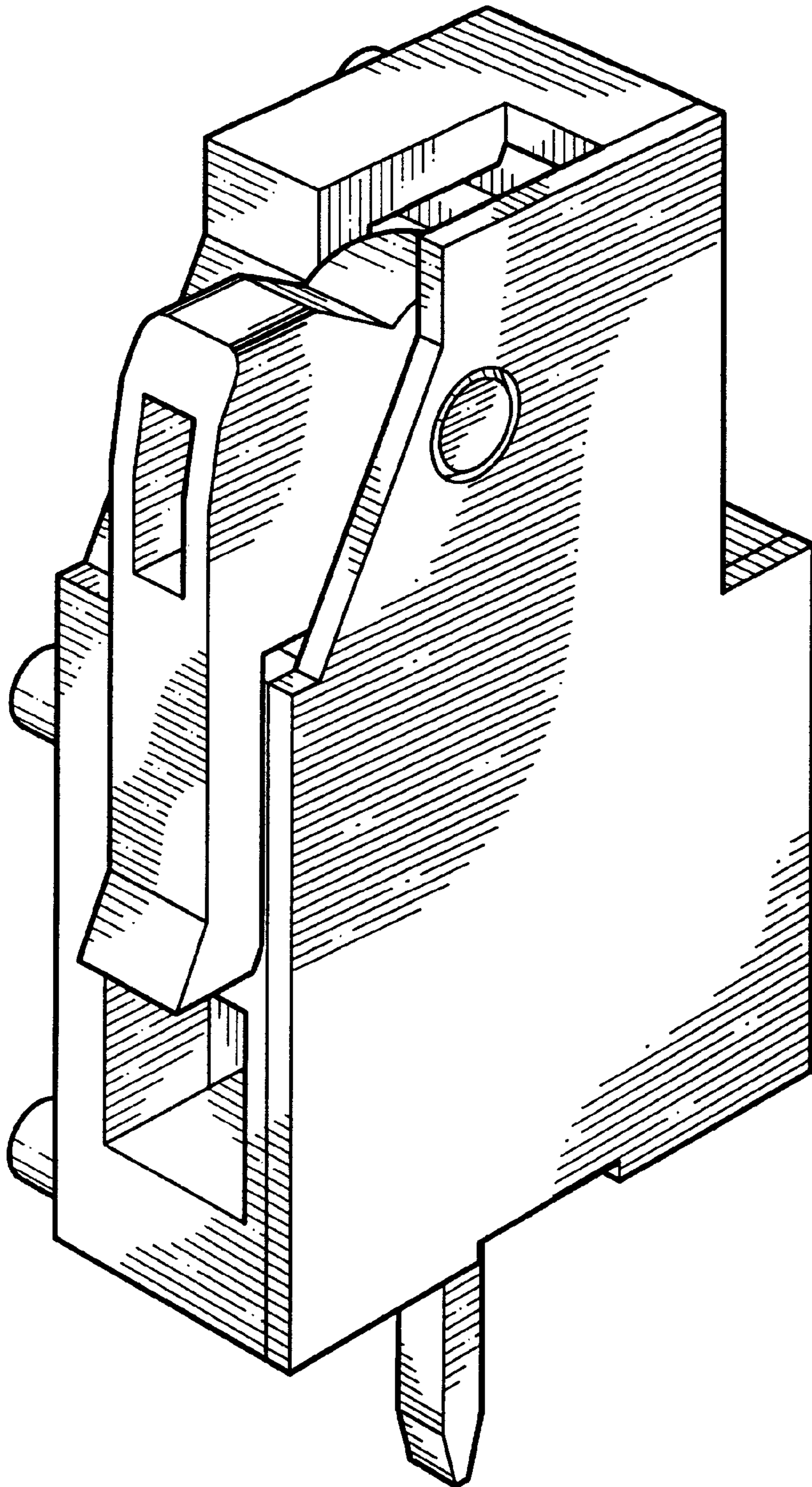


FIG. 1

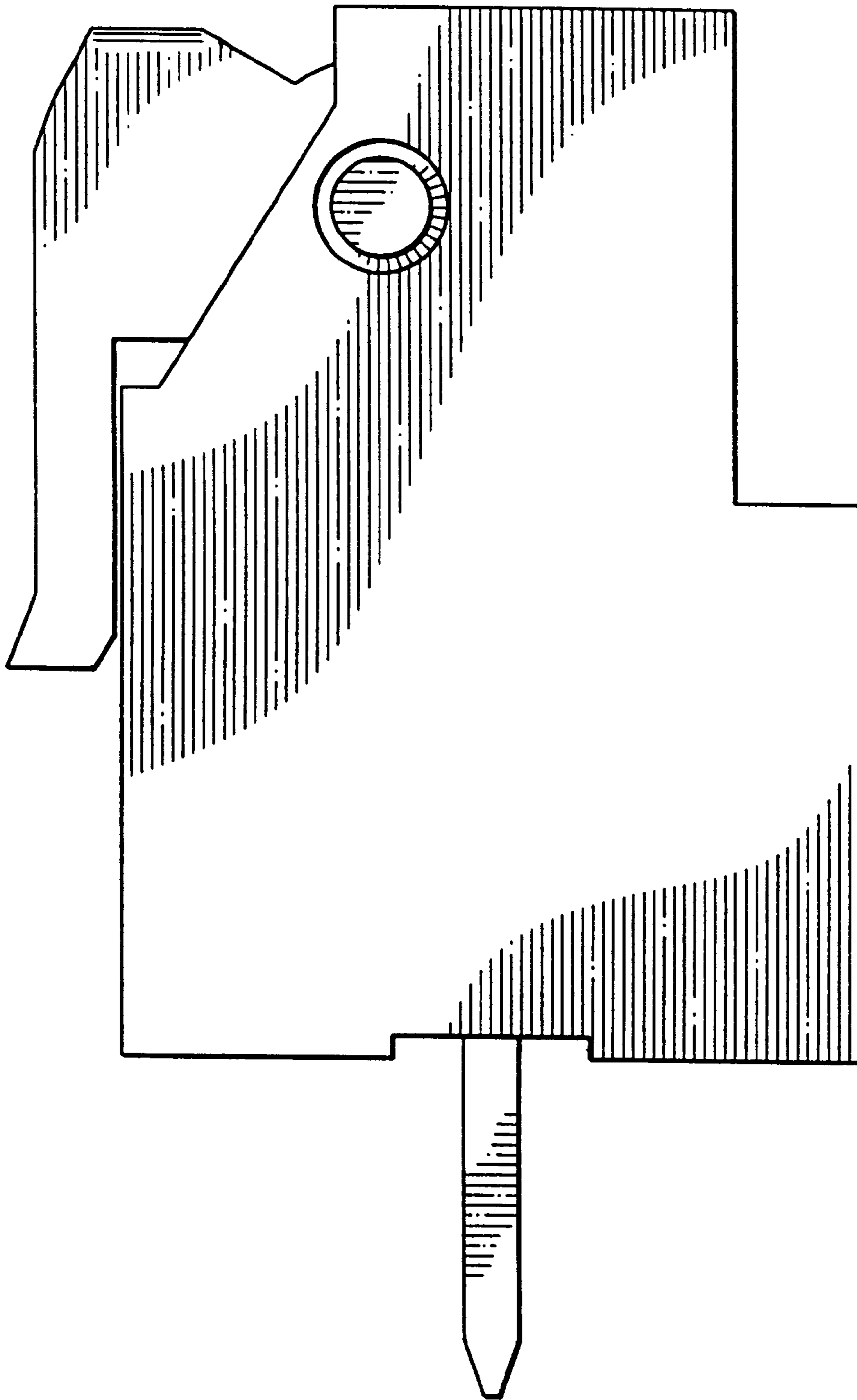


FIG.2

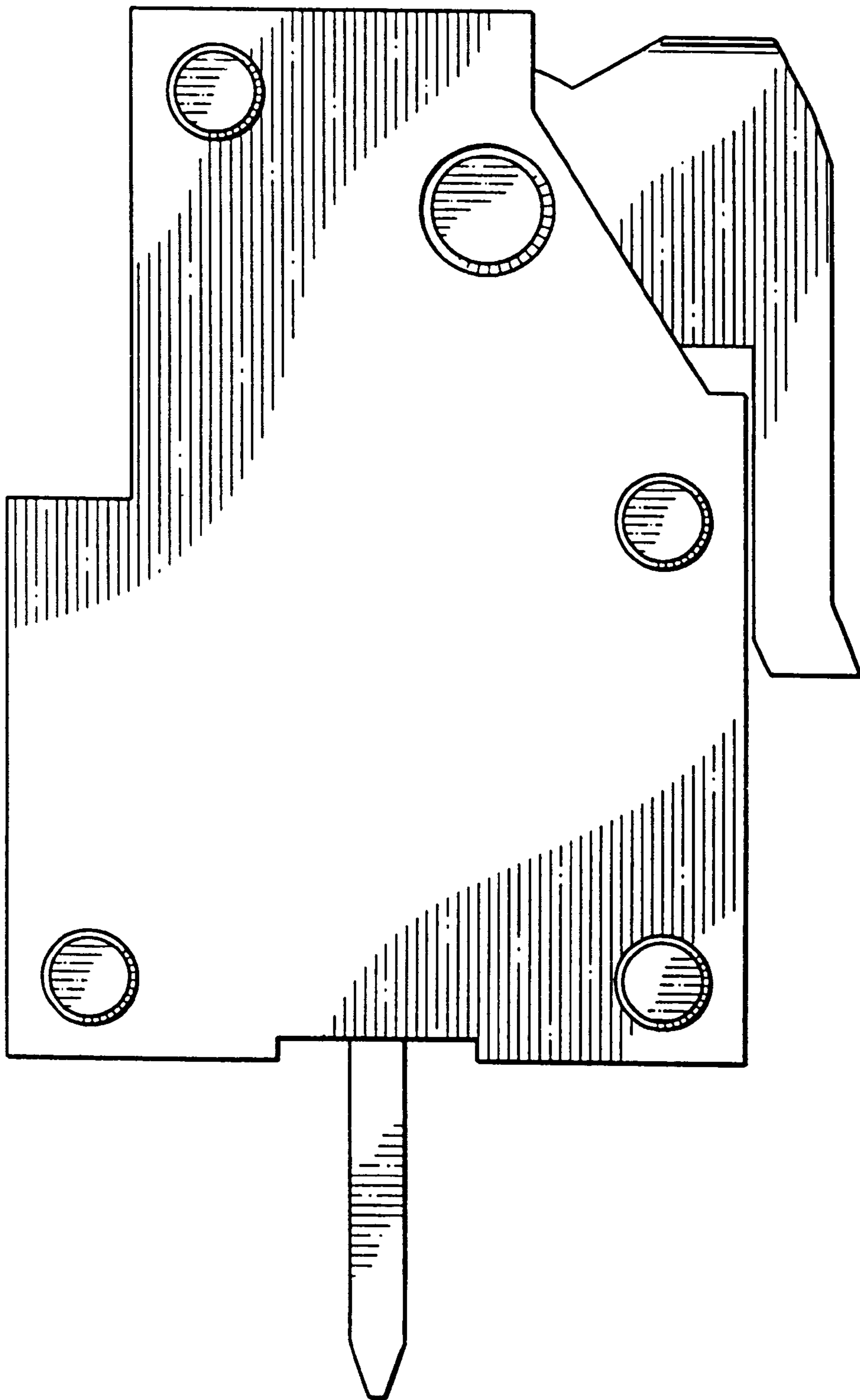


FIG.3

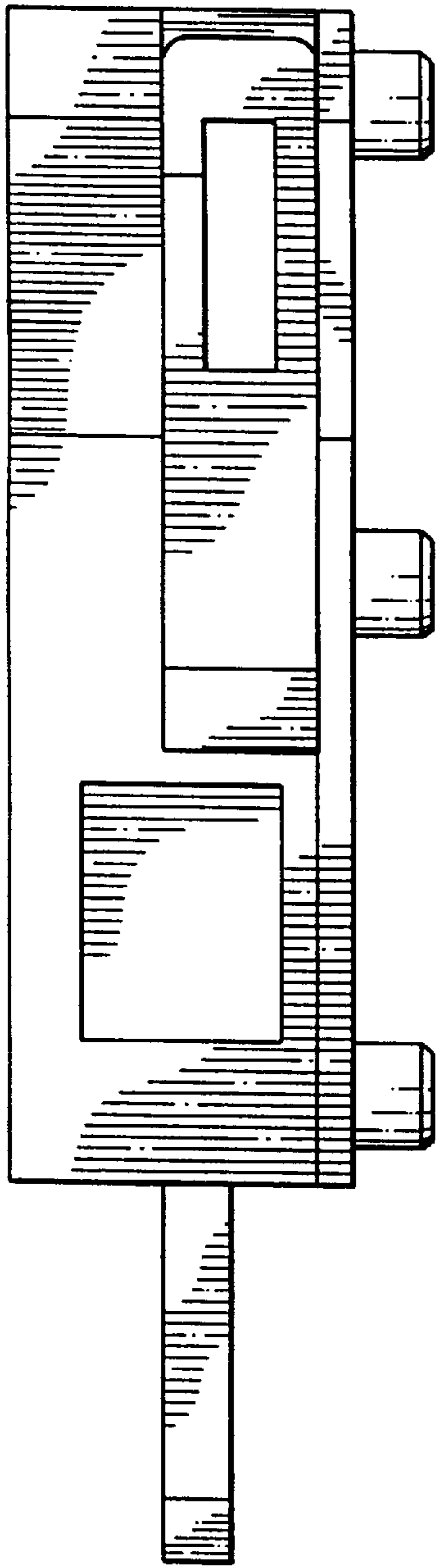


FIG. 4

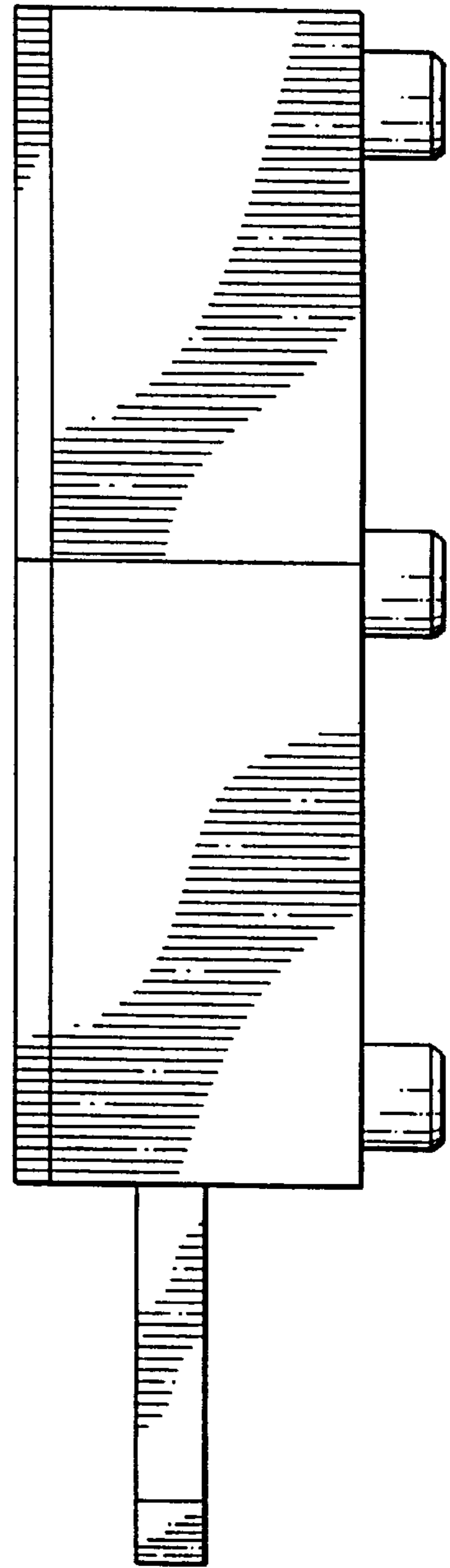


FIG. 5

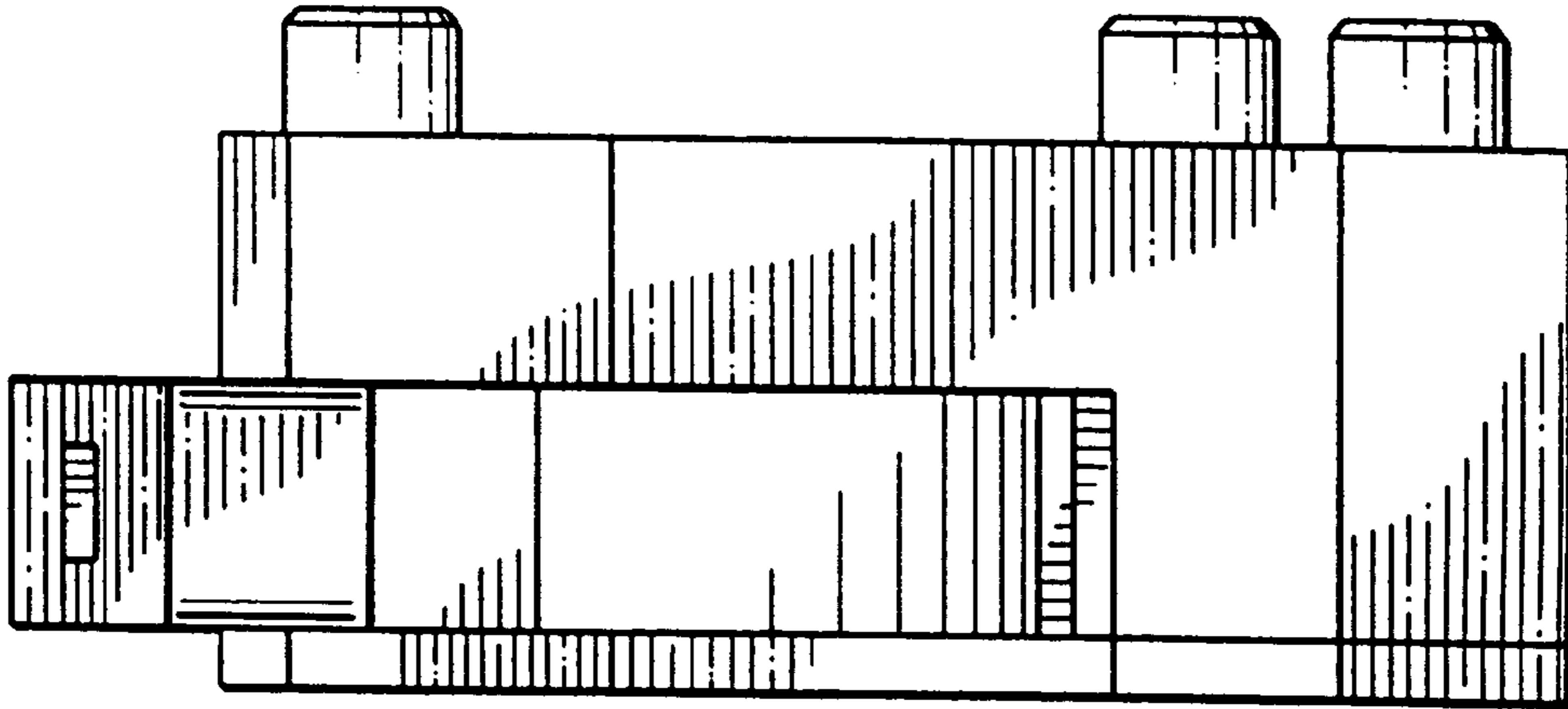


FIG. 6

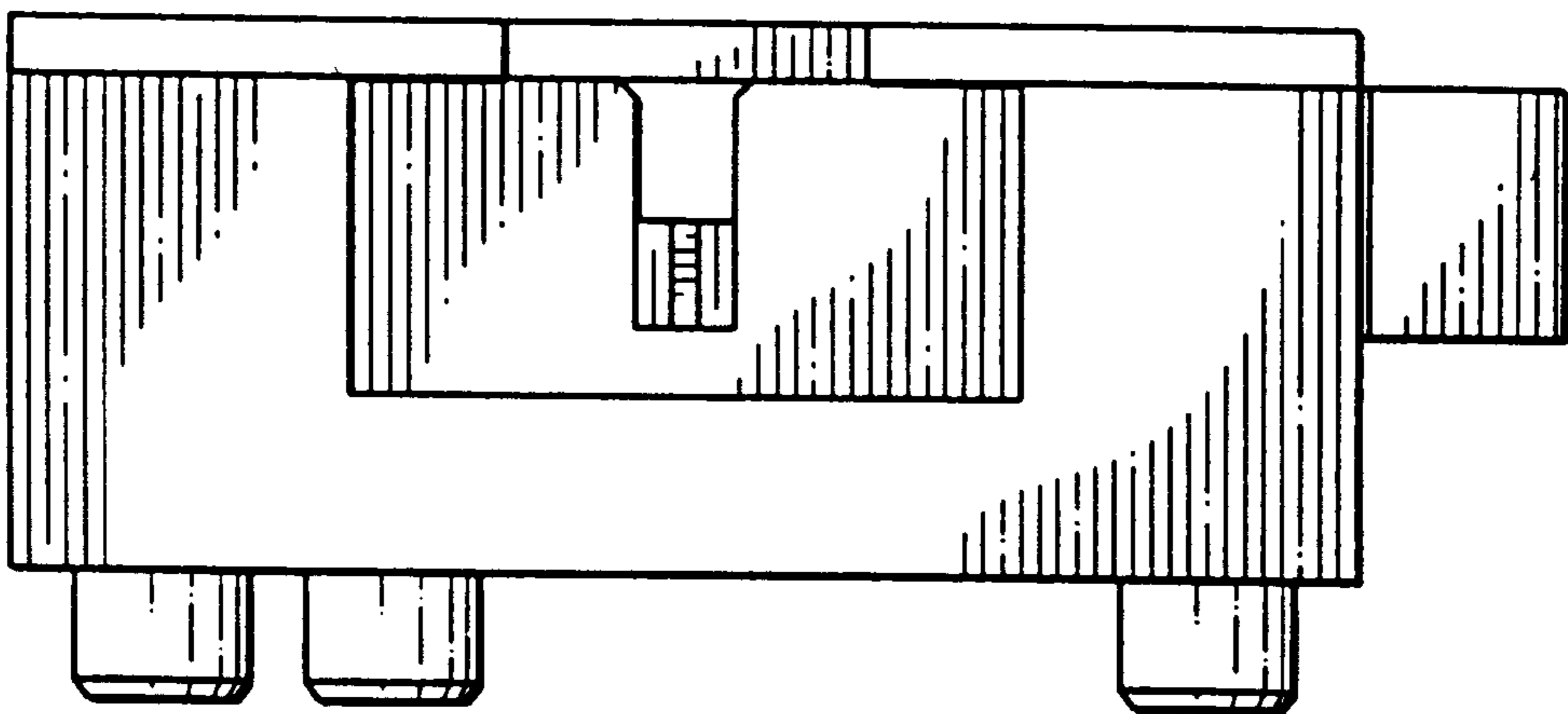


FIG. 7

UNITED STATES PATENT AND TRADEMARK OFFICE
CERTIFICATE OF CORRECTION

PATENT NO. : Des. 472,877 S
DATED : April 8, 2003
INVENTOR(S) : Dieter Jaag

Page 1 of 1

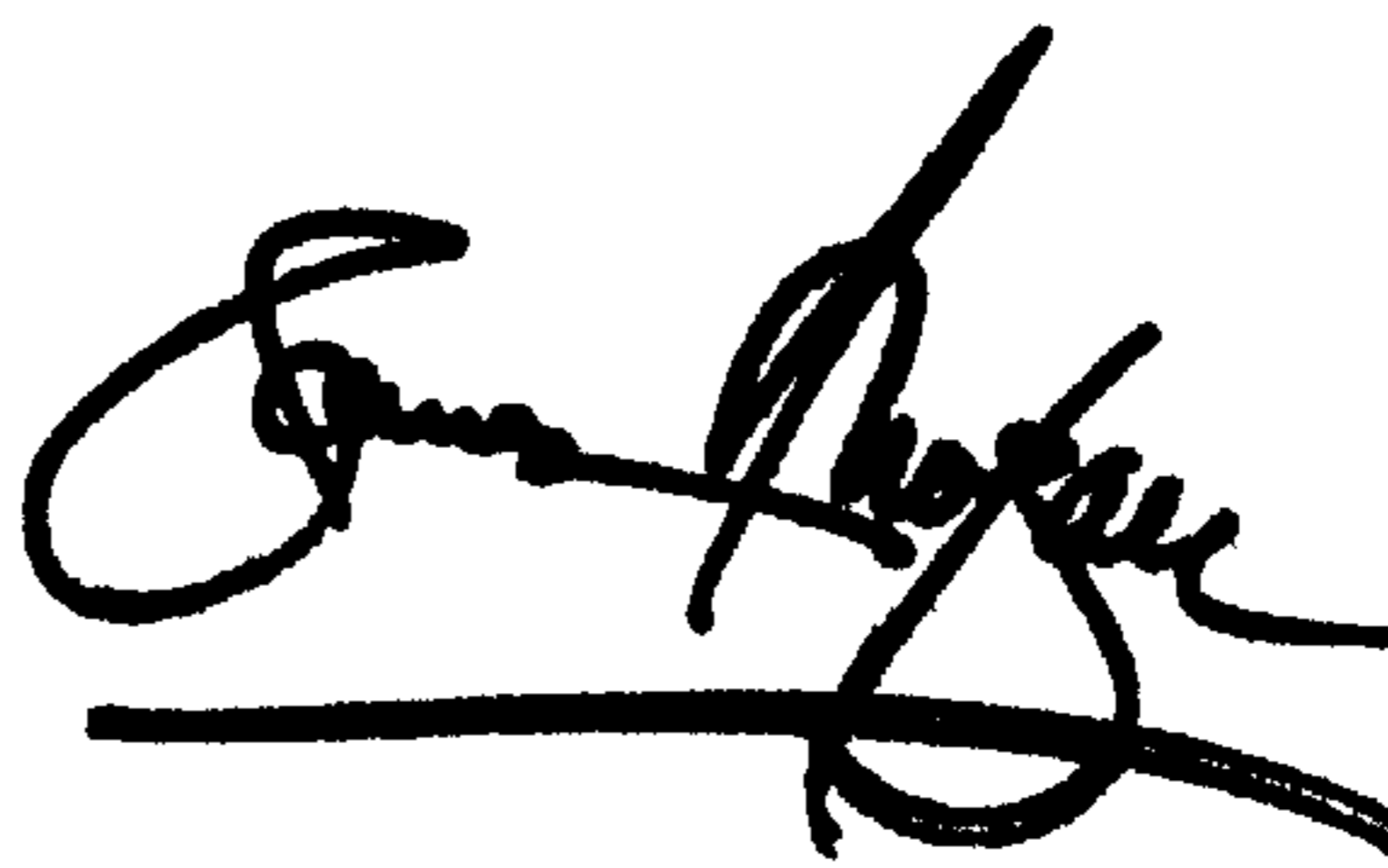
It is certified that error appears in the above-identified patent and that said Letters Patent is hereby corrected as shown below:

Title page,

Item [73], Assignee, should read -- Assignee: **RIA-BTR Produktions GmbH** --

Signed and Sealed this

Fourteenth Day of October, 2003

A handwritten signature in black ink, appearing to read "James E. Rogan", written over a horizontal line.

JAMES E. ROGAN
Director of the United States Patent and Trademark Office