



US00D472871S

(12) **United States Design Patent**
Ramos et al.

(10) **Patent No.:** **US D472,871 S**

(45) **Date of Patent:** **** Apr. 8, 2003**

(54) **CONSOLE**

(75) **Inventors:** **João Marcos de Oliveira Ramos, São Paulo (BR); Ehab Kaoud, Hutton (GB)**

(73) **Assignee:** **Ford Global Technologies, Inc., Dearborn, MI (US)**

(**) **Term:** **14 Years**

(21) **Appl. No.:** **29/159,387**

(22) **Filed:** **Apr. 19, 2002**

(30) **Foreign Application Priority Data**

Oct. 22, 2001 (BR) DI 6103028

(51) **LOC (7) Cl.** **12-16**

(52) **U.S. Cl.** **D12/419**

(58) **Field of Search** D12/415, 419, D12/423-426.1; 248/311.1-311.2; 296/37.1, 37.6-37.8, 37.13-37.16; D7/553.3-553.5, 605, 619-620, 701-708; 108/43-46, 132, 147, 157; D3/905; 224/42.11, 42.24, 42.25, 275-277, 400

(56) **References Cited**

U.S. PATENT DOCUMENTS

D249,263 S * 9/1978 Neece D12/419

D271,541 S * 11/1983 Rockwell D12/419
D307,355 S * 4/1990 Page, Jr. D12/419
D328,973 S * 9/1992 Mankey D12/419
D368,889 S * 4/1996 Mankey et al. D12/419
D390,186 S * 2/1998 Smith D12/419
D396,844 S * 8/1998 Smith D12/419
D425,012 S * 5/2000 Bergin D12/419
D456,760 S * 5/2002 Hoy D12/419
D456,761 S * 5/2002 Hoy D12/419

* cited by examiner

Primary Examiner—Stacia Cadmus

(74) *Attorney, Agent, or Firm*—David B. Kelley

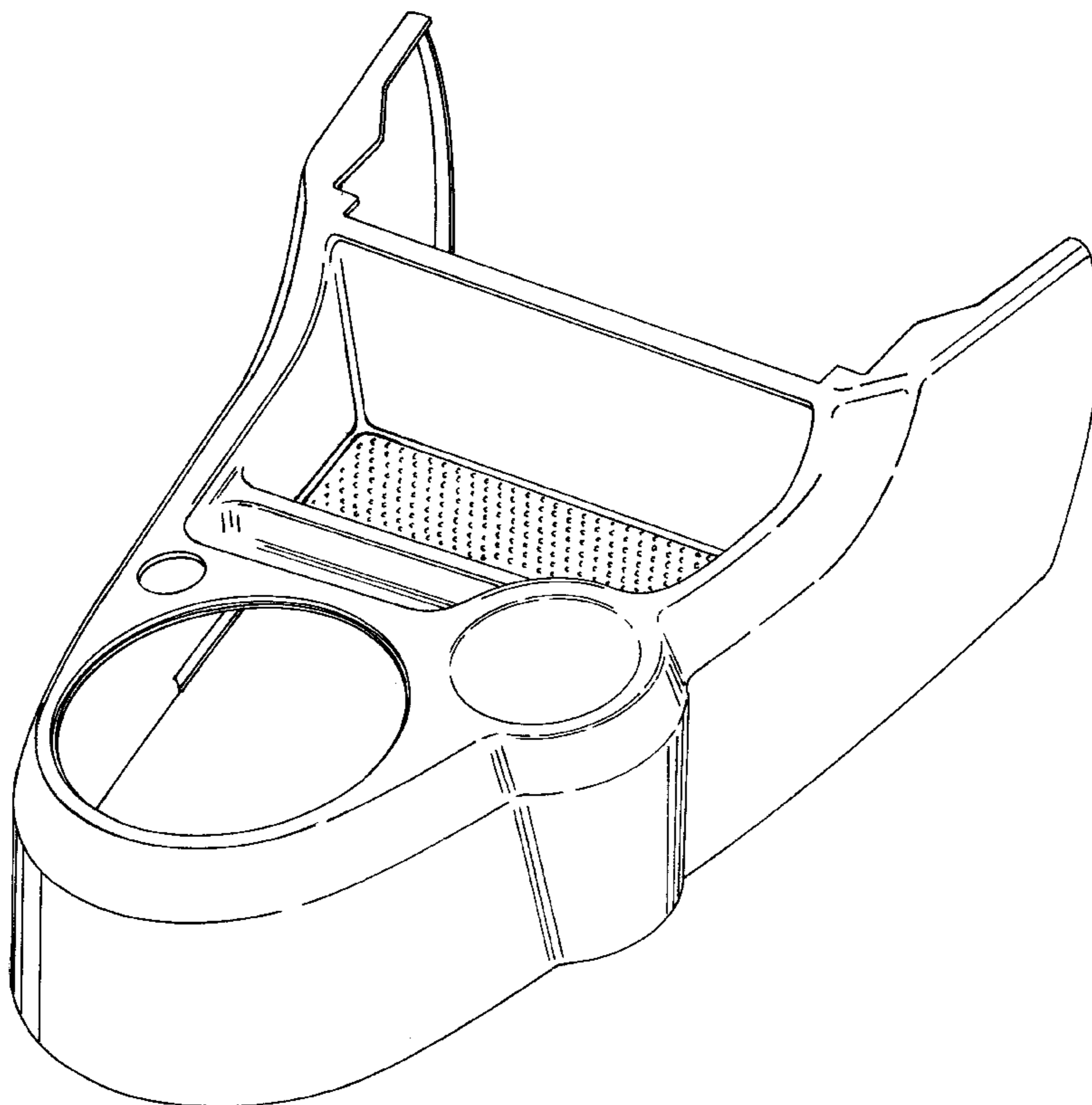
(57) **CLAIM**

The ornamental design for a console, as shown and described.

DESCRIPTION

FIG. 1 is a perspective view of a console;
FIG. 2 is a top view of FIG. 1;
FIG. 3 is a front side view of FIG. 1;
FIG. 4 is a left side view of FIG. 1;
FIG. 5 is a right side view of FIG. 1;
FIG. 6 is a back view of FIG. 1; and,
FIG. 7 is a bottom view of FIG. 1.
The broken line showing of environment is for illustrative purposes only and forms no part of the claimed design.

1 Claim, 6 Drawing Sheets



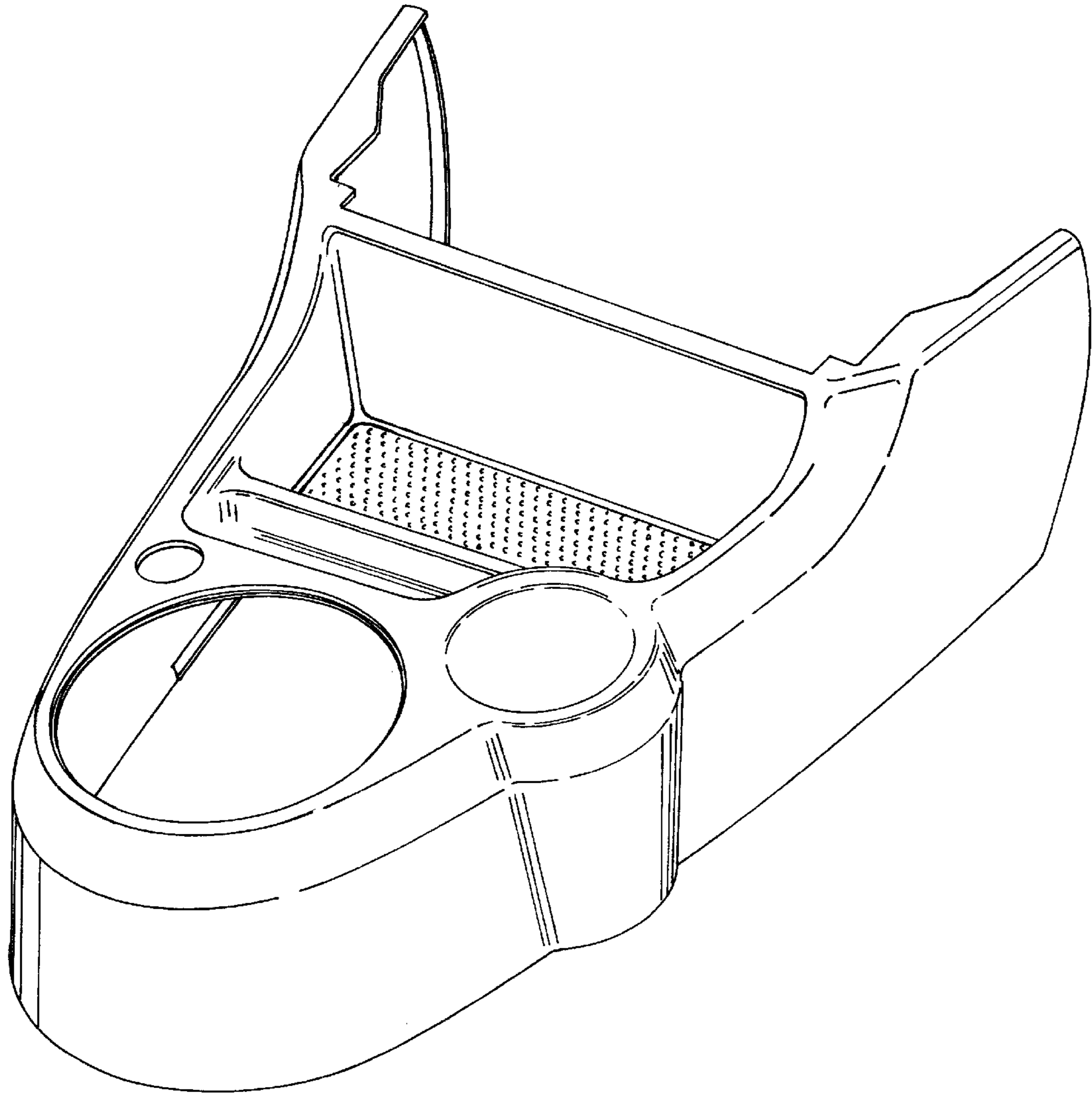


FIG. 1

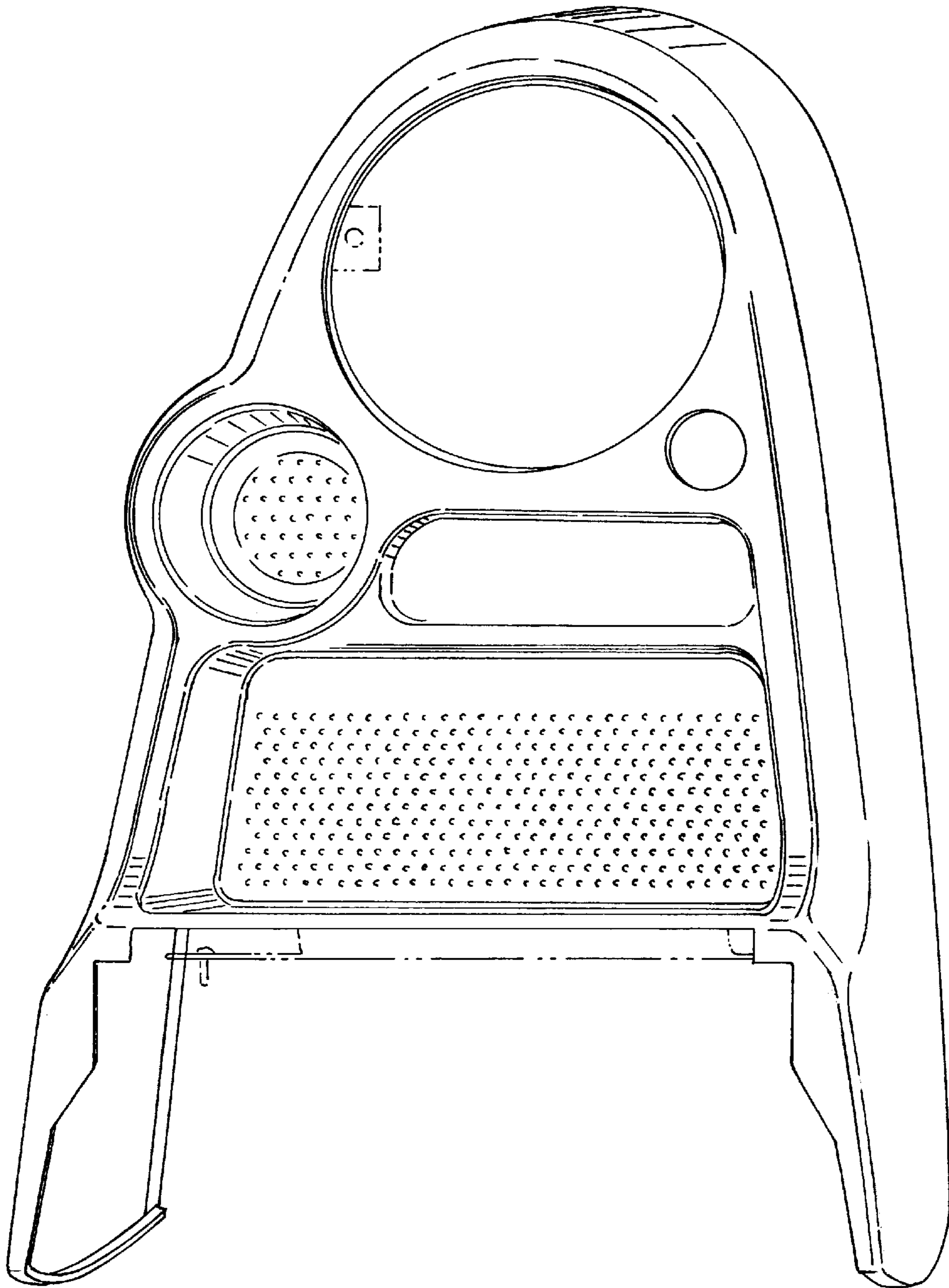


FIG. 2

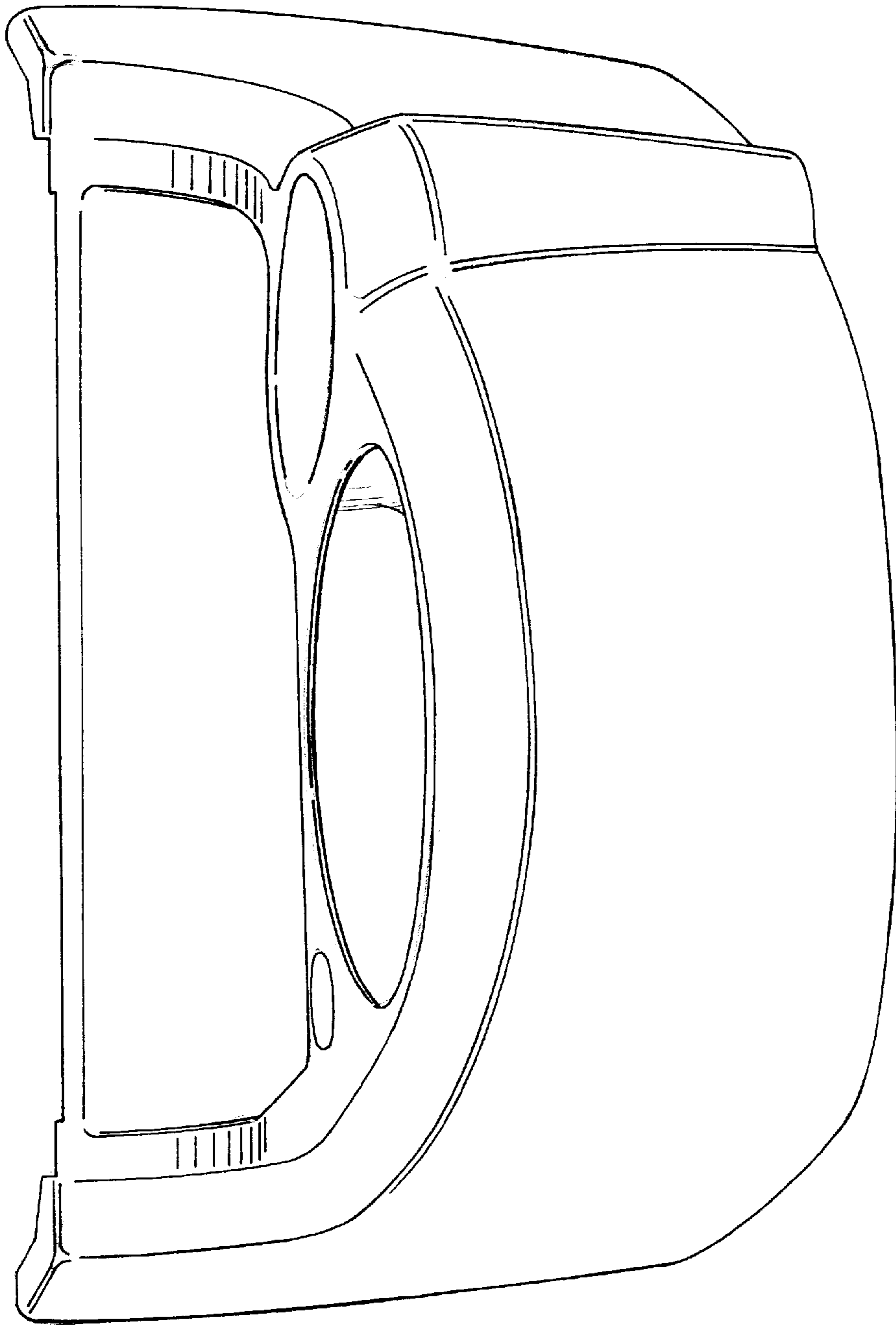


FIG. 3

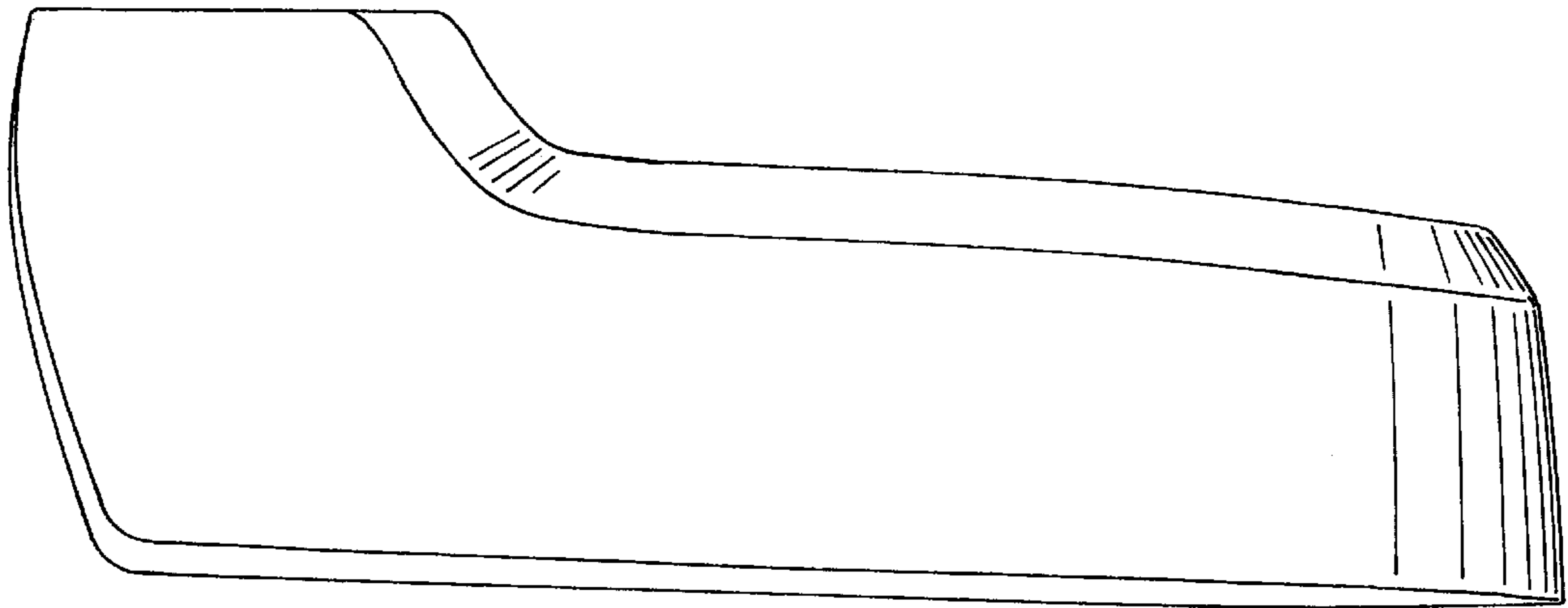


FIG. 4

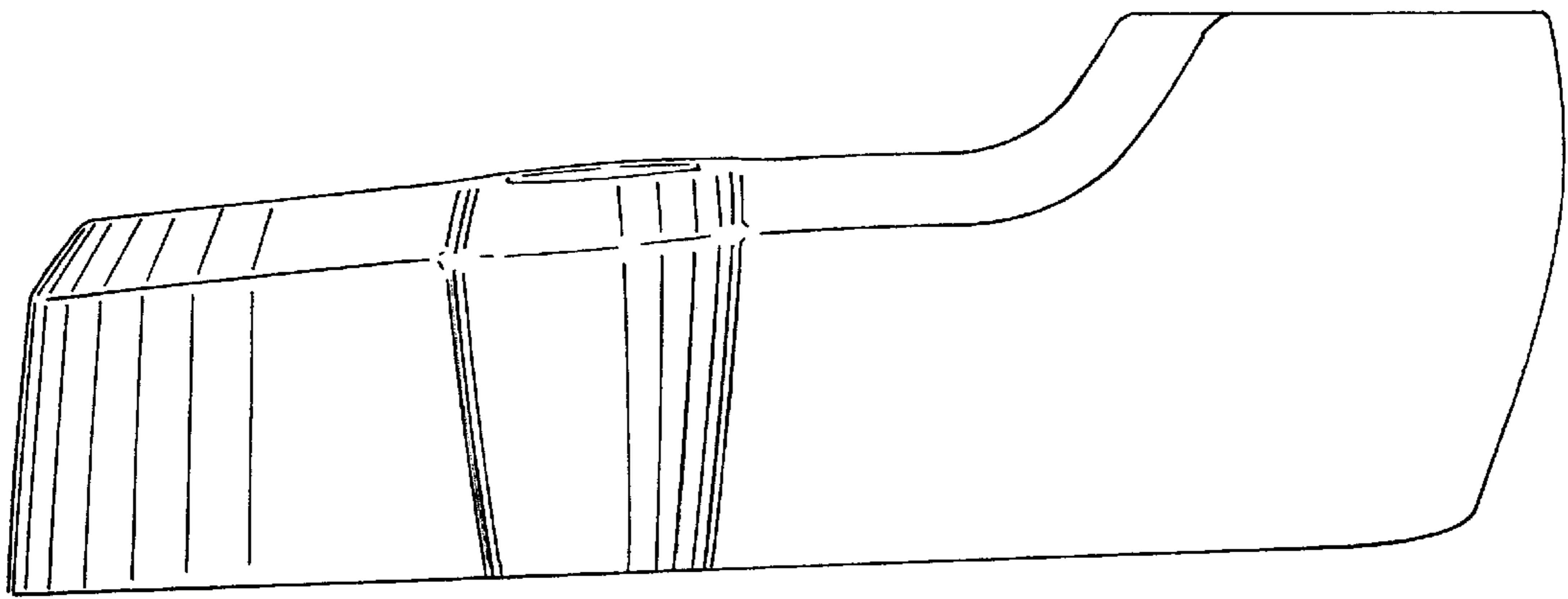


FIG. 5

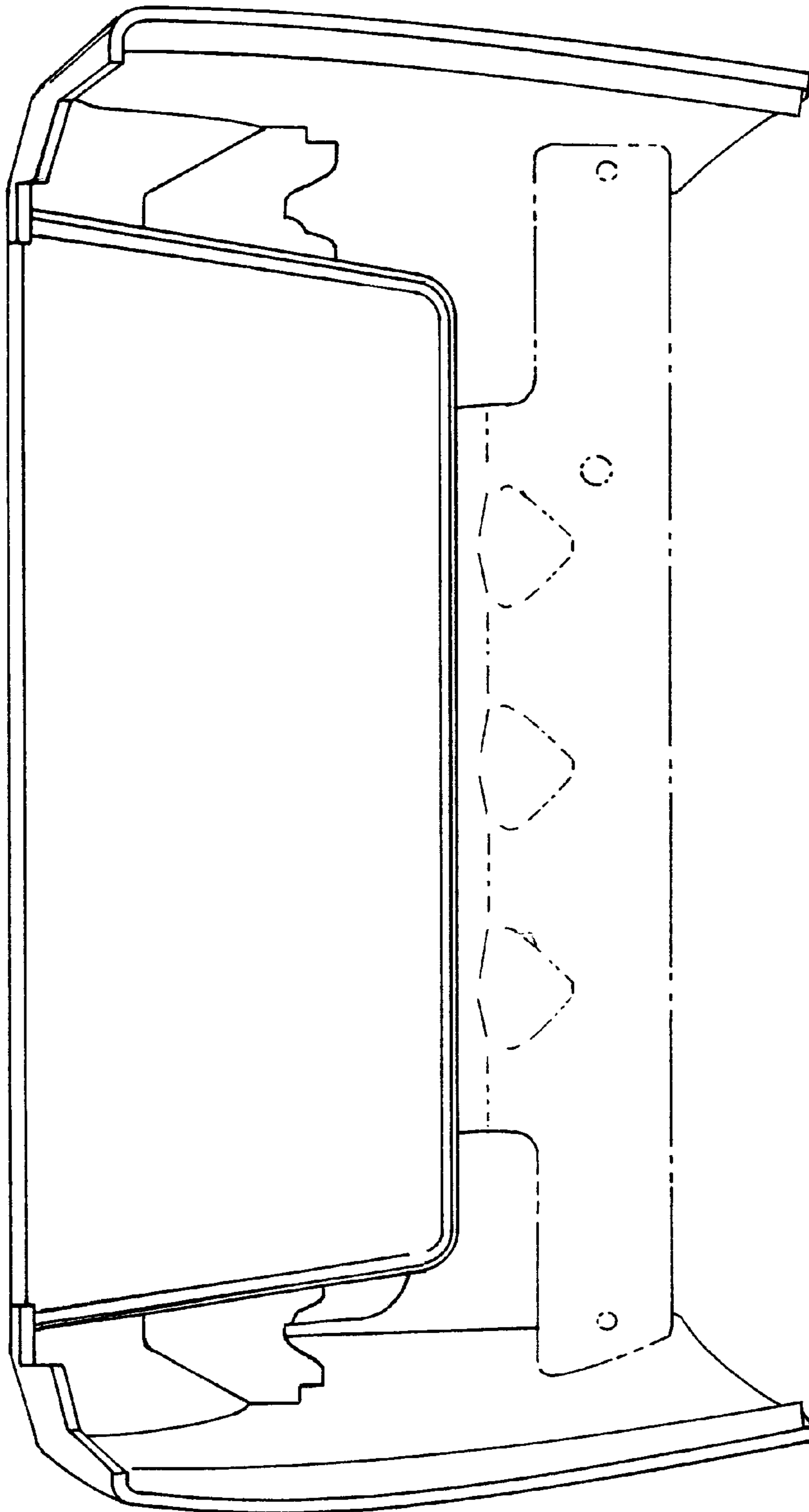


FIG. 6

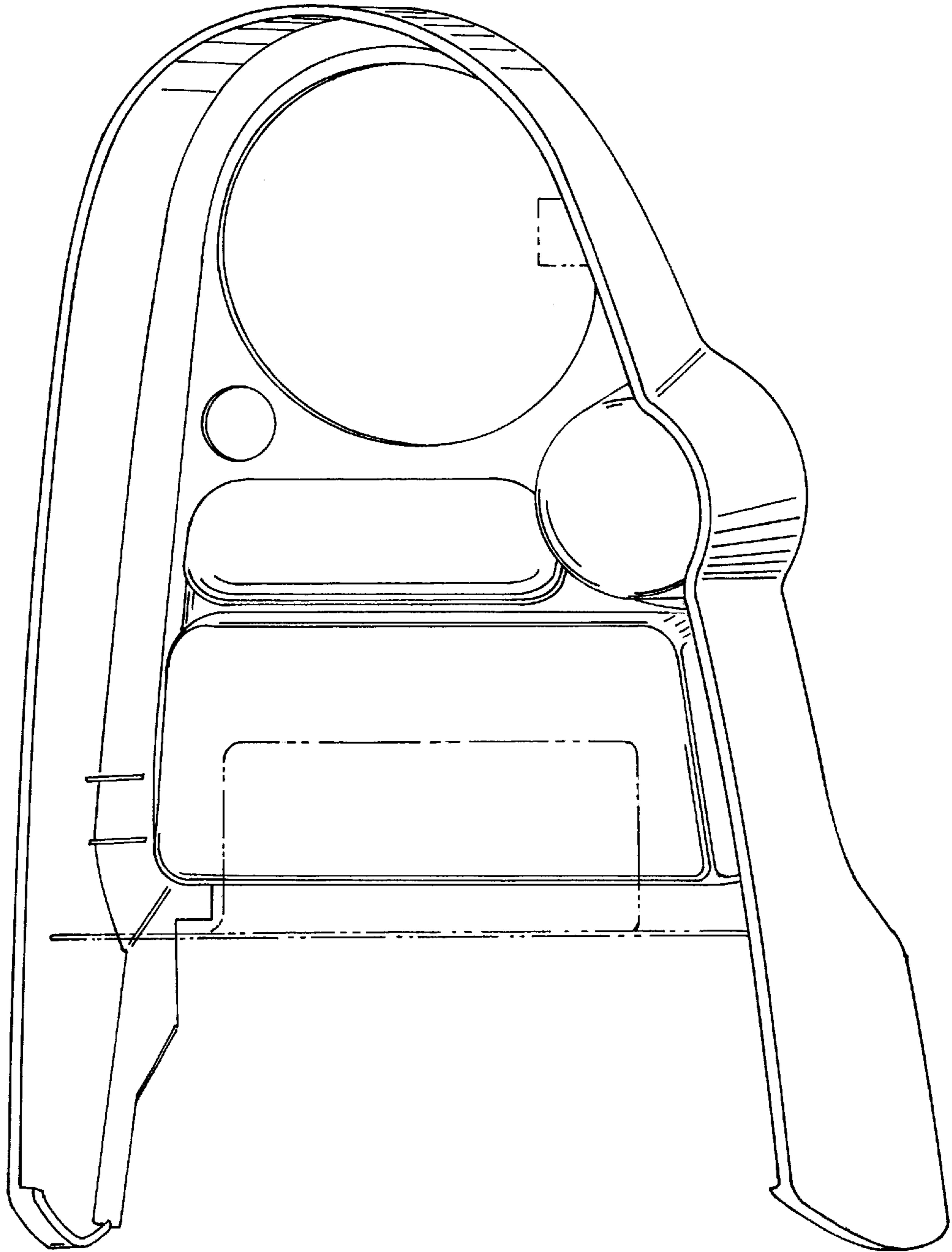


FIG. 7