



US00D472870S

(12) **United States Design Patent**
Friedrich

(10) **Patent No.:** **US D472,870 S**

(45) **Date of Patent:** **** Apr. 8, 2003**

(54) **SURFACE CONFIGURATION OF A
HARDTOP FOR A VEHICLE**

D385,845 S * 11/1997 Wagner D12/201
D432,074 S * 10/2000 Harris D12/404
D438,167 S 2/2001 Goplen D12/404

(75) Inventor: **Gerhard Friedrich, Munich (DE)**

* cited by examiner

(73) Assignee: **Bayerische Motoren Werke
Aktiengesellschaft, Munich (DE)**

Primary Examiner—Stacia Cadmus

(74) *Attorney, Agent, or Firm*—Crowell & Moring LLP

(**) Term: **14 Years**

(57) **CLAIM**

(21) Appl. No.: **29/164,999**

The ornamental design for a surface configuration of a hardtop for a vehicle, as shown and described.

(22) Filed: **Aug. 5, 2002**

DESCRIPTION

(51) **LOC (7) Cl.** **12-16**

(52) **U.S. Cl.** **D12/404**

(58) **Field of Search** D12/401, 404-405,
D12/93, 98, 91, 100, 86; 296/10, 102-103,
108, 136, 163, 183-185, 210, 220.01, 107,
218, 224, 216, 222

FIG. 1 is a right, front perspective view of a surface configuration of a hardtop for a vehicle according to my novel design, the left, front perspective view being mirror symmetrical;

FIG. 2 is a right side view of the surface configuration of a hardtop for a vehicle according to my novel design, the left side view being mirror symmetrical;

FIG. 3 is a right, rear perspective view of the surface configuration of a hardtop for a vehicle according to my novel design, the left, rear perspective view being mirror symmetrical; and,

FIG. 4 is a top view of the surface configuration of a hardtop for a vehicle according to my novel design.

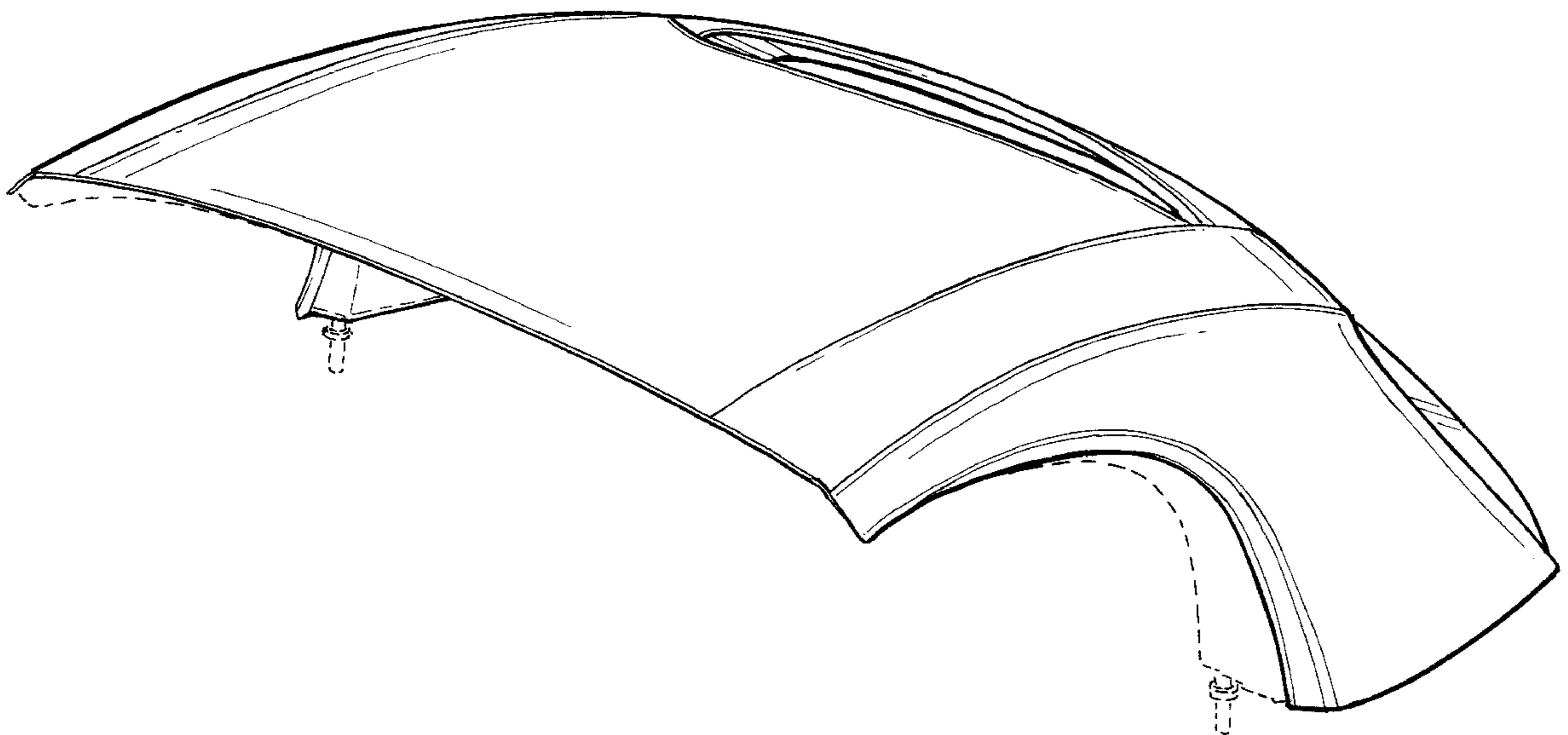
The dash lines included depict environment and are not part of the claimed design.

(56) **References Cited**

U.S. PATENT DOCUMENTS

D147,001 S * 6/1947 Wormer D12/404
D159,335 S * 7/1950 Graham D12/404
D205,132 S * 6/1966 Porsche D12/404
D249,497 S * 9/1978 Slider D12/401
D266,412 S * 10/1982 Deaver D12/401
D291,552 S * 8/1987 Muscat D12/404
D324,196 S * 2/1992 Muth D12/401
D352,494 S * 11/1994 Hubbach et al. D12/401

1 Claim, 3 Drawing Sheets



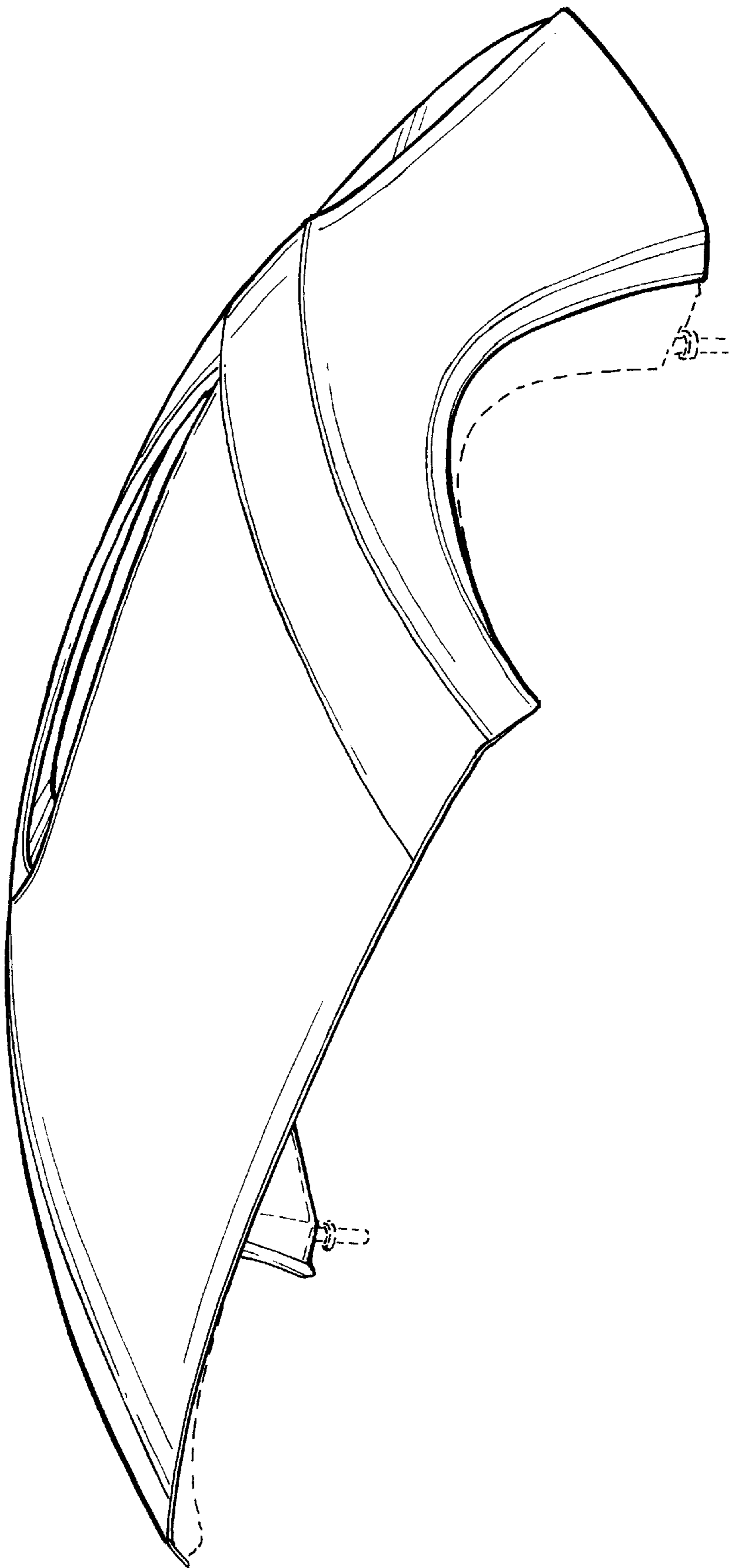


FIG. 1

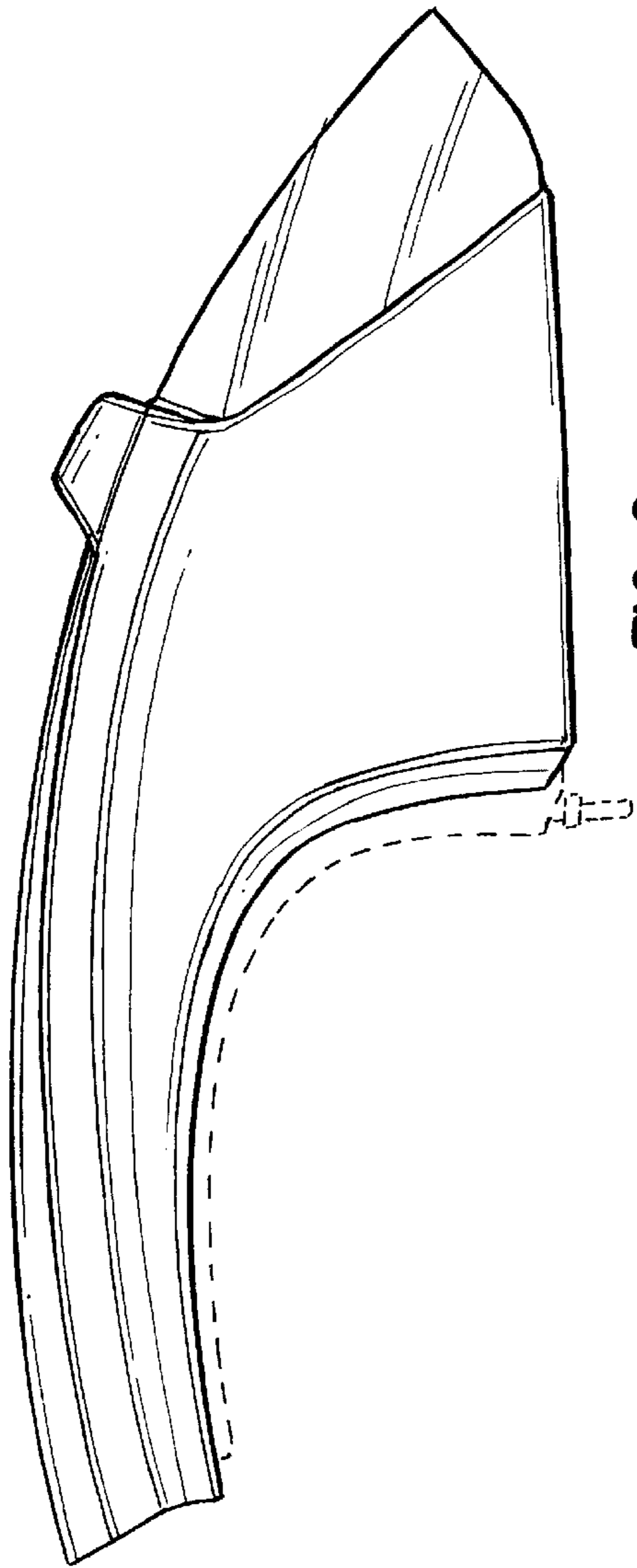


FIG. 2

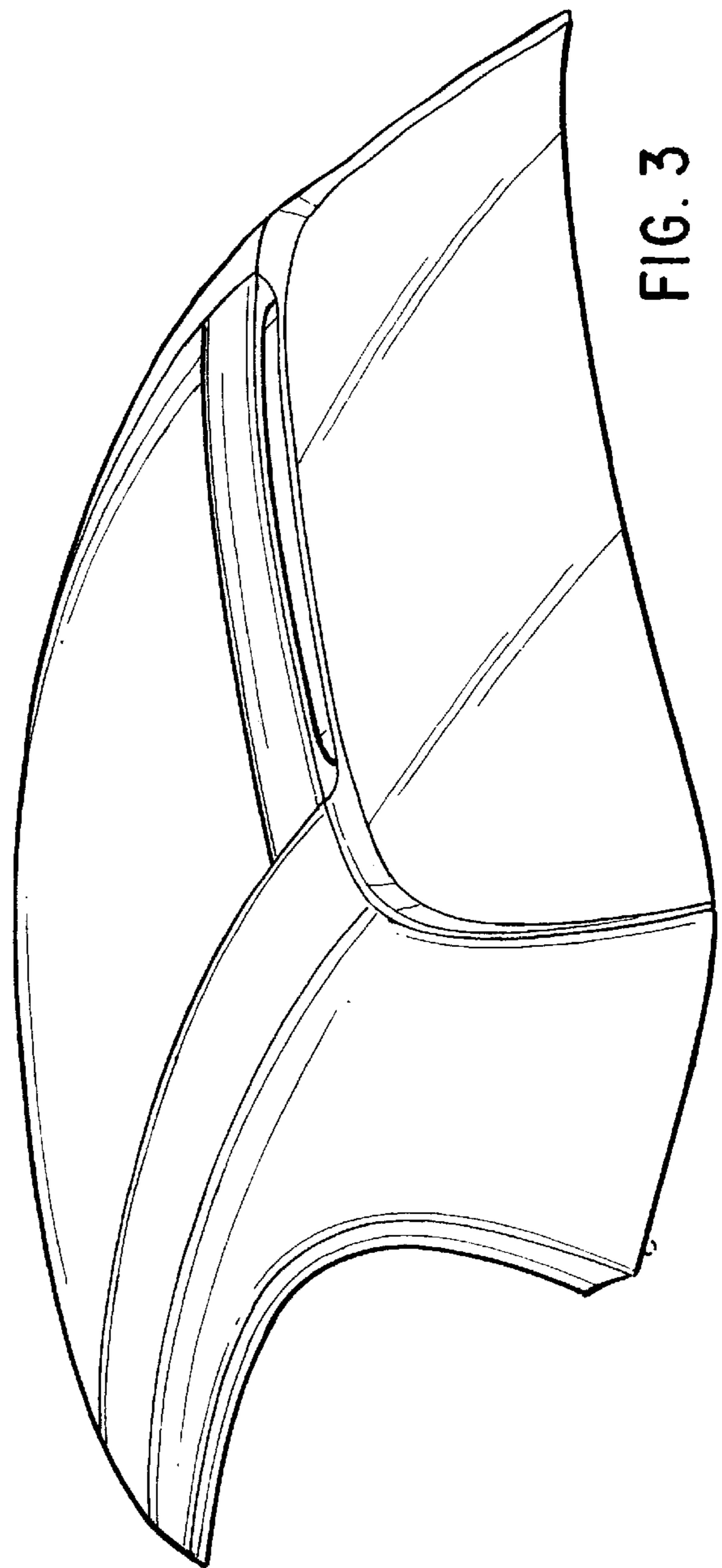


FIG. 3

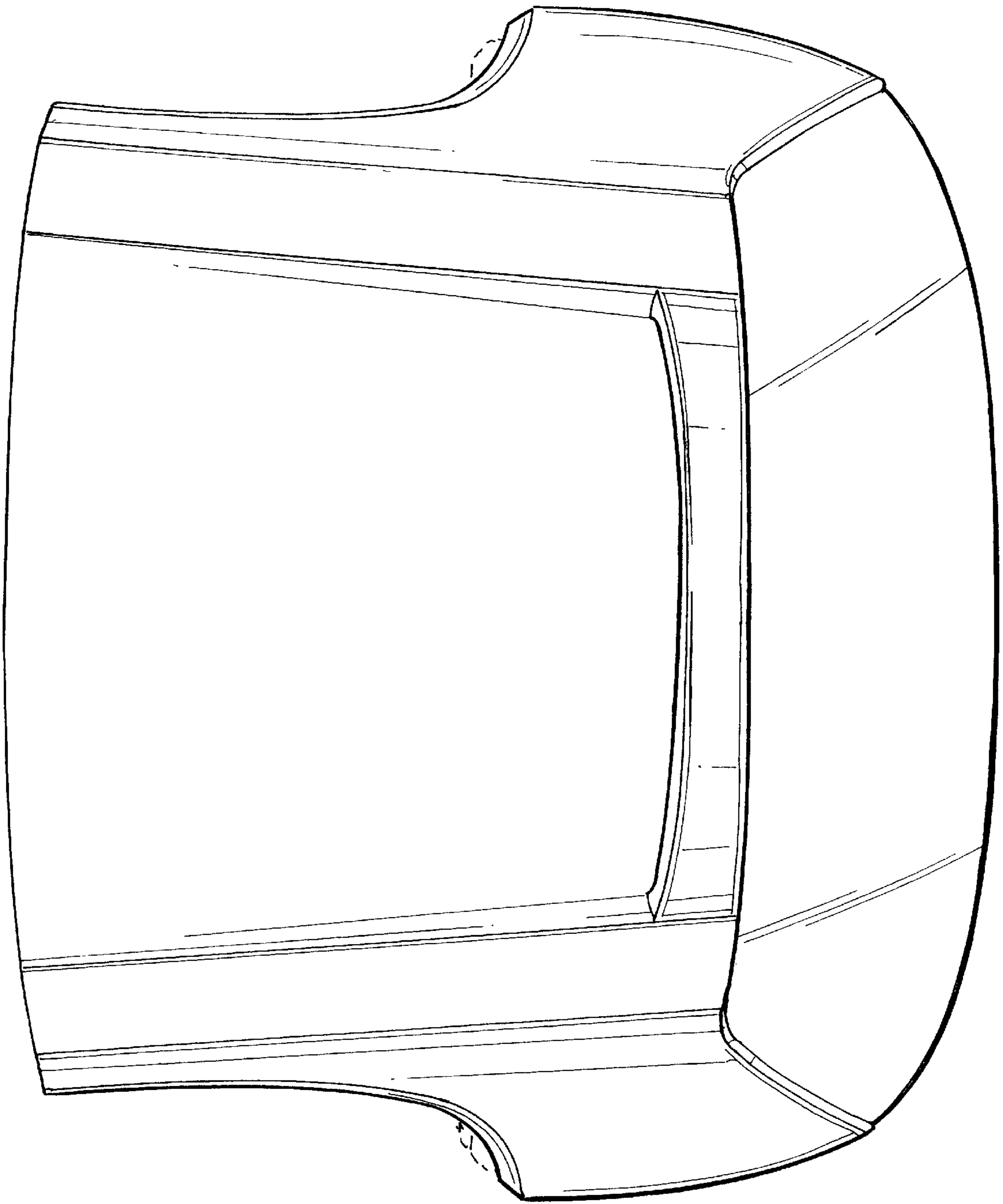


FIG. 4