



US00D472866S

(12) **United States Design Patent**  
**Pfeiffer et al.**

(10) **Patent No.:** **US D472,866 S**

(45) **Date of Patent:** **\*\* Apr. 8, 2003**

(54) **FRONT FACE OF A VEHICLE WHEEL**

(75) **Inventors:** **Peter Pfeiffer**, Boeblingen (DE); **Murat Guenak**, Ehningen (DE); **Stephen Mattin**, Sindelfingen (DE); **Christopher Benjamin**, Newport Beach, CA (US); **Clive Hartley**, Stuttgart (DE)

(73) **Assignee:** **DaimlerChrysler AG**, Stuttgart (DE)

(\*\*) **Term:** **14 Years**

(21) **Appl. No.:** **29/162,551**

(22) **Filed:** **Jun. 19, 2002**

(30) **Foreign Application Priority Data**

Dec. 24, 2001 (DE) ..... 4 01 11 149

(51) **LOC (7) Cl.** ..... **12-16**

(52) **U.S. Cl.** ..... **D12/211**

(58) **Field of Search** ..... D12/204-211;  
301/37.101, 64.101, 65

(56) **References Cited**

**U.S. PATENT DOCUMENTS**

D361,547 S	*	8/1995	Weld	.....	D12/211
D398,573 S	*	9/1998	Cattaneo	.....	D12/211
D412,692 S	*	8/1999	Hussaini	.....	D12/209
D418,794 S	*	1/2000	Chung	.....	D12/209
D422,258 S	*	4/2000	Hale, Jr.	.....	D12/211
D427,555 S	*	7/2000	Hall	.....	D12/209

D433,659 S	*	11/2000	Frizzi	.....	D12/211
D452,839 S	*	1/2002	Muth et al.	.....	D12/209
D454,105 S	*	3/2002	Pfeiffer	.....	D12/209
D458,203 S	*	6/2002	Kataoka	.....	D12/209
D458,204 S	*	6/2002	Kataoka	.....	D12/209
D458,571 S	*	6/2002	Maifrini	.....	D12/209
D458,572 S	*	6/2002	Fitzgerlad	.....	D12/209
D458,887 S	*	6/2002	Kataoka	.....	D12/209
D459,689 S	*	7/2002	Hieke	.....	D12/211
D460,037 S	*	7/2002	Takechi	.....	D12/211

\* cited by examiner

*Primary Examiner*—Stacia Cadmus

(74) *Attorney, Agent, or Firm*—Crowell & Moring LLP

(57) **CLAIM**

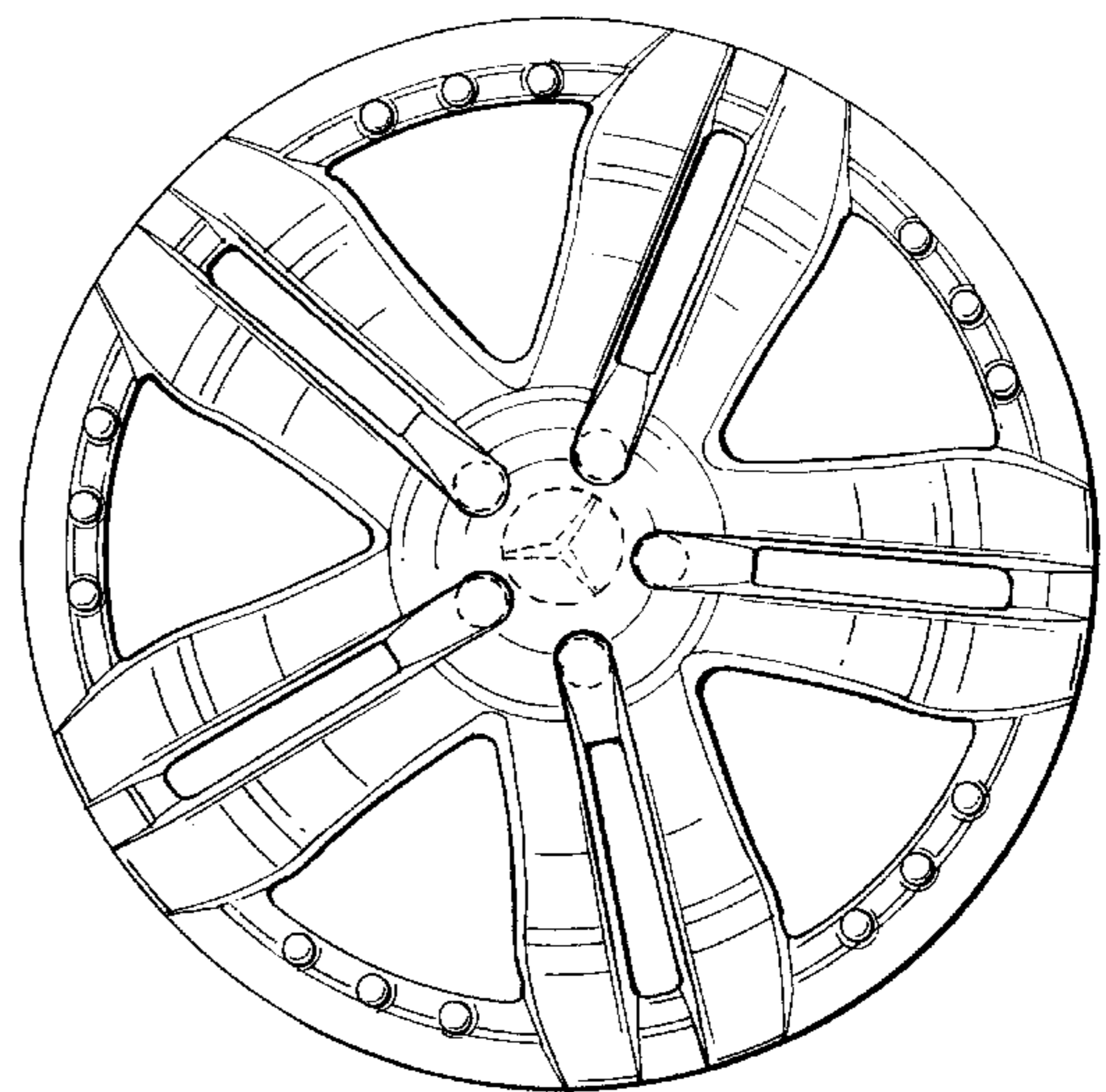
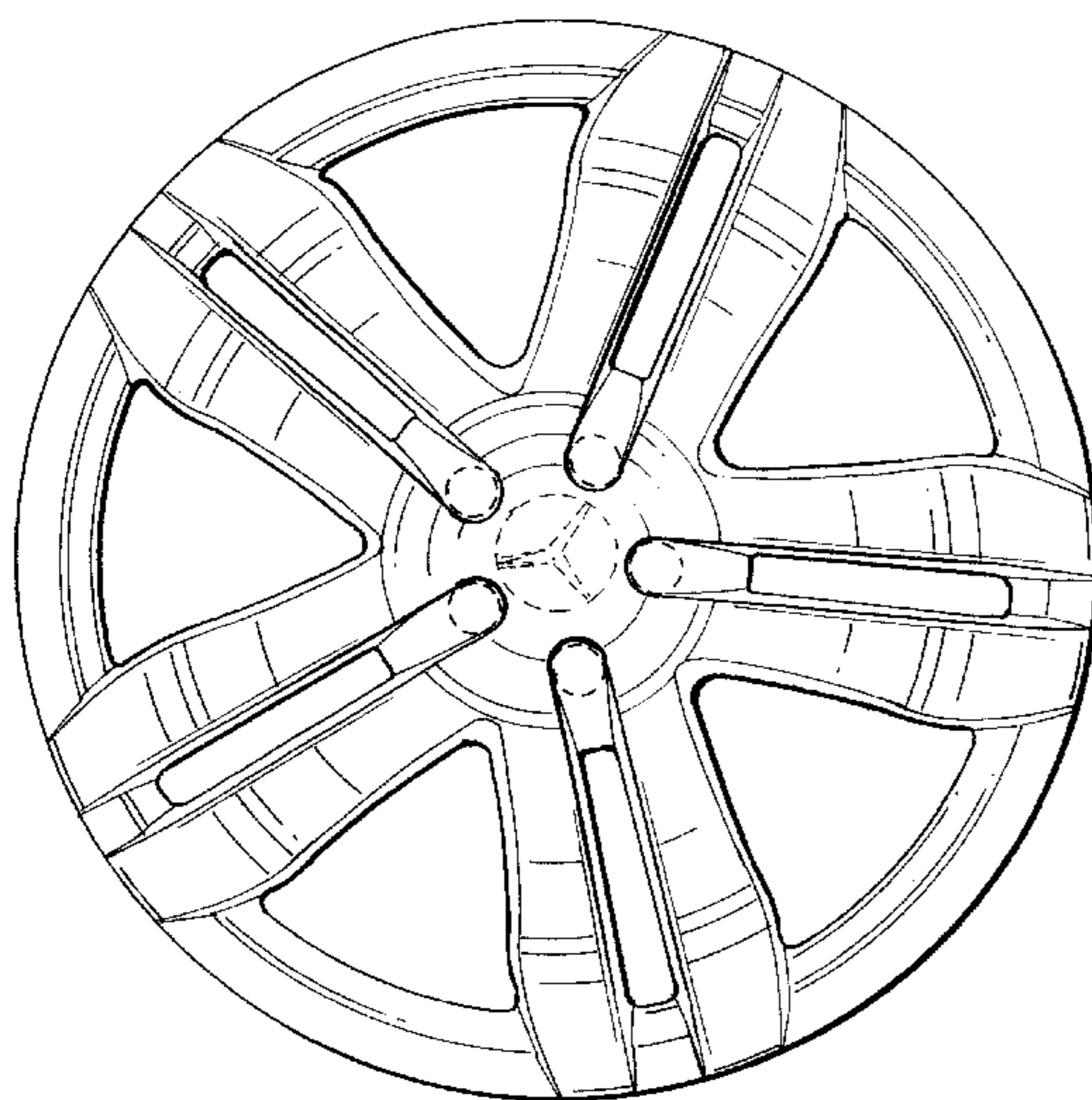
The ornamental design for a front face of a vehicle wheel, as shown and described.

**DESCRIPTION**

FIG. 1 is a front view of a first embodiment of a front face of a vehicle wheel according to our novel design; FIG. 2 is a perspective view of the first embodiment of the front face of a vehicle wheel according to our novel design; FIG. 3 is a front view of a second embodiment of the front face of a vehicle wheel according to our novel design; and, FIG. 4 is a perspective view of the second embodiment of the front face of a vehicle wheel according to our novel design.

The dash lines included depict environment and are not part of the claimed design.

**1 Claim, 2 Drawing Sheets**



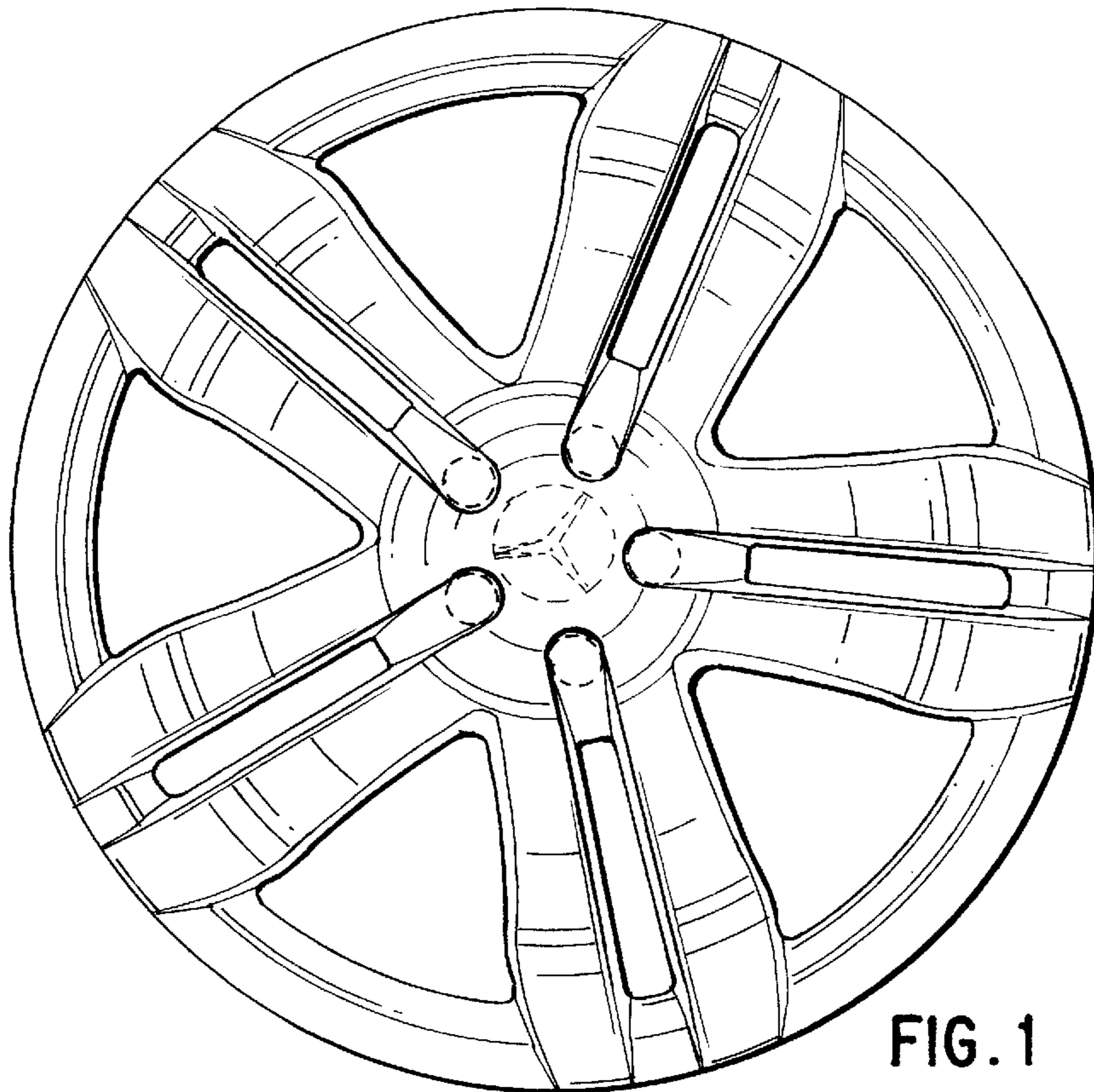


FIG. 1

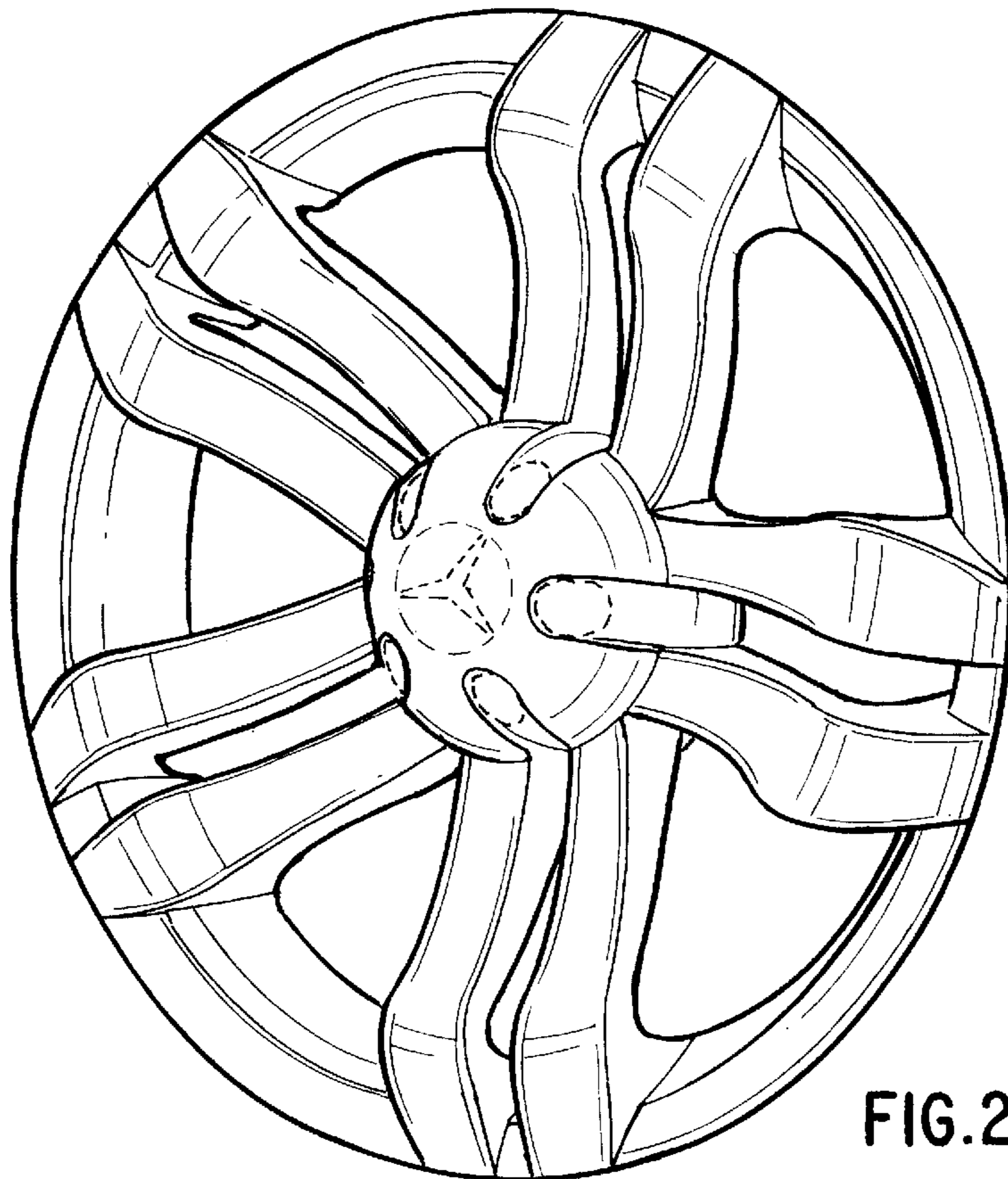


FIG. 2

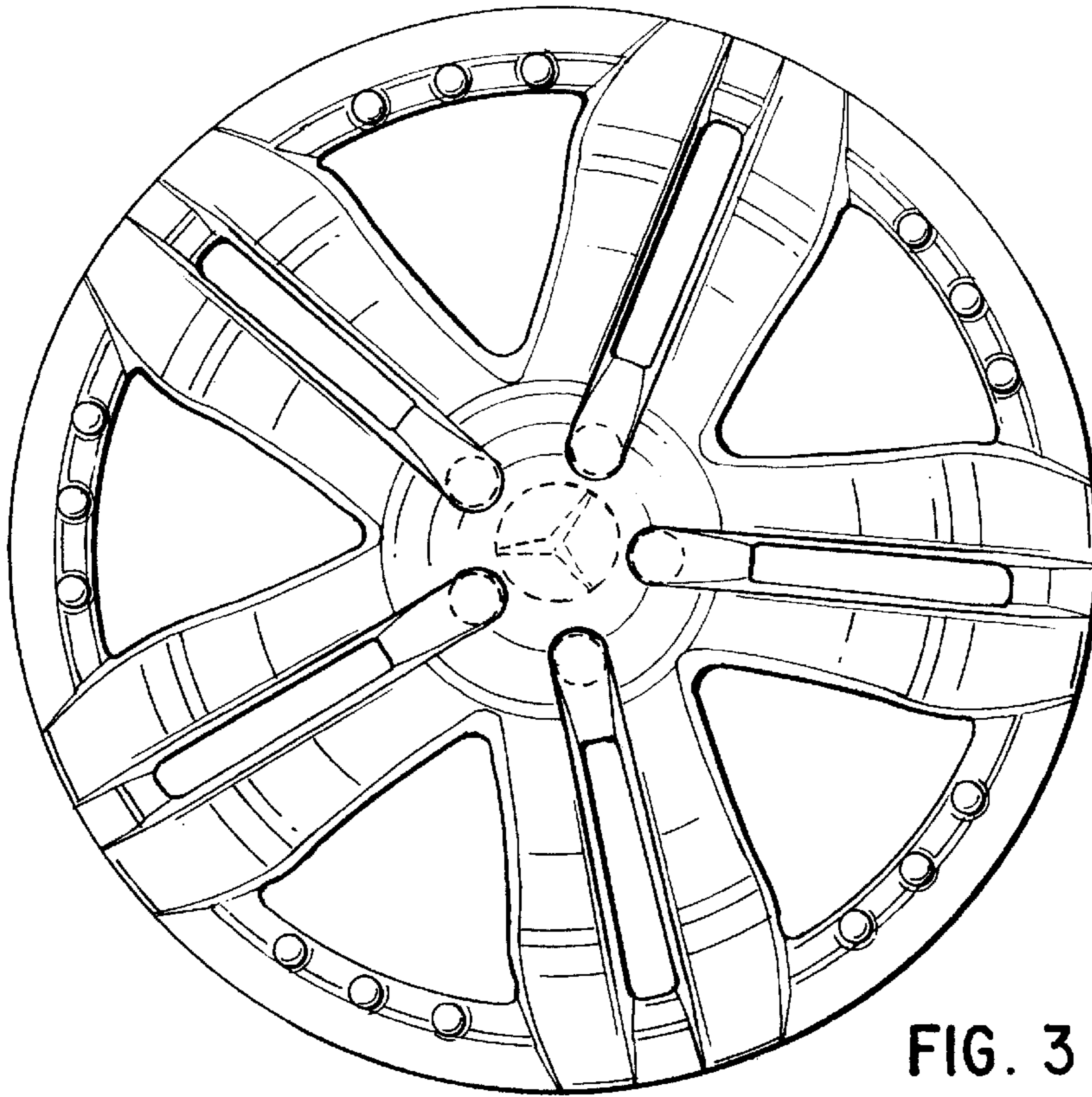


FIG. 3

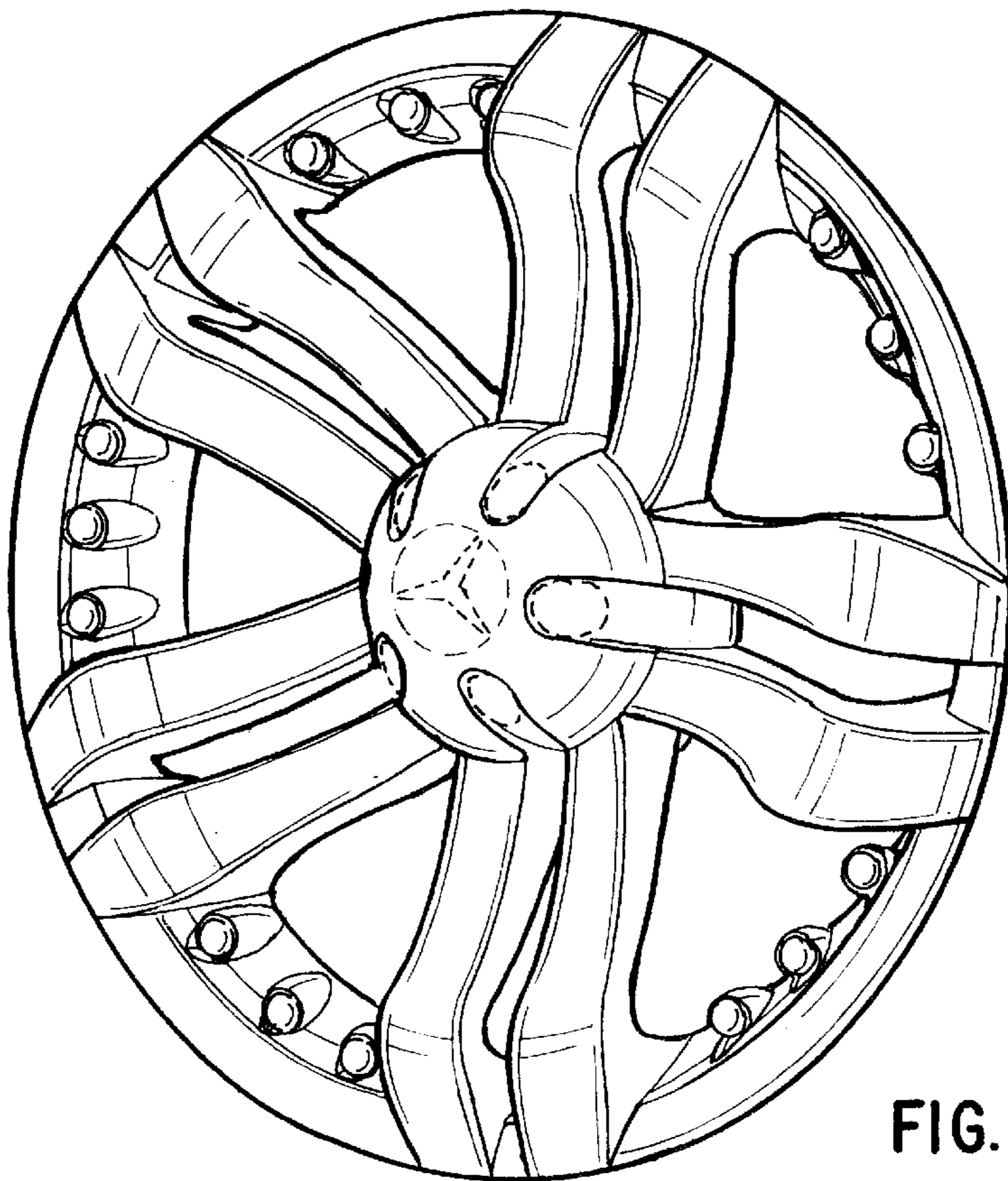


FIG. 4