



US00D472865S

(12) **United States Design Patent**  
**Wechner**

(10) **Patent No.:** **US D472,865 S**

(45) **Date of Patent:** **\*\* Apr. 8, 2003**

(54) **FRONT FACE OF A VEHICLE WHEEL**

(75) **Inventor:** **Daniel Wechner, Munich (DE)**

(73) **Assignee:** **Bayerische Motoren Werke  
Aktiengesellschaft, Munich (DE)**

(\*\*) **Term:** **14 Years**

(21) **Appl. No.:** **29/128,458**

(22) **Filed:** **Aug. 25, 2000**

(30) **Foreign Application Priority Data**

Feb. 25, 2000 (DE) ..... 400 02 210

(51) **LOC (7) Cl.** ..... **12-16**

(52) **U.S. Cl.** ..... **D12/211**

(58) **Field of Search** ..... D12/204-211;  
301/37.1, 64.1, 65

(56) **References Cited**

**U.S. PATENT DOCUMENTS**

- D348,243 S \* 6/1994 Echazabal et al. .... D12/211
- D350,932 S \* 9/1994 Echazabal et al. .... D12/211
- D376,125 S \* 12/1996 Fikse ..... D12/211
- D380,431 S \* 7/1997 Brown et al. .... D12/209
- D384,633 S \* 10/1997 Syring ..... D12/211
- D394,838 S \* 6/1998 Suprihanto ..... D12/211
- D395,270 S \* 6/1998 Baumgartner et al. .... D12/211
- D398,278 S \* 9/1998 Brown et al. .... D12/211
- D398,898 S \* 9/1998 Baumgartner ..... D12/211
- D401,206 S \* 11/1998 Ivanova ..... D12/209

- D405,409 S \* 2/1999 Baumgartner ..... D12/211
- D406,092 S \* 2/1999 Baumgartner ..... D12/211
- D410,426 S \* 6/1999 Frizzi ..... D12/211
- D416,849 S 11/1999 Weidhase ..... D12/211
- D419,948 S \* 2/2000 Cahyono ..... D12/211
- D430,526 S \* 9/2000 Fitzgerald ..... D12/211
- D438,162 S \* 2/2001 Syring ..... D12/211
- D438,163 S \* 2/2001 Langerer ..... D12/211
- D438,603 S \* 3/2001 Syring ..... D12/211
- D438,833 S \* 3/2001 Takechi ..... D12/211
- D451,067 S \* 11/2001 Frizzi ..... D12/211
- D454,327 S \* 3/2002 Bux ..... D12/211

**FOREIGN PATENT DOCUMENTS**

JP 1040409 6/1999

\* cited by examiner

*Primary Examiner*—Stacia Cadmus

(74) *Attorney, Agent, or Firm*—Crowell & Moring LLP

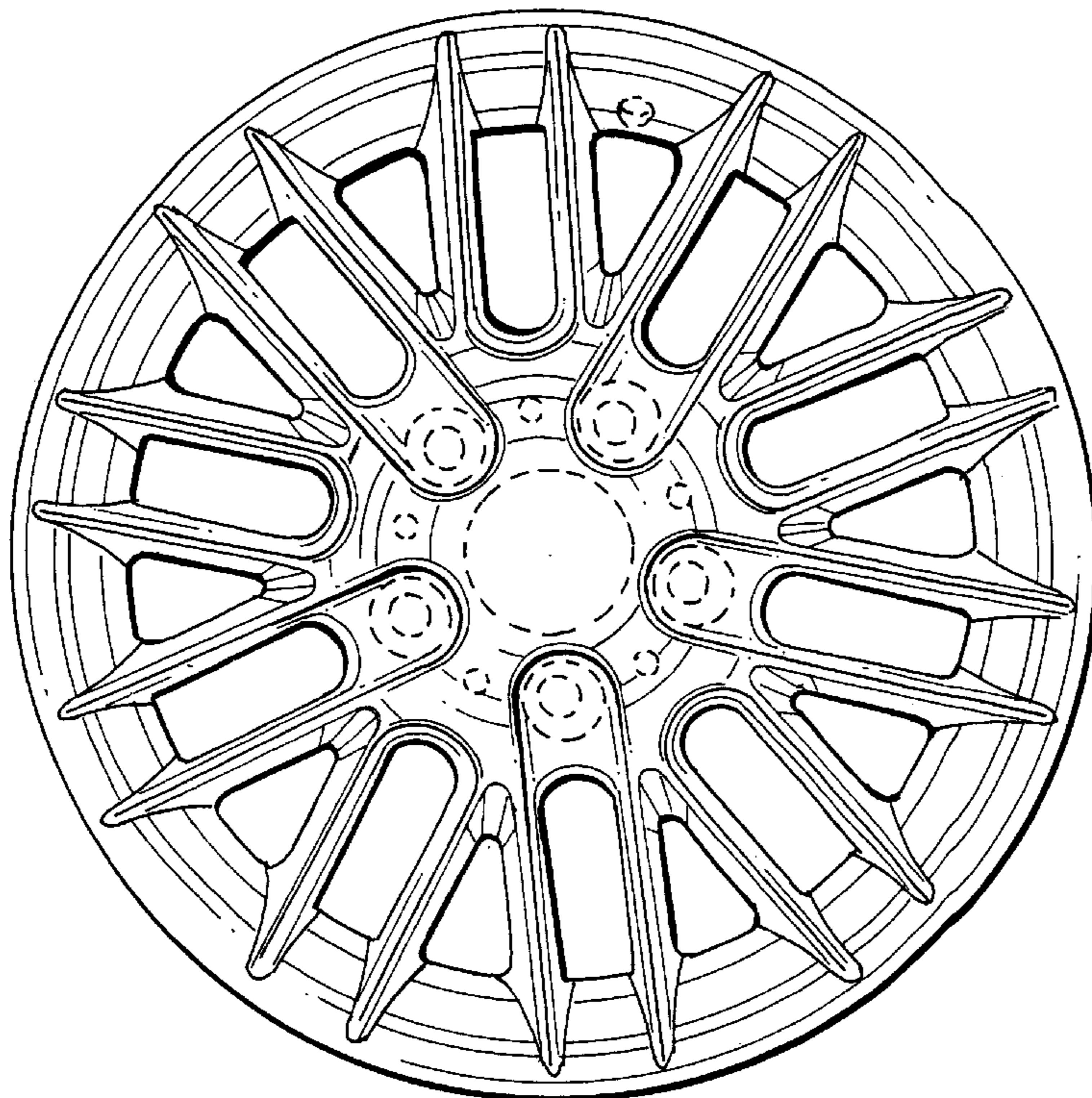
(57) **CLAIM**

The ornamental design for a front face of a vehicle wheel, as shown and described.

**DESCRIPTION**

FIG. 1 is a front view of a front face of a vehicle wheel according to my novel design; and, FIG. 2 is a perspective view of the front face of a vehicle wheel according to my novel design. The dash lines included depict environment and are not part of the claimed design.

**1 Claim, 1 Drawing Sheet**



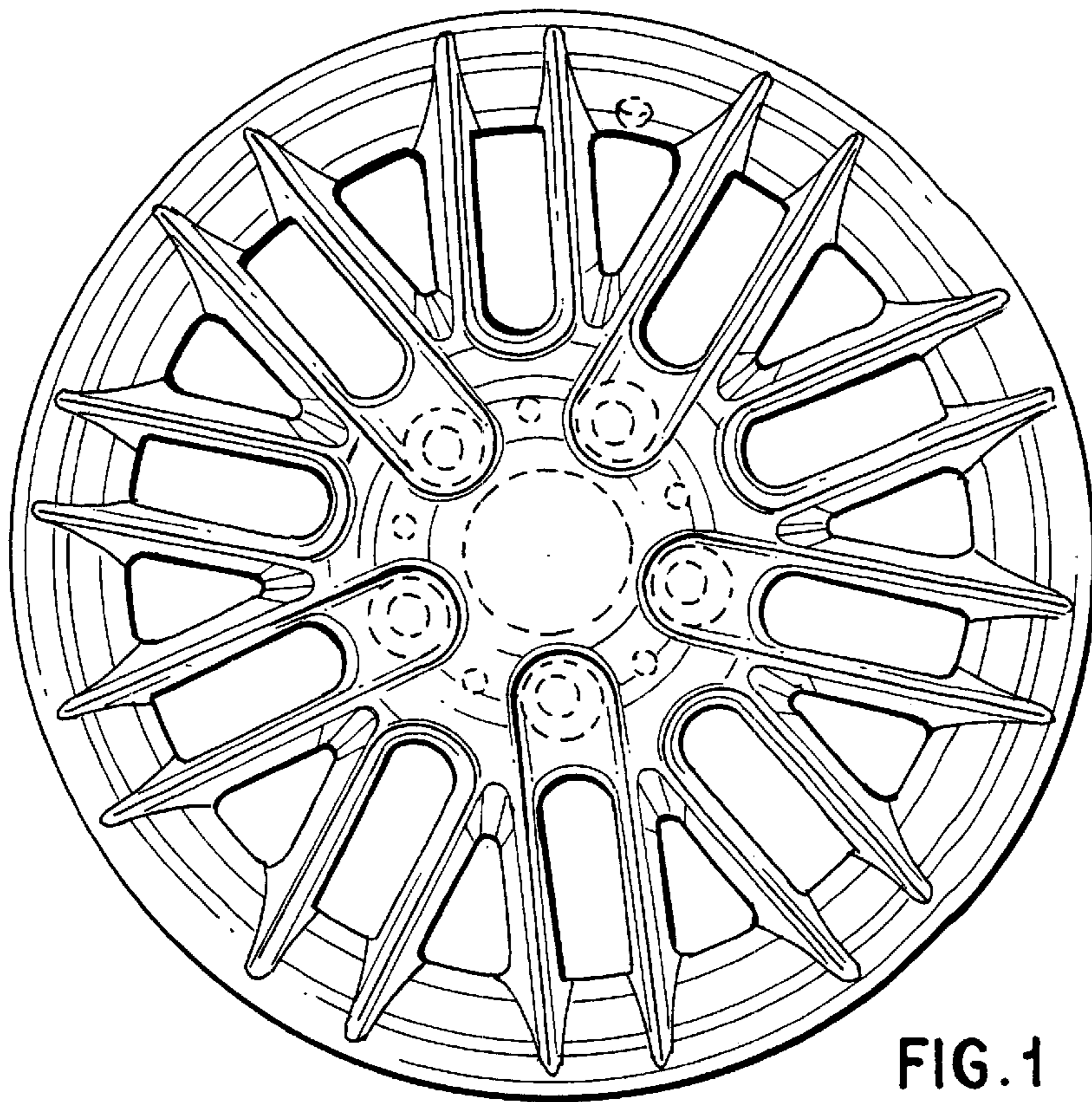


FIG. 1

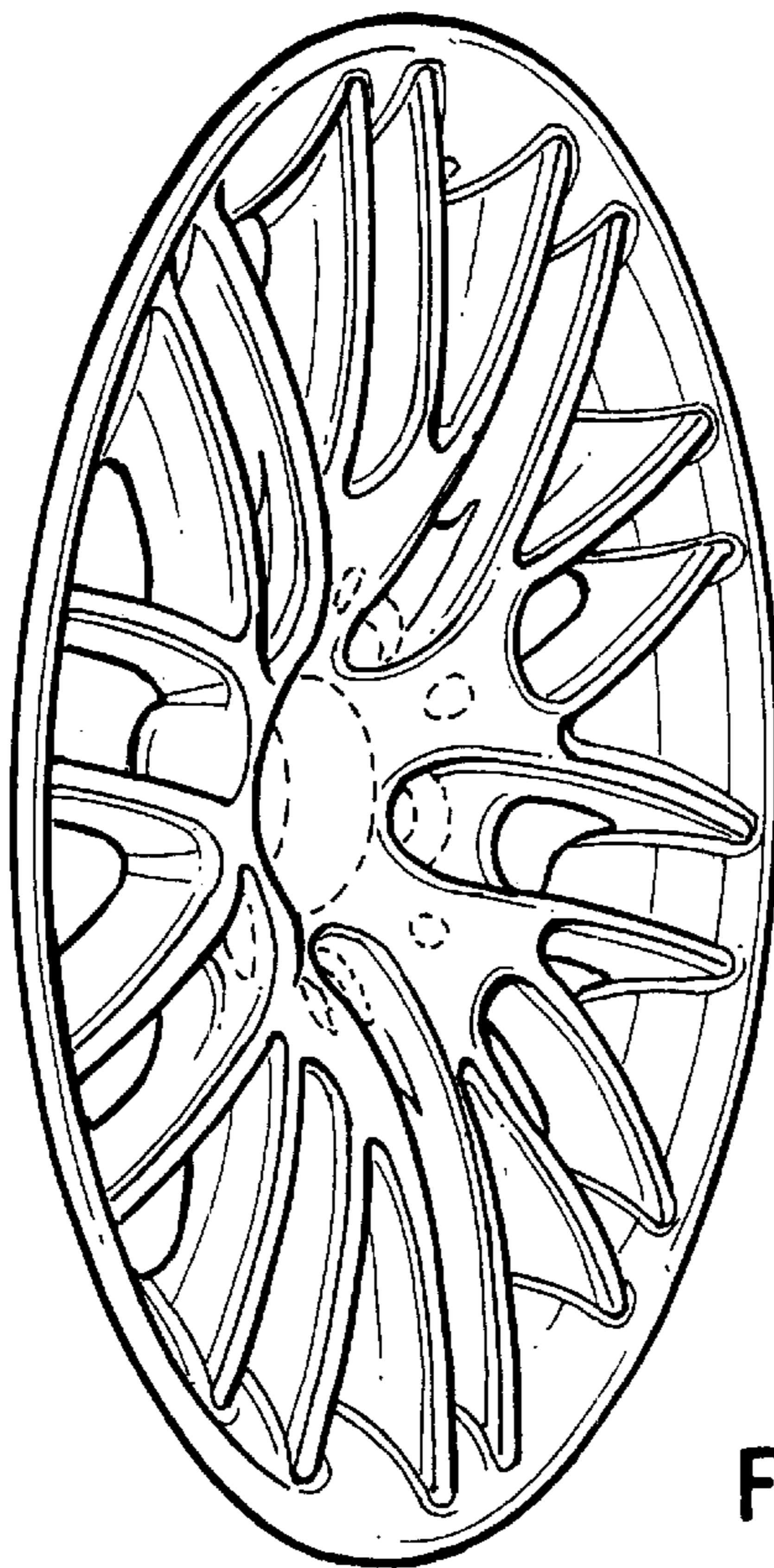


FIG. 2