



US00D472863S

(12) **United States Design Patent**  
**Carroll**

(10) **Patent No.:** **US D472,863 S**

(45) **Date of Patent:** **\*\* Apr. 8, 2003**

(54) **TWO-TONE PAINT ARRANGEMENT  
APPLIED TO AN AUTOMOBILE**

D460,935 S \* 7/2002 Newton ..... D12/196

\* cited by examiner

(75) **Inventor:** **William M. Carroll, Naples, FL (US)**

*Primary Examiner*—Melody N. Brown

(73) **Assignee:** **The Michael Company/U.S.A., Ltd.,  
Milwaukee, WI (US)**

(74) *Attorney, Agent, or Firm*—Michael Best & Friedrich  
LLP

(\*\*) **Term:** **14 Years**

(57) **CLAIM**

(21) **Appl. No.:** **29/142,571**

The ornamental design for a two-tone paint arrangement  
applied to an automobile, as shown and described.

(22) **Filed:** **May 29, 2001**

**DESCRIPTION**

(51) **LOC (7) Cl.** ..... **12-16**

(52) **U.S. Cl.** ..... **D12/196; D12/86; D12/92;  
D12/400**

(58) **Field of Search** ..... **D12/196, 190,  
D12/86, 90-92, 400; 296/185**

(56) **References Cited**

**U.S. PATENT DOCUMENTS**

- D430,065 S \* 8/2000 Carlson et al. .... D12/92
- D430,821 S \* 9/2000 Carlson et al. .... D12/92
- D432,487 S \* 10/2000 Bodzioch ..... D12/400
- D455,983 S \* 4/2002 Carlson ..... D12/400
- D458,871 S \* 6/2002 Honda et al. .... D12/92

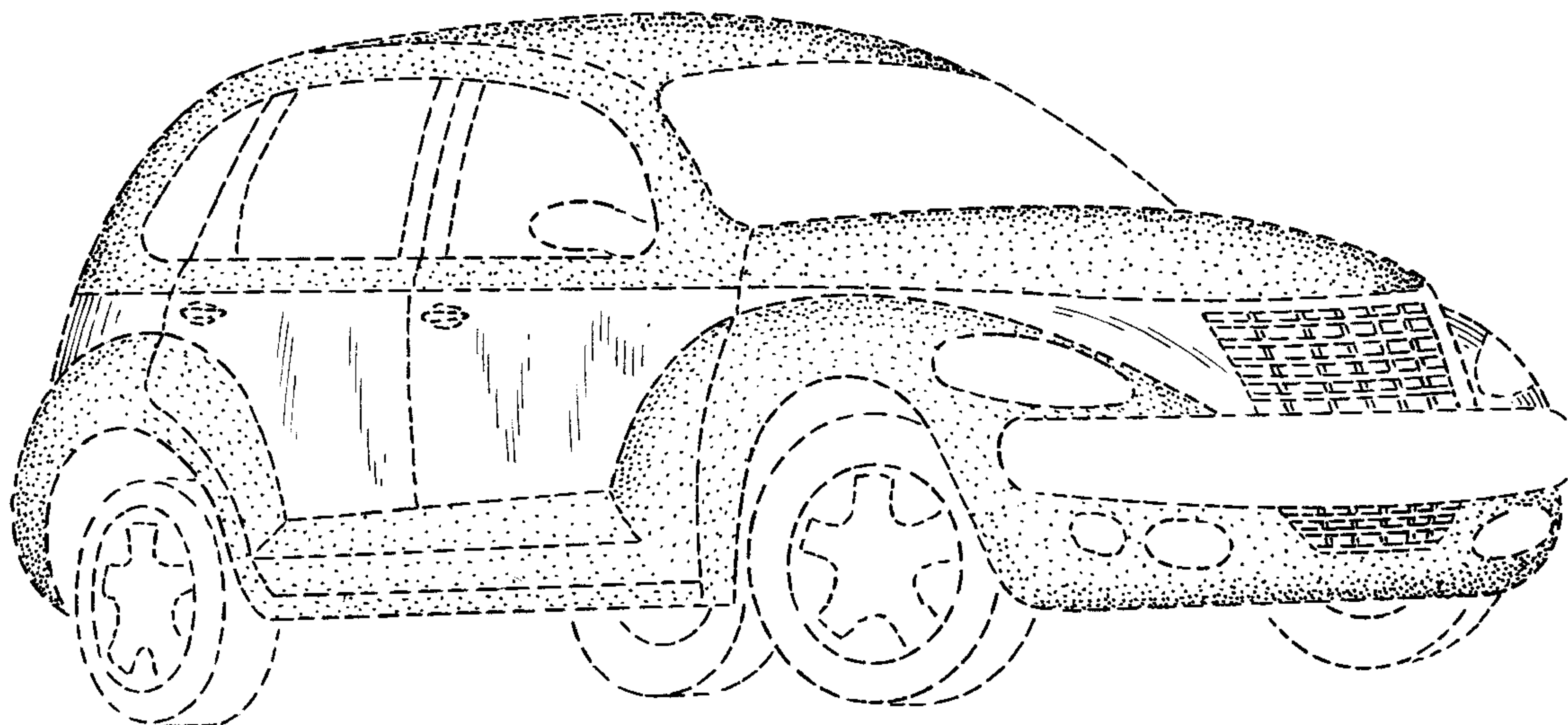
FIG. 1 is a perspective view of a two-tone paint arrangement  
applied to an automobile.

FIG. 2 is a side view of the design shown in FIG. 1.

FIG. 3 is a front view of the design shown in FIG. 1; and,  
FIG. 4 is a rear view of the design shown in FIG. 1.

The broken line showing of the environment is for illustra-  
tive purposes only and forms no part of the claimed design.  
The bottom view is not part of the claimed design. The two  
differently shaded portions of the illustrated automobile  
constitute two regions of differently colored paint applied to  
the automobile.

**1 Claim, 4 Drawing Sheets**



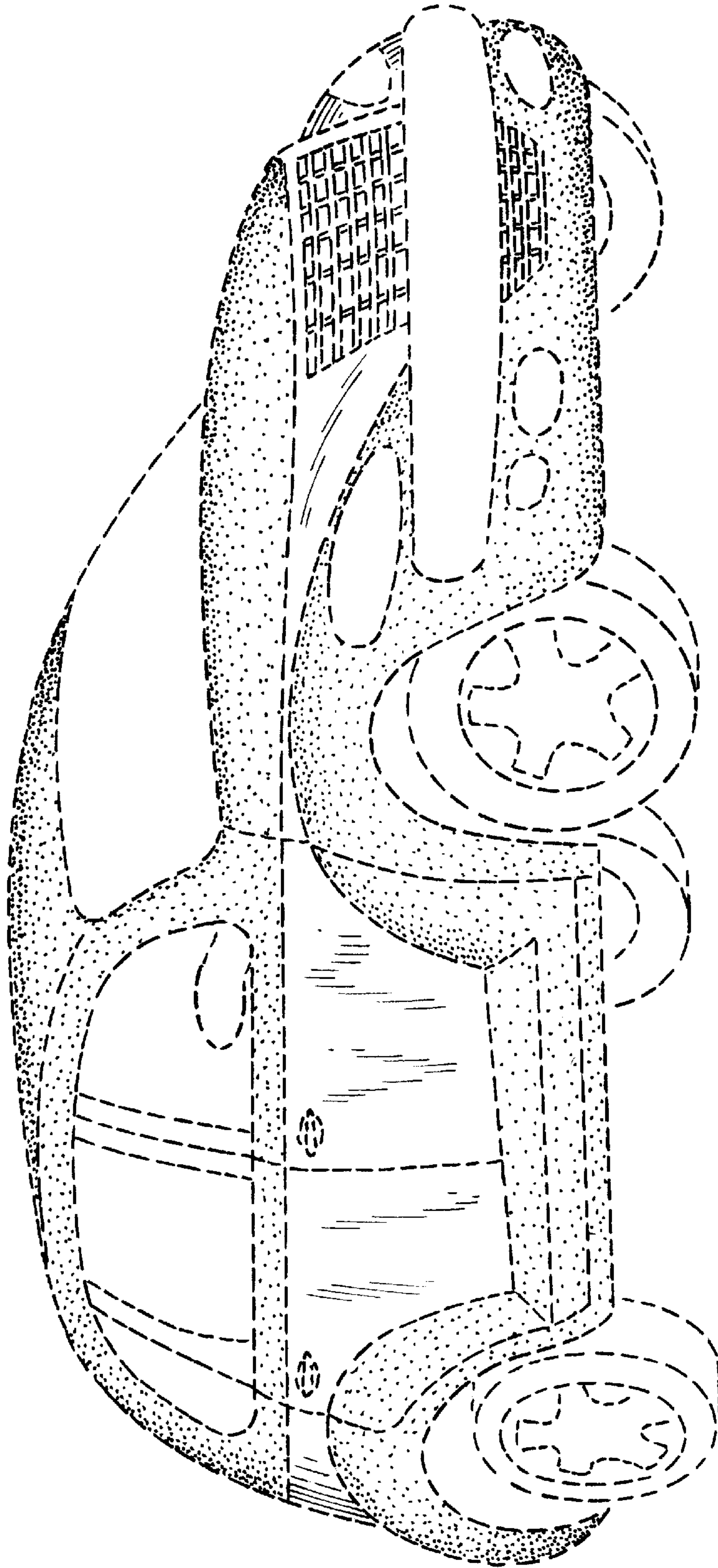


Fig. 1

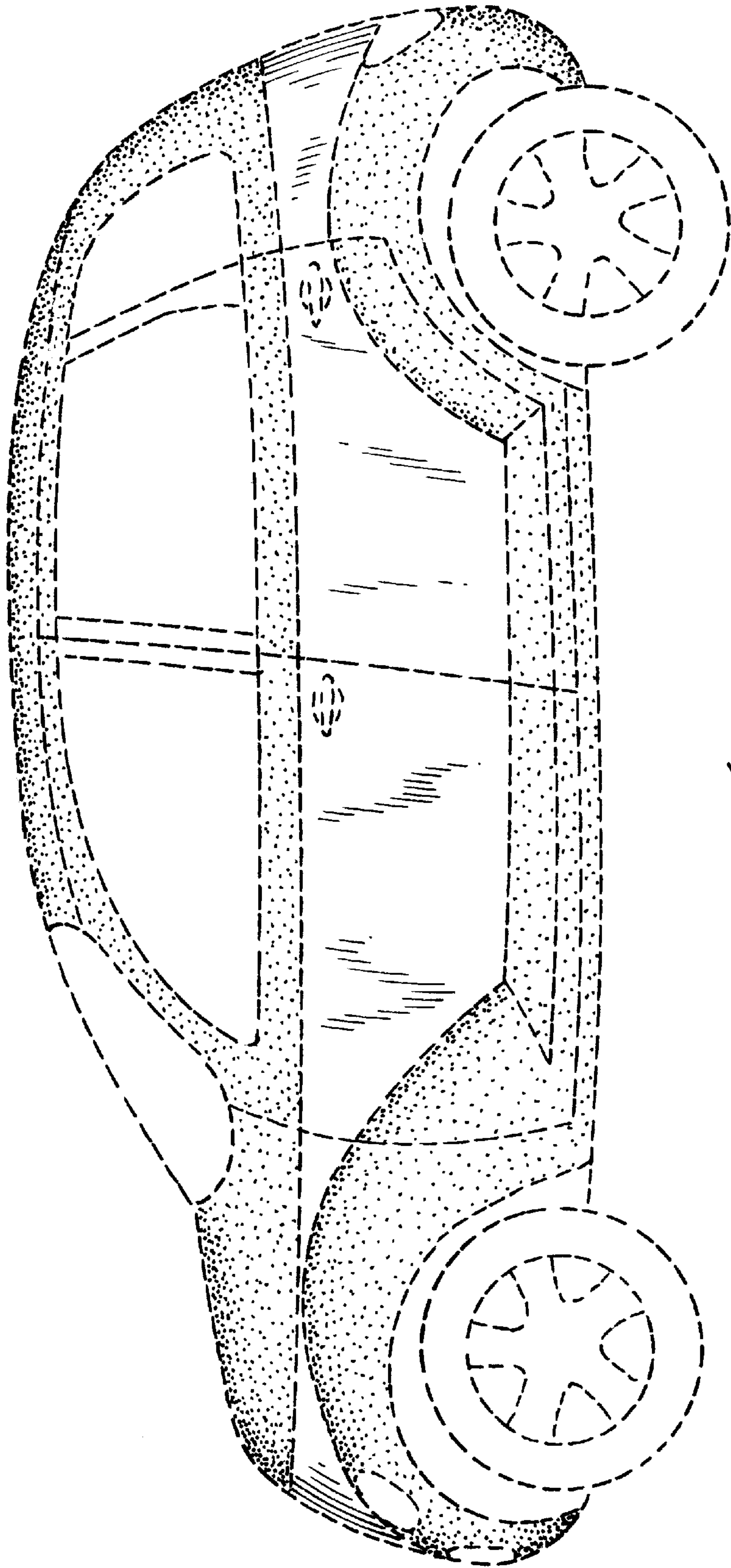


FIG. 2



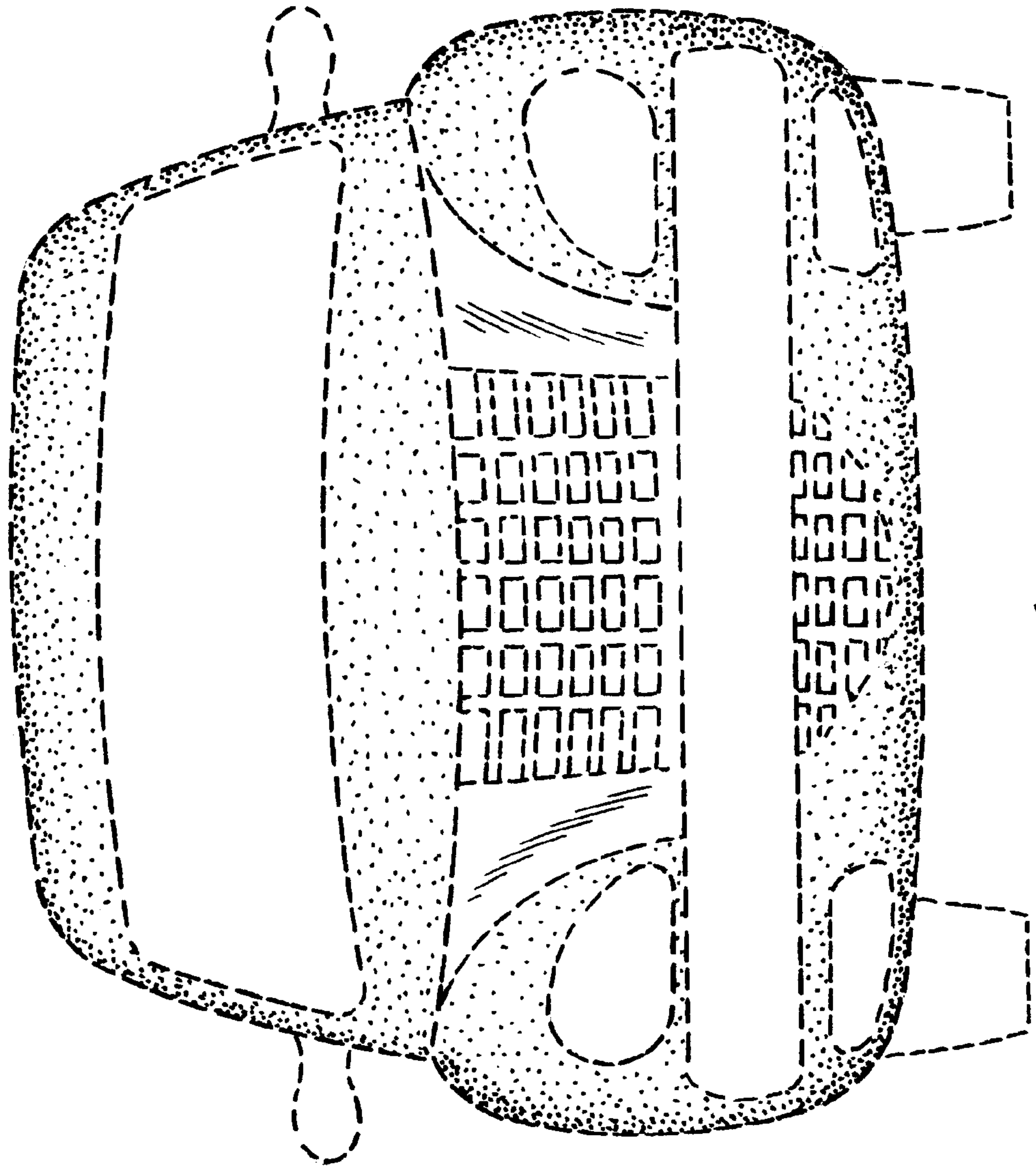


FIG. 3

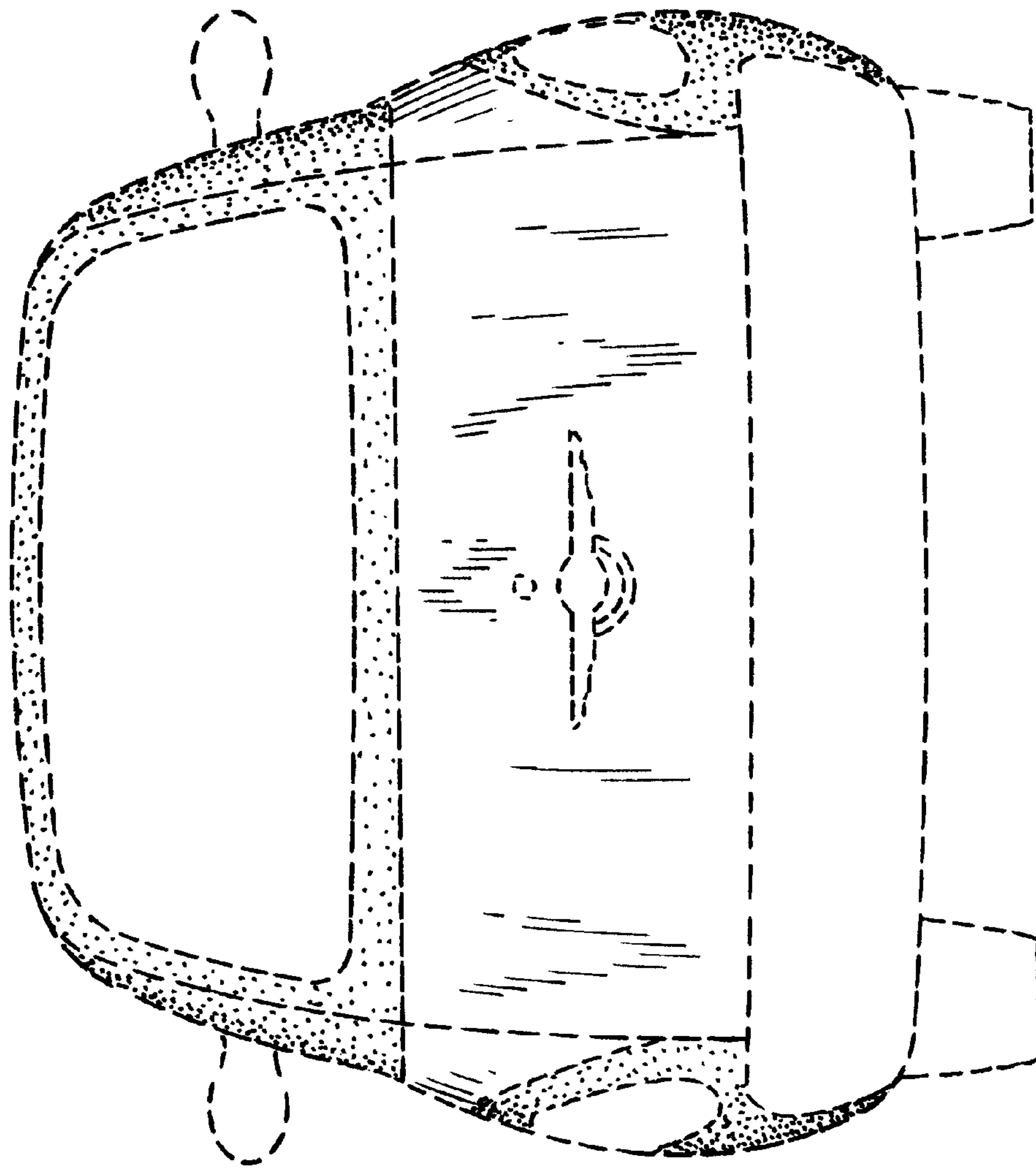


FIG. 4