



US00D472860S

(12) **United States Design Patent**  
**Vian**

(10) **Patent No.:** **US D472,860 S**

(45) **Date of Patent:** **\*\* Apr. 8, 2003**

(54) **REAR VIEW MIRROR COVER**

(75) Inventor: **Paolo Vian**, Tregnago (IT)

(73) Assignee: **Breed Automotive Technology, Inc.**,  
Lakeland, FL (US)

(\*\*) Term: **14 Years**

(21) Appl. No.: **29/157,629**

(22) Filed: **Mar. 25, 2002**

(30) **Foreign Application Priority Data**

Nov. 22, 2001 (IT) ..... MI0100779

(51) **LOC (7) Cl.** ..... **12-16**

(52) **U.S. Cl.** ..... **D12/188**

(58) **Field of Search** ..... D12/187-189;  
359/838-850, 868-881

(56) **References Cited**

**U.S. PATENT DOCUMENTS**

D285,547 S \* 9/1986 Kim ..... D12/187

D380,721 S \* 7/1997 Moreno ..... D12/187  
D401,200 S \* 11/1998 Huang ..... D12/187  
D403,286 S \* 12/1998 Kim et al. .... D12/187  
D435,344 S \* 12/2000 Harrison ..... D12/188 X

\* cited by examiner

*Primary Examiner*—Melody N. Brown

(74) *Attorney, Agent, or Firm*—Lonnie Drayer

(57) **CLAIM**

The ornamental design for a rear view mirror cover, as shown.

**DESCRIPTION**

FIG. 1 is a rear view of a rear-view mirror cover, showing my new design;

FIG. 2 is a left side elevation view thereof;

FIG. 3 is a right side elevation view thereof;

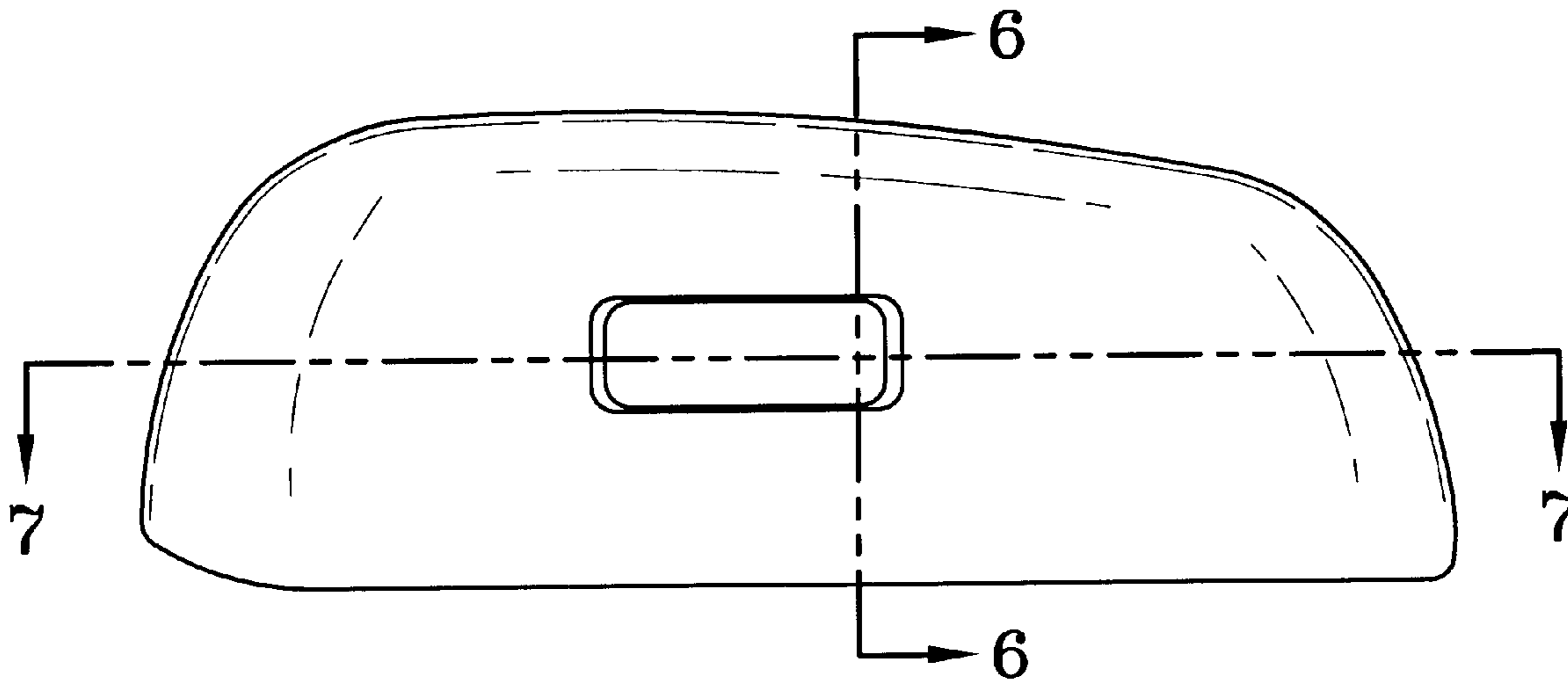
FIG. 4 is a top view thereof;

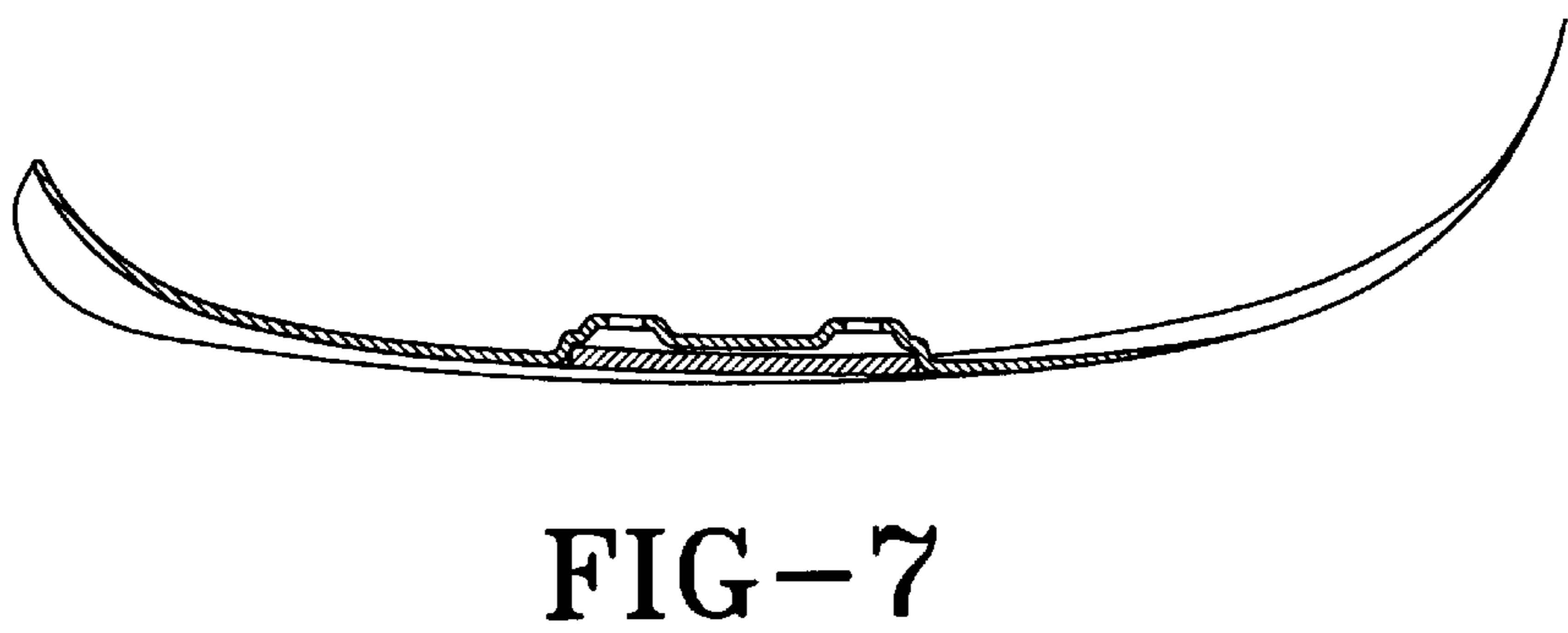
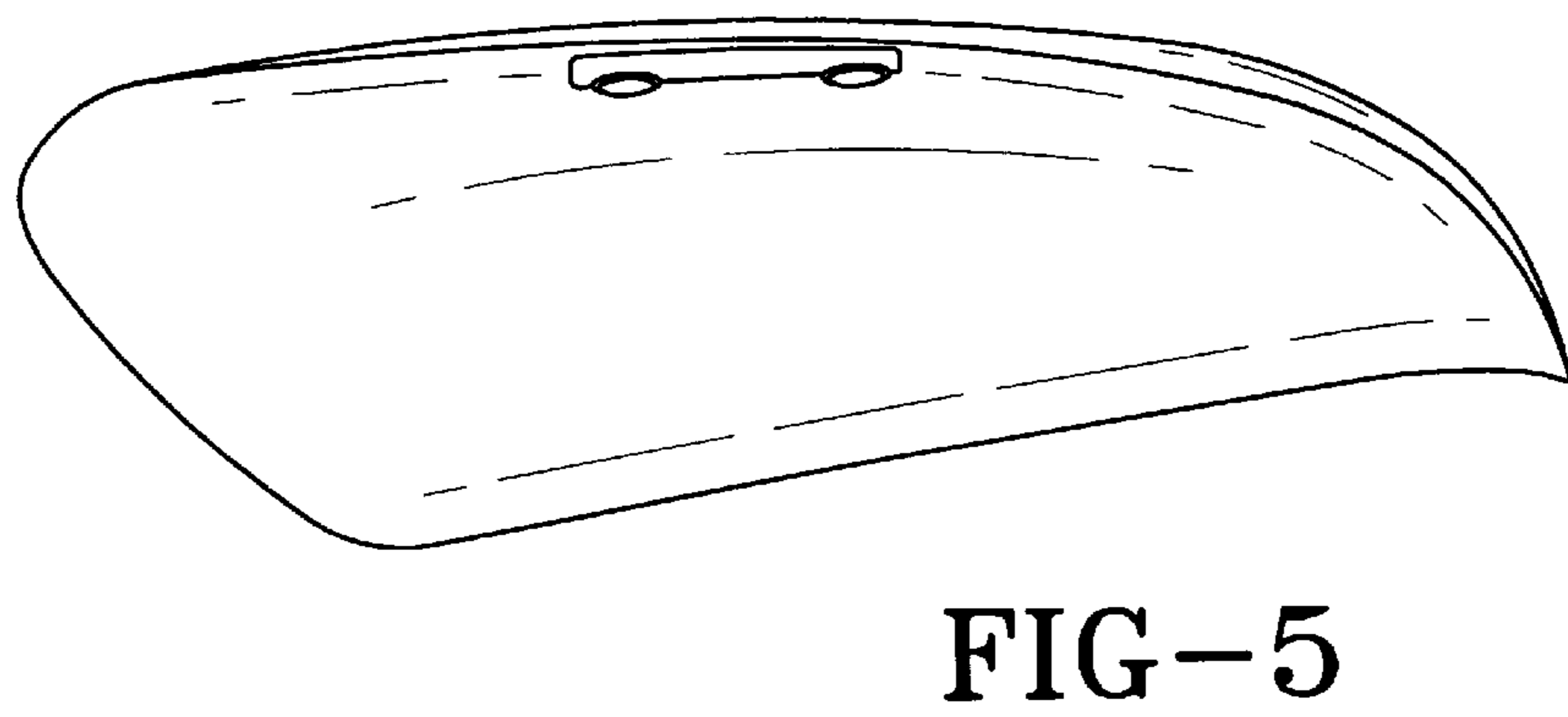
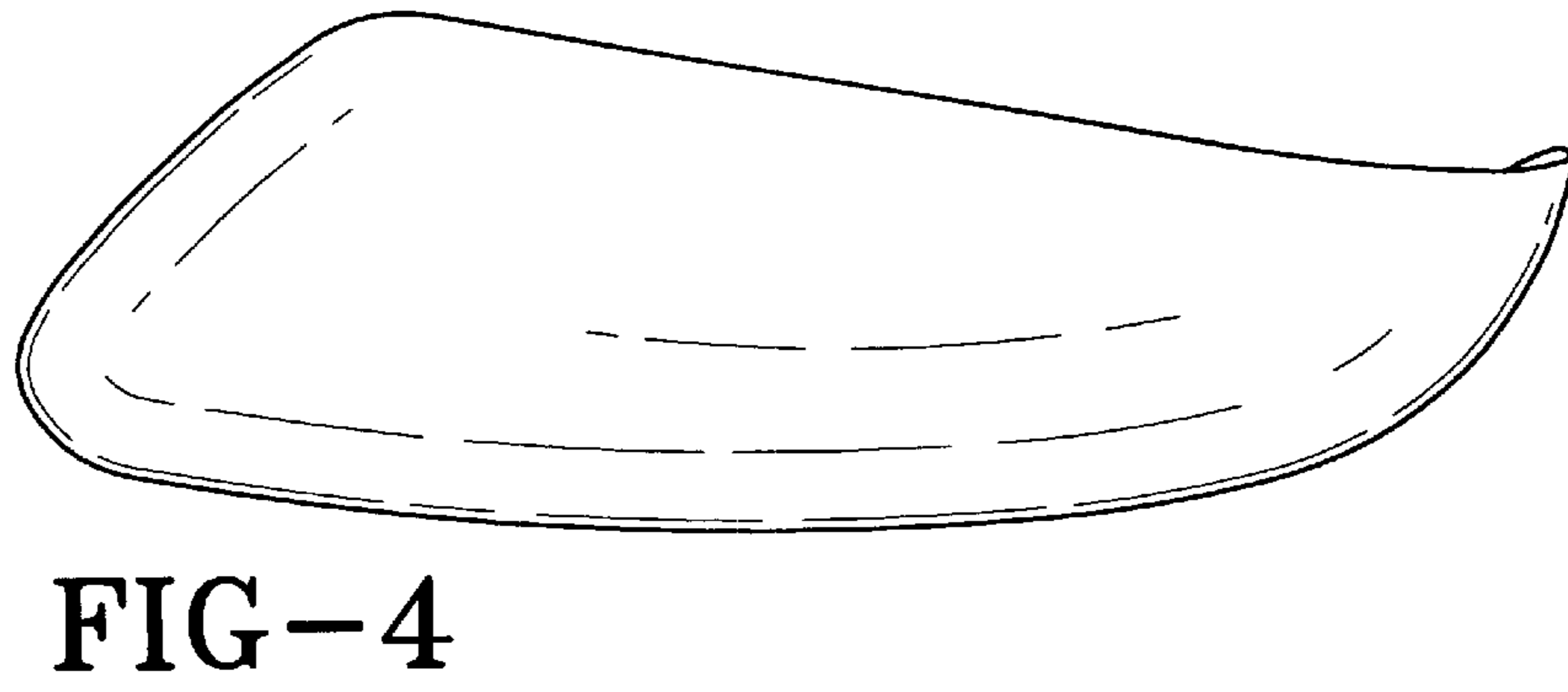
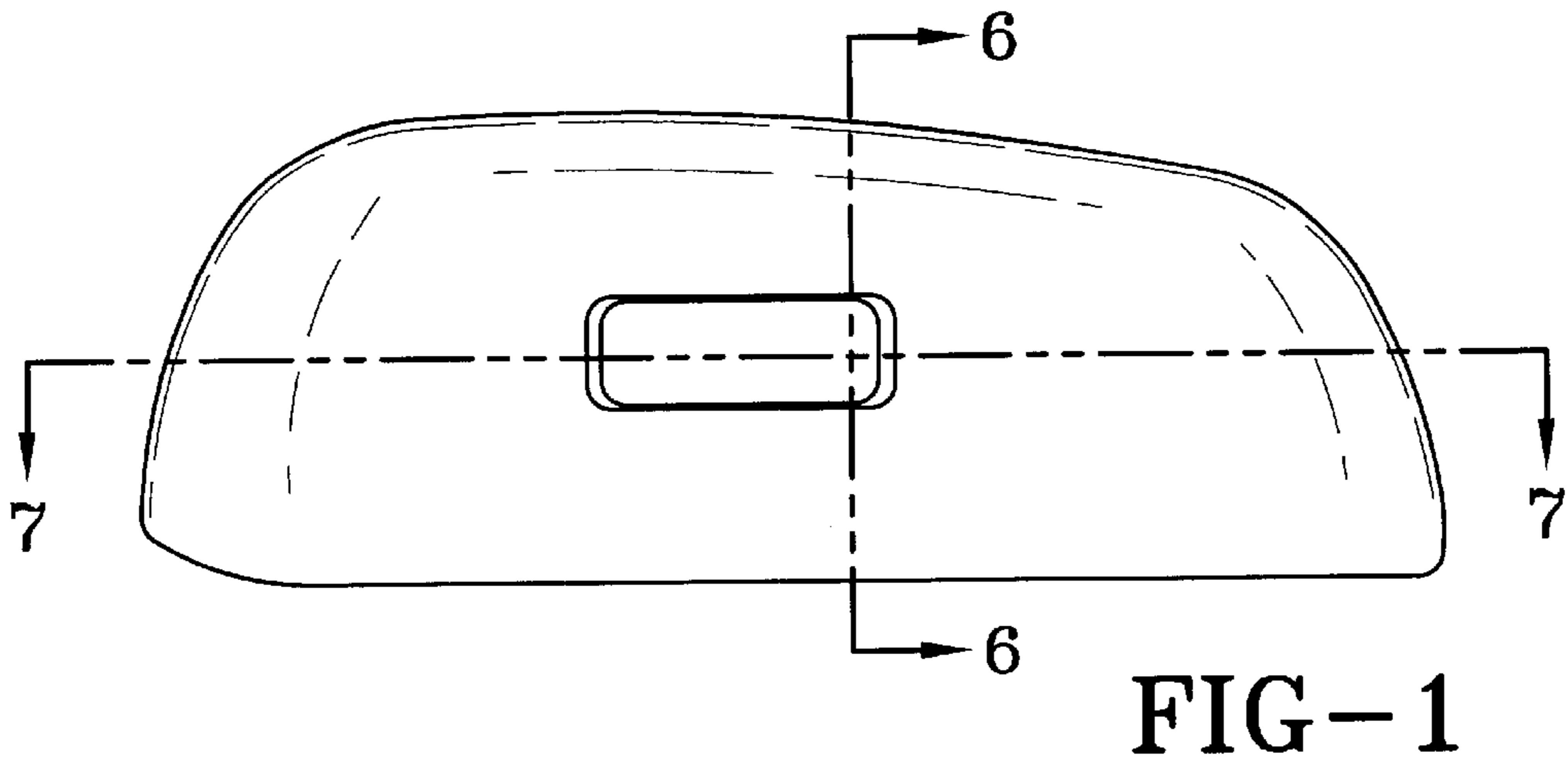
FIG. 5 is a bottom view thereof.

FIG. 6 is a section view along line 6—6 of FIG. 1; and,

FIG. 7 is a section view along line 7—7 of FIG. 1.

**1 Claim, 2 Drawing Sheets**





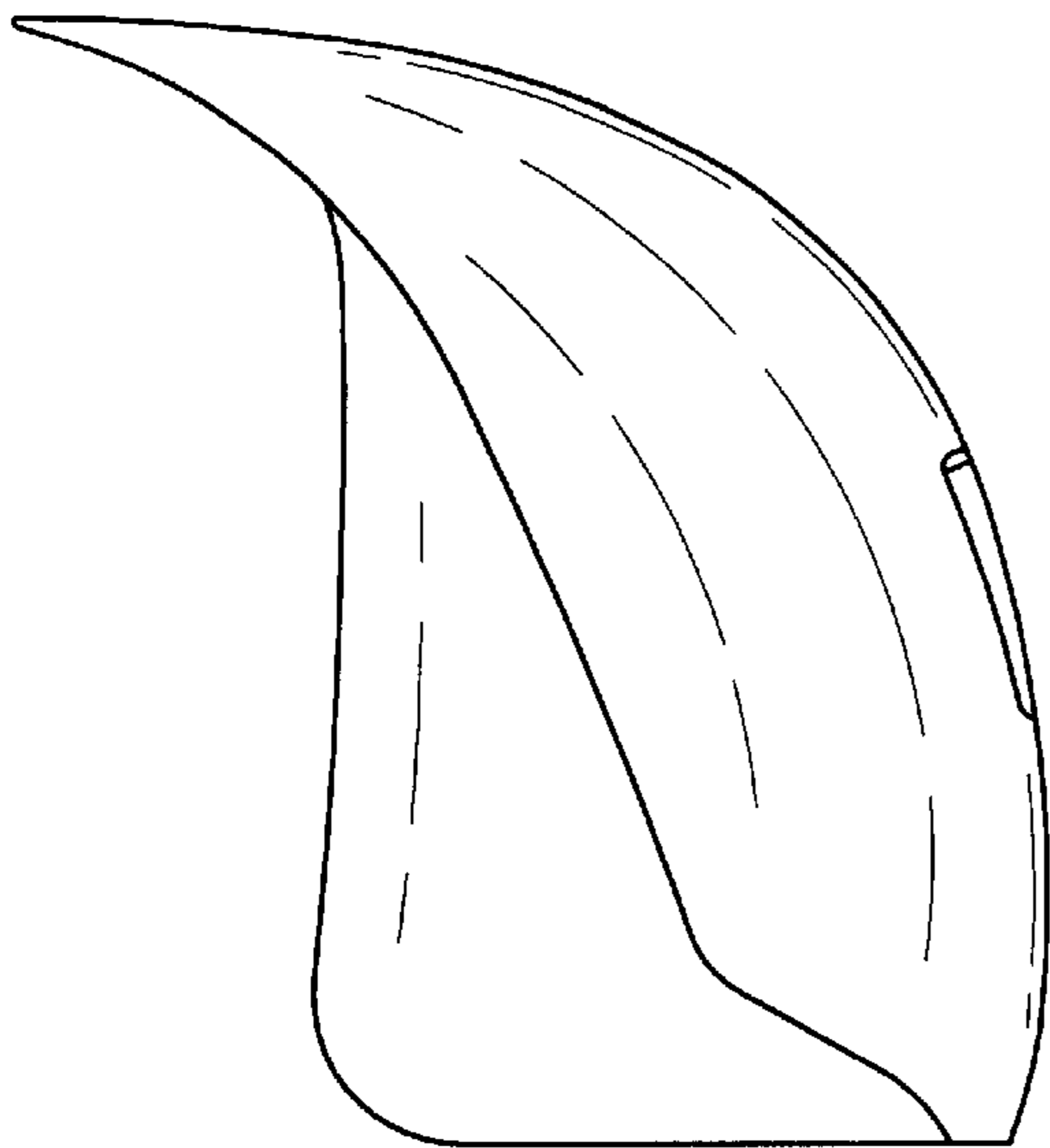


FIG-2

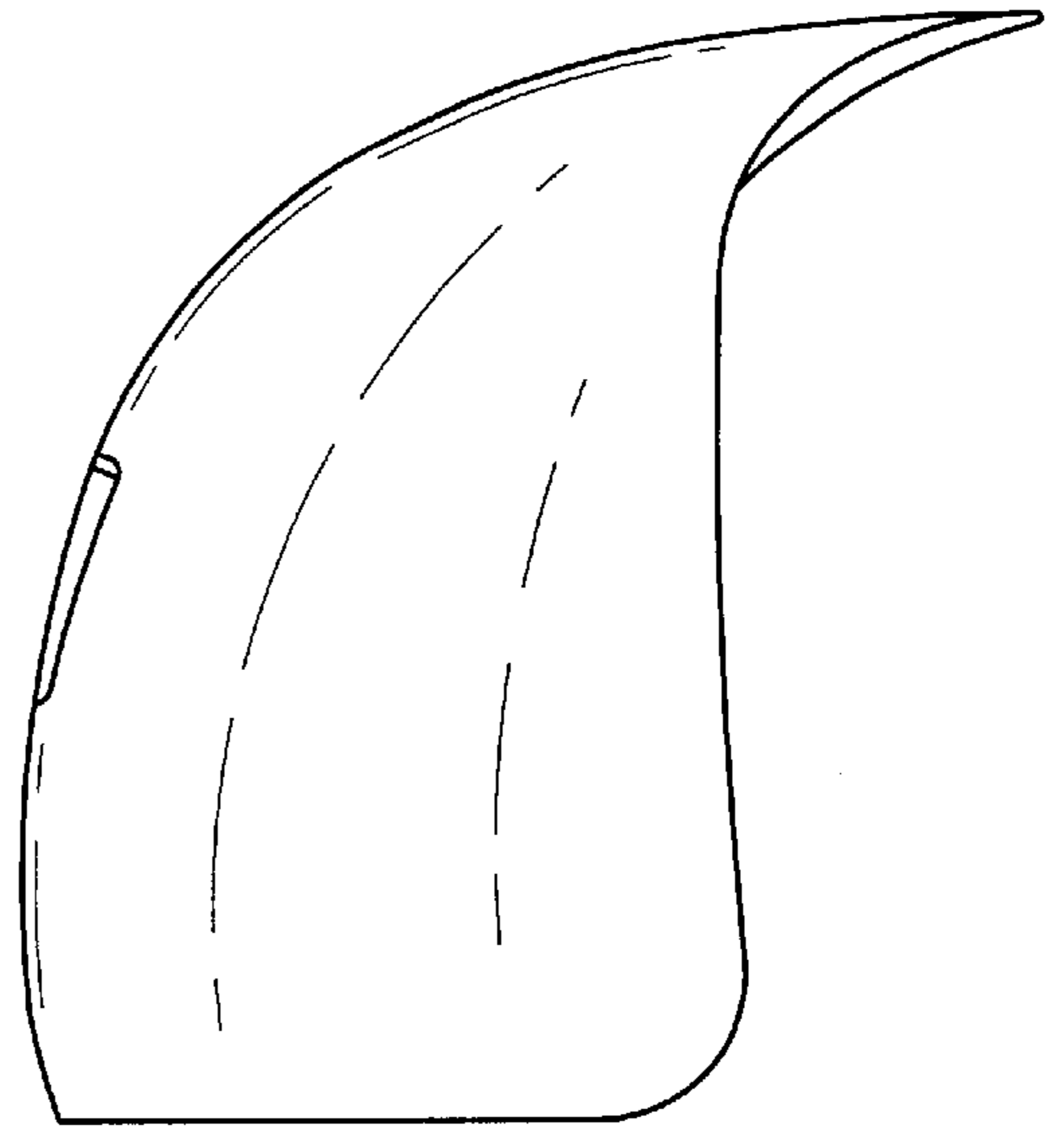


FIG-3

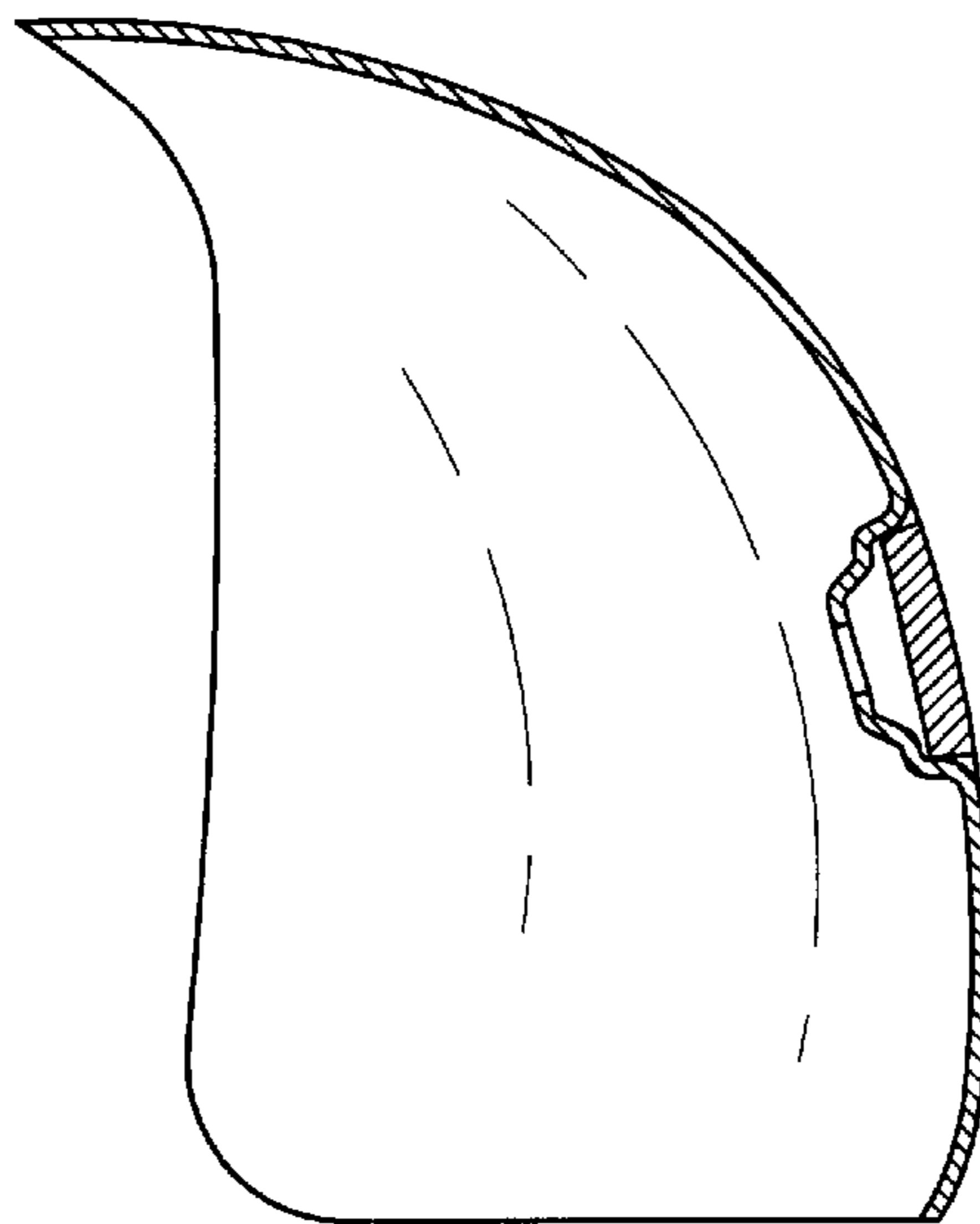


FIG-6