



US00D472854S

(12) **United States Design Patent**
Weber et al.

(10) **Patent No.:** **US D472,854 S**

(45) **Date of Patent:** **** Apr. 8, 2003**

(54) **GRILLE**

(75) Inventors: **Cindy Louise Weber**, Williamsburg, VA (US); **James Heinrich Weitz**, Hoboken, NJ (US); **Alberto Mantilla**, Regal Park, NY (US); **Anthony John Baxter**, New York, NY (US)

(73) Assignee: **Deere & Company**, Moline, IL (US)

(**) Term: **14 Years**

(21) Appl. No.: **29/164,173**

(22) Filed: **Jul. 19, 2002**

(51) **LOC (7) Cl.** **12-16**

(52) **U.S. Cl.** **D12/163; D12/171**

(58) **Field of Search** **D12/163, 171, D12/16, 14, 107, 15; 293/102, 103, 115, 120**

(56) **References Cited**

U.S. PATENT DOCUMENTS

D343,818 S	2/1994	DeBaal et al.	D12/173
D352,723 S	11/1994	DeBaal et al.	D15/31
D365,578 S	12/1995	Westimayer et al.	D15/31
5,509,710 A	4/1996	Eavenson, Sr. et al.	296/19

D382,279 S	8/1997	Goebert et al.	D15/31
D391,538 S	* 3/1998	Sacco et al.	D12/163
D411,210 S	6/1999	Goebert et al.	D15/31
D420,962 S	* 2/2000	Chevalier	D12/171
D422,953 S	* 4/2000	Waagenaar	D12/171
D441,469 S	5/2001	Goebert et al.	D26/28
D456,822 S	5/2002	Westimayer et al.	D15/31

* cited by examiner

Primary Examiner—Melody N. Brown

(57) **CLAIM**

The ornamental design for a grille, as shown and described.

DESCRIPTION

FIG. 1 is a front right elevated perspective view of a grille showing our new design.

FIG. 2 is a front right elevated perspective view of the grille design of FIG. 1.

FIG. 3 is a top view of the grille design of FIG. 1.

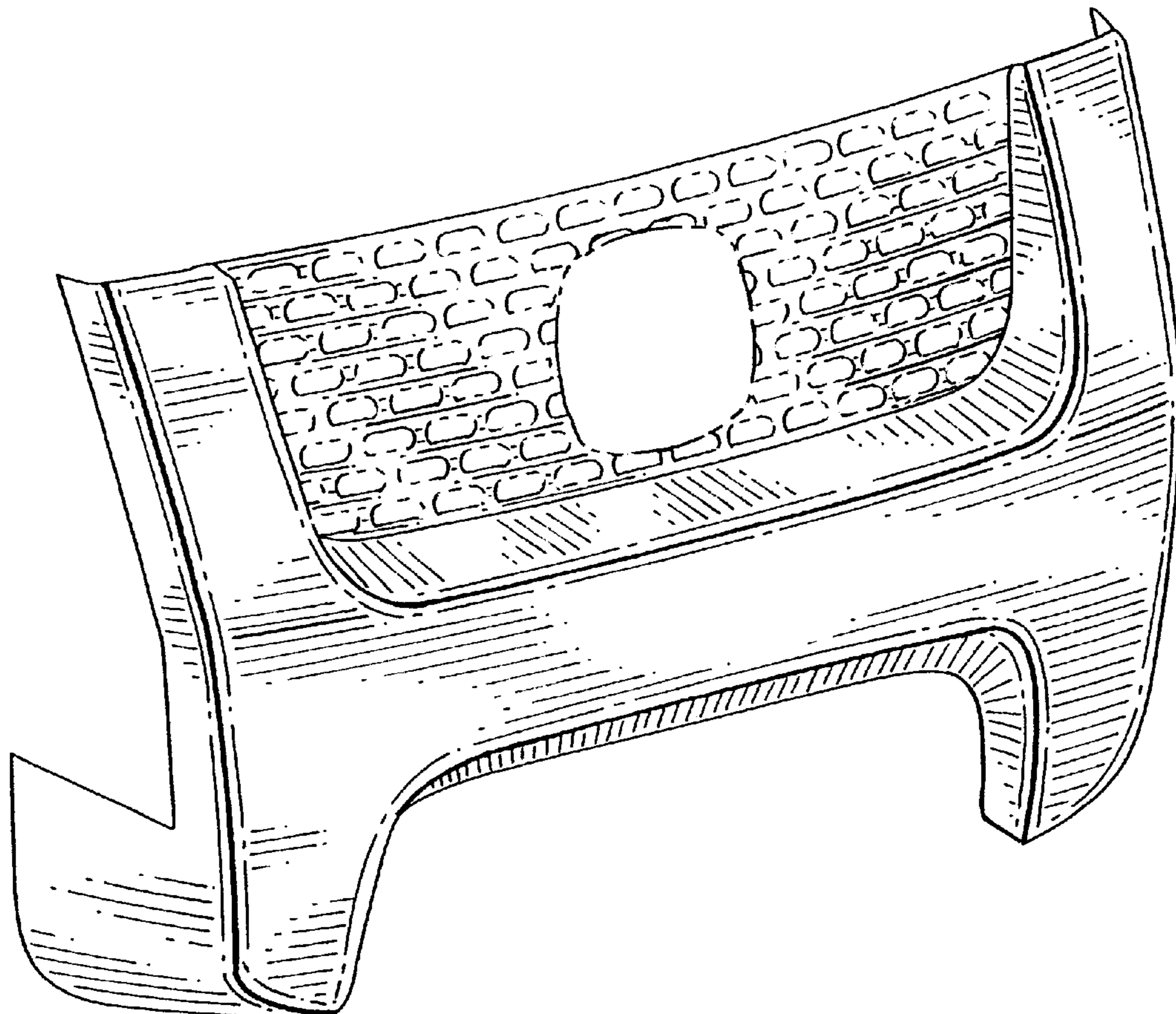
FIG. 4 is a front view of the grille design of FIG. 1.

FIG. 5 is a bottom view of the grille design of FIG. 1.

FIG. 6 is a right side view of the grille design of FIG. 1; and, FIG. 7 is a left side view of the grille design of FIG. 1.

The broken lines shown in FIG. 1 of the drawing are for illustrative purposes and form no part of the claimed design.

1 Claim, 3 Drawing Sheets



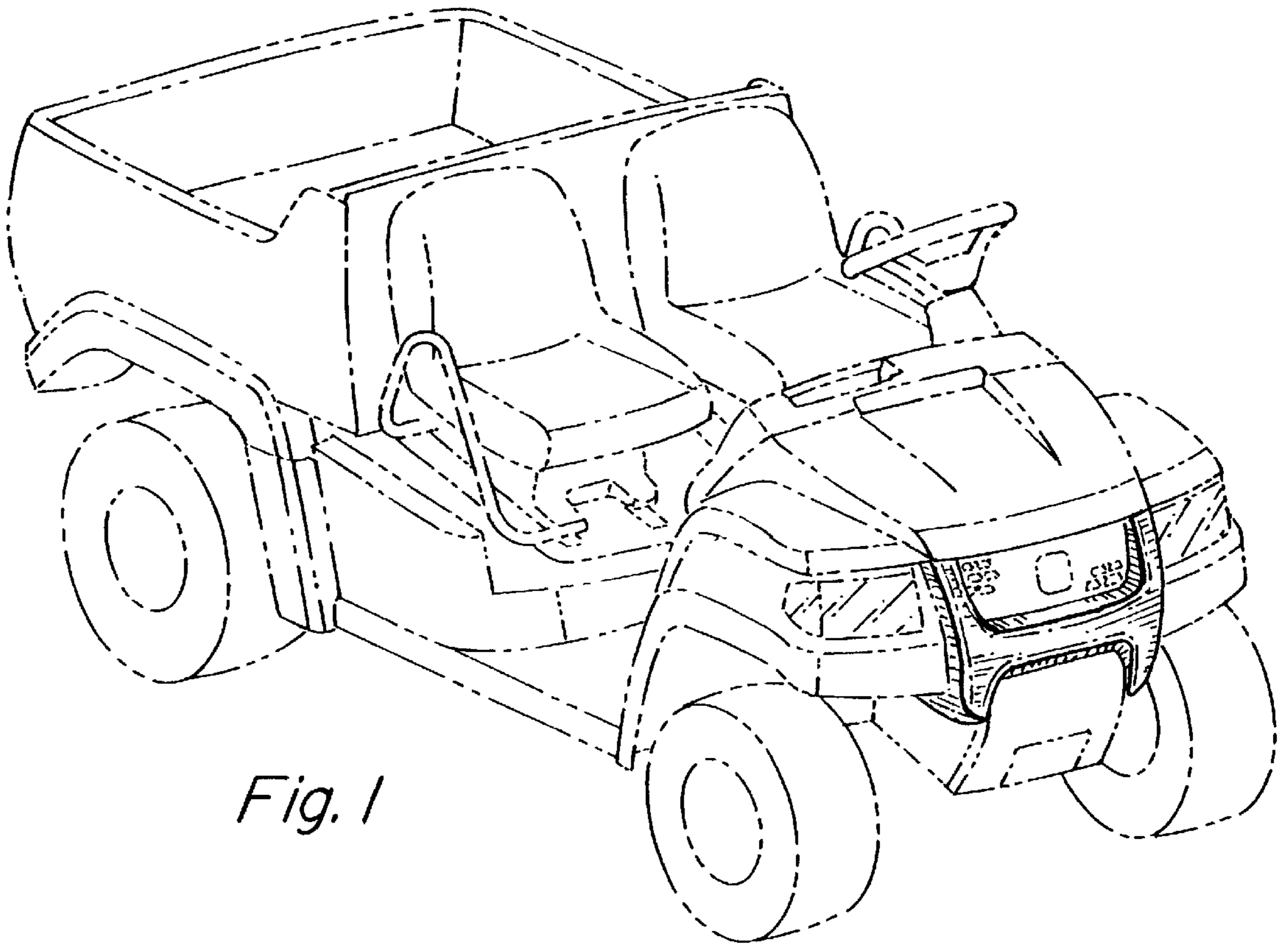


Fig. 1

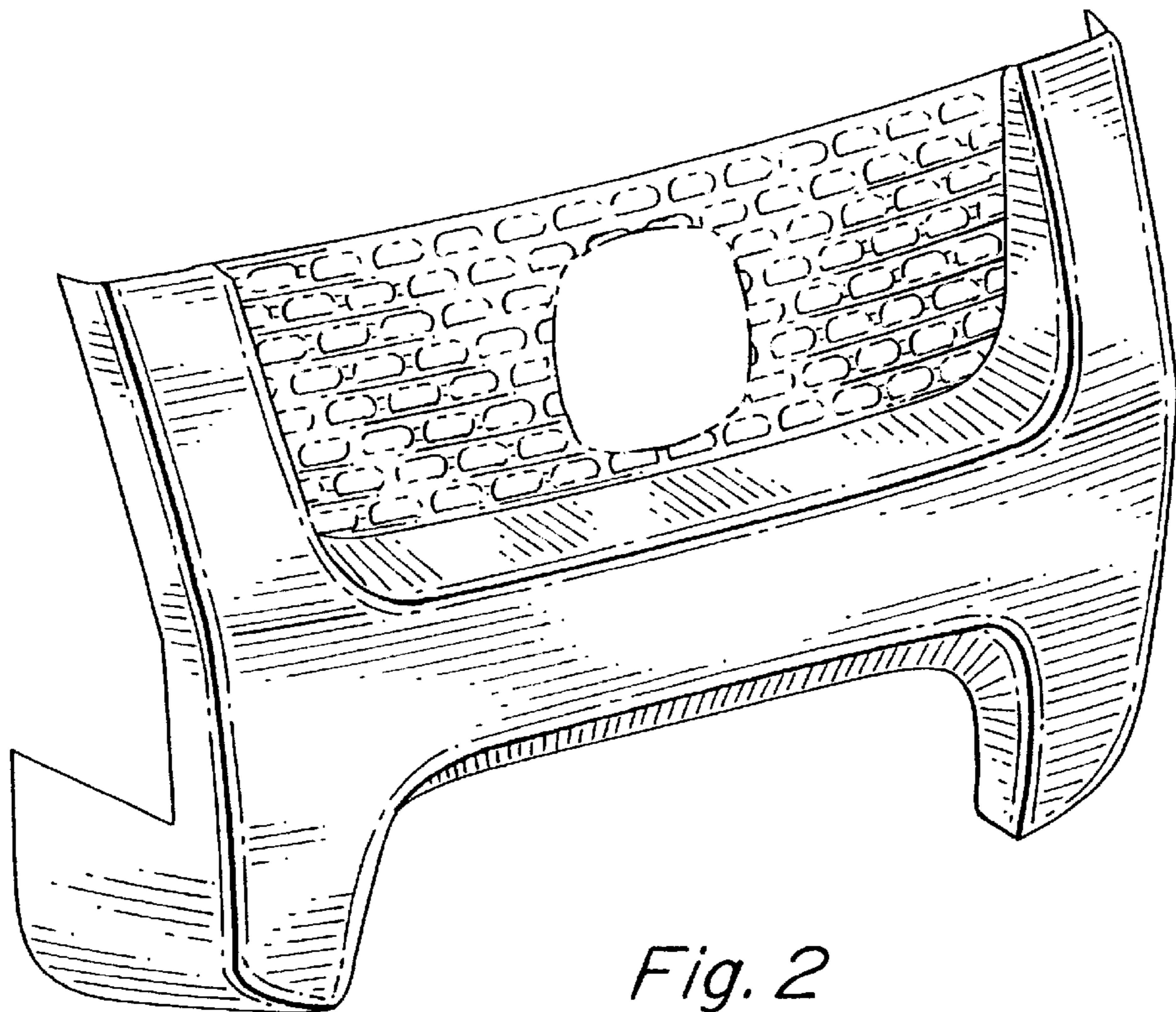


Fig. 2

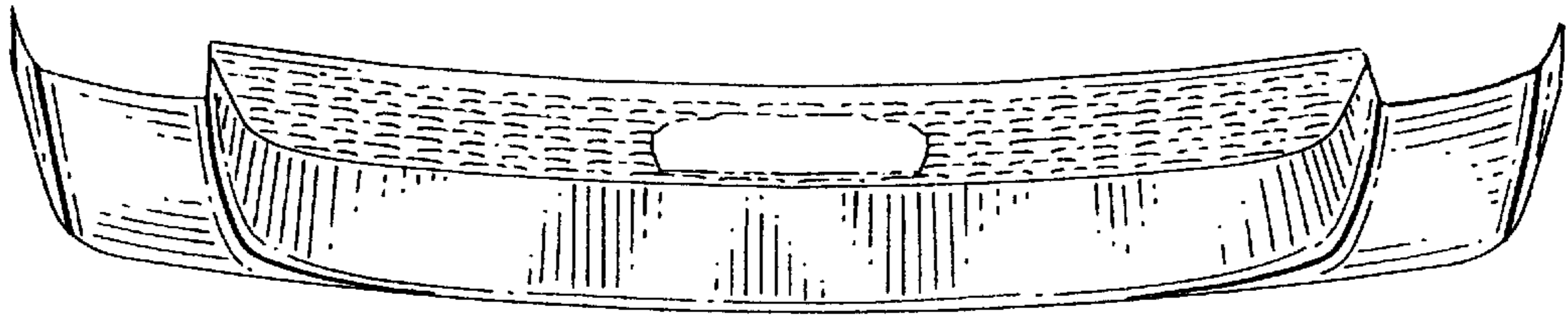


Fig. 3

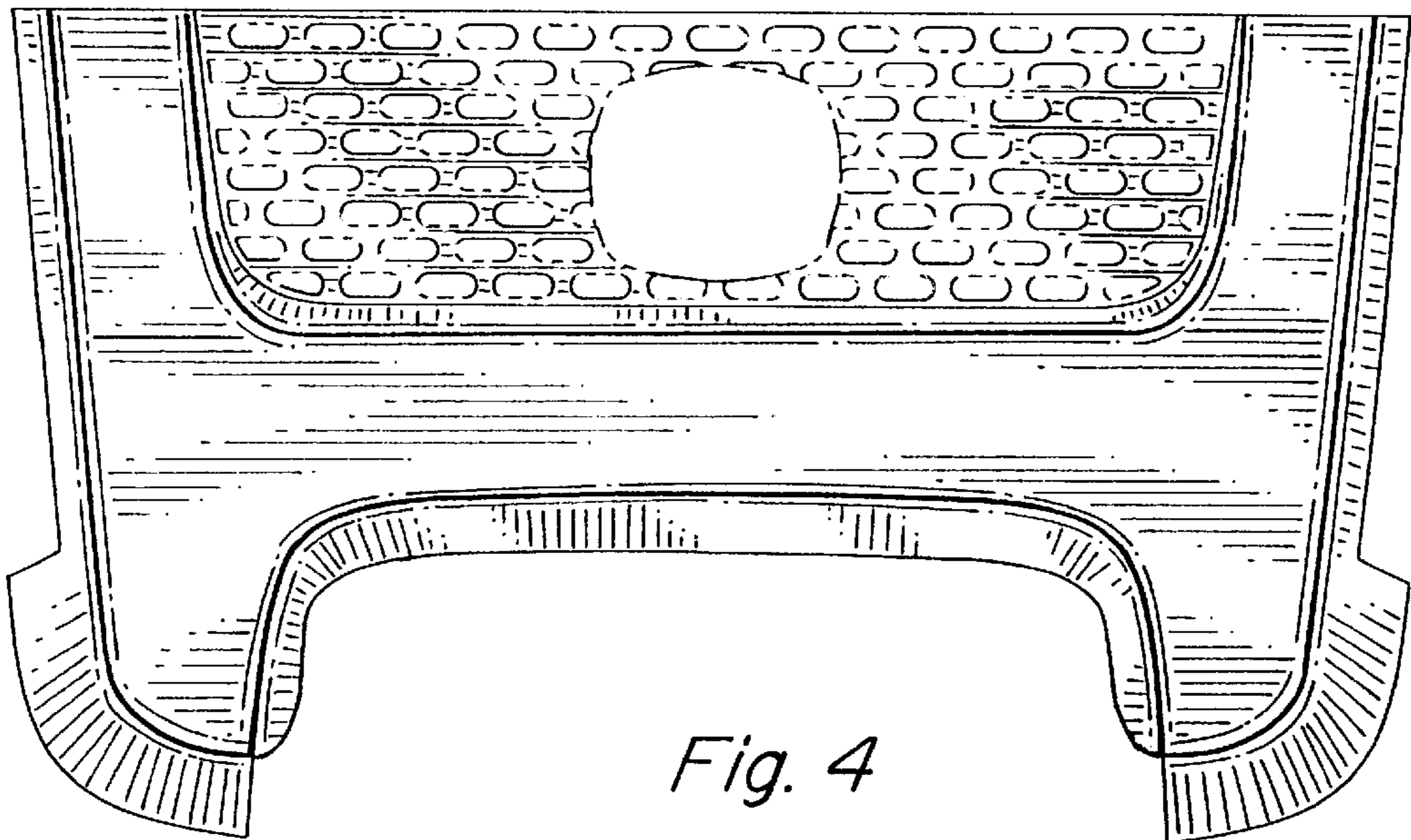


Fig. 4

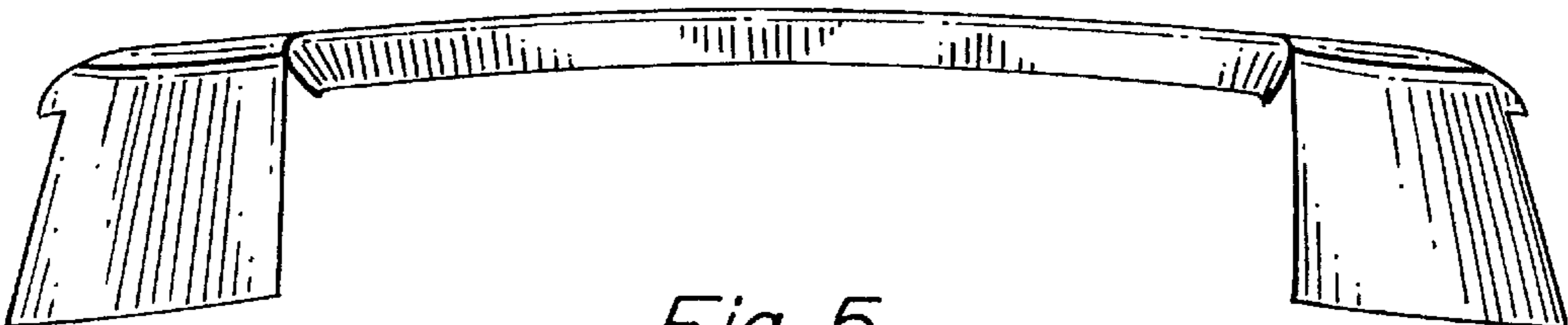


Fig. 5

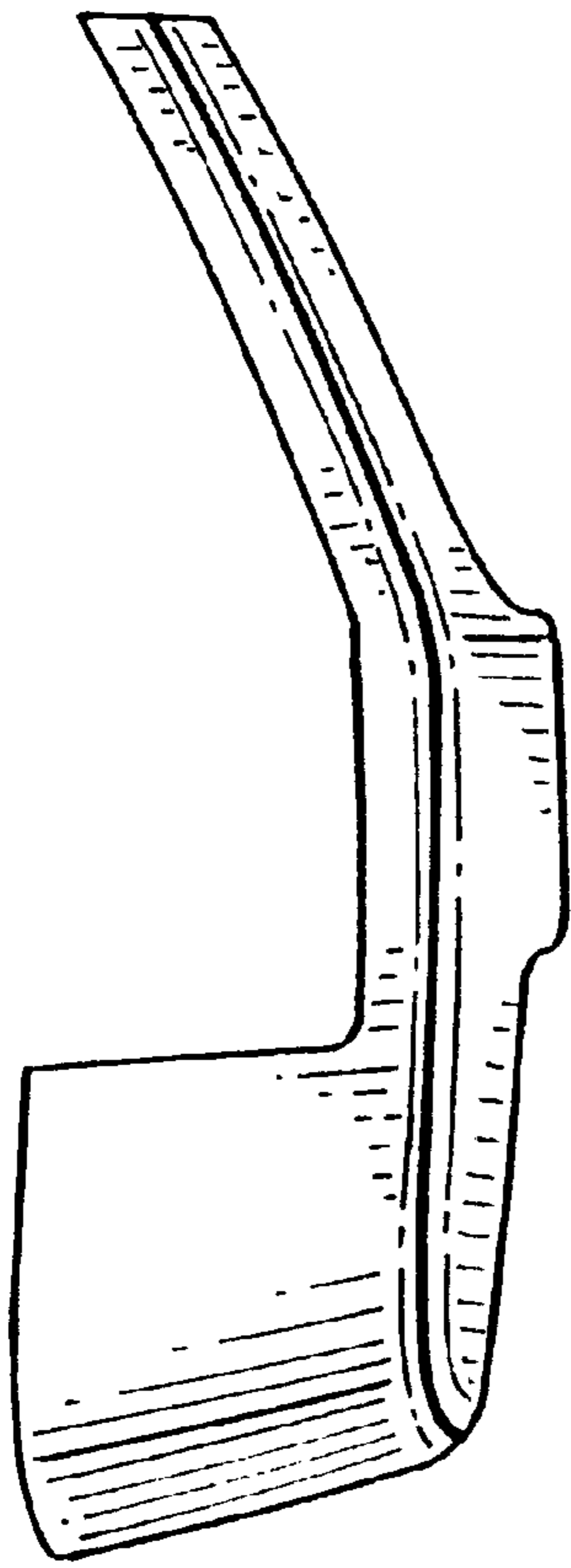


Fig. 6

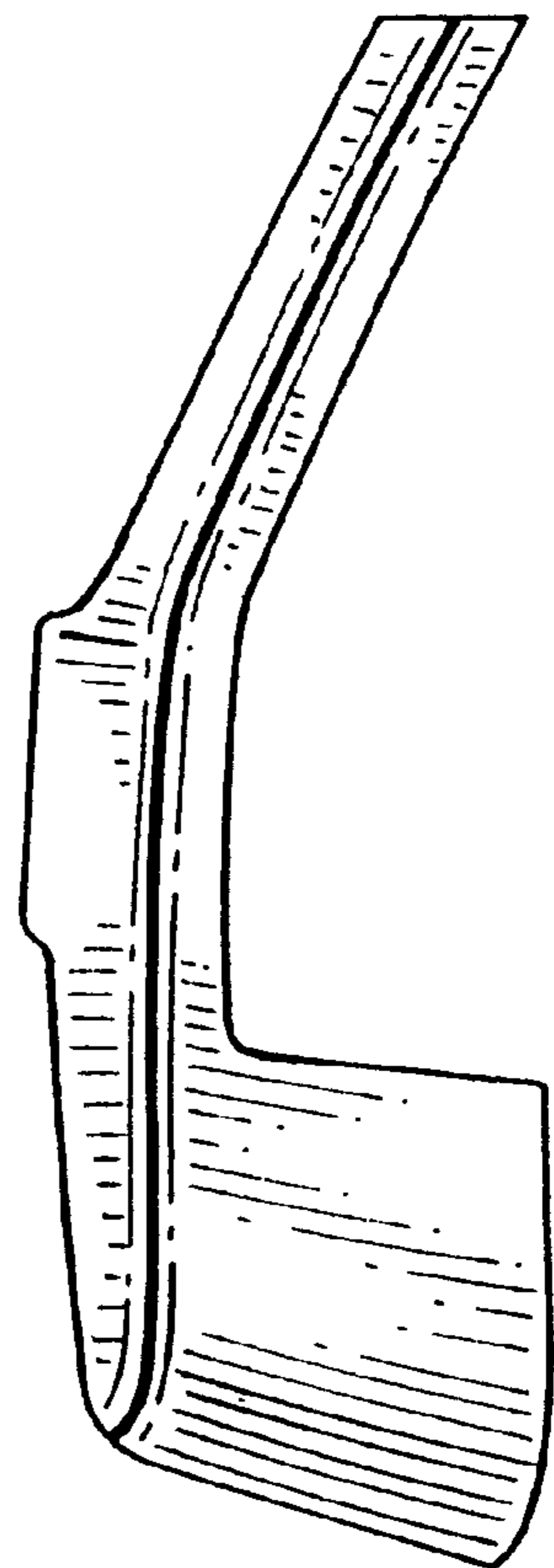


Fig. 7