



US00D472853S

(12) **United States Design Patent**  
**Lai-shan**

(10) **Patent No.:** **US D472,853 S**

(45) **Date of Patent:** **\*\* Apr. 8, 2003**

(54) **INFANT WALKER**

(75) **Inventor:** **Sannie Chan Lai-shan, Ma On Shan (HK)**

(73) **Assignee:** **VTech Electronics, Ltd., Tai Po (HK)**

(\*\*) **Term:** **14 Years**

(21) **Appl. No.:** **29/146,774**

(22) **Filed:** **Aug. 15, 2001**

(51) **LOC (7) Cl.** ..... **12-12**

(52) **U.S. Cl.** ..... **D12/130**

(58) **Field of Search** ..... **D12/128, 129, D12/130, 133; D21/533, 534, 535, 536; 297/5, 6; 280/87.051**

(56) **References Cited**

**U.S. PATENT DOCUMENTS**

D417,417 S	*	12/1999	Keegan et al.	.....	D12/130
D441,694 S	*	5/2001	Kjell et al.	.....	D12/130
D448,706 S	*	10/2001	Ferm	.....	D12/130

\* cited by examiner

*Primary Examiner*—Marcus A. Jackson

(74) *Attorney, Agent, or Firm*—Greenberg Traurig, P.C.

(57) **CLAIM**

The ornamental design for an infant walker, as described and shown.

**DESCRIPTION**

FIG. 1 is a front top perspective view of the infant walker in

the upright position, with the activity center portion attached, showing my new ornamental design thereof;

FIG. 2 is a rear elevational view thereof;

FIG. 3 is a front elevational view thereof;

FIG. 4 is a right side elevational view thereof;

FIG. 5 is a left side elevational view thereof;

FIG. 6 is a bottom plan view thereof;

FIG. 7 is a top plan view thereof;

FIG. 8 is a front top perspective view of the infant walker shown in FIG. 1, in the upright position, with the activity center portion removed;

FIG. 9 is a rear elevational view thereof;

FIG. 10 is a front elevational view thereof;

FIG. 11 is a right side elevational view thereof;

FIG. 12 is a left side elevational view thereof;

FIG. 13 is a bottom plan view thereof;

FIG. 14 is a top plan view thereof;

FIG. 15 is a front top perspective view of the infant walker shown in FIG. 1, in the retracted position, with the activity center portion removed;

FIG. 16 is a rear elevational view thereof;

FIG. 17 is a front elevational view thereof;

FIG. 18 is a right side elevational view thereof;

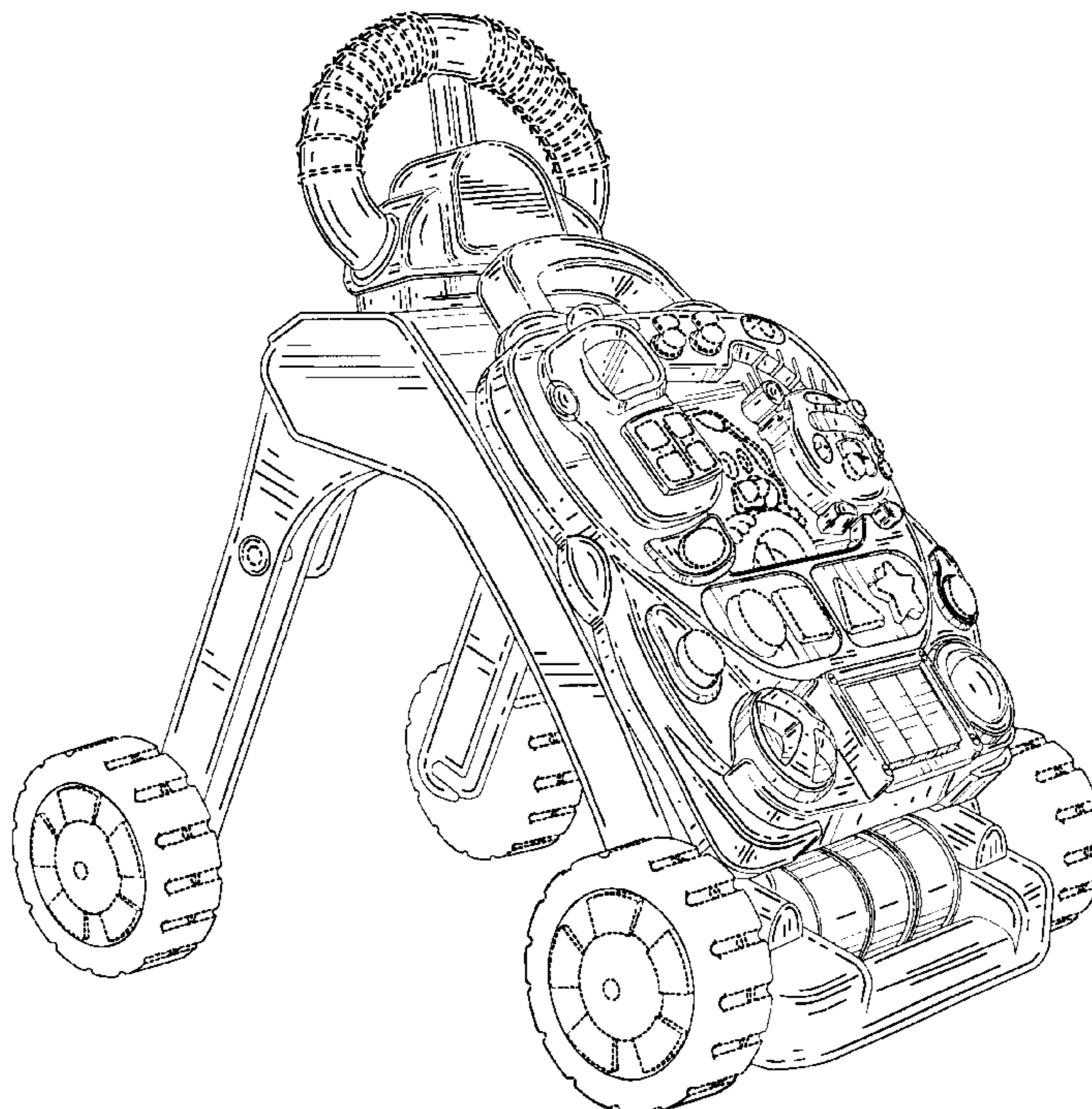
FIG. 19 is a left side elevational view thereof;

FIG. 20 is a top plan view thereof; and,

FIG. 21 is a bottom plan view thereof.

All items shown in broken lines are shown for illustrative purposes only and do not form part of the claimed invention.

**1 Claim, 19 Drawing Sheets**



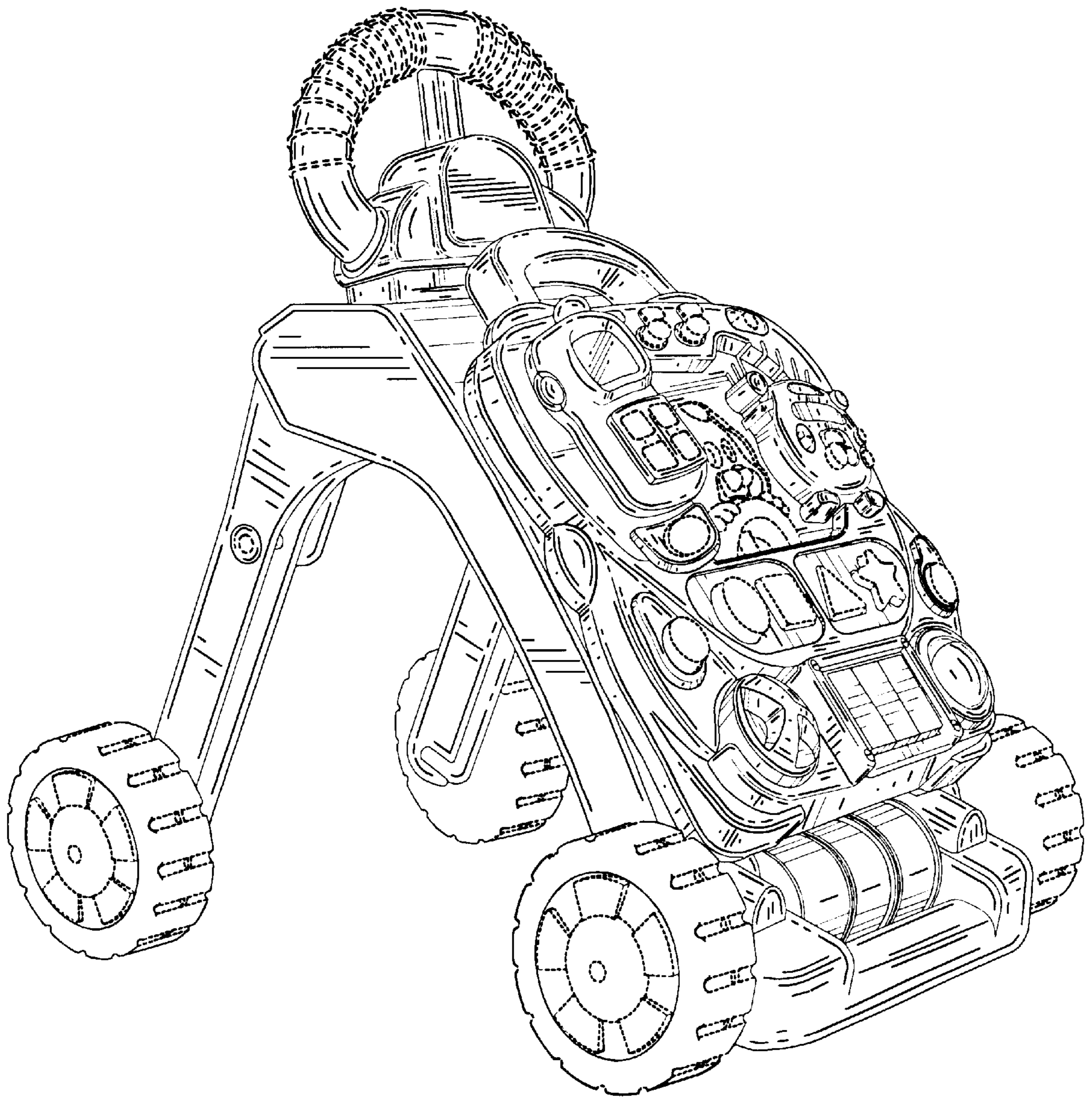


FIG. 1

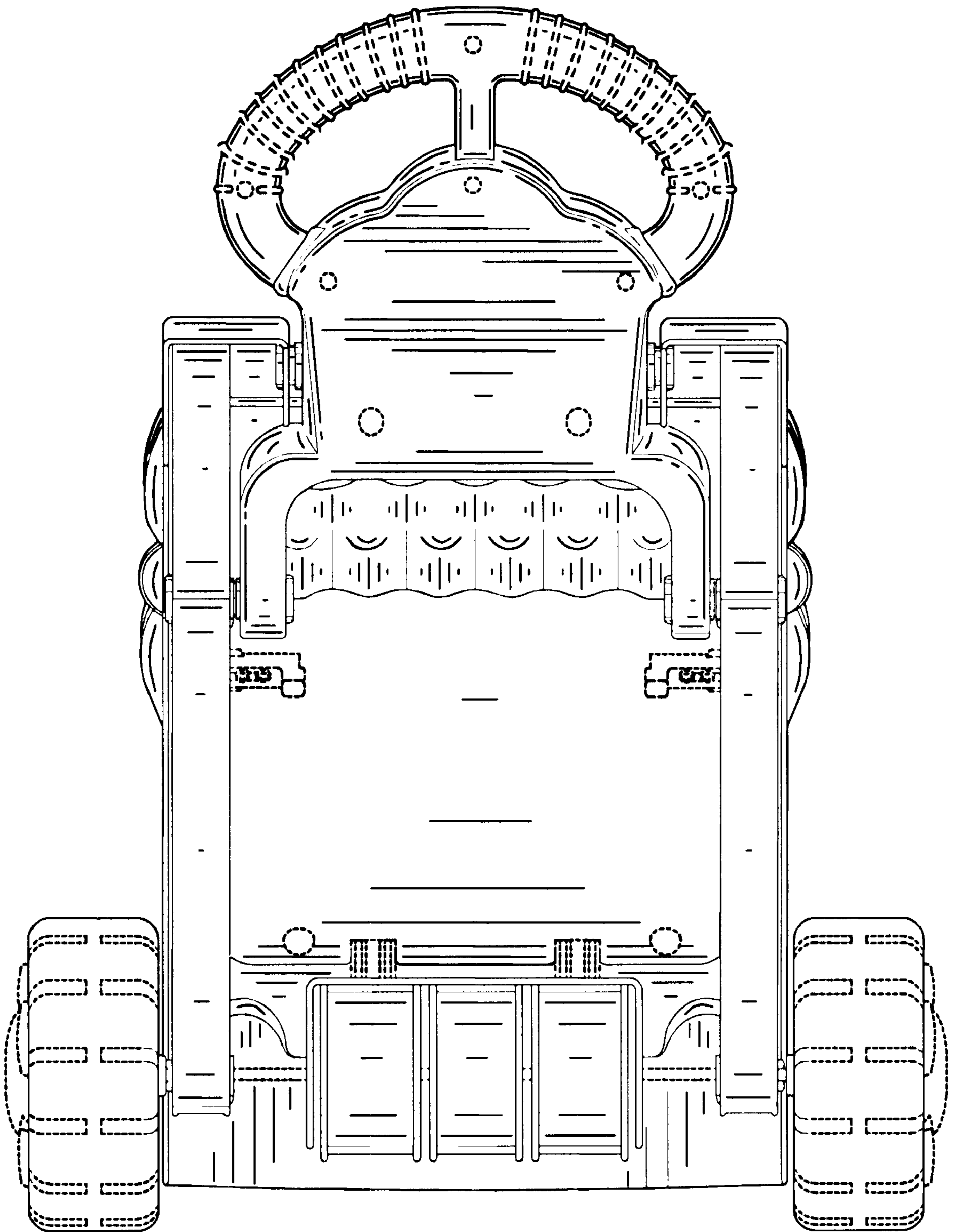


FIG. 2

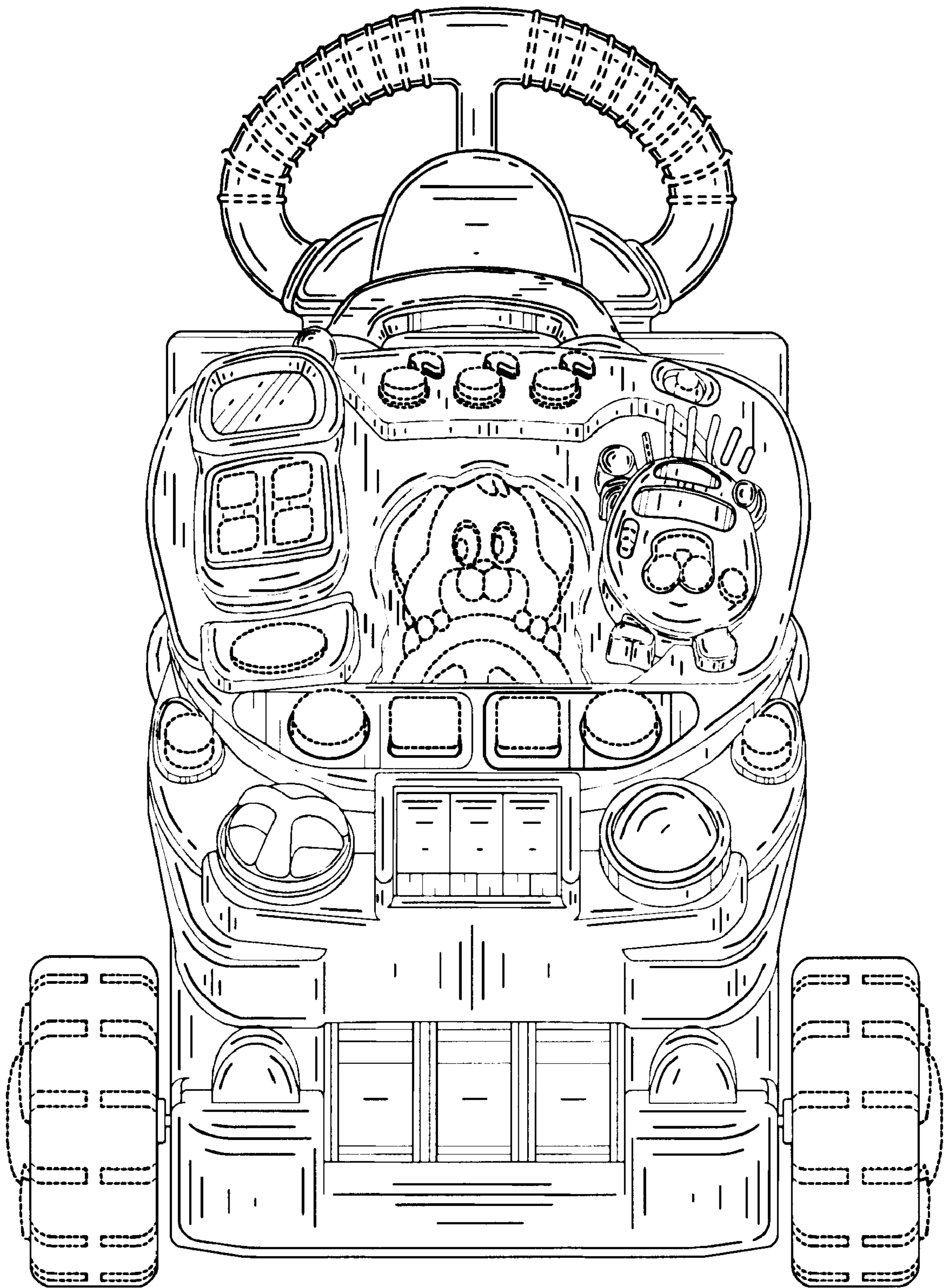


FIG. 3

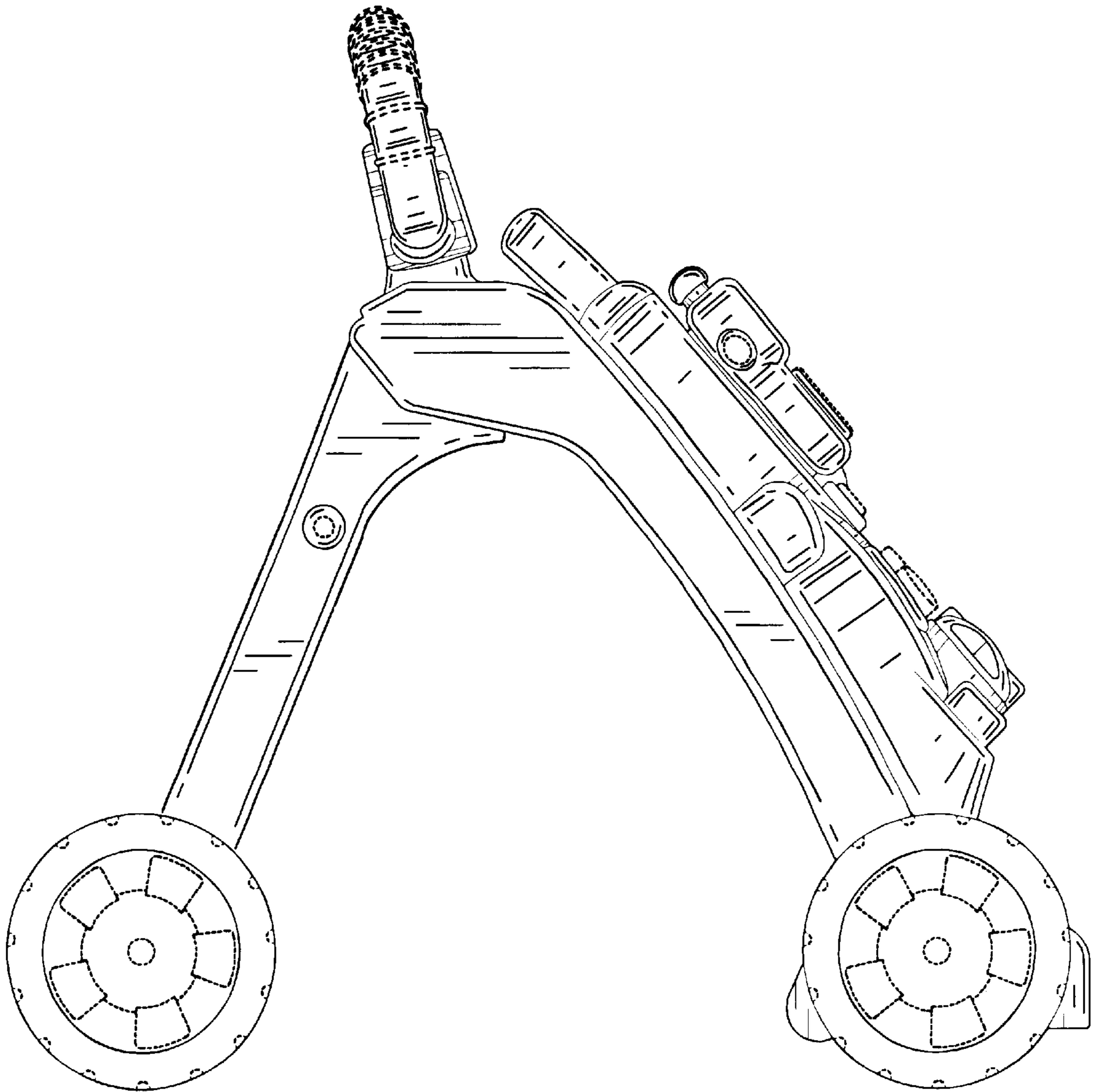


FIG. 4

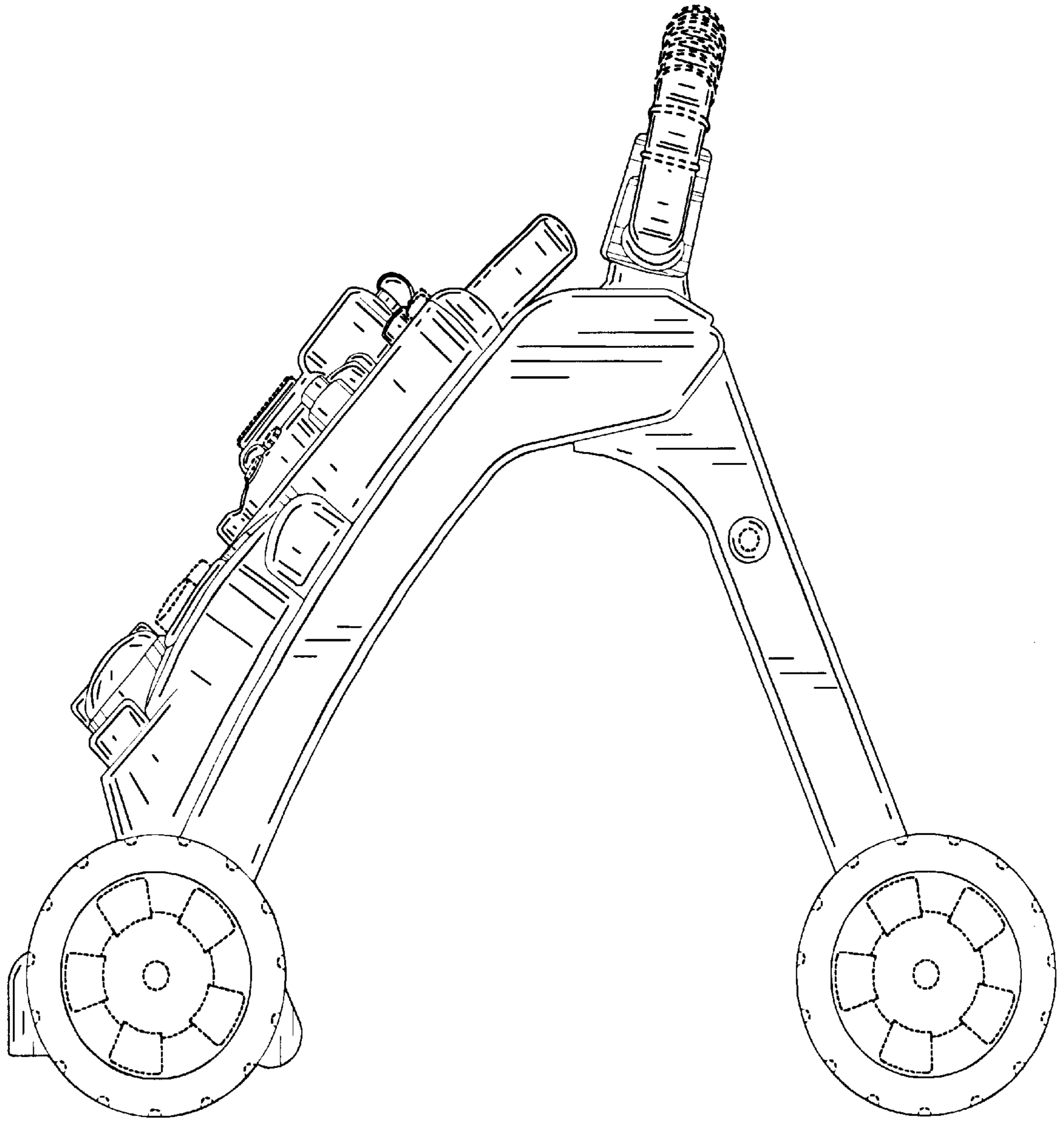


FIG. 5

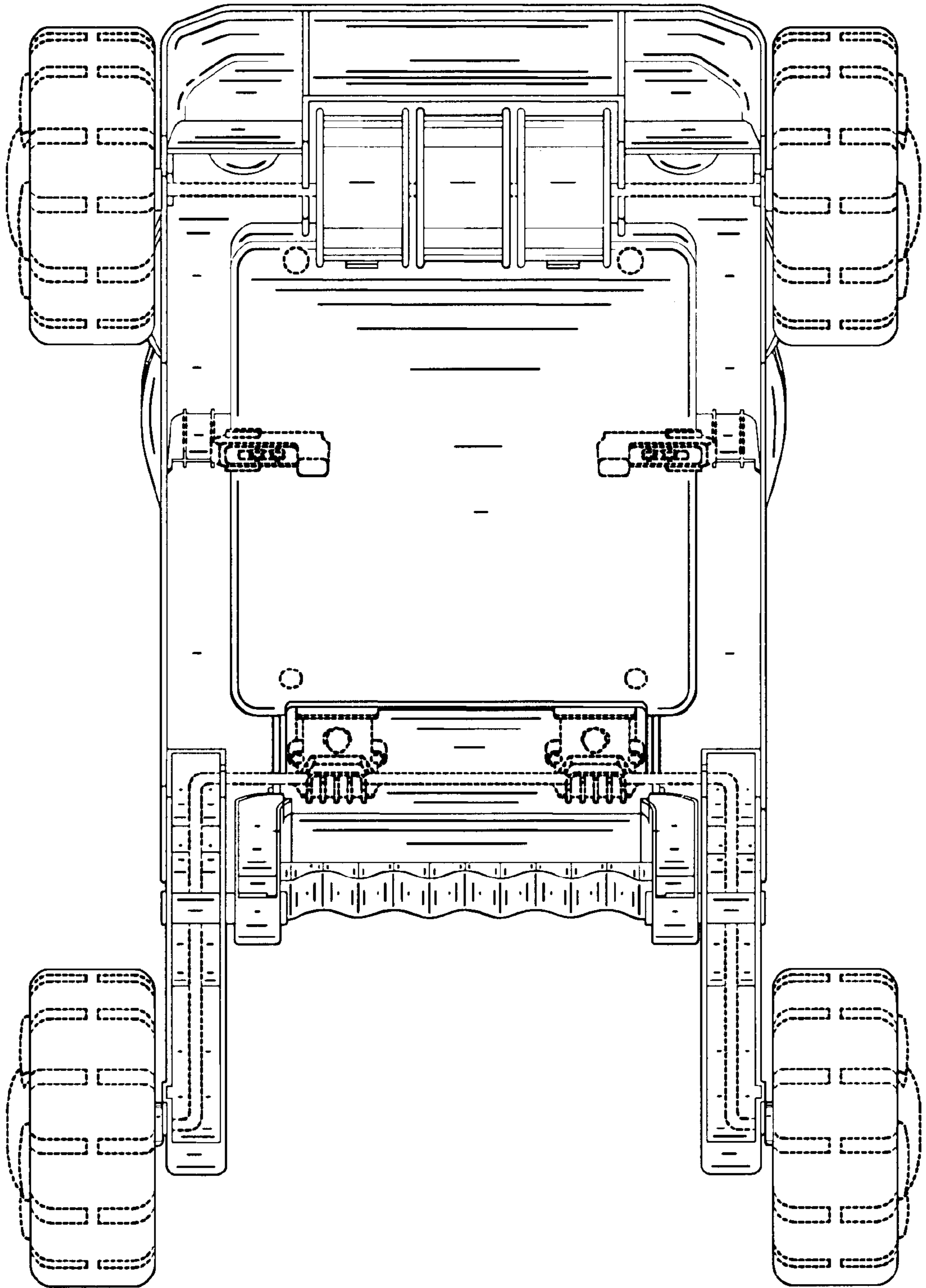


FIG. 6

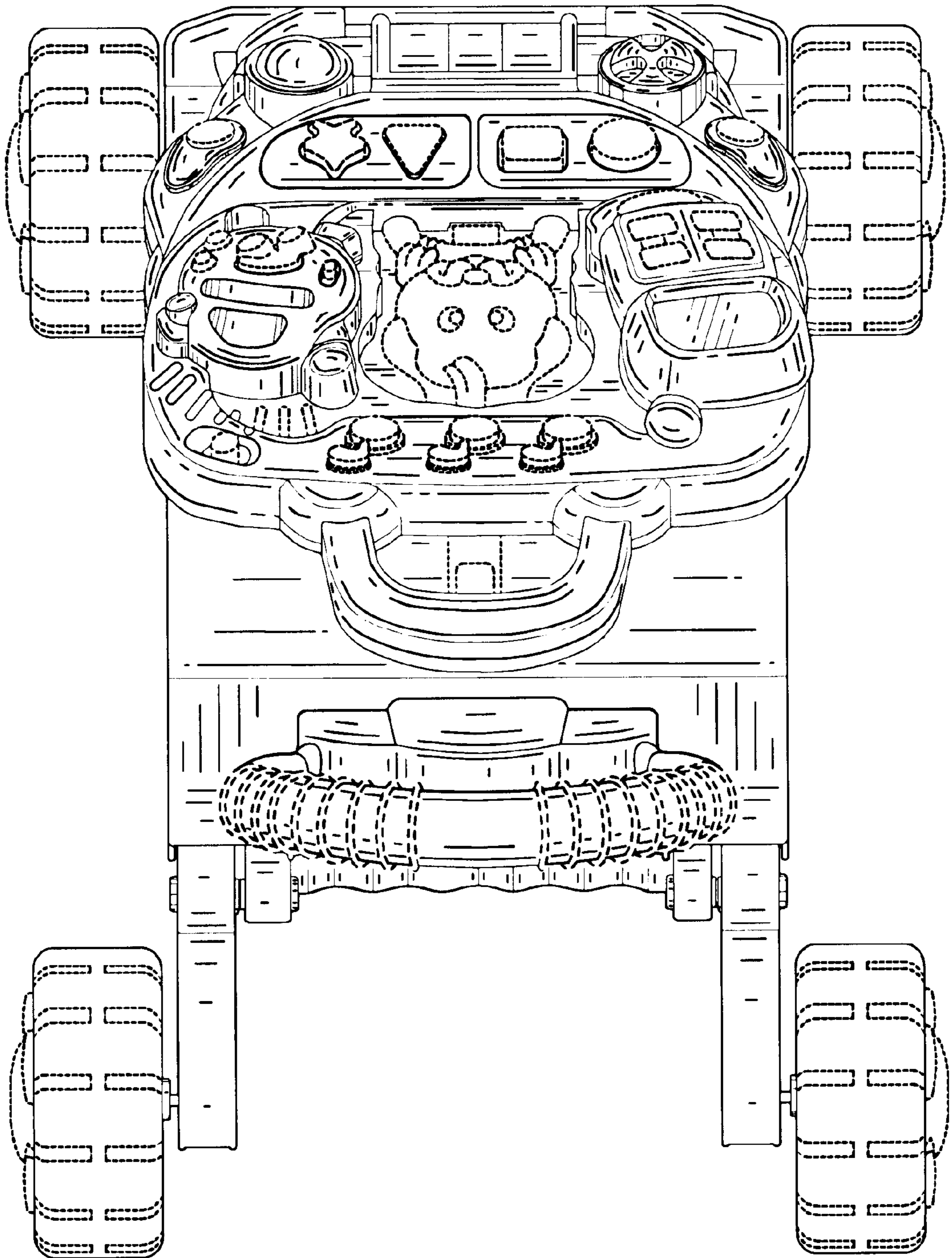


FIG. 7



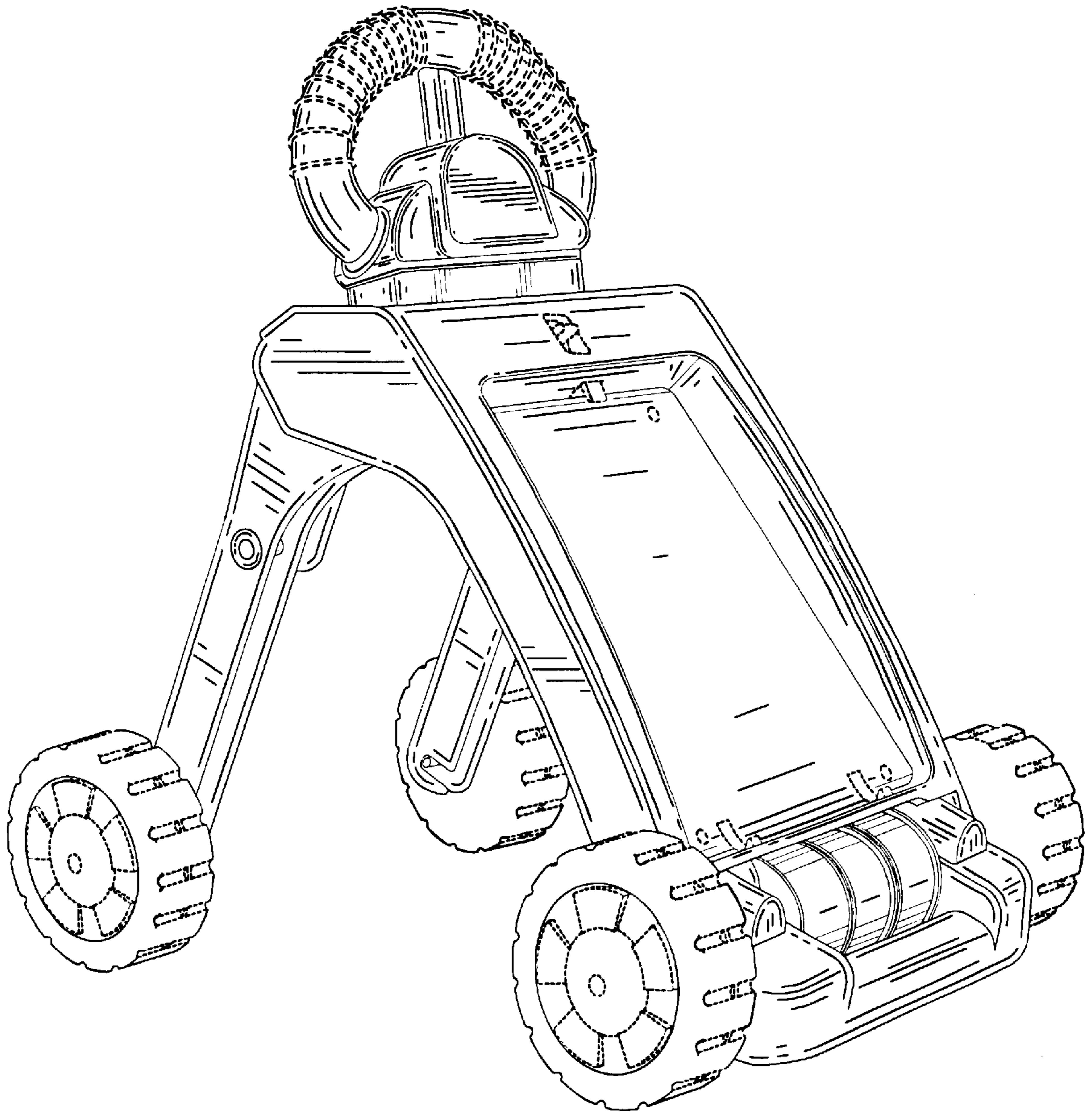


FIG. 8

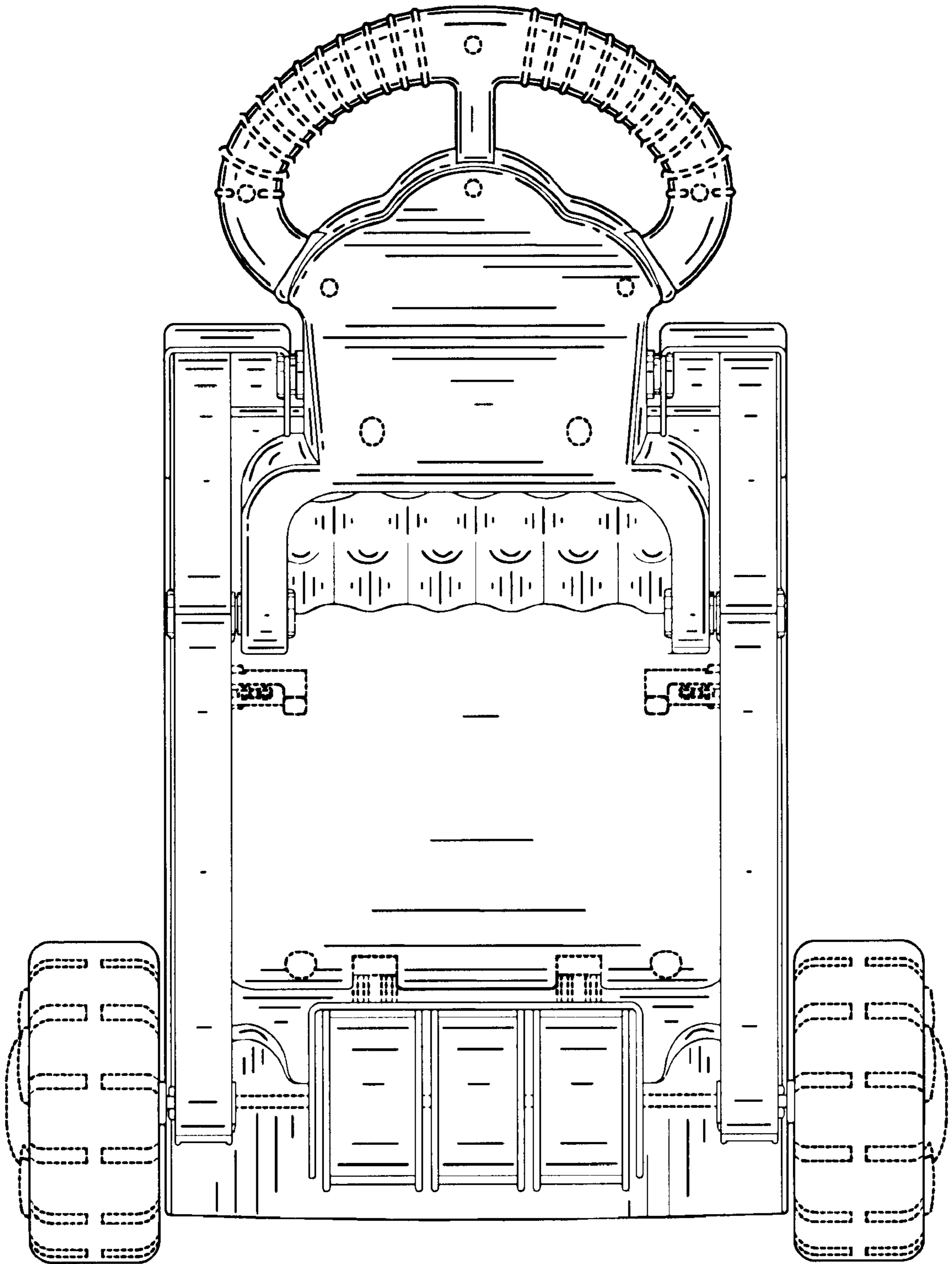


FIG. 9

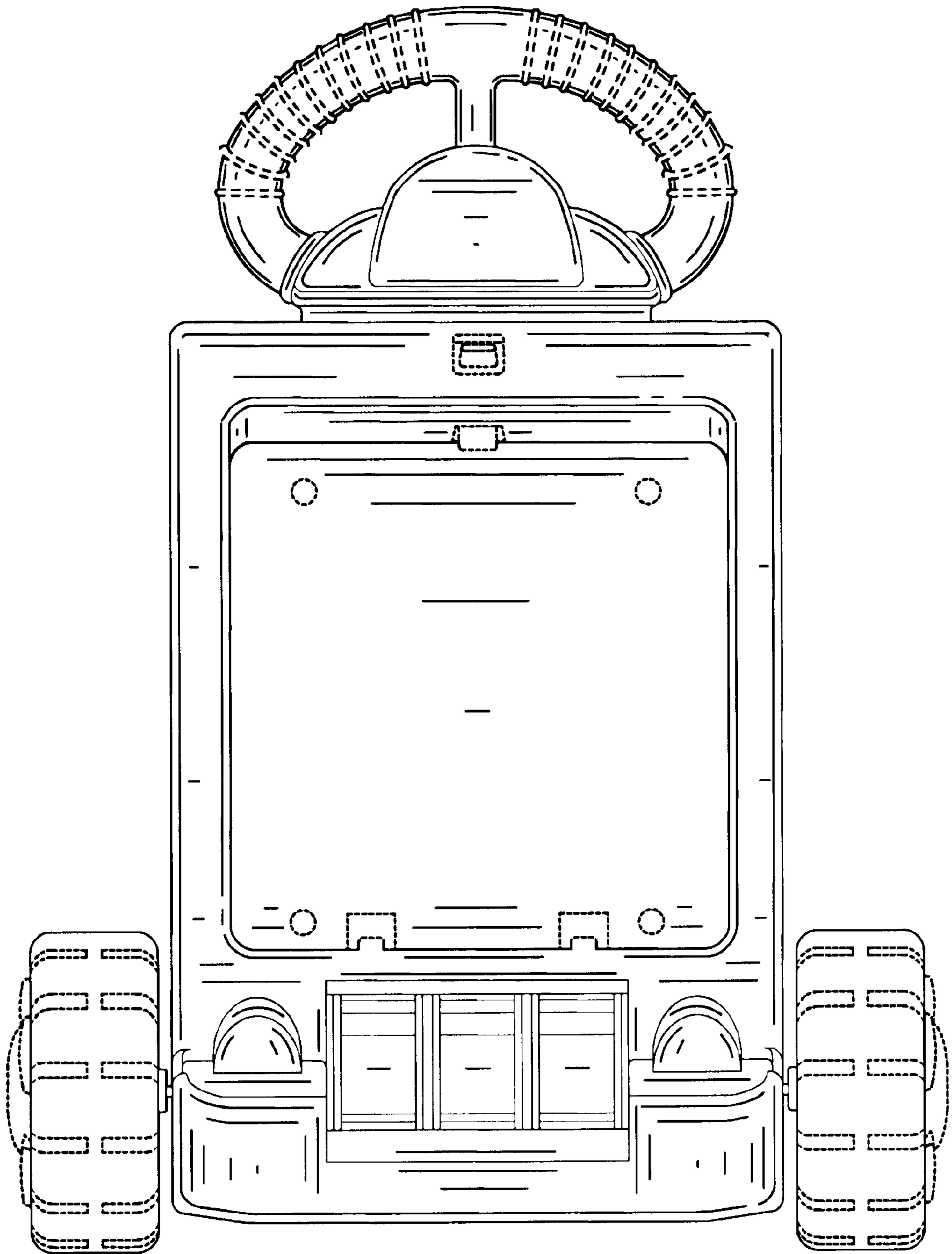


FIG. 10

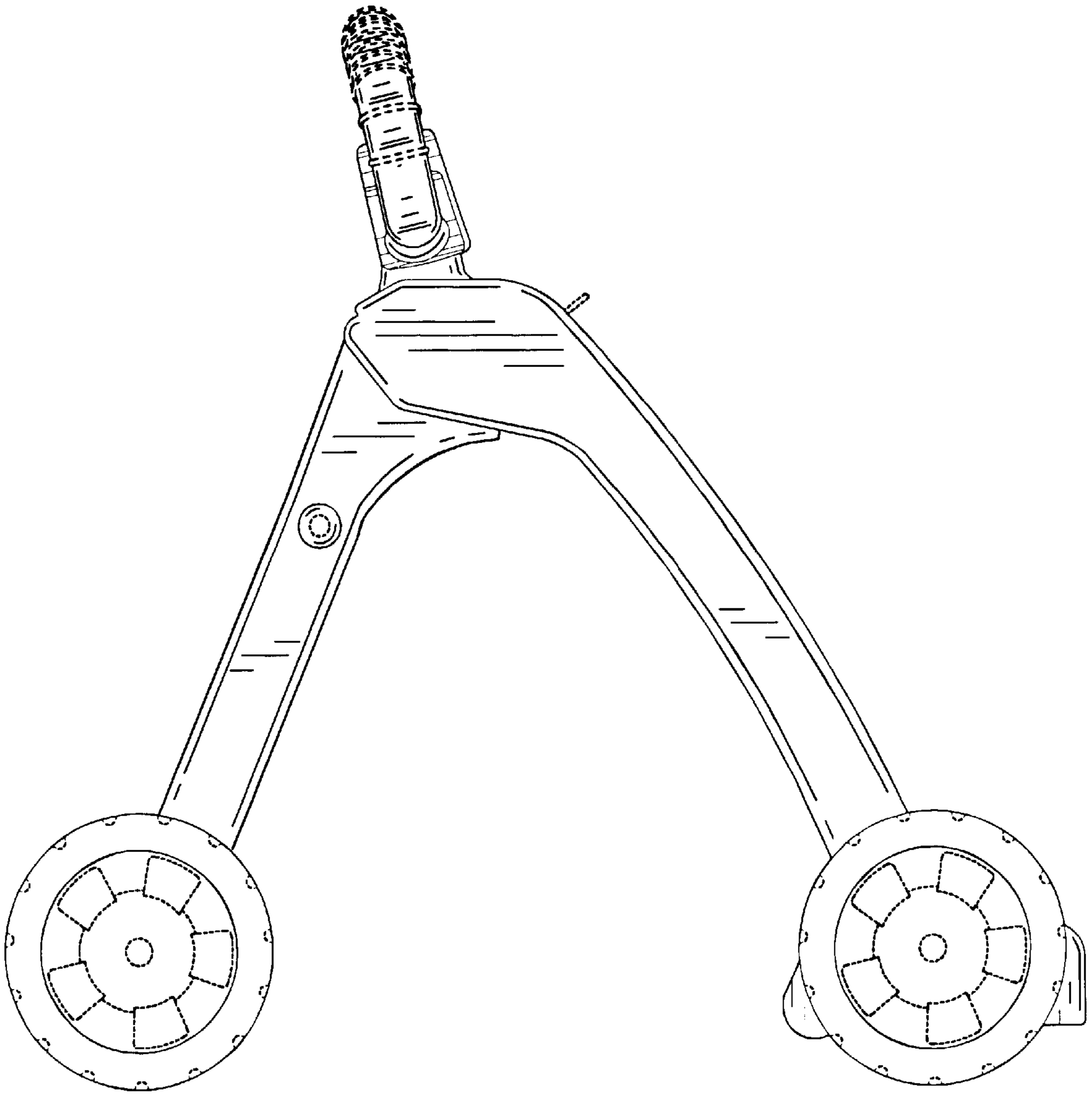


FIG. 11

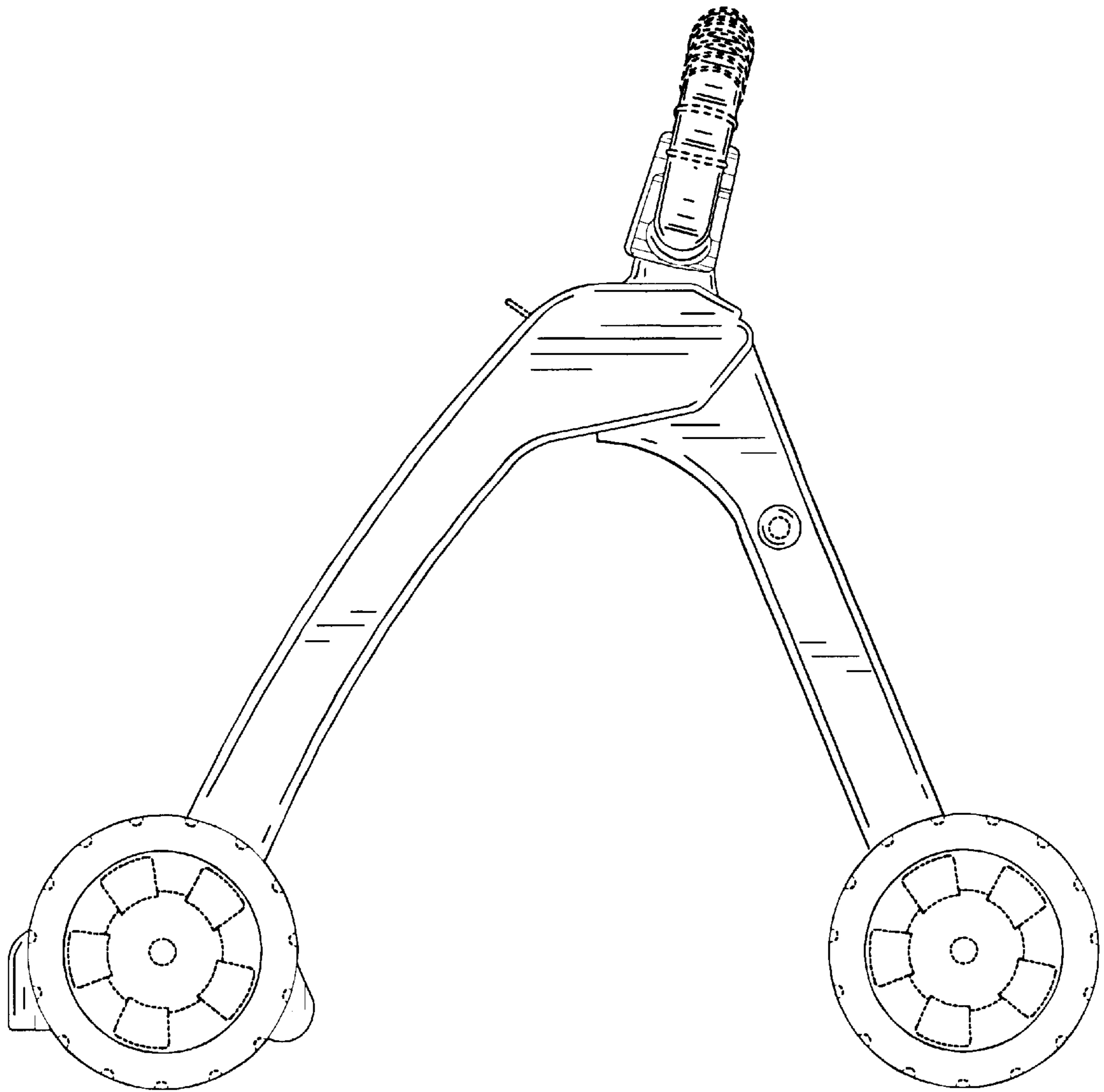


FIG. 12

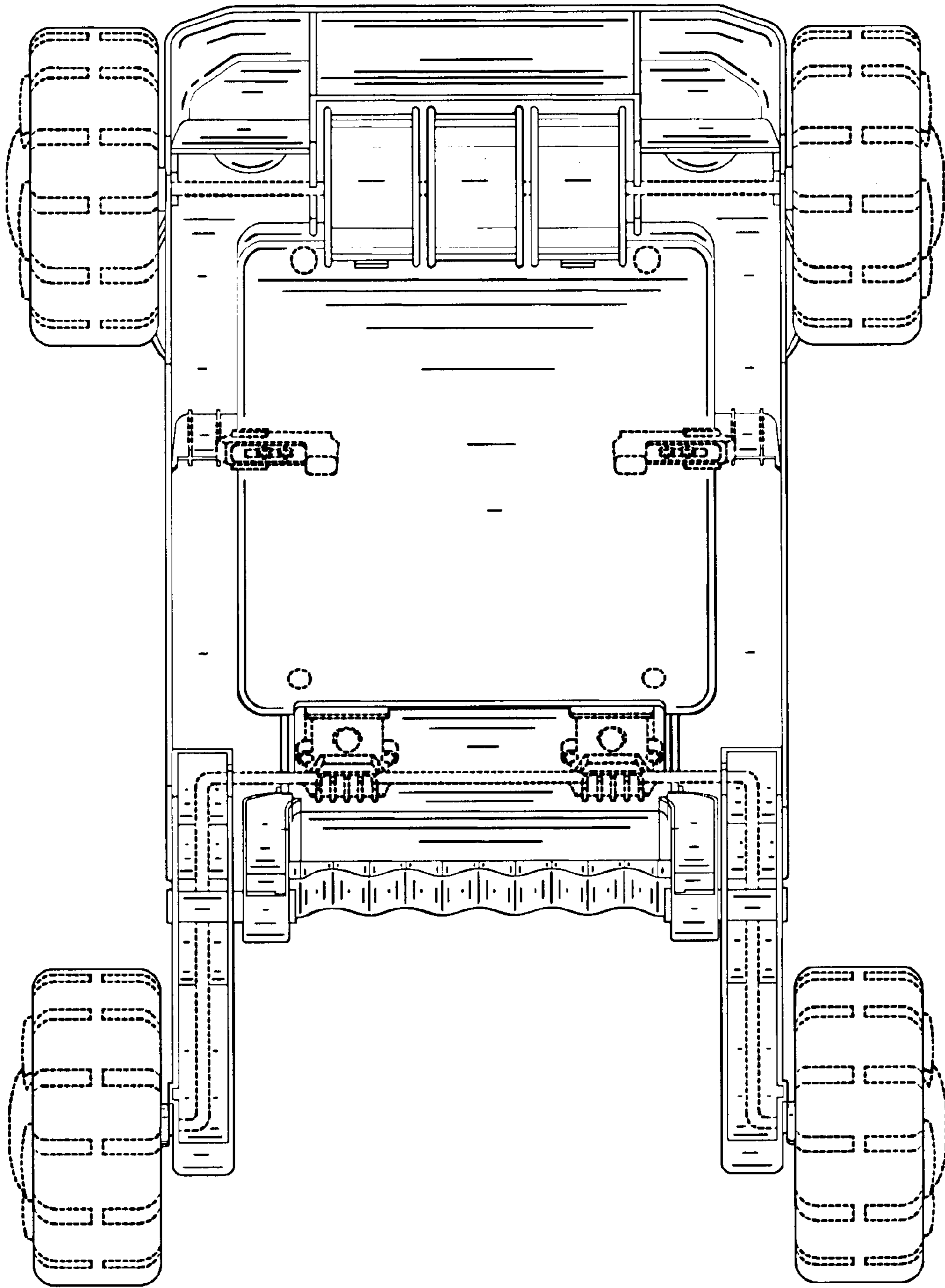


FIG. 13

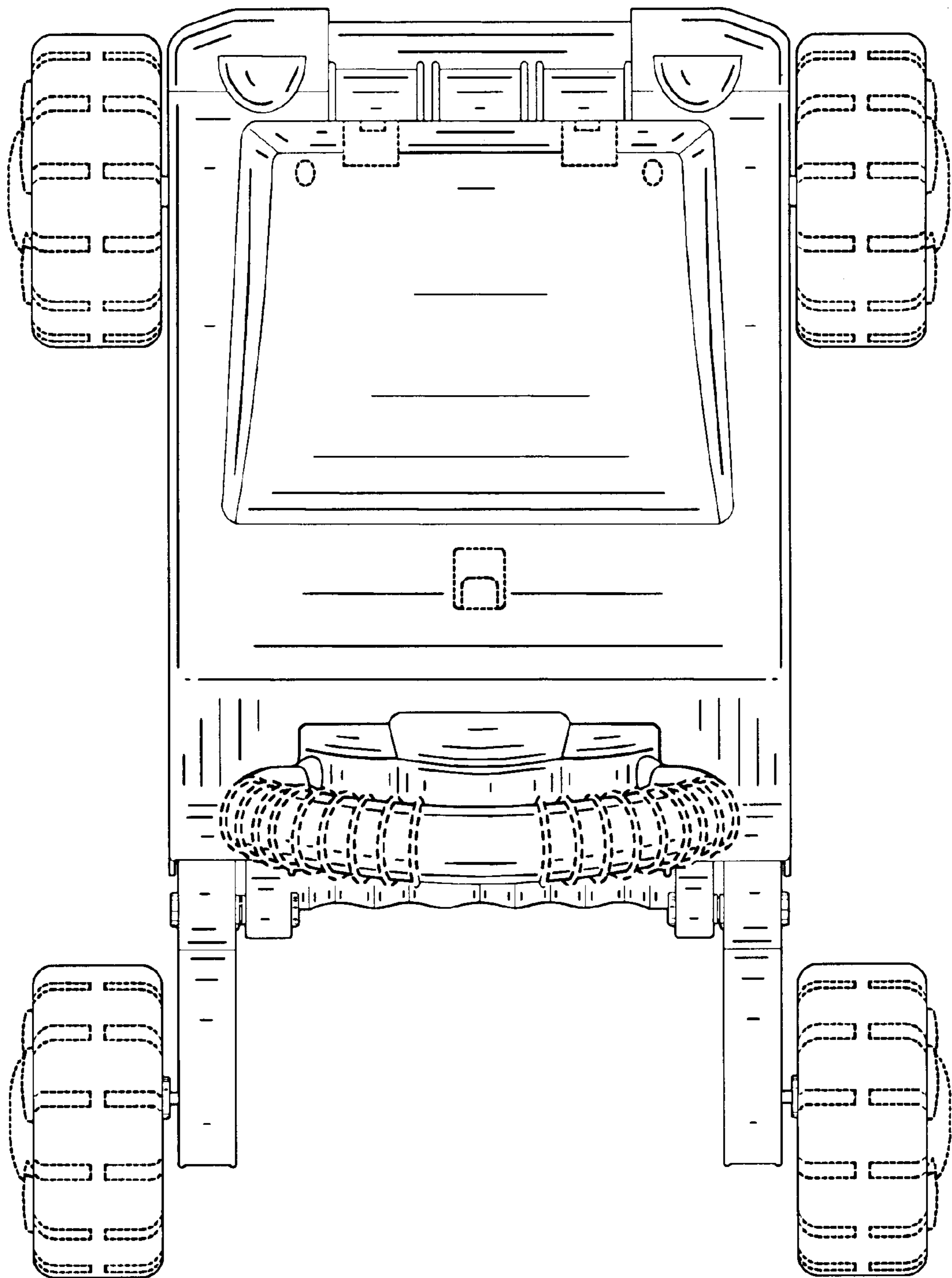


FIG. 14

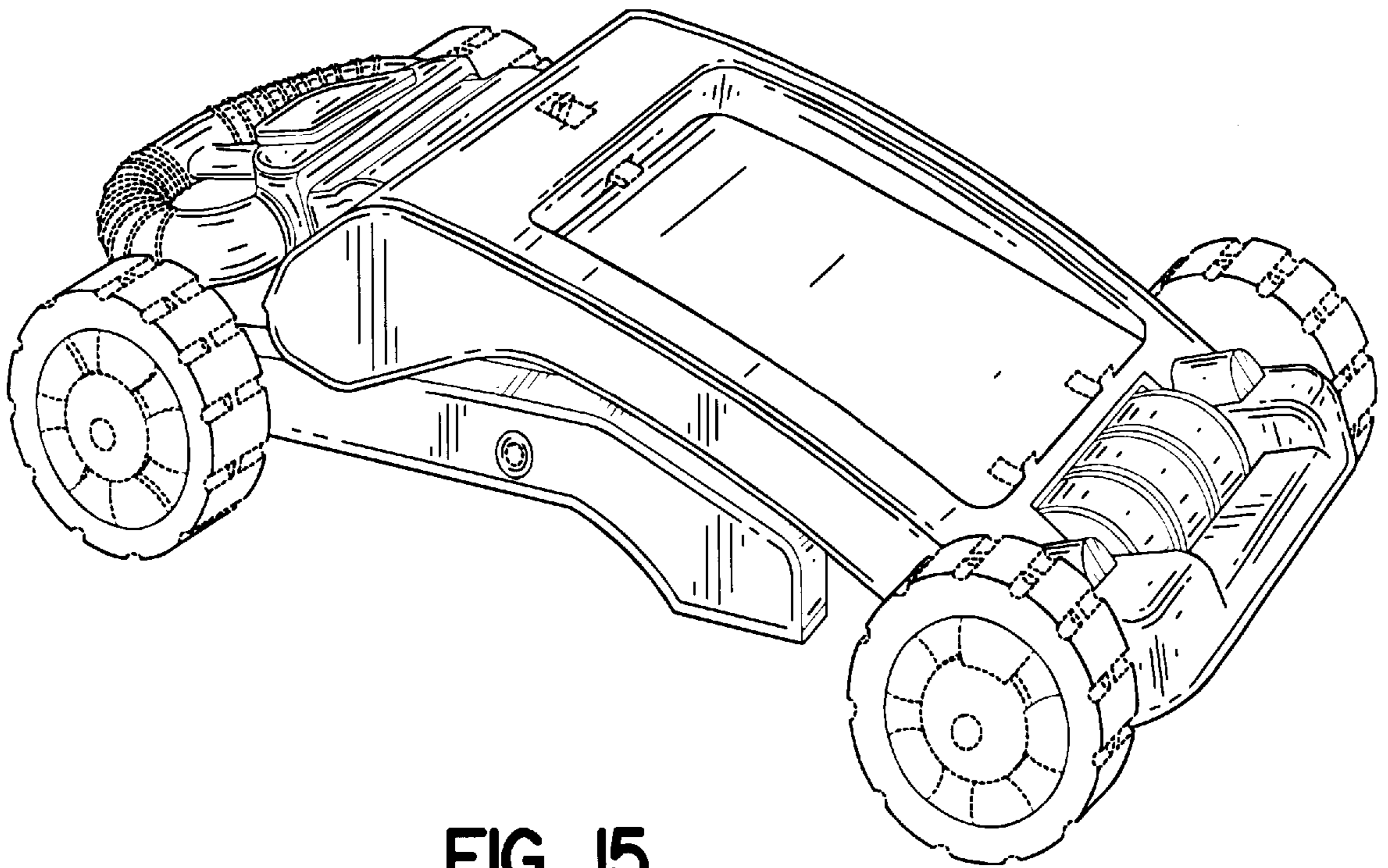


FIG. 15



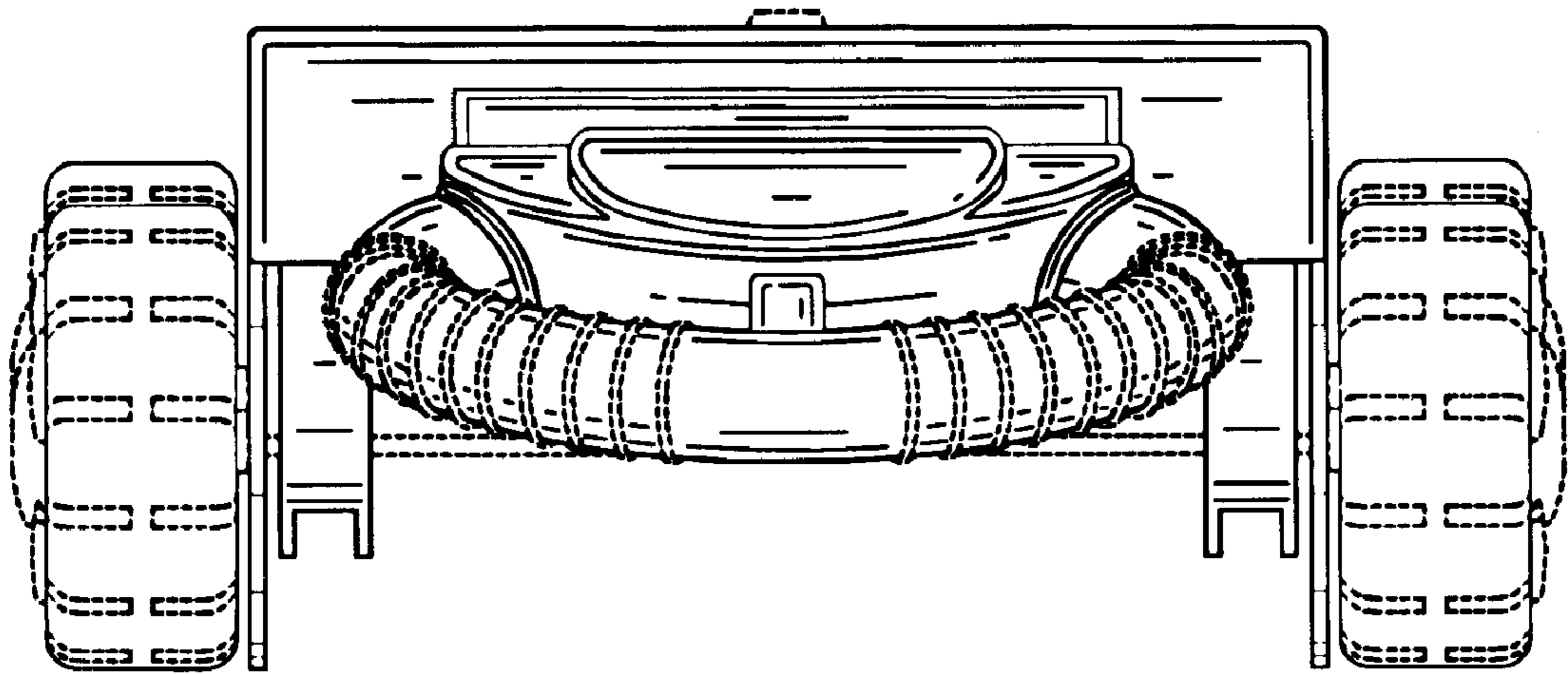


FIG. 16

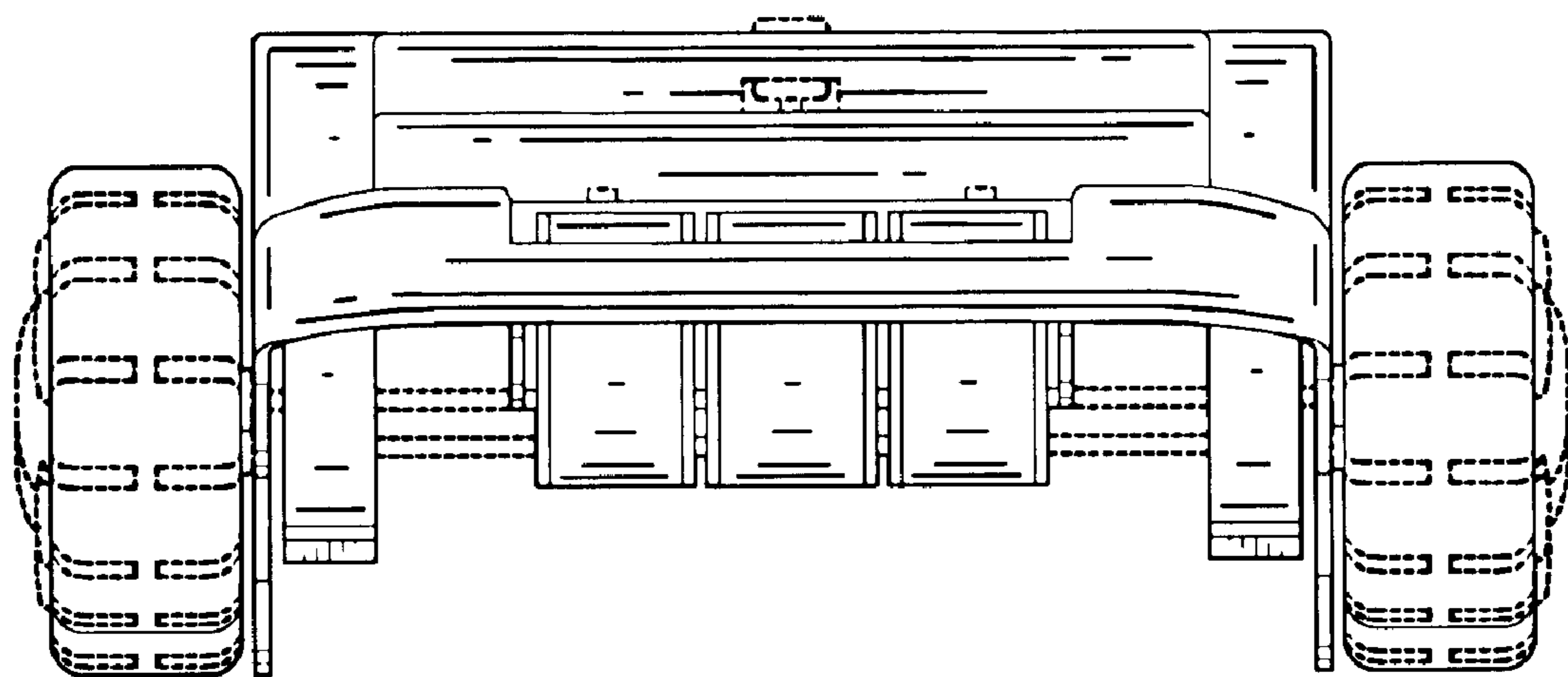


FIG. 17

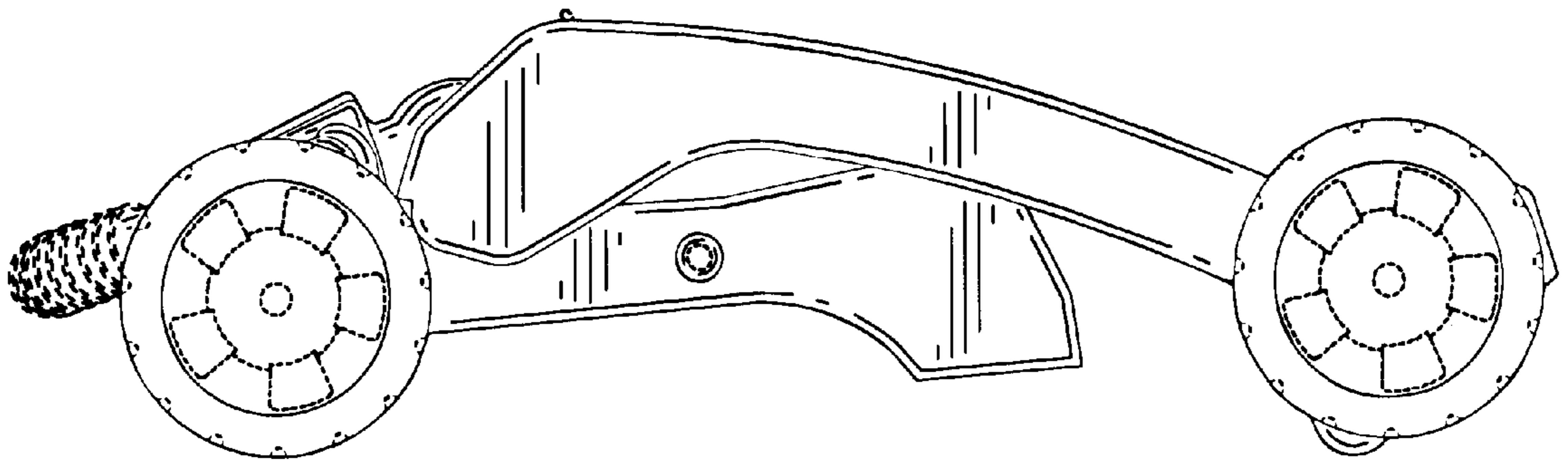


FIG. 18

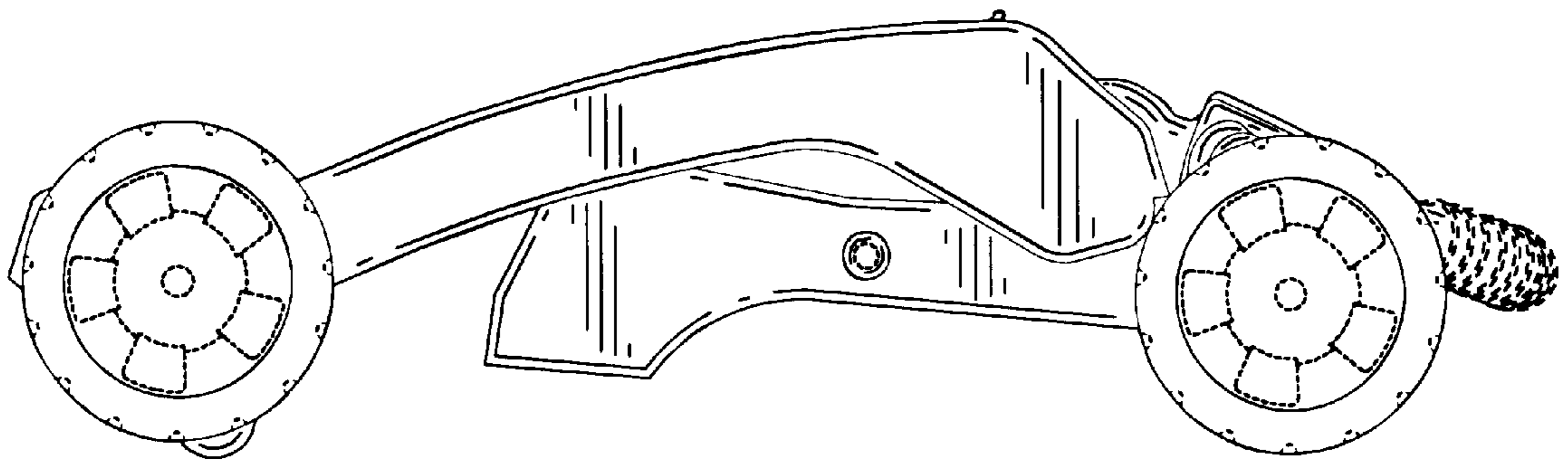


FIG. 19

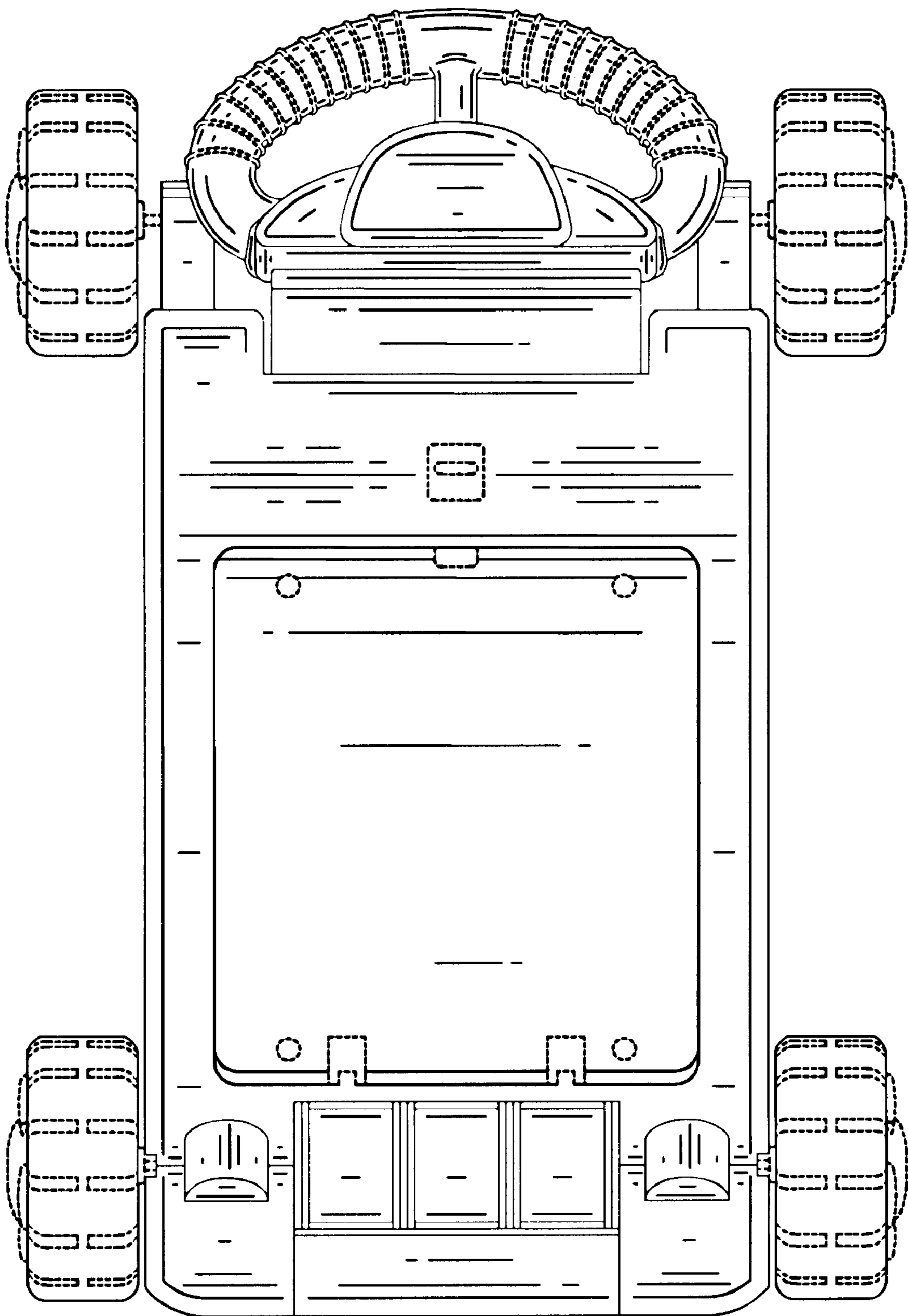


FIG. 20

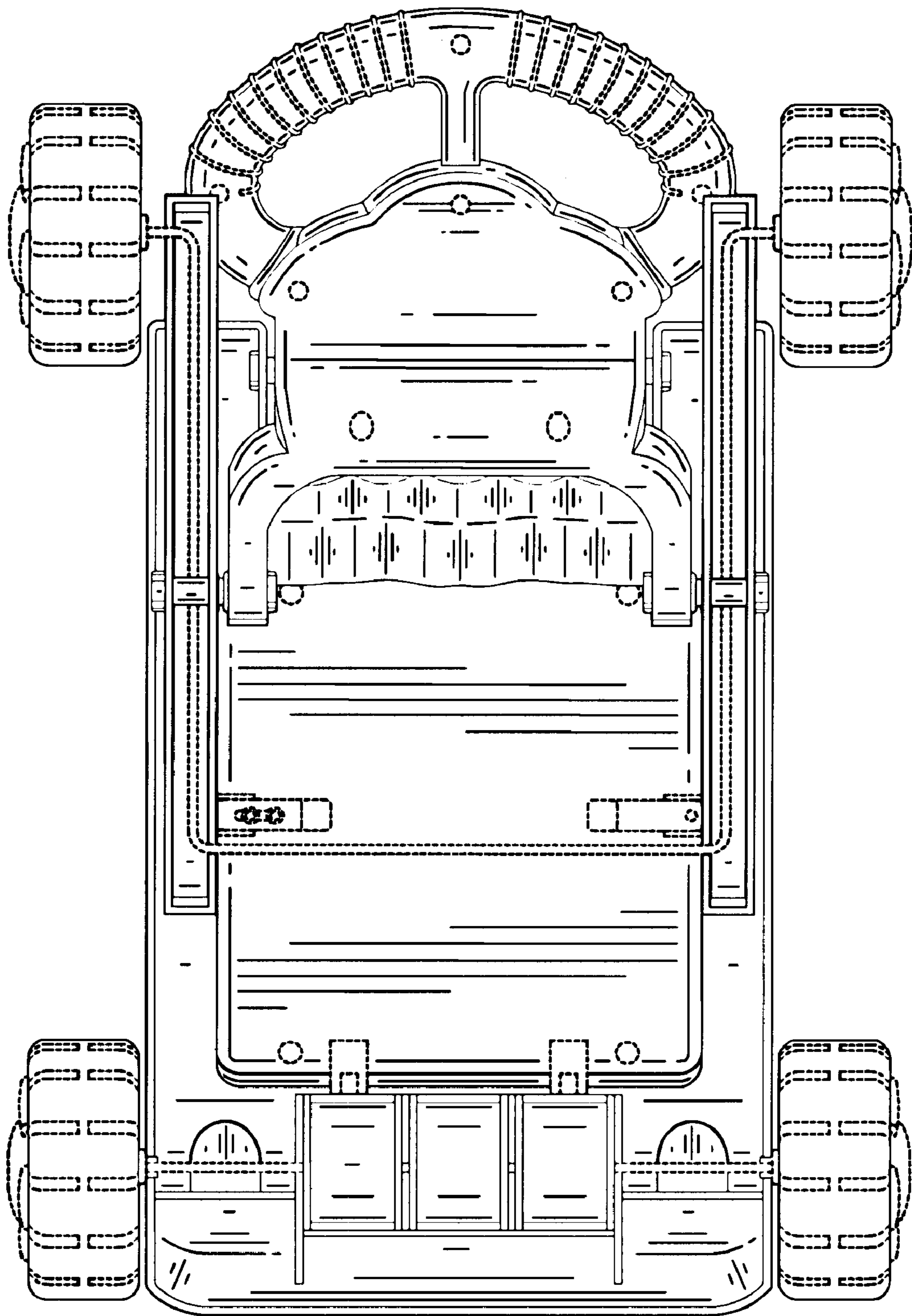


FIG. 21