



US00D472849S

(12) **United States Design Patent**  
**Adelizzi et al.**

(10) **Patent No.:** **US D472,849 S**

(45) **Date of Patent:** **\*\* Apr. 8, 2003**

(54) **TROLLEY**

D329,830 S \* 9/1992 Girardin ..... D12/84  
D363,258 S \* 10/1995 Calce ..... D12/84

(75) Inventors: **Richard Adelizzi**, Cape May, NJ (US);  
**Adam Gaskins**, Stake, FL (US); **Gary Schmidt**, Seaville, NJ (US)

\* cited by examiner

(73) Assignee: **Great American Trolley Co.**, Cape May, NJ (US)

*Primary Examiner*—Melody N. Brown  
(74) *Attorney, Agent, or Firm*—Allen, Dyer, Doppelt, Milbrath & Gilchrist, P.A.

(\*\*) Term: **14 Years**

(57) **CLAIM**

The ornamental design for a trolley, as shown and described.

(21) Appl. No.: **29/139,950**

**DESCRIPTION**

(22) Filed: **Apr. 9, 2001**

(51) **LOC (7) Cl.** ..... **12-08**

(52) **U.S. Cl.** ..... **D12/84**

(58) **Field of Search** ..... D12/36, 37, 39,  
D12/40, 84; D21/240; 104/118–121; 105/141–147

FIG. 1 is a right side view of a trolley showing a new design;  
FIG. 2 is a left side view, thereof;  
FIG. 3 is a front view thereof;  
FIG. 4 is a bottom plan view thereof;  
FIG. 5 is a top plan view thereof;  
FIG. 6 is a rear view thereof; and,  
FIG. 7 is a front left perspective view thereof.

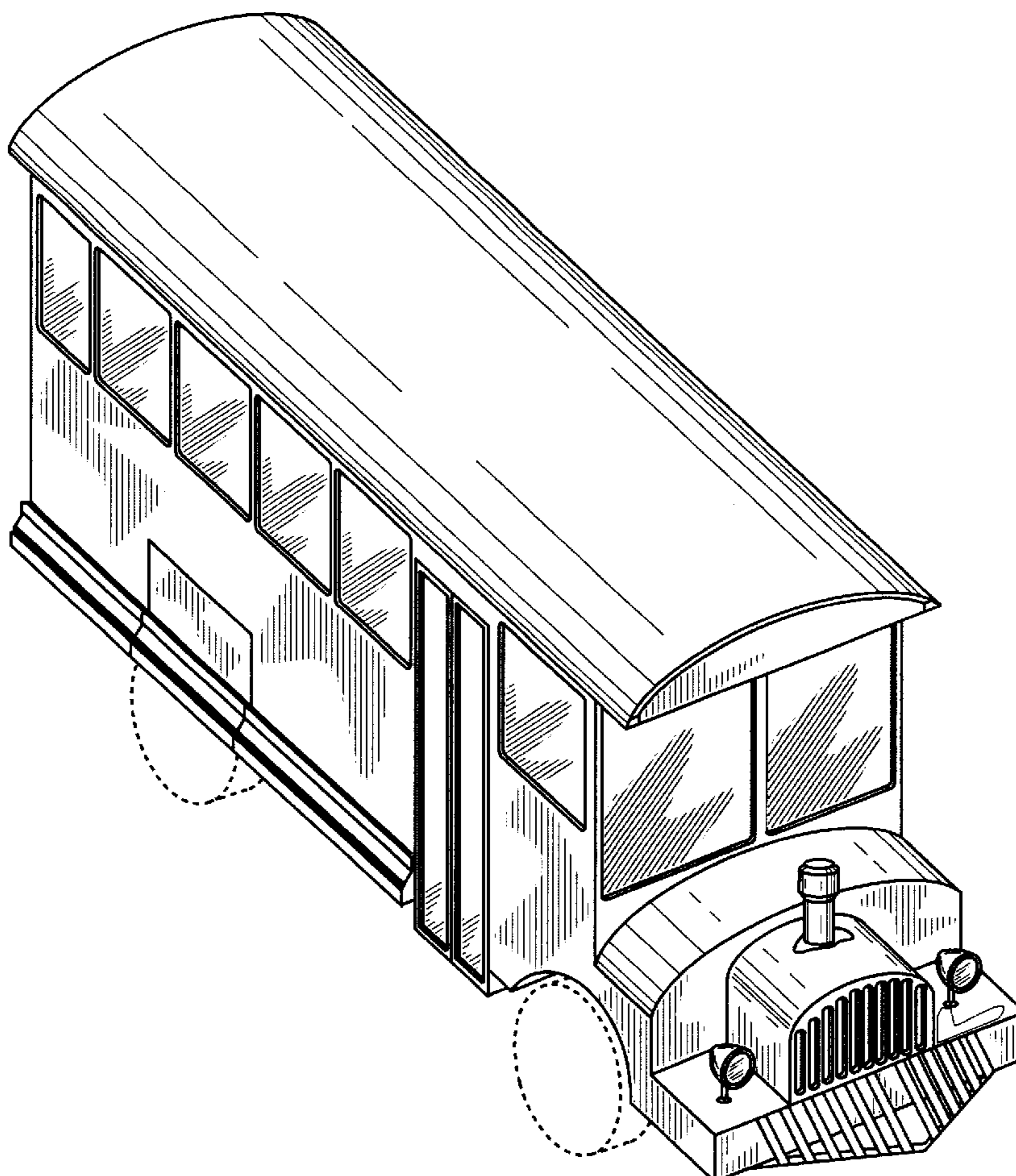
(56) **References Cited**

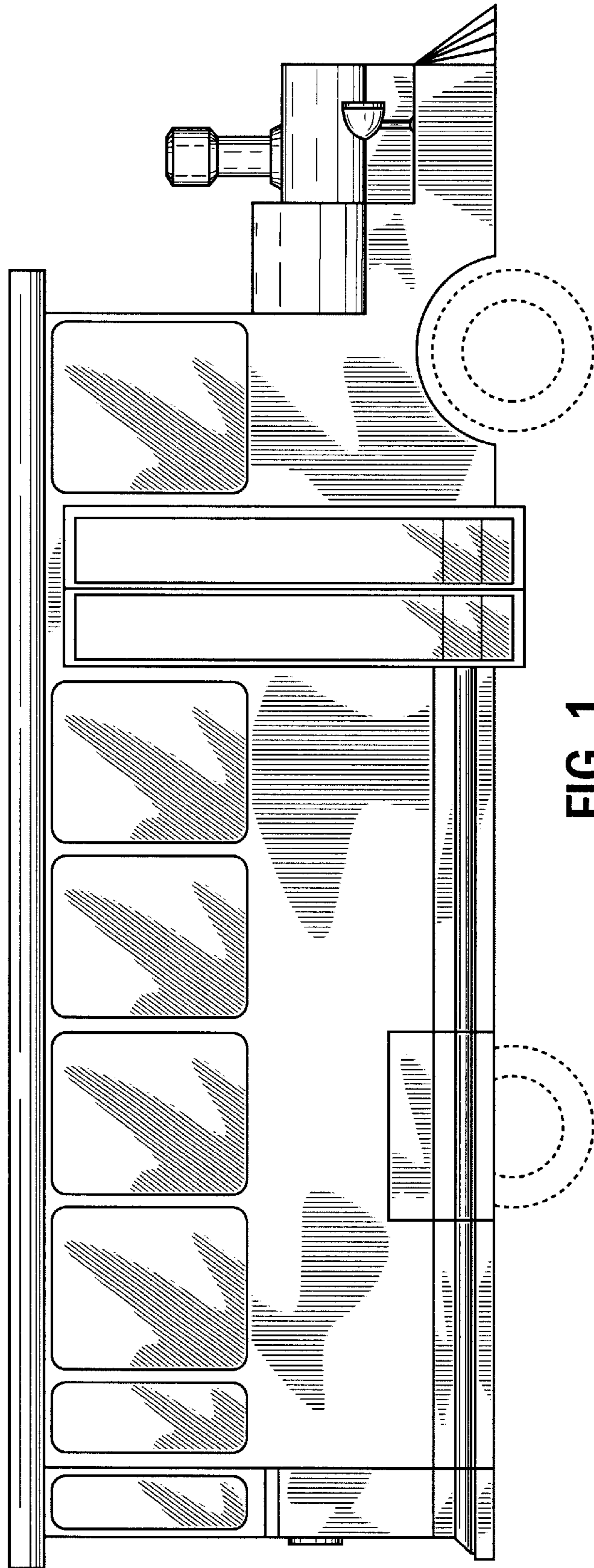
**U.S. PATENT DOCUMENTS**

D291,672 S \* 9/1987 McFadden ..... D12/84  
D291,673 S \* 9/1987 McFadden ..... D12/84  
D314,733 S \* 2/1991 Richter, Jr. et al. .... D12/84

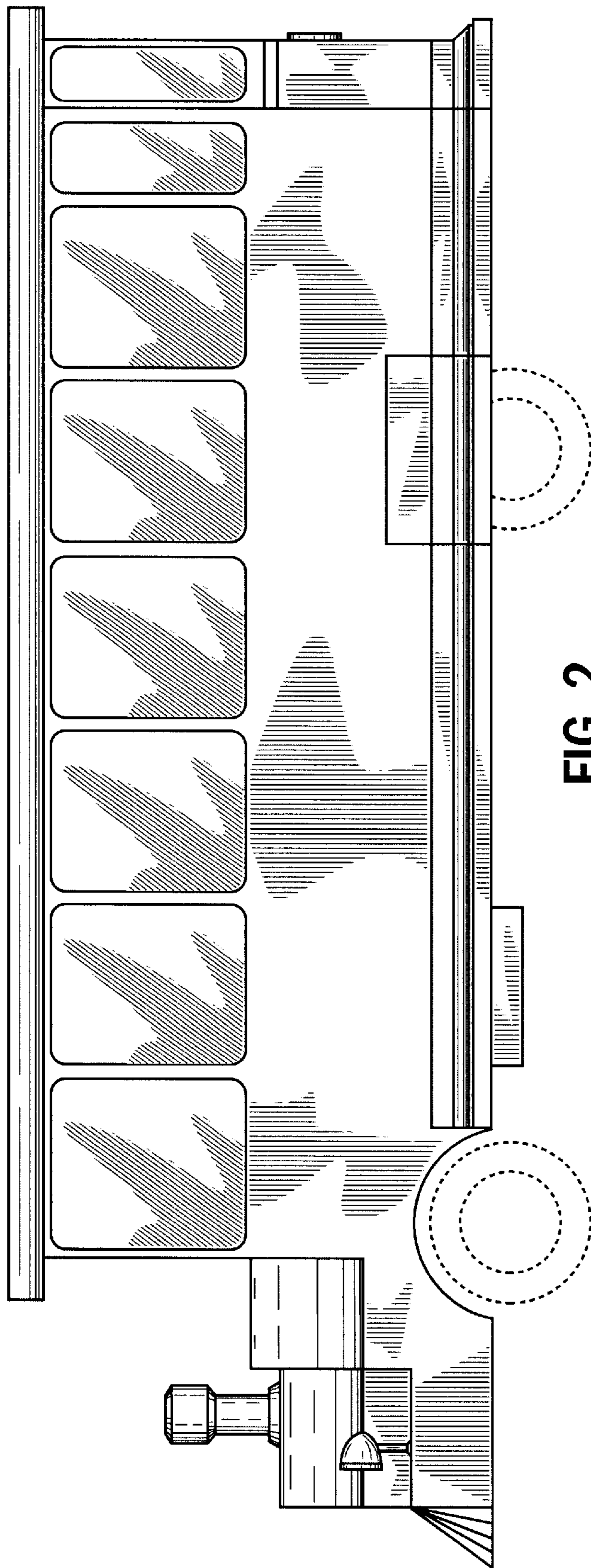
The wheels shown in broken lines throughout the drawing are for illustrative purposes only and form no part of the claimed design.

**1 Claim, 6 Drawing Sheets**





**FIG. 1**



**FIG. 2**

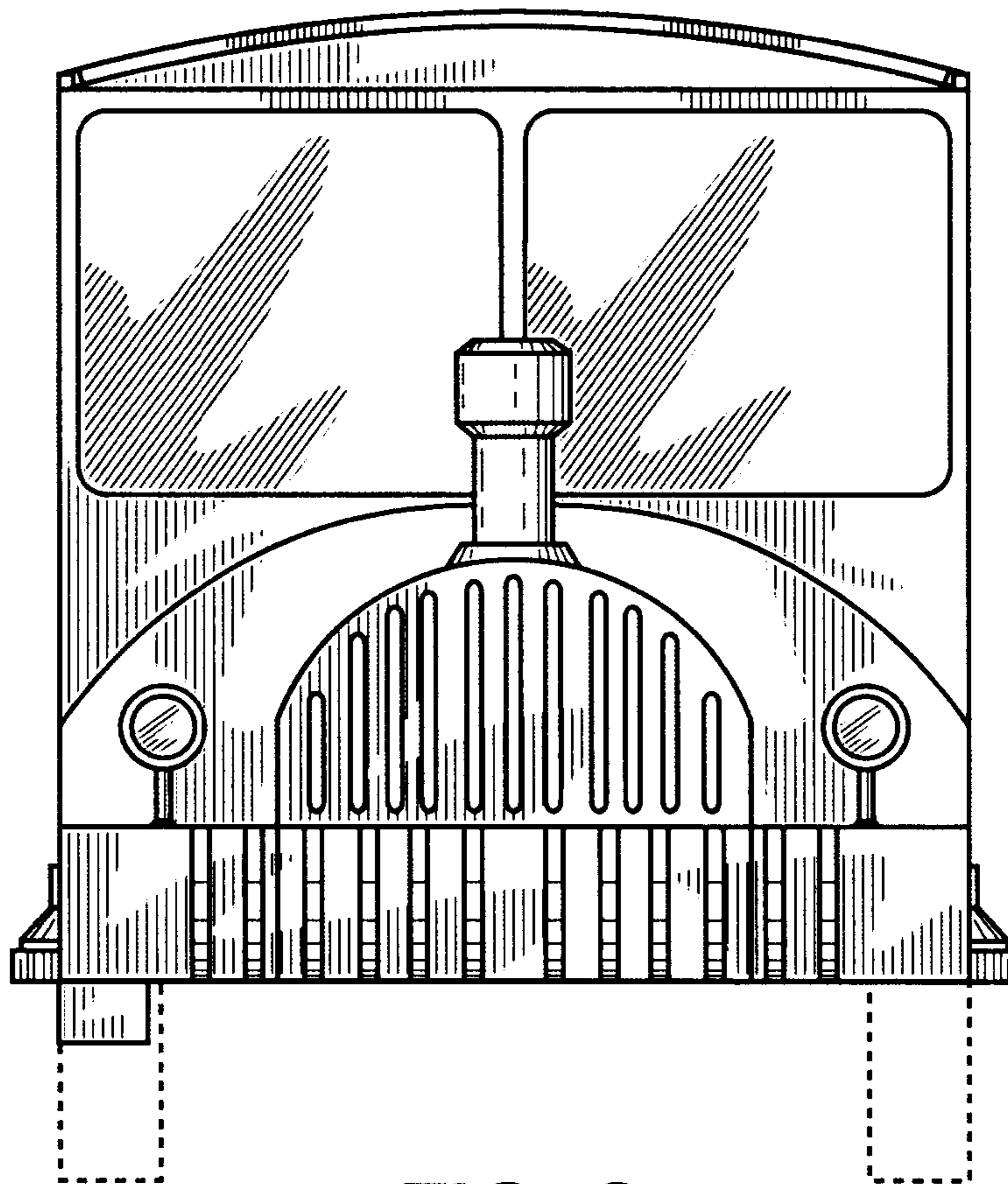
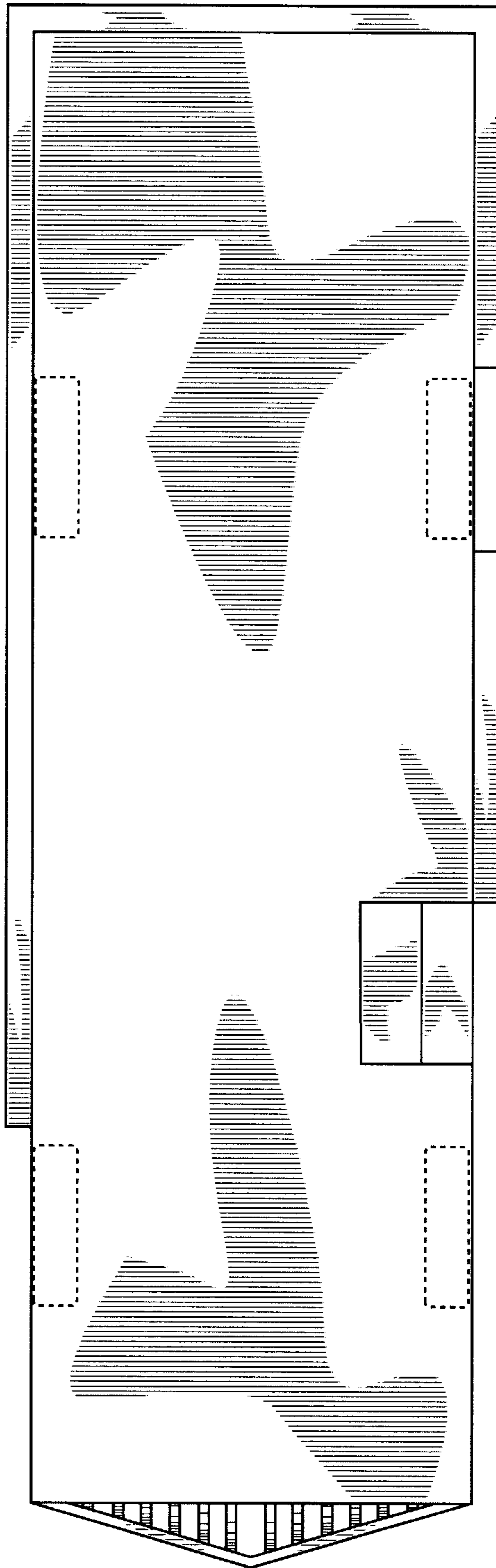
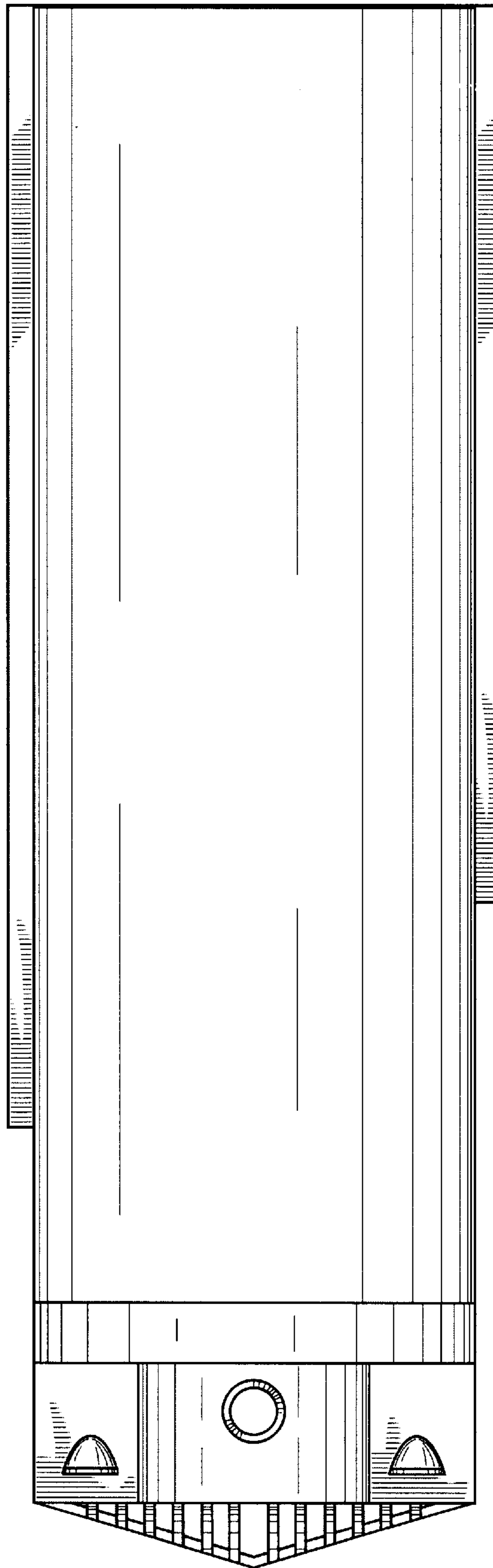


FIG. 3



**FIG. 4**



**FIG. 5**

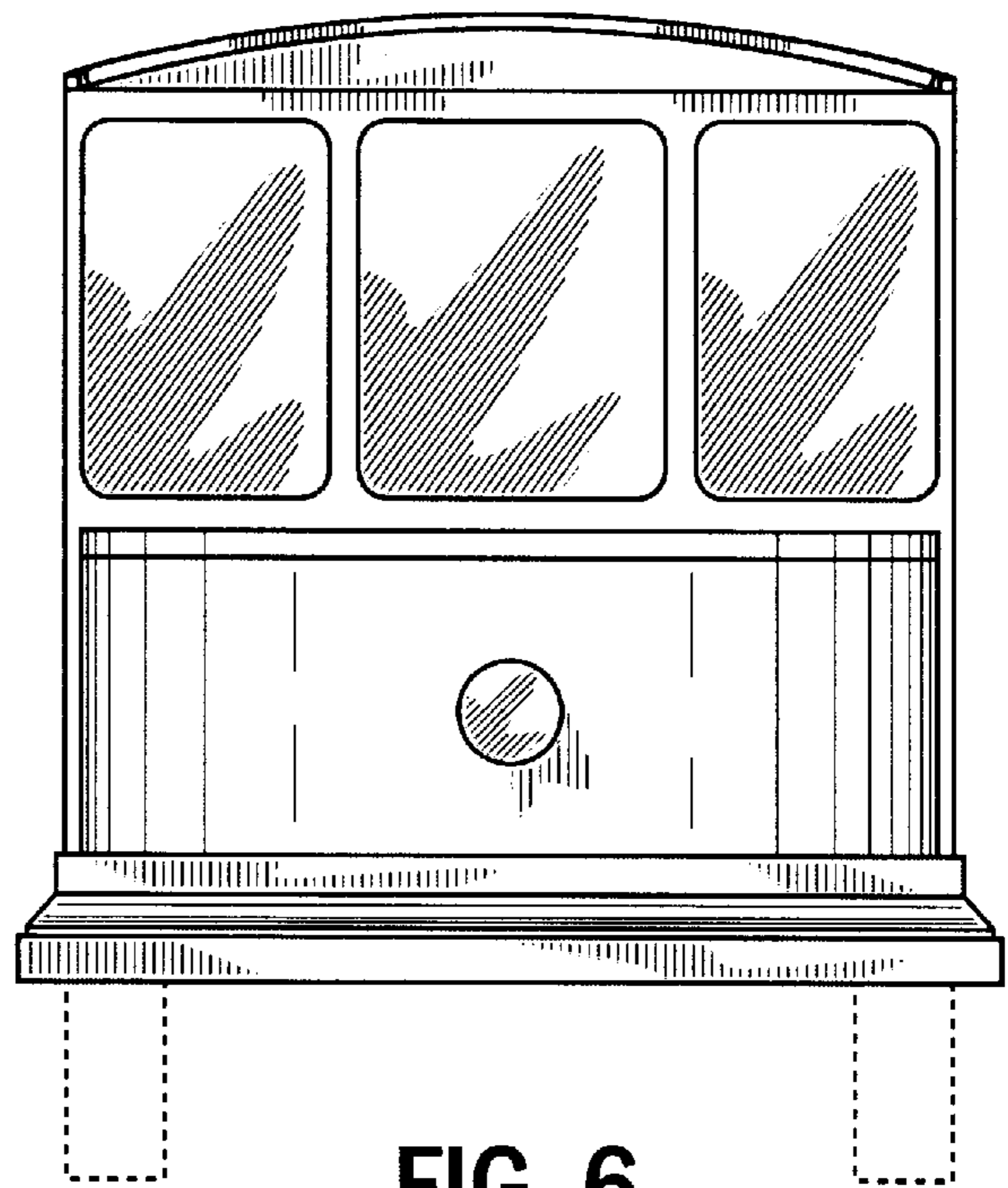


FIG. 6

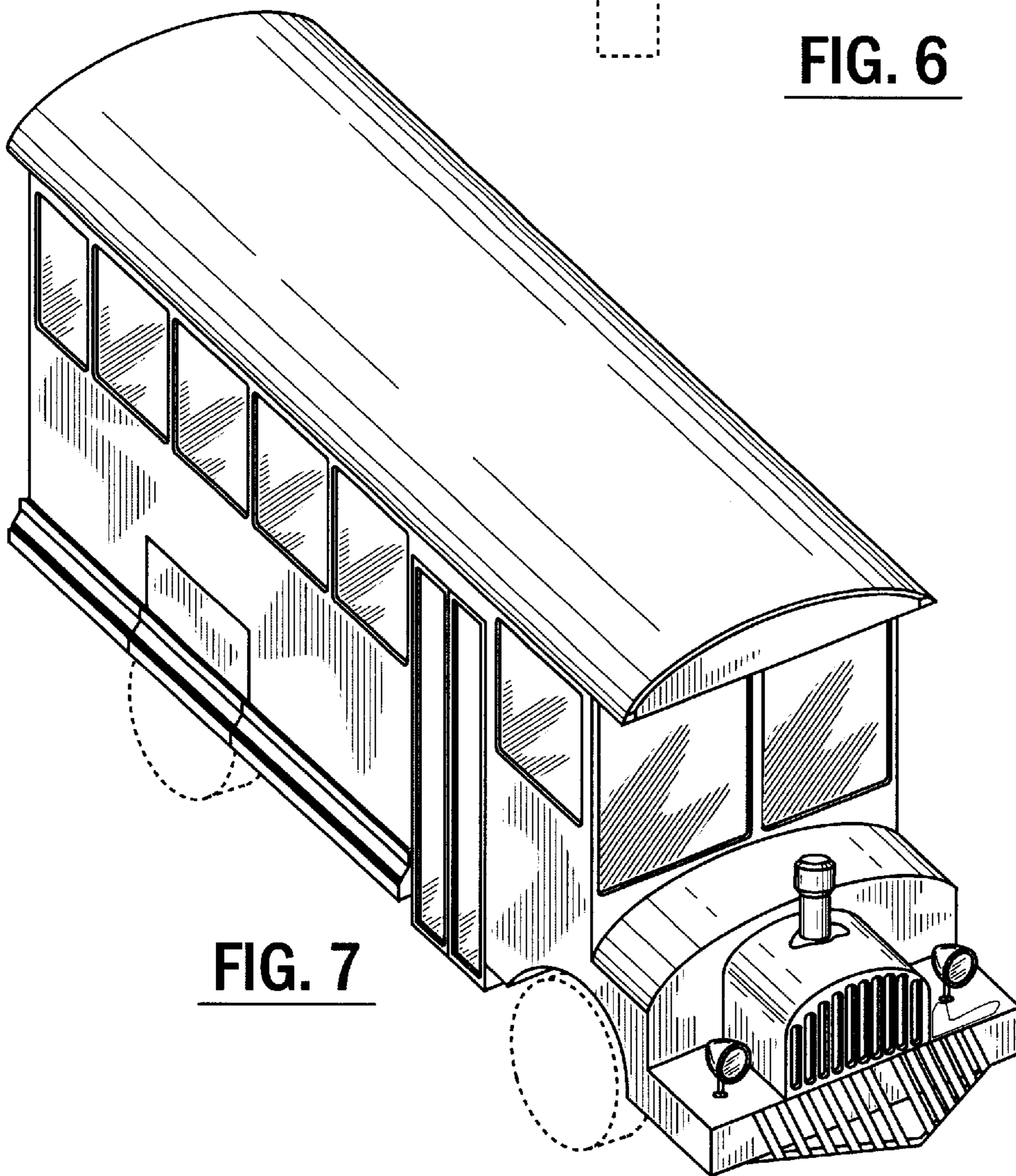


FIG. 7