



US00D472847S

(12) **United States Design Patent**
Somers

(10) **Patent No.:** **US D472,847 S**

(45) **Date of Patent:** **** Apr. 8, 2003**

(54) **FLAGPOLE BALL HEMISPHERE**

(75) Inventor: **Scott Somers**, Dallas, TX (US)

(73) Assignee: **Concord Industries, Inc.**, Addison, TX (US)

(**) Term: **14 Years**

(21) Appl. No.: **29/153,743**

(22) Filed: **Jan. 11, 2002**

(51) **LOC (7) Cl.** **11-99**

(52) **U.S. Cl.** **D11/181**

(58) **Field of Search** D11/165-184;
40/218; 52/720.1, 300, 301; 116/173, 174,
175; 248/127, 309.1, 511, 512, 519; 428/913.3

(56) **References Cited**

U.S. PATENT DOCUMENTS

D54,340 S	*	12/1919	Harding	D11/183
D125,272 S	*	2/1941	Johnson	D11/183
5,176,099 A	*	1/1993	Katz et al.	248/309.1
D354,712 S	*	1/1995	Moat	D11/181
5,600,927 A	*	2/1997	Kenyon	52/301
5,729,941 A	*	3/1998	Kassardjian et al.	52/301
5,904,116 A	*	5/1999	Wyner et al.	116/173
6,221,457 B1	*	4/2001	Rasmussen	428/913.3

* cited by examiner

Primary Examiner—Doris V. Coles

Assistant Examiner—Elizabeth A. Albert

(74) *Attorney, Agent, or Firm*—Gardere Wynne Sewell LLP; Kenneth T. Emanuelson

(57) **CLAIM**

The ornamental design for a flagpole ball hemisphere, as shown and described.

DESCRIPTION

FIG. 1 is a front perspective view of a first embodiment of a flagpole ball hemisphere of new design;

FIG. 2 is a top view of the flagpole ball hemisphere of FIG. 1;

FIG. 3 is a bottom view of the flagpole ball hemisphere of FIG. 1;

FIG. 4 is a front elevation view of the flagpole ball hemisphere of FIG. 1, and

FIG. 5 is a right side elevation view of the flagpole ball hemisphere of FIG. 1.

FIG. 6 is a front perspective view of a second embodiment of a flagpole ball hemisphere of new design;

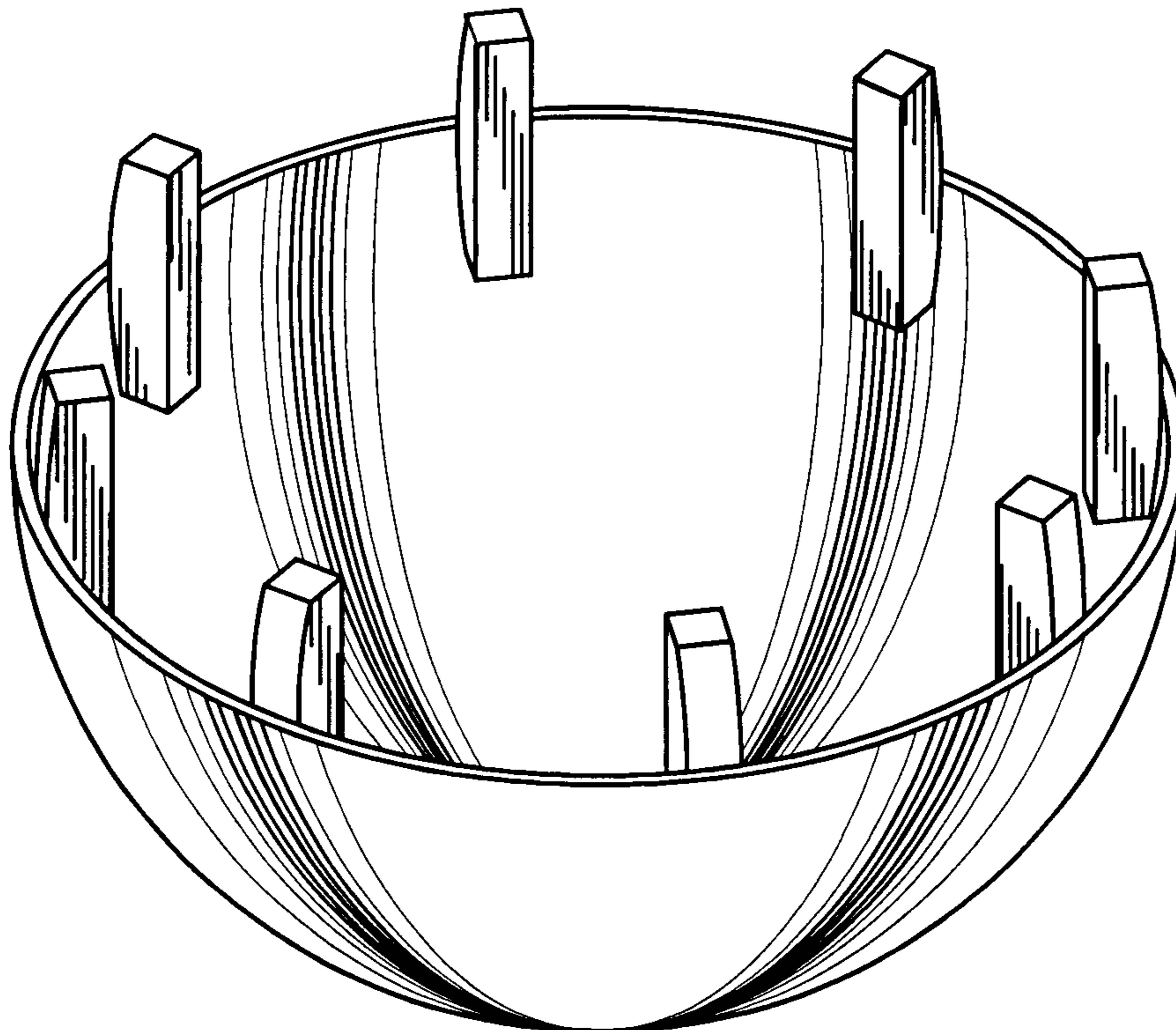
FIG. 7 is a top view of the flagpole ball hemisphere of FIG. 6;

FIG. 8 is a bottom view of the flagpole ball hemisphere of FIG. 6;

FIG. 9 is a front elevation view of the flagpole ball hemisphere of FIG. 6; and,

FIG. 10 is a right side elevation view of the flagpole ball hemisphere of FIG. 6.

1 Claim, 2 Drawing Sheets



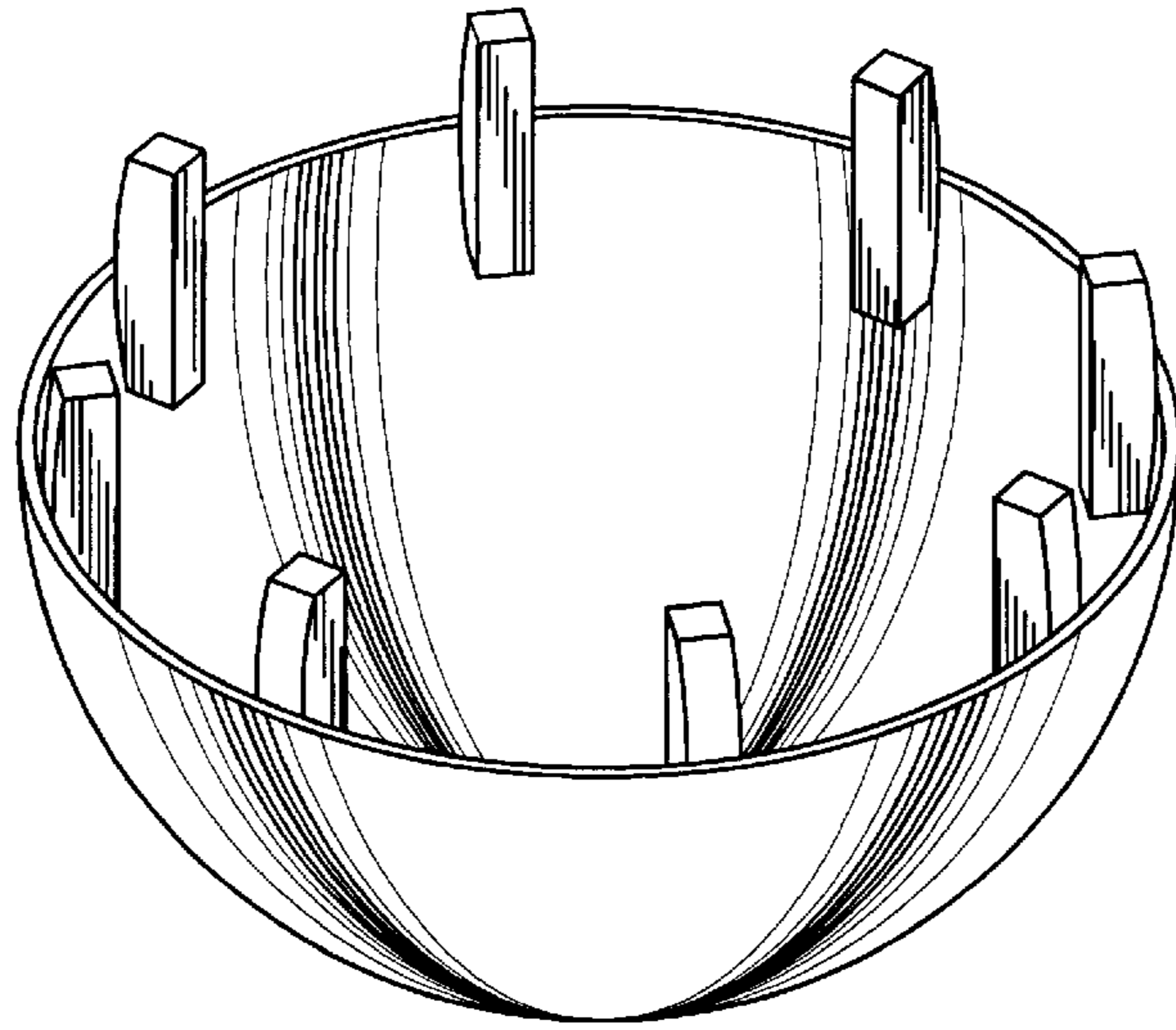


Fig. 1

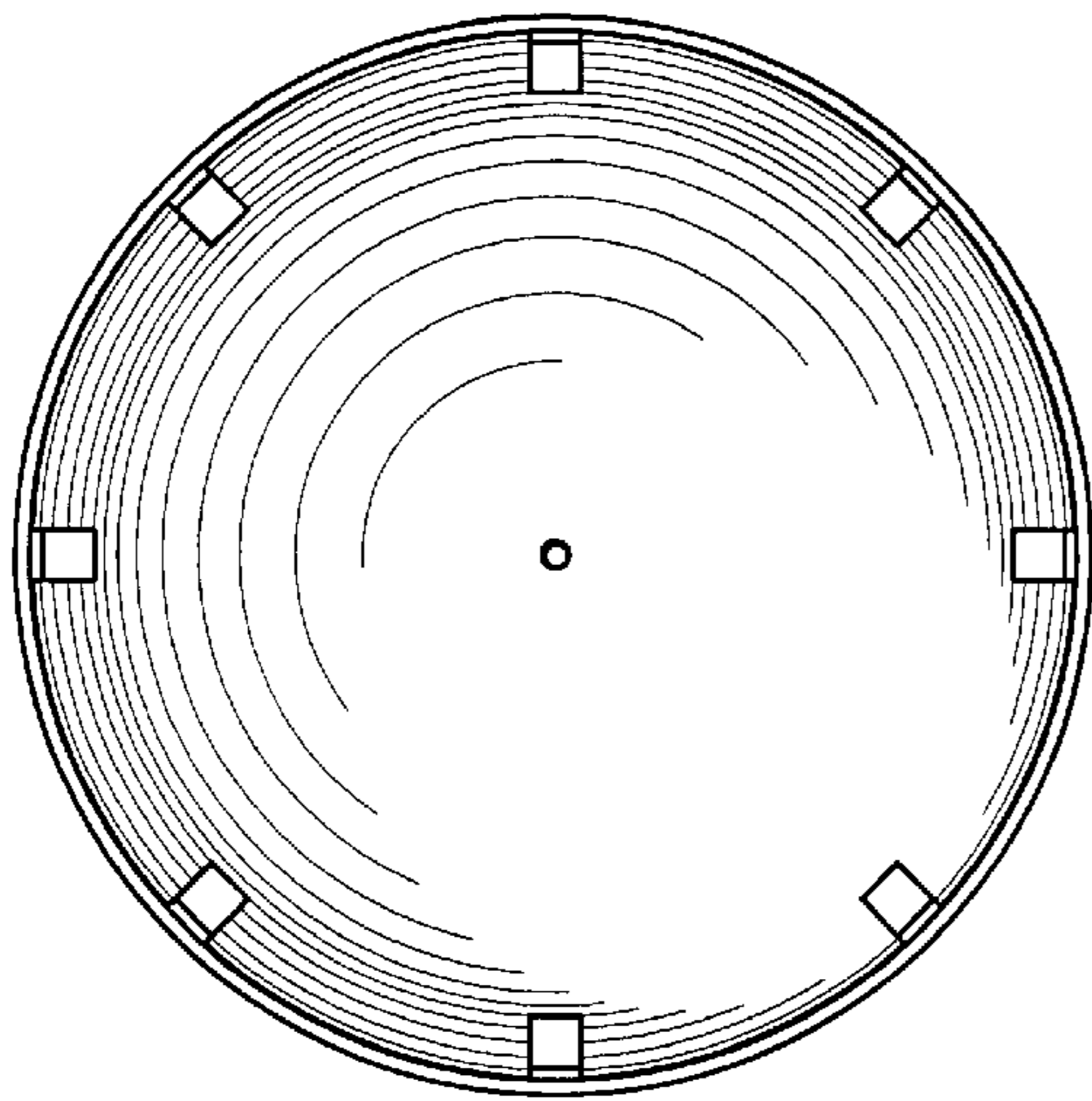


Fig. 2

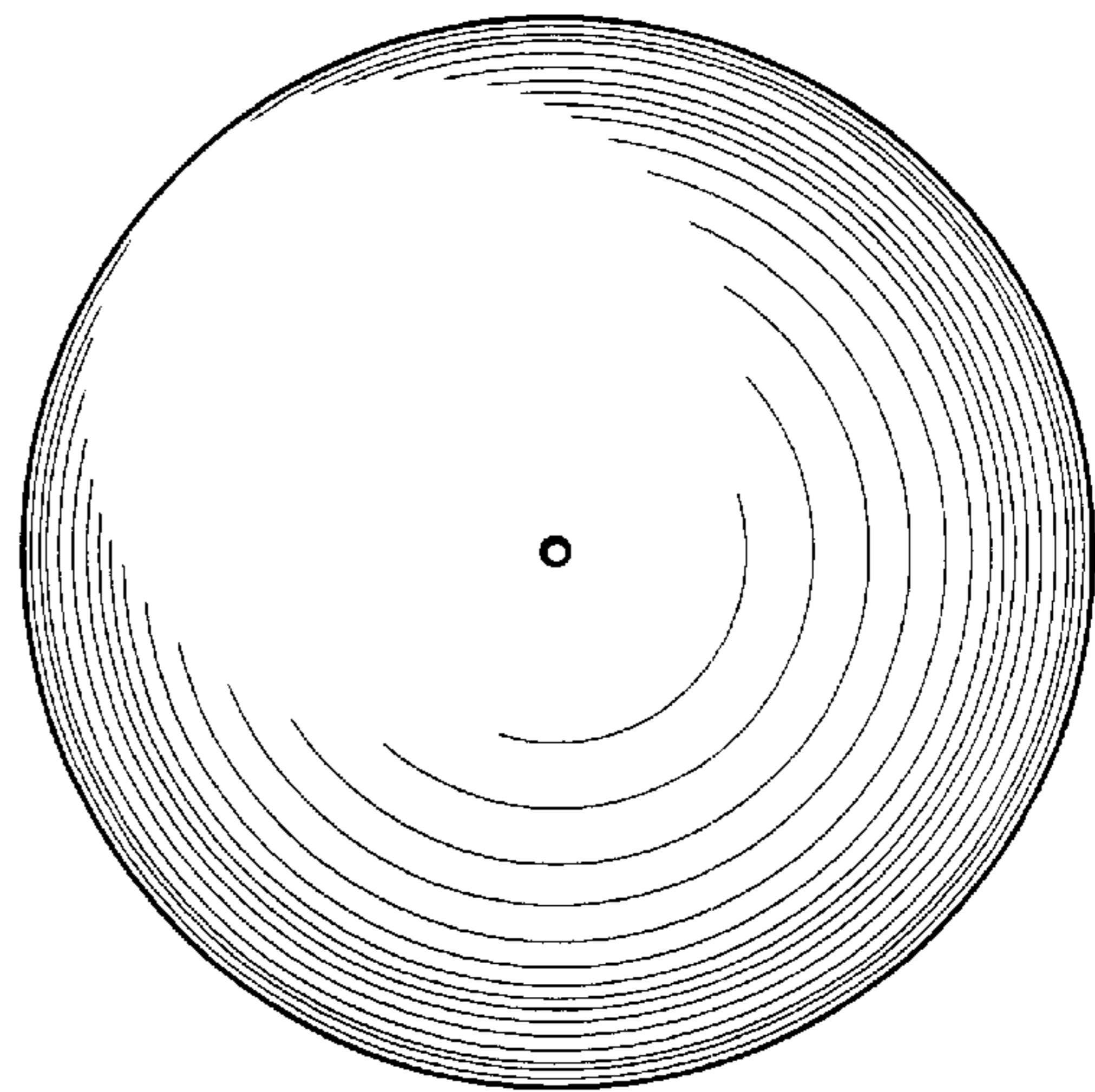


Fig. 3

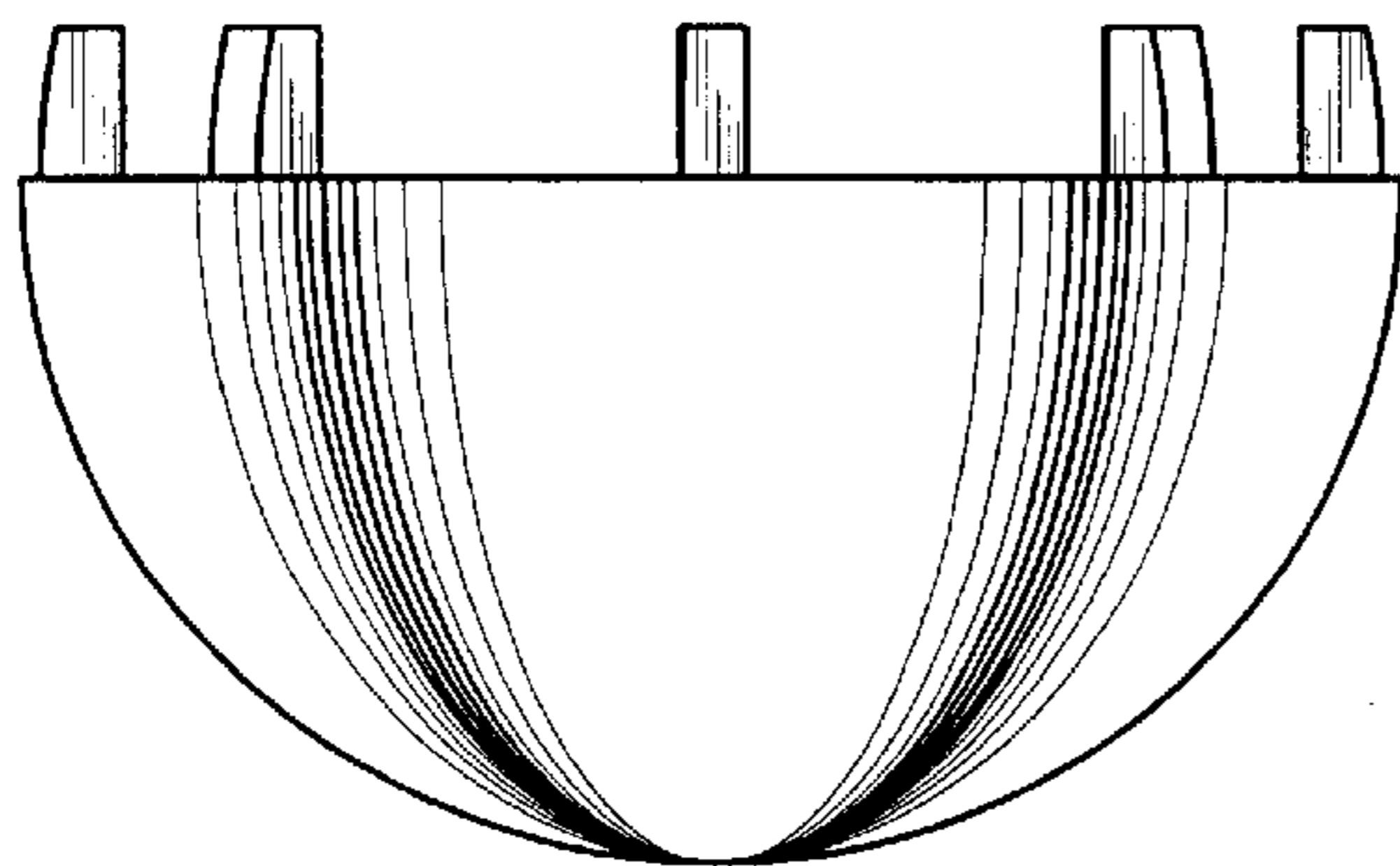


Fig. 4

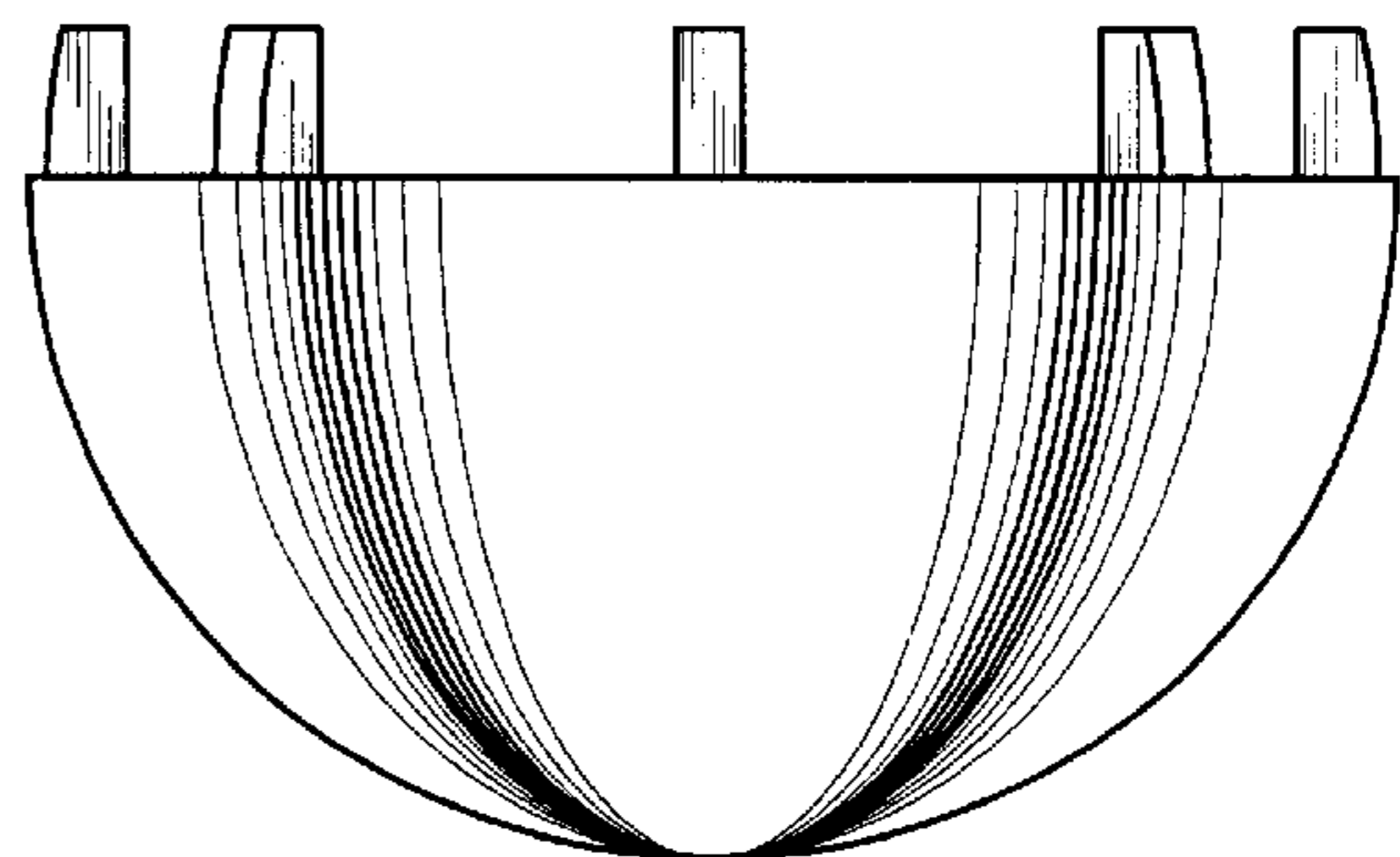


Fig. 5

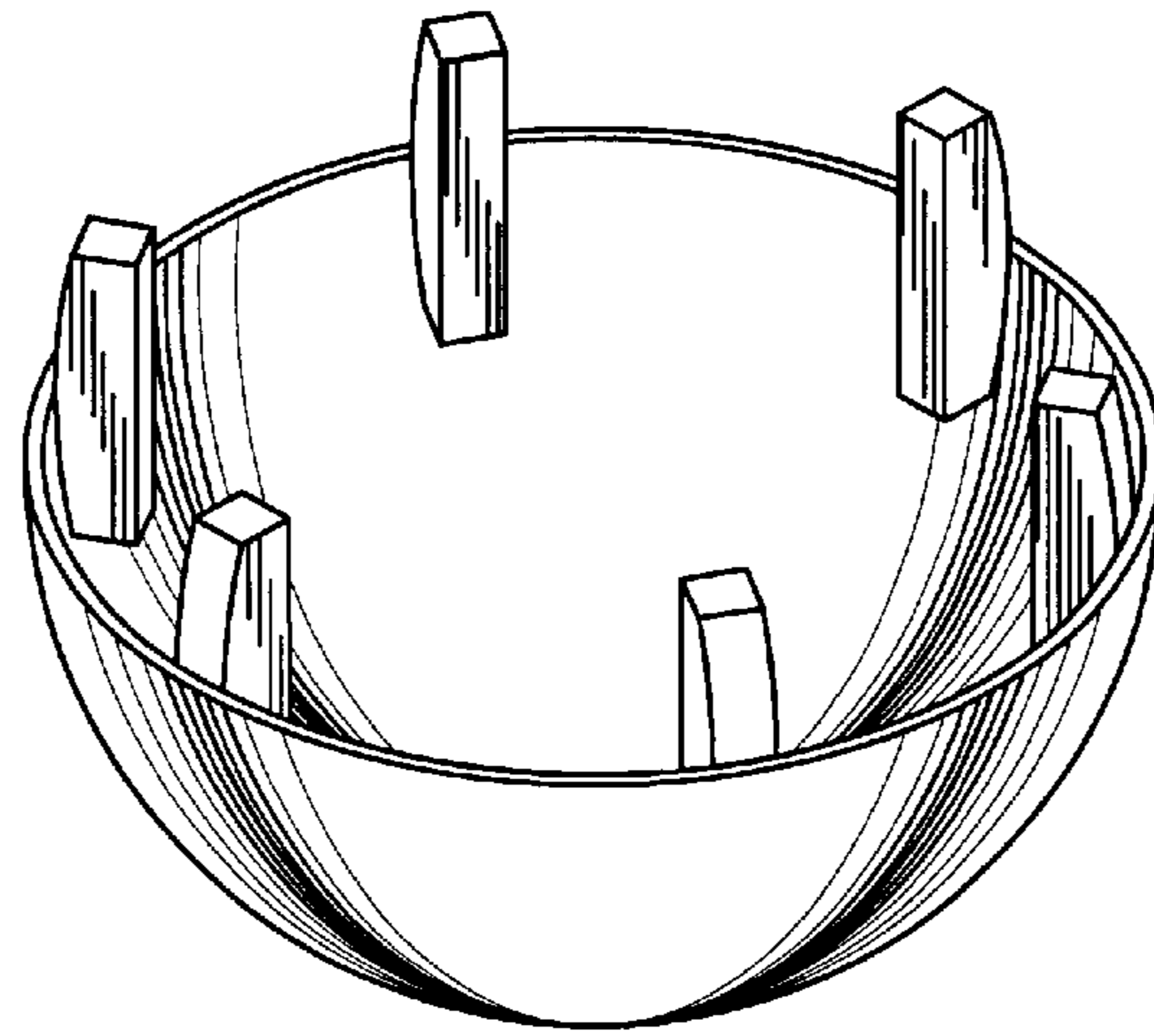


Fig.6

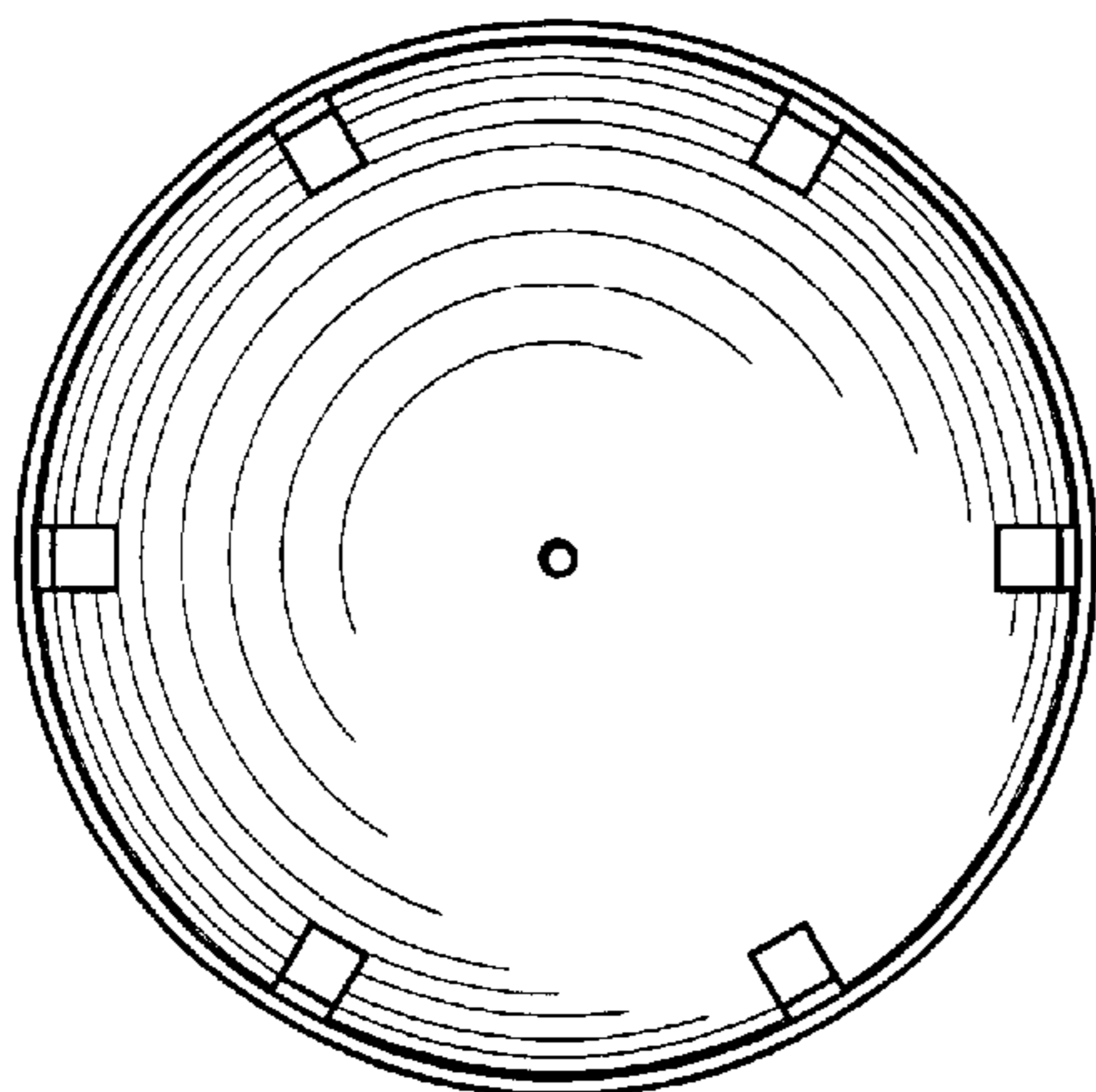


Fig.7

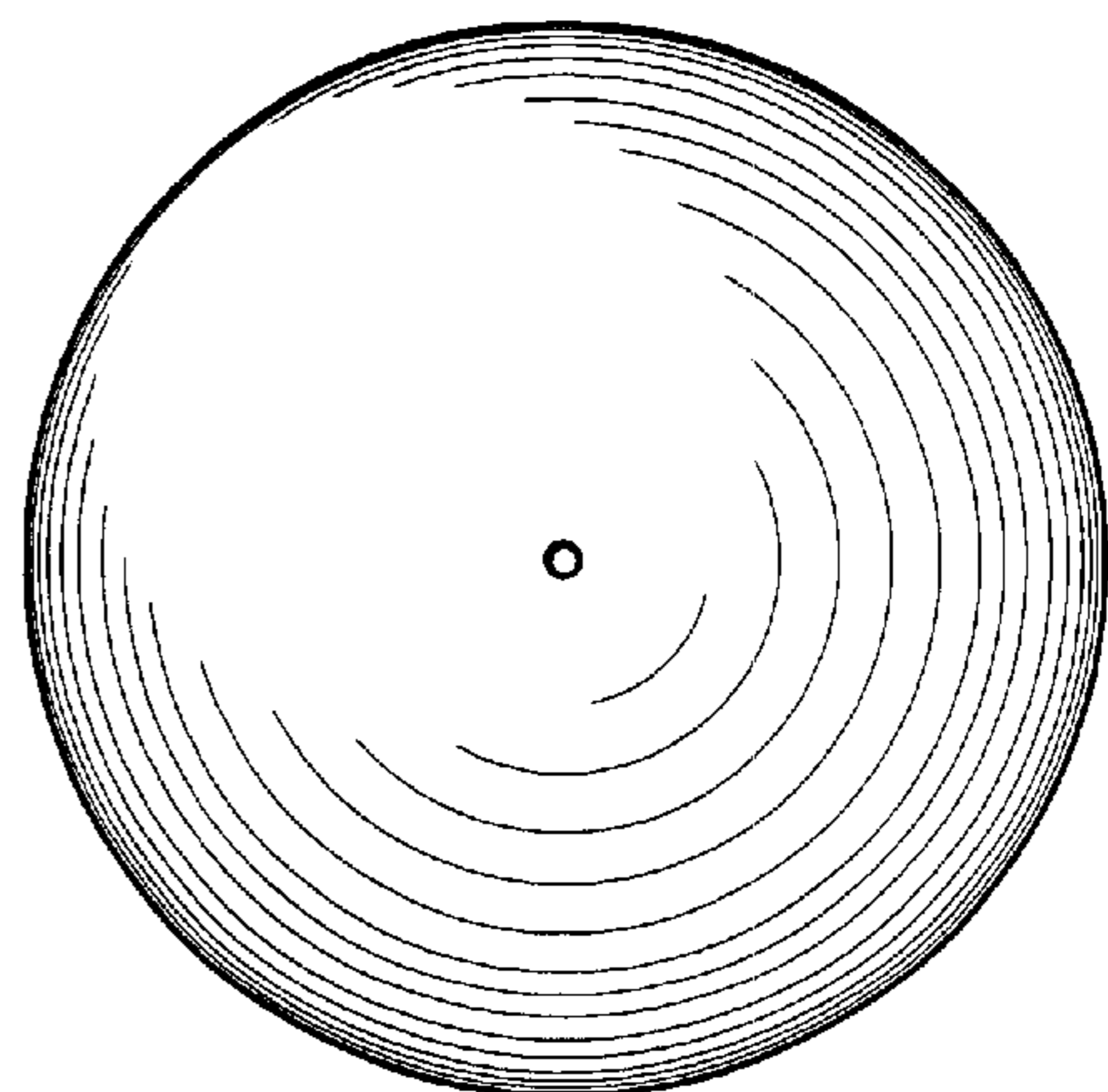


Fig.8

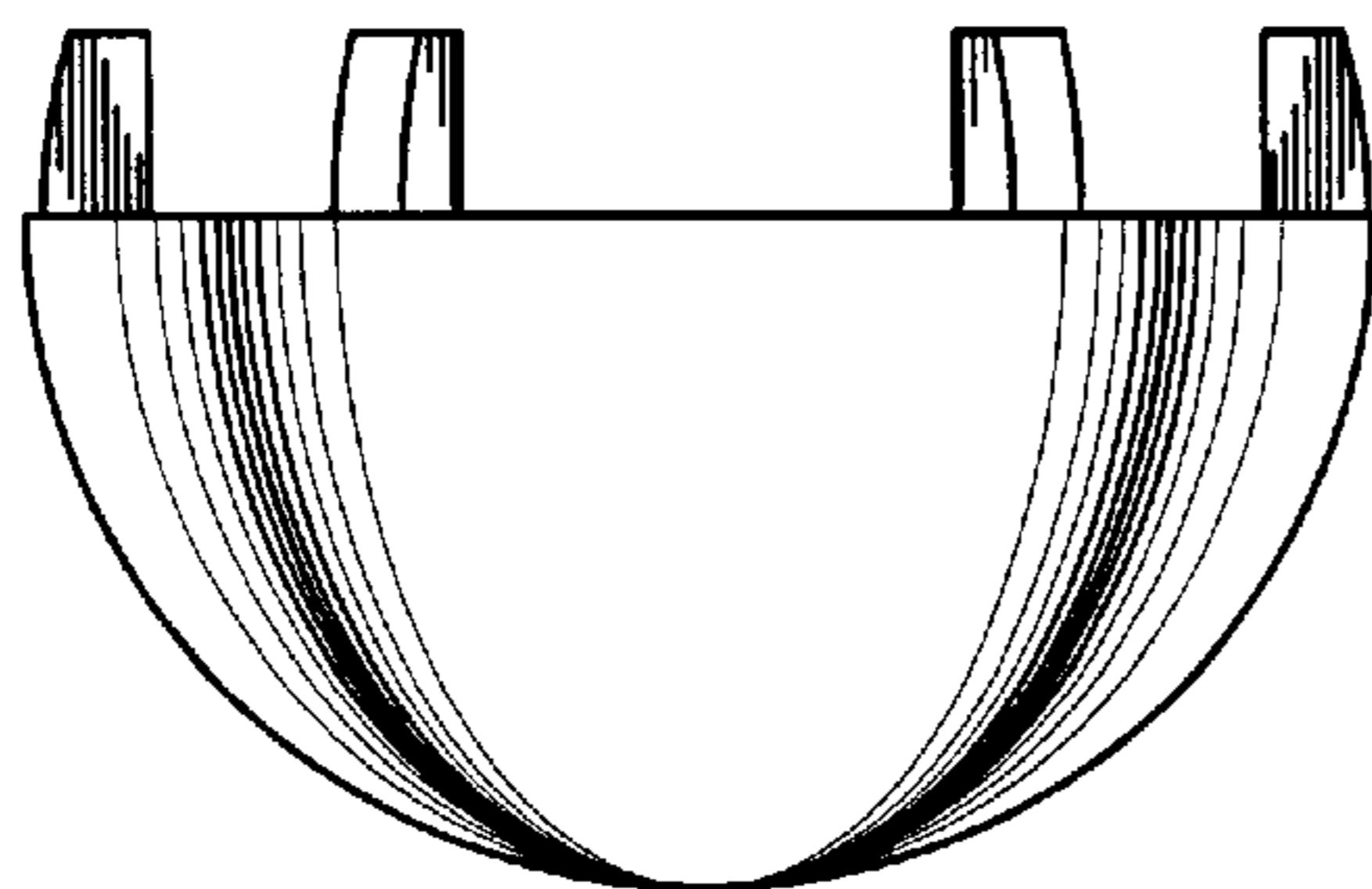


Fig.9

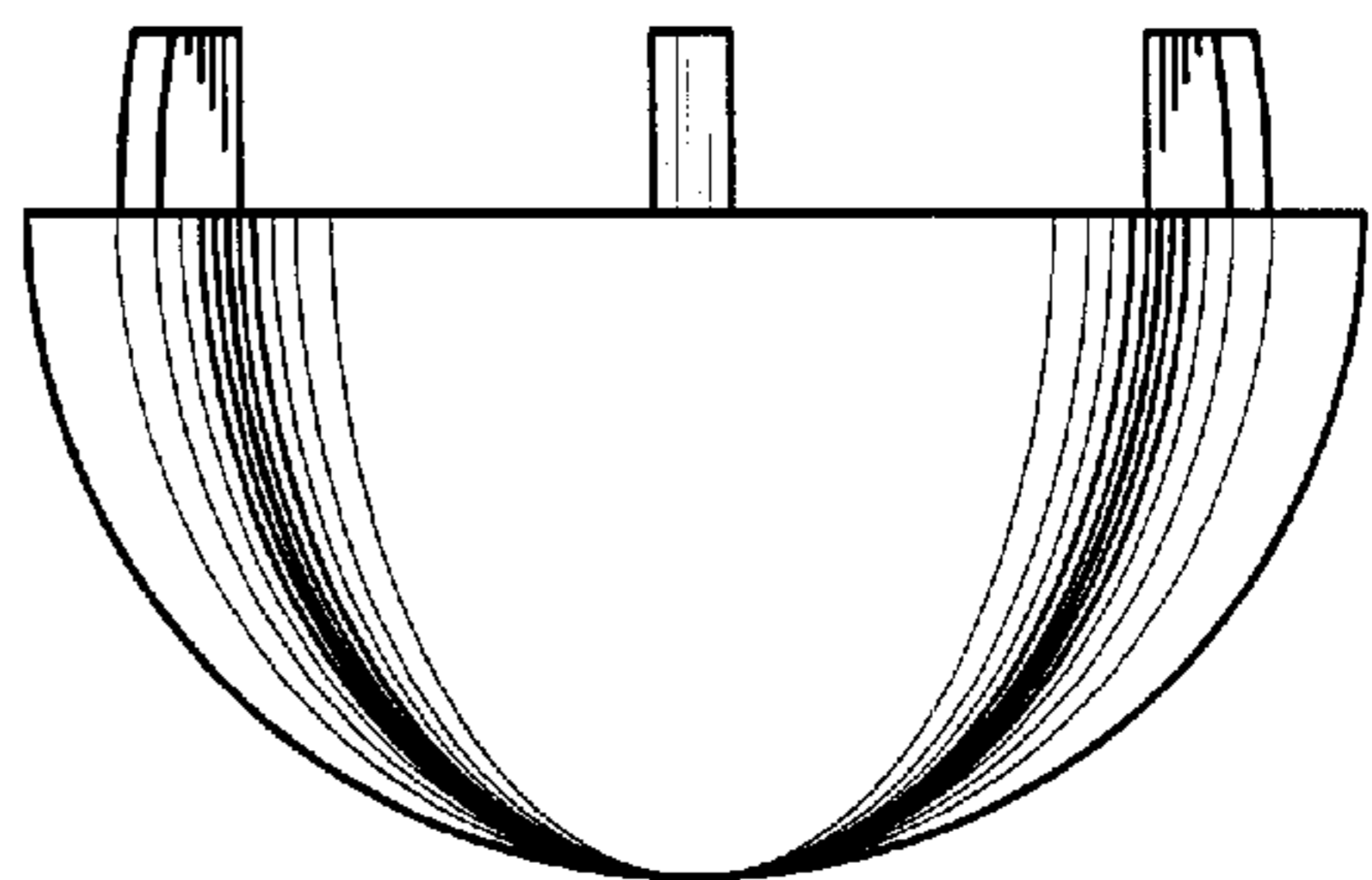


Fig.10