



US00D472837S

(12) **United States Design Patent**  
**Moritz et al.**

(10) **Patent No.:** **US D472,837 S**

(45) **Date of Patent:** **\*\* Apr. 8, 2003**

(54) **WATCH FACE**

(75) Inventors: **Hans Karsten Moritz**, Foothill Ranch, CA (US); **James H. Jannard**, Spieden Island, WA (US); **Colin Baden**, Irvine, CA (US)

(73) Assignee: **Oakley, Inc.**, Foothill Ranch, CA (US)

(\*\*) Term: **14 Years**

(21) Appl. No.: **29/167,512**

(22) Filed: **Sep. 16, 2002**

**Related U.S. Application Data**

(62) Division of application No. 29/154,761, filed on Jan. 25, 2002.

(51) **LOC (7) Cl.** ..... **10-02**

(52) **U.S. Cl.** ..... **D10/128**

(58) **Field of Search** ..... D10/1-40, 122-132; 368/276, 277, 281-282, 285, 294-296

(56) **References Cited**

**U.S. PATENT DOCUMENTS**

D147,601 S	*	9/1947	Stern	.....	D10/126
D245,230 S		8/1977	Kleiner		
D287,341 S		12/1986	Grimes		
D346,975 S		5/1994	Houlihan		
D349,061 S		7/1994	Morishima		
D355,380 S		2/1995	Nakia		
D362,629 S		9/1995	Muller		
D364,820 S		12/1995	Sakai et al.		
D364,821 S		12/1995	Sakai et al.		
D378,740 S		4/1997	Yamamoto et al.		
D381,276 S		7/1997	Dobashi et al.		
D389,750 S		1/1998	Houlihan		
D392,903 S		3/1998	Yerby et al.		
D394,391 S		5/1998	Bruce et al.		
D394,394 S		5/1998	Bruce et al.		
D394,403 S		5/1998	Hanagata		
D395,011 S		6/1998	Hanagata		
D398,246 S		9/1998	Bruce et al.		
D399,433 S		10/1998	Bruce et al.		

D402,900 S	12/1998	Hanagata et al.
D404,328 S	1/1999	Brunner et al.
D410,583 S	6/1999	Spandrio et al.
D411,115 S	6/1999	Houlihan et al.
D412,854 S	8/1999	Oshita

(List continued on next page.)

**OTHER PUBLICATIONS**

Oakley, Inc., "Oakley Catalog—2000", Feb. 2000, pp. 58-61, published by Oakley, Inc., Foothill Ranch, California.

Nike, Inc.—"holiday ninety nine", Mar. 1999, pp. 1-12, published by Nike, Inc., Beaverton, Oregon.

Suunto, Inc., "technical Outdoor Products", unknown publication date, pp. 2-5, published by Suunto, Inc., Carlsbad, California.

Ad for OP wrist watches, unknown source, unknown publication date.

Ad for Timex Triathlon, unknown source, unknown publication date.

Ad for Timex Ironman st watches on <http://www.Watchzone.com/watchzone.storefront/843840787/Catalog/2043>, Nov. 8, 1999.

(List continued on next page.)

*Primary Examiner*—Nelson C. Holtje

(74) *Attorney, Agent, or Firm*—Gregory K. Nelson

(57) **CLAIM**

The ornamental design for a watch face, as shown and described.

**DESCRIPTION**

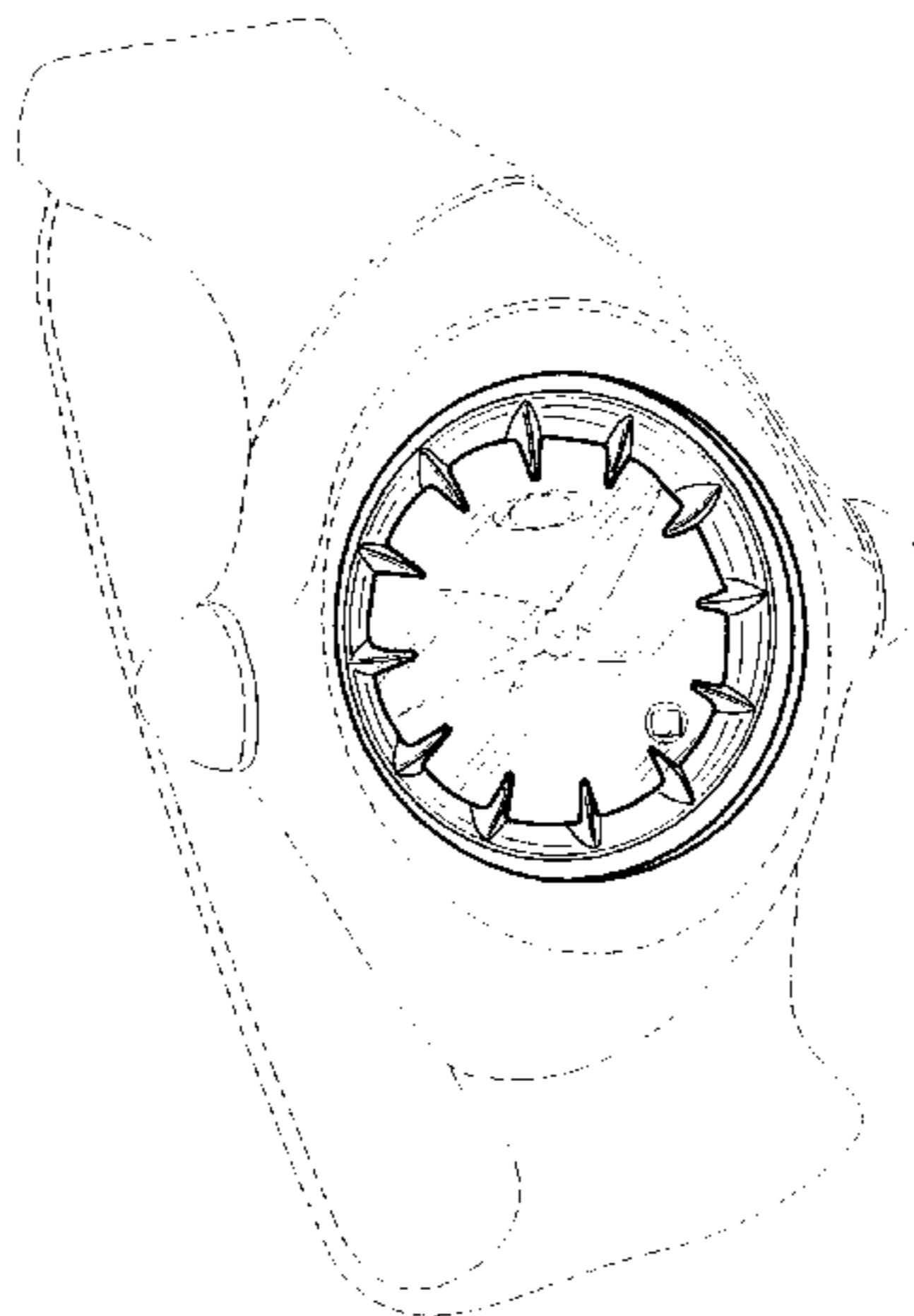
FIG. 1 is a front perspective view of the watch face of the present invention;

FIG. 2 is a front elevational view thereof; and,

FIG. 3 is another front perspective view thereof.

The broken lines, where used in FIGS. 1-3, are for illustrative purposes only and form no part of the claimed design.

**1 Claim, 3 Drawing Sheets**



# US D472,837 S

Page 2

## U.S. PATENT DOCUMENTS

D413,527 S 9/1999 Hanagata  
D414,429 S 9/1999 Liao  
D415,434 S 10/1999 Matsuda  
D416,812 S 11/1999 Houlihan et al.  
D417,400 S 12/1999 Yamamoto  
D417,401 S 12/1999 Houlihan et al.  
D417,627 S 12/1999 Spandrio et al.  
D418,442 S 1/2000 Yanku  
D421,398 S 3/2000 Spandrio et al.  
6,052,339 A \* 4/2000 Frenkel et al. .... 368/230  
D423,946 S 5/2000 Jannard et al.  
D425,799 S 5/2000 Hysek  
D429,168 S 8/2000 Jannard et al.  
D433,342 S 11/2000 Fox  
D440,885 S 4/2001 Streltsov  
D441,663 S 5/2001 Streltsov  
D443,527 S 6/2001 Jacob et al.  
D444,713 S 7/2001 Riley  
D447,426 S 9/2001 Jannard et al.  
D447,959 S 9/2001 Fox et al.  
6,295,251 B1 \* 9/2001 Sakai et al. .... 368/232

D451,818 S 12/2001 Riley  
D451,955 S 12/2001 Hanagata

## OTHER PUBLICATIONS

Ad for G-Shock Raysman wrist watch on <http://www-watchzone.com/Watchzone.storefront/84380787>, Nov. 8, 1999.

Ad for Adidas watches on <http://www.watchzone.com/Watchzone.storefront/179075562/Catalog/2001>, Sep. 1, 1999.

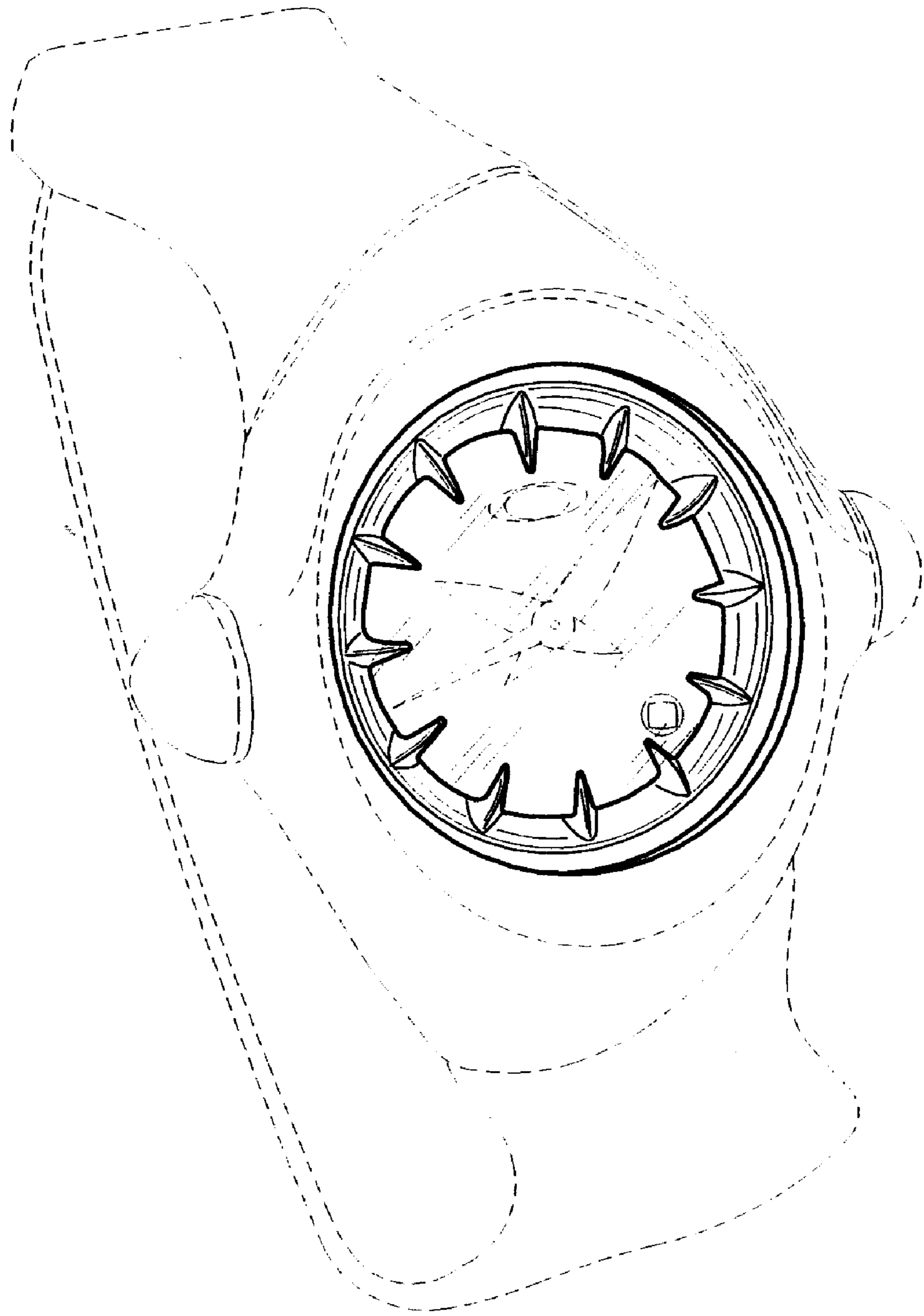
U.S. pending patent application Ser. No. 29/143,217, Jannard et al., filed Jun. 7, 2001.

U.S. co-pending patent application Ser. No. 29/154,761, Jannard et al., filed Jan. 25, 2002.

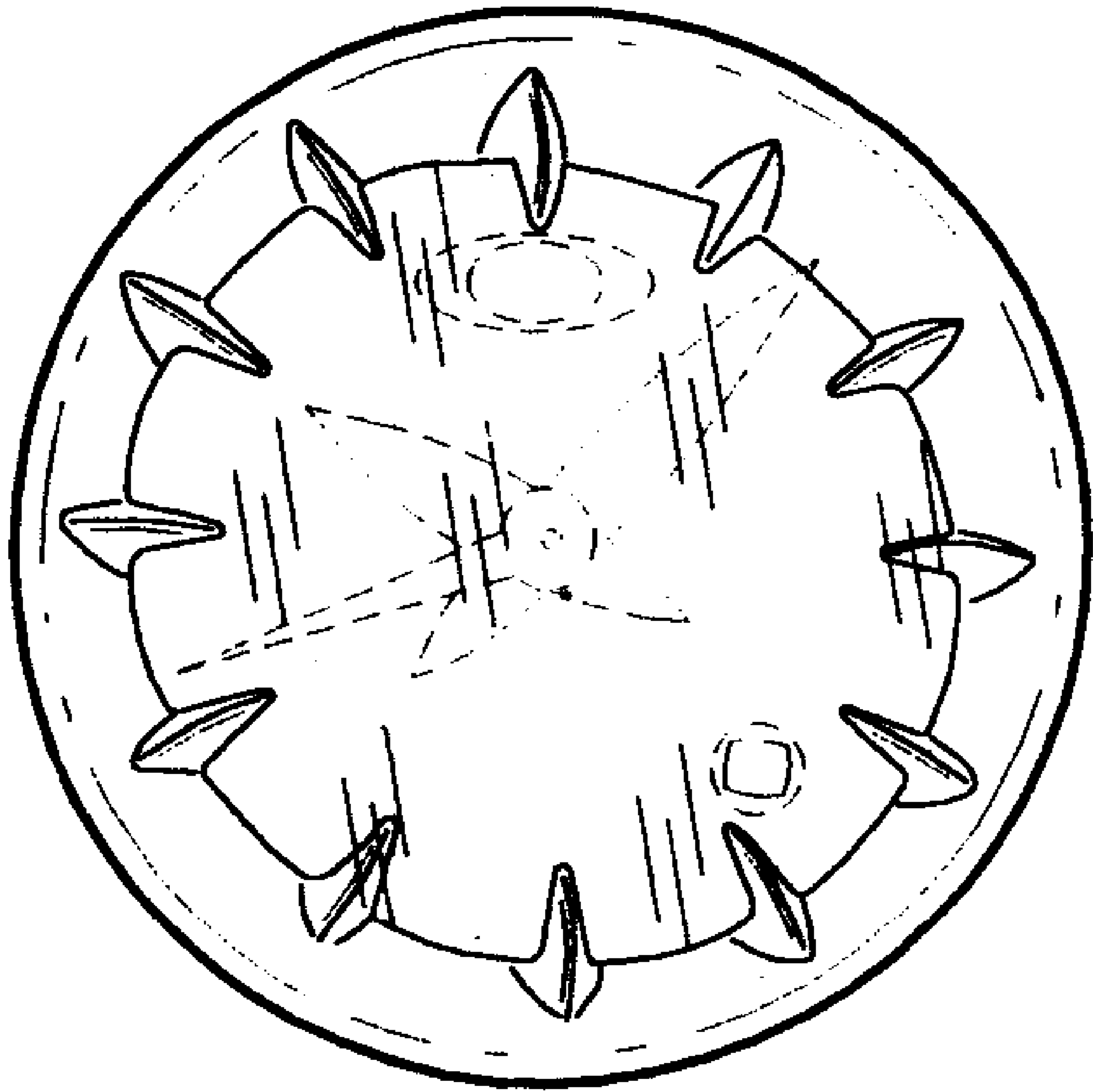
U.S. co-pending patent application Ser. No. 29/154,565, Moritz et al., filed Jan. 25, 2002.

U.S. co-pending patent application Ser. No. 29/154,566, Moritz, filed Jan. 25, 2002.

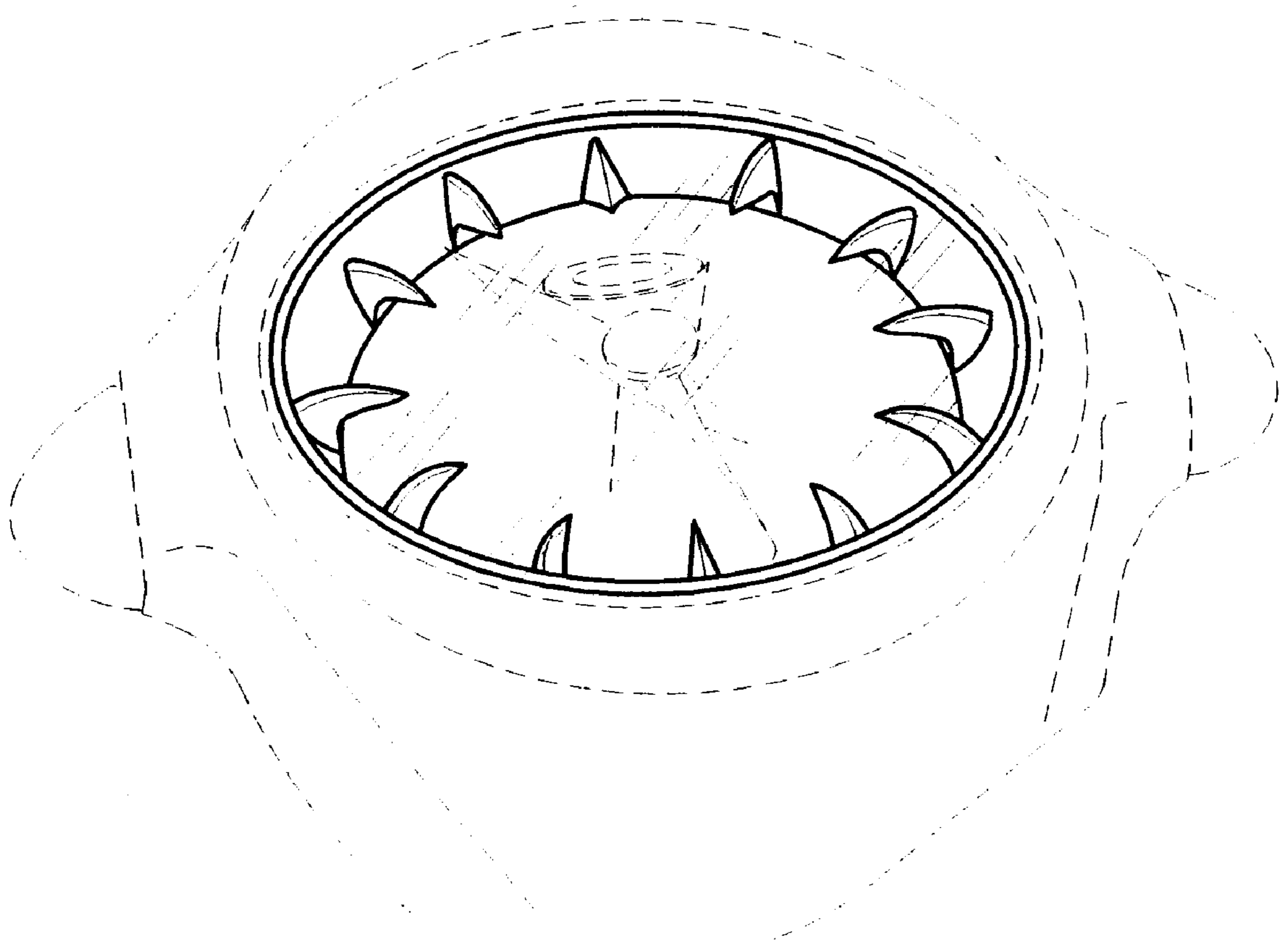
\* cited by examiner



***FIG. 1***



***FIG. 2***



***FIG. 3***