



US00D472835S

(12) **United States Design Patent**  
**Hendey**

(10) **Patent No.:** **US D472,835 S**

(45) **Date of Patent:** **\*\* Apr. 8, 2003**

(54) **WATER METER**

5,557,041 A \* 9/1996 Sanford, Jr. .... 73/273  
6,345,541 B1 \* 2/2002 Hendey ..... 73/861.79

(76) Inventor: **Arthur A. Hendey**, P.O. Box 529,  
Beaumont, CA (US) 92223

\* cited by examiner

(\*\*) Term: **14 Years**

*Primary Examiner*—Antoine Duval Davis  
(74) *Attorney, Agent, or Firm*—Morland C. Fischer

(21) Appl. No.: **29/162,008**

(57) **CLAIM**

(22) Filed: **Jun. 10, 2002**

The ornamental design for a water meter, as shown and disclosed.

(51) **LOC (7) Cl.** ..... **10-04**

(52) **U.S. Cl.** ..... **D10/99**

(58) **Field of Search** ..... D10/99; 73/861.79,  
73/861.77, 861.75, 273, 272, 201, 198,  
861.33; 251/205, 208

**DESCRIPTION**

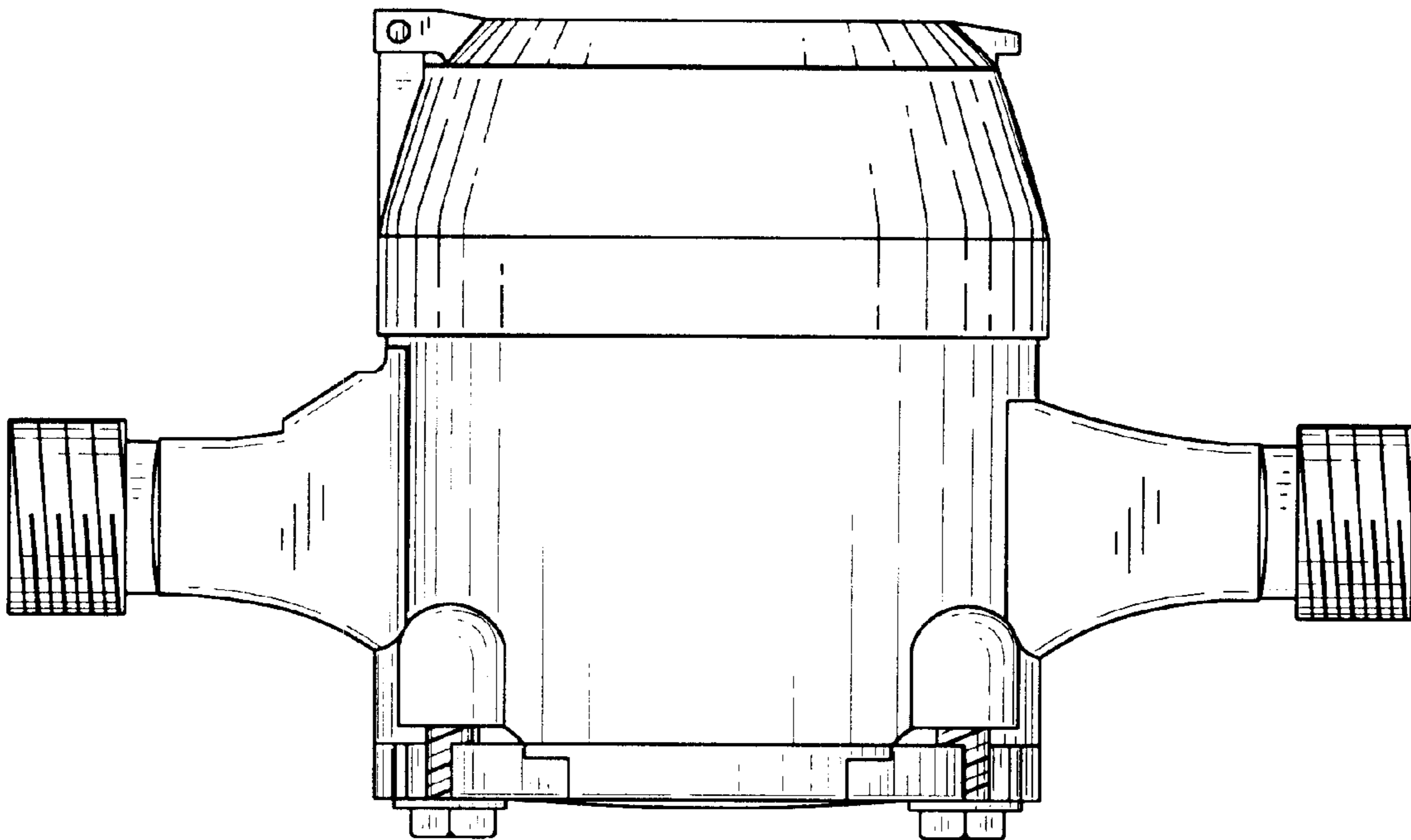
(56) **References Cited**

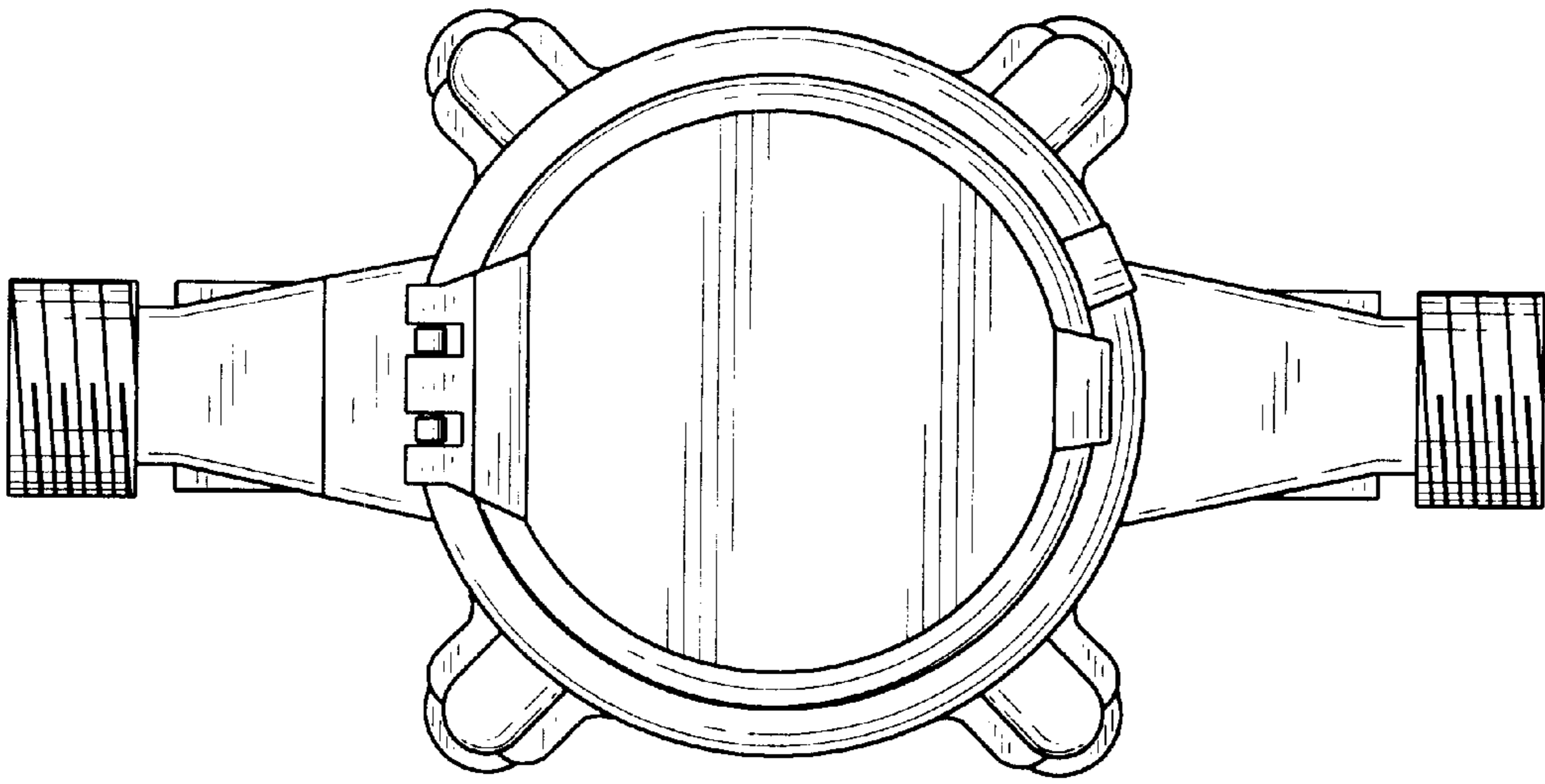
**U.S. PATENT DOCUMENTS**

- D348,018 S \* 6/1994 Poleshuk et al. .... D10/99
- D349,661 S \* 8/1994 DeJarlais et al. .... D10/99
- 5,339,686 A \* 8/1994 DeJarlais et al. .... 73/201
- 5,341,686 A \* 8/1994 Chai ..... 73/861.33

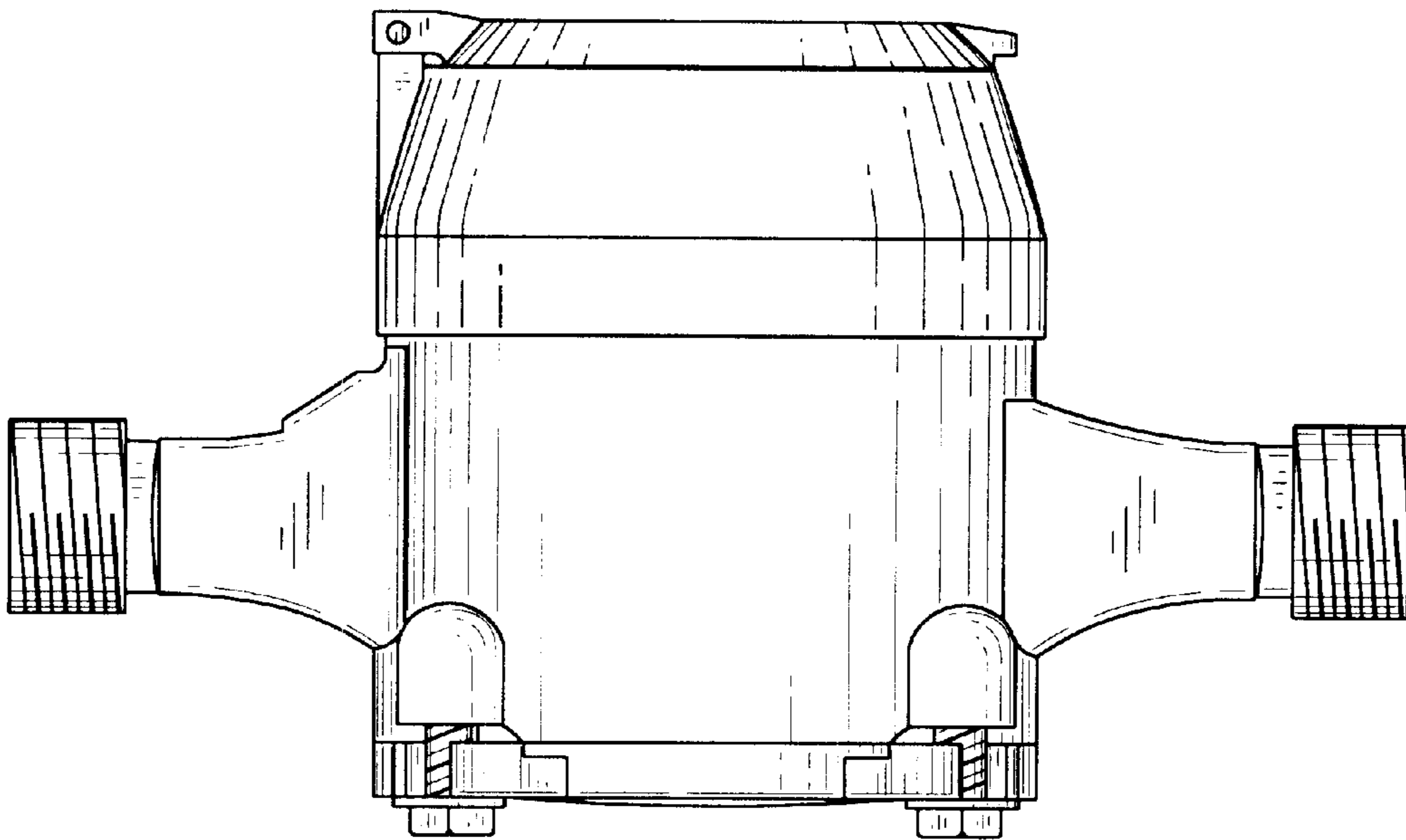
FIG. 1 is a top plan view of a water meter showing my new design;  
FIG. 2 is a front elevational view thereof;  
FIG. 3 is a rear elevational view thereof;  
FIG. 4 is a bottom plan view thereof;  
FIG. 5 is a right side elevational view thereof; and,  
FIG. 6 is a left elevational view thereof.

**1 Claim, 3 Drawing Sheets**

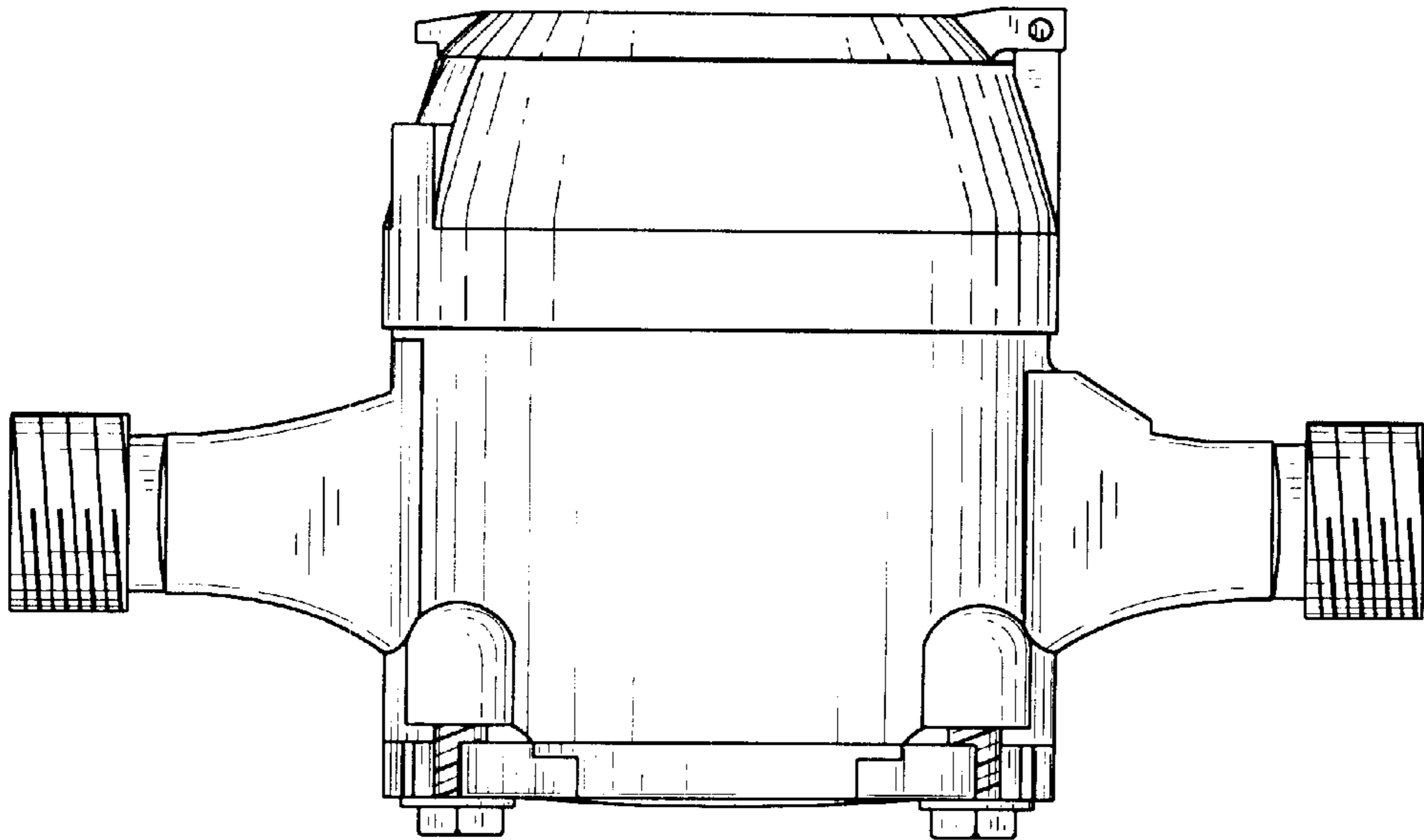




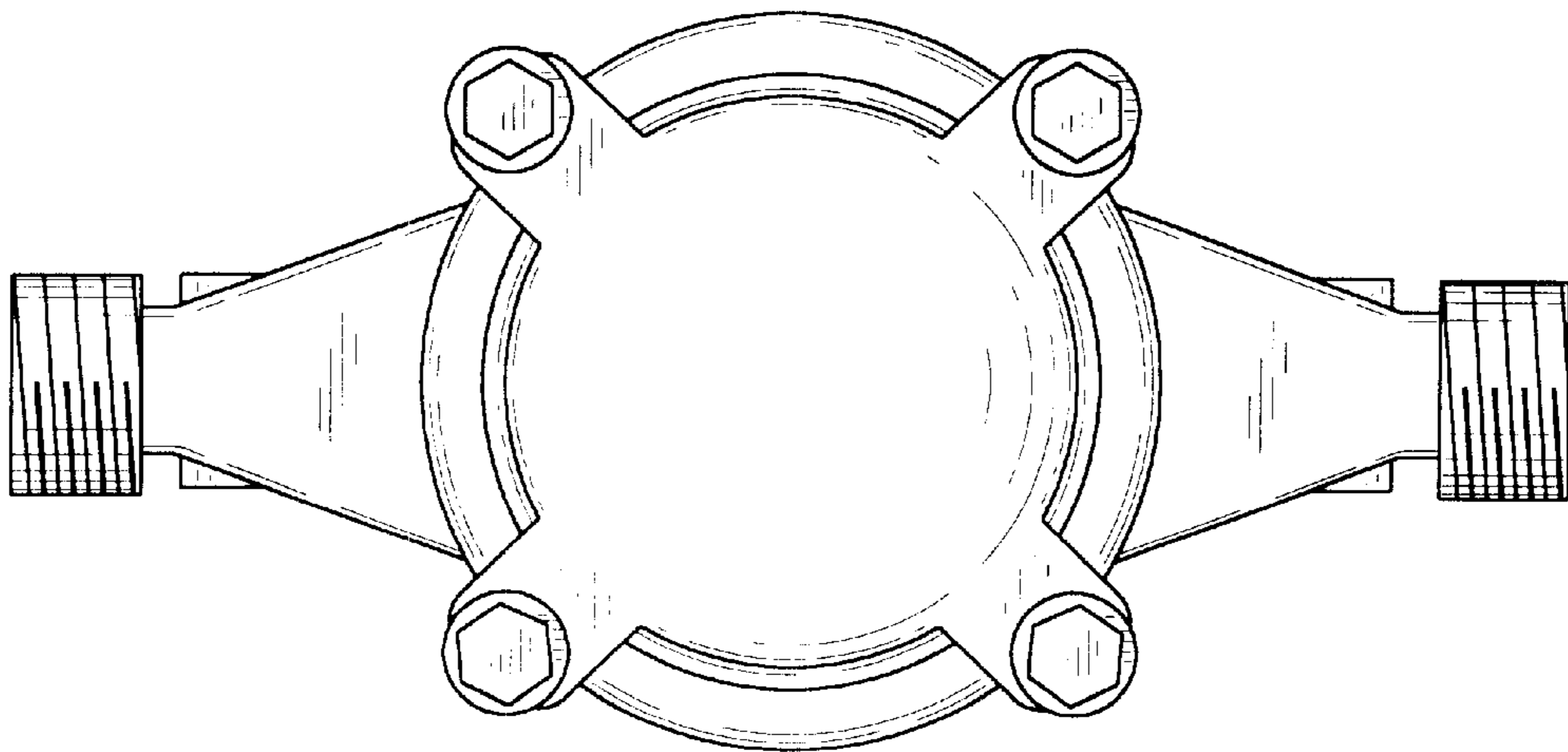
*Fig. 1*



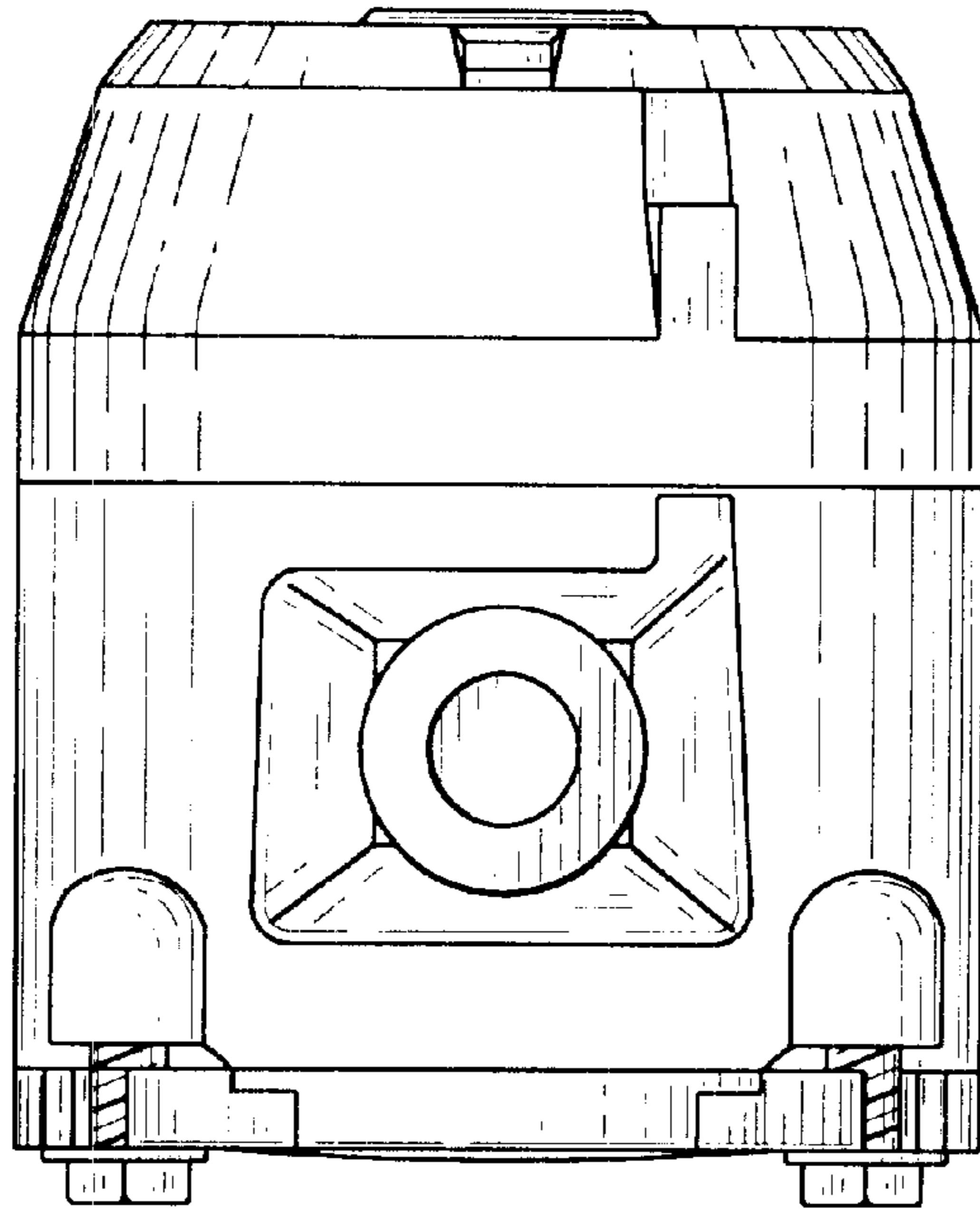
*Fig. 2*



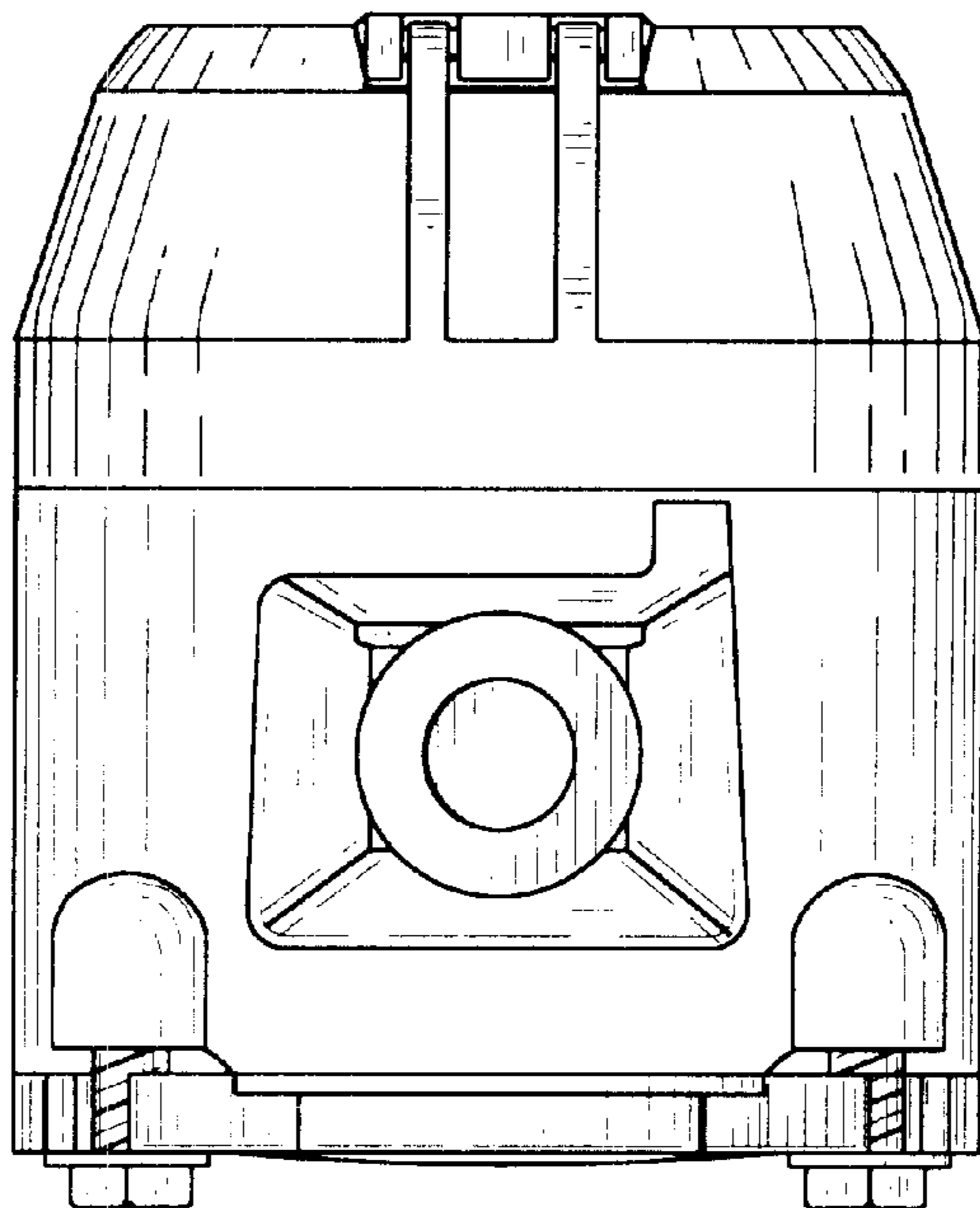
*Fig. 3*



*Fig. 4*



*Fig. 5*



*Fig. 6*