



US00D472831S

(12) **United States Design Patent** (10) **Patent No.:** **US D472,831 S**
Dennis et al. (45) **Date of Patent:** **** *Apr. 8, 2003**

(54) **SINGLE INLET BASE PRESSURE INSTRUMENT**

FOREIGN PATENT DOCUMENTS

EP 0 903 651 A1 3/1999

(75) Inventors: **Steven M. Dennis**, Eden Prairie, MN (US); **William J. Ballot**, New Brighton, MN (US); **Steven M. Behm**, White Bear Lake, MN (US); **Mark Fandrey**, Eden Prairie, MN (US)

OTHER PUBLICATIONS

U.S. patent application Ser. No. 29/149,555, Dennis et al., filed Oct. 11, 2001,

(List continued on next page.)

(73) Assignee: **Rosemount Inc.**, Eden Prairie, MN (US)

Primary Examiner—Antoine Duval Davis

(74) *Attorney, Agent, or Firm*—Westman, Champlin & Kelly, P.A.

(*) Notice: This patent is subject to a terminal disclaimer.

(57) **CLAIM**

(**) Term: **14 Years**

The ornamental design for a single inlet base pressure instrument, as shown and described.

(21) Appl. No.: **29/149,556**

DESCRIPTION

(22) Filed: **Oct. 11, 2001**

First Embodiment: FIGS. 1–7

(51) **LOC (7) Cl.** **10-04**

FIG. 1 is a perspective view;

(52) **U.S. Cl.** **D10/85**

FIG. 2 is a top plan view;

(58) **Field of Search** D10/85; 73/700–756

FIG. 3 is a front elevational view;

FIG. 4 is a left side view;

FIG. 5 is a right side view;

FIG. 6 is a rear elevational view; and

FIG. 7 is a bottom plan view.

(56) **References Cited**

U.S. PATENT DOCUMENTS

4,617,607 A	10/1986	Park et al.	361/283
D287,827 S	1/1987	Broden	D10/46
D296,995 S	8/1988	Lee	D10/46
D297,314 S	8/1988	Hedtke	D10/46
D297,315 S	8/1988	Pierce et al.	D10/85
D317,266 S	6/1991	Broden et al.	D10/46
D317,269 S	6/1991	Selg	D10/52
D318,432 S	7/1991	Broden et al.	D10/46
D329,619 S	9/1992	Cartwright	D10/52
D342,456 S	12/1993	Miller et al.	D10/60
5,369,386 A	11/1994	Alden et al.	335/206
D358,784 S	5/1995	Templin, Jr. et al.	D10/96
D366,000 S	1/1996	Karas et al.	D10/60
D366,218 S	1/1996	Price et al.	D10/52
5,656,782 A	8/1997	Powell, II et al.	73/756
5,823,228 A	10/1998	Chou	137/597
5,920,016 A	7/1999	Broden	73/756

Second Embodiment: FIGS. 8–14

FIG. 8 is a perspective view;

FIG. 9 is a top plan view;

FIG. 10 is a front elevational view;

FIG. 11 is a left side view;

FIG. 12 is a right side view;

FIG. 13 is a rear elevational view; and

FIG. 14 is a bottom plan view.

Third Embodiment: FIGS. 15–21

FIG. 15 is a perspective view;

FIG. 16 is a top plan view;

FIG. 17 is a front elevational view;

FIG. 18 is a left side view;

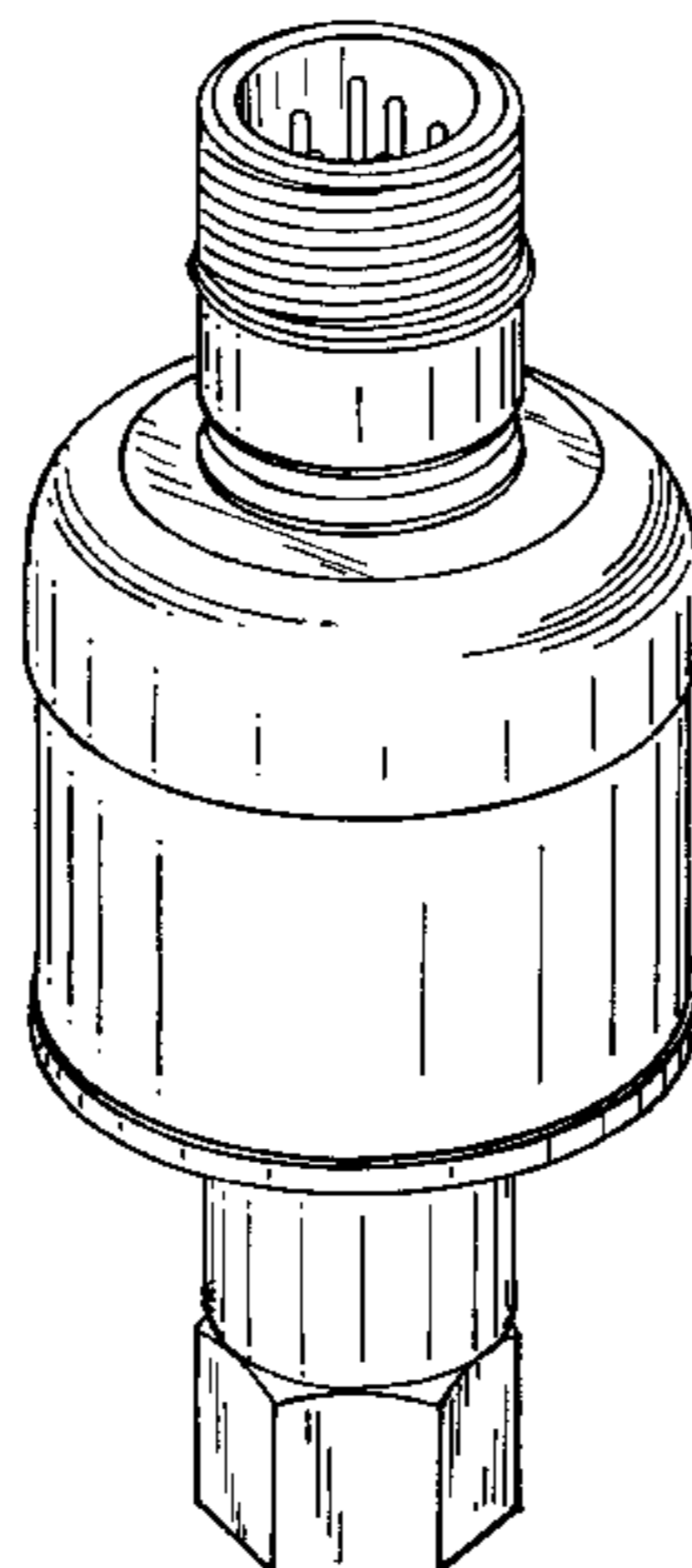
FIG. 19 is a right side view;

FIG. 20 is a rear elevational view; and,

FIG. 21 is a bottom plan view.

(List continued on next page.)

1 Claim, 15 Drawing Sheets



U.S. PATENT DOCUMENTS

5,988,203 A	11/1999	Hutton	137/597
6,038,927 A	3/2000	Karas	73/706
6,059,254 A	5/2000	Sundet et al.	248/678
D439,177 S	3/2001	Fandrey et al.	
D439,178 S	3/2001	Fandrey et al.	
D439,179 S	3/2001	Fandrey et al.	
D439,180 S	3/2001	Fandrey et al.	
D439,181 S	3/2001	Fandrey et al.	
D441,672 S	5/2001	Fandrey et al.	

OTHER PUBLICATIONS

Product Data Sheet No.: 00813-0100-4001, "Model 3051 Digital Pressure Transmitter for Pressure, Flow, and Level Measurement", by Rosemount Inc., Eden Prairie, Minnesota, (1998).

Product Data Sheet No.: 00813-0100-4698, "Model 2090F Sanitary Pressure Transmitter", by Rosemount Inc., Eden Prairie, Minnesota, (1998).

Product Data Sheet No.: 00813-0100-4690, "Model 2088 Economical Smart Pressure Transmitter", by Rosemount Inc., Eden Prairie, Minnesota, (1998).

Product Data Sheet No.: 00813-0100-4592, "Model 2024 Differential Pressure Transmitter", by Rosemount Inc., Eden Prairie, Minnesota, (1987-1995).

Product Data Sheet No.: 00813-0100-4360, "Model 1151 Alphaline® Pressure Transmitters", by Rosemount Inc., Eden Prairie, Minnesota, (1998).

Product Data Sheet No.: 00813-0100-4458, "Model 1135F Pressure-to-Current Converter", by Rosemount Inc., Eden Prairie, Minnesota, (1983, 1986, 1994).

Rosemount Model 8732C Magnetic Flowmeter Transmitter, by Rosemount Inc., Eden Prairie, Minnesota, (1998).

Product Data Sheet No.: 00813-0100-4263, "Model 444 Alphaline® Temperature Transmitters", by Rosemount Inc., Eden Prairie, Minnesota, (1997).

Product Data Sheet No.: 00813-0100-4769, "Model 3244MV Multivariable Temperature Transmitter with FOUNDATION™ Fieldbus", by Rosemount Inc., Eden Prairie, Minnesota, (1998).

Product Data Sheet No.: 00813-0100-4724, "Models 3144 and 3244MV Smart Temperature Transmitters", by Rosemount Inc., Eden Prairie, Minnesota, (1998).

Product Data Sheet No.: 00813-0100-4738, "Model 3095FB Multivariable™ Transmitter with Modbus™ Protocol", by Rosemount Inc., Eden Prairie, Minnesota, (1996, 1997).

Product Data Sheet No.: 00813-0100-4378, "Model 751 Field Signal Indicator", by Rosemount Inc., Eden Prairie, Minnesota, (1997).

Product Data Sheet No.: 00813-0100-4731, "APEX™ Radar Gauge", by Rosemount Inc., Eden Prairie, Minnesota, (1998).

Product Data Sheet No.: 00813-0100-4640, "Model 3201 Hydrostatic Interface Unit", from the Rosemount Comprehensive Product Catalog, published 1998, by Rosemount Inc., Eden Prairie, Minnesota.

Product Data Sheet No.: 00813-0100-4003, "Model 8800A", by Rosemount Inc., Eden Prairie, Minnesota, (1998).

Product Data Sheet No.: 00813-0100-4773, "Model 8742C—Magnetic Flowmeter Transmitter with FOUNDATION™ Fieldbus", from the Rosemount Comprehensive Product Catalog published 1998, by Rosemount Inc., Eden Prairie, Minnesota.

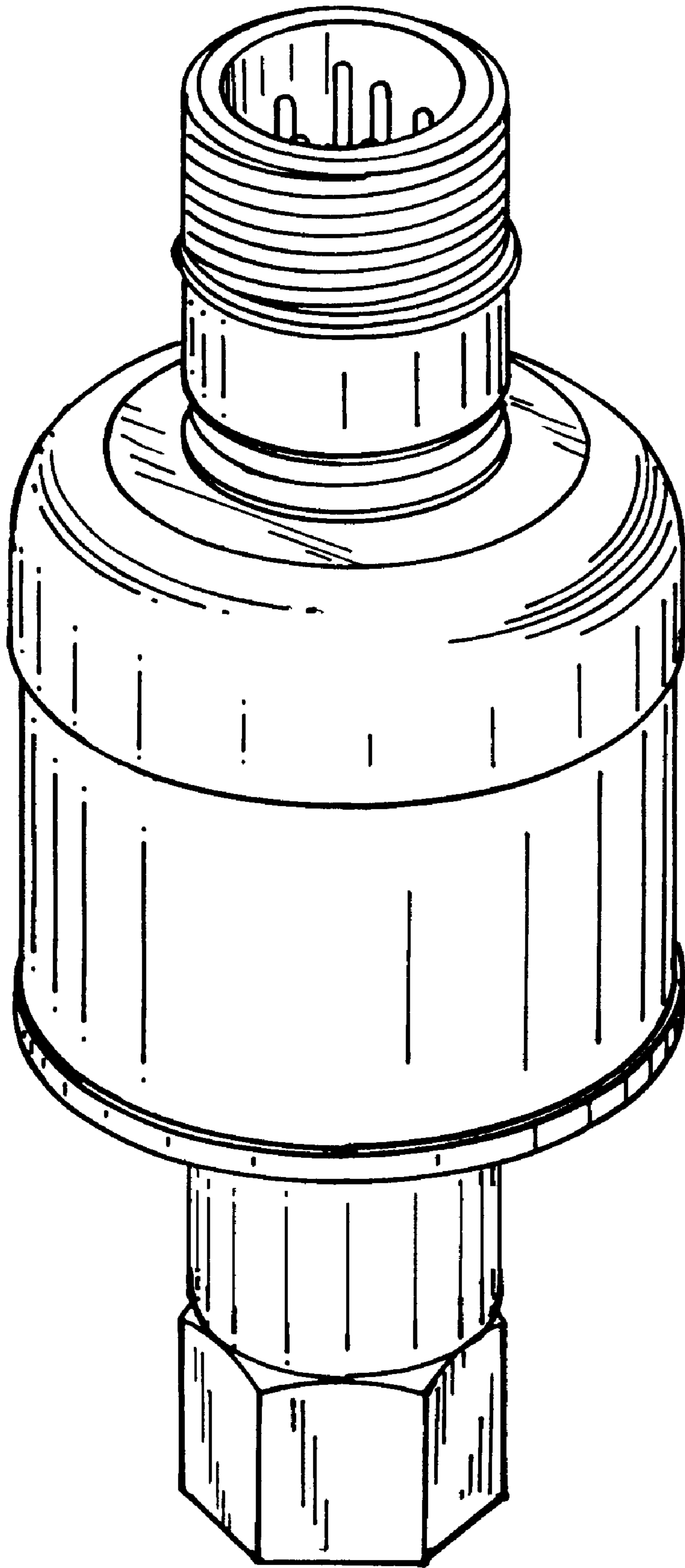


FIG. 1

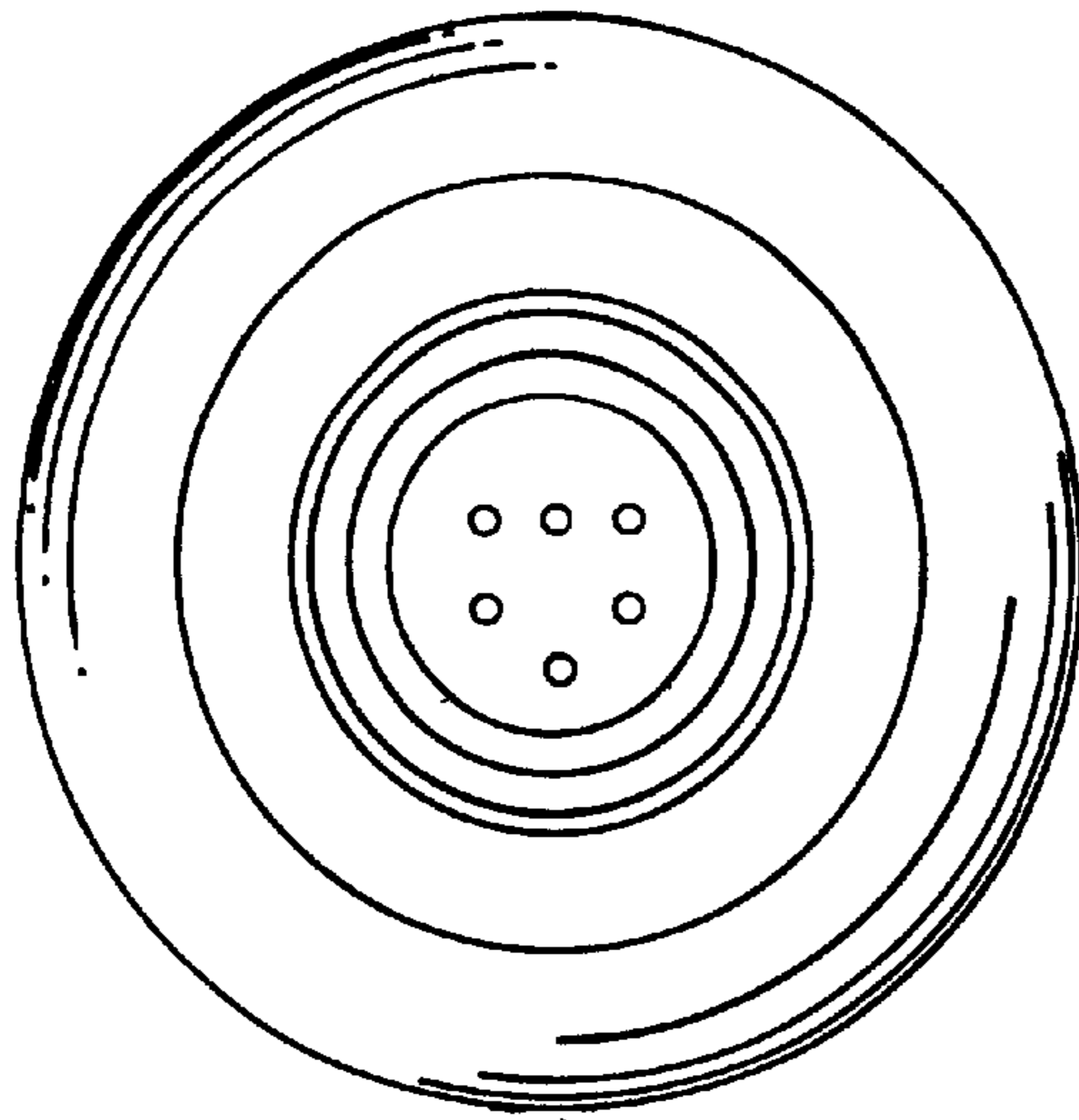


FIG. 2

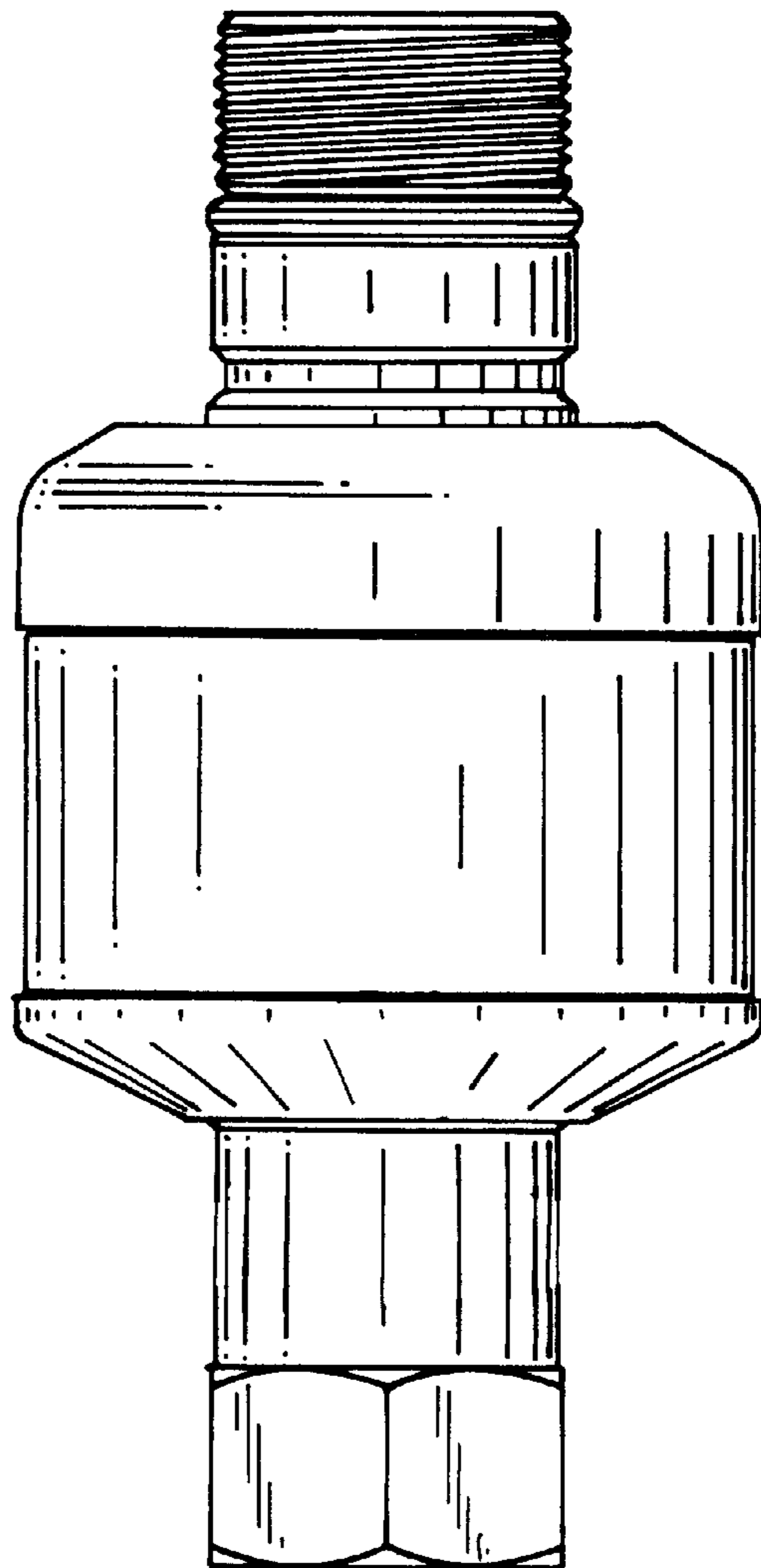


FIG. 3

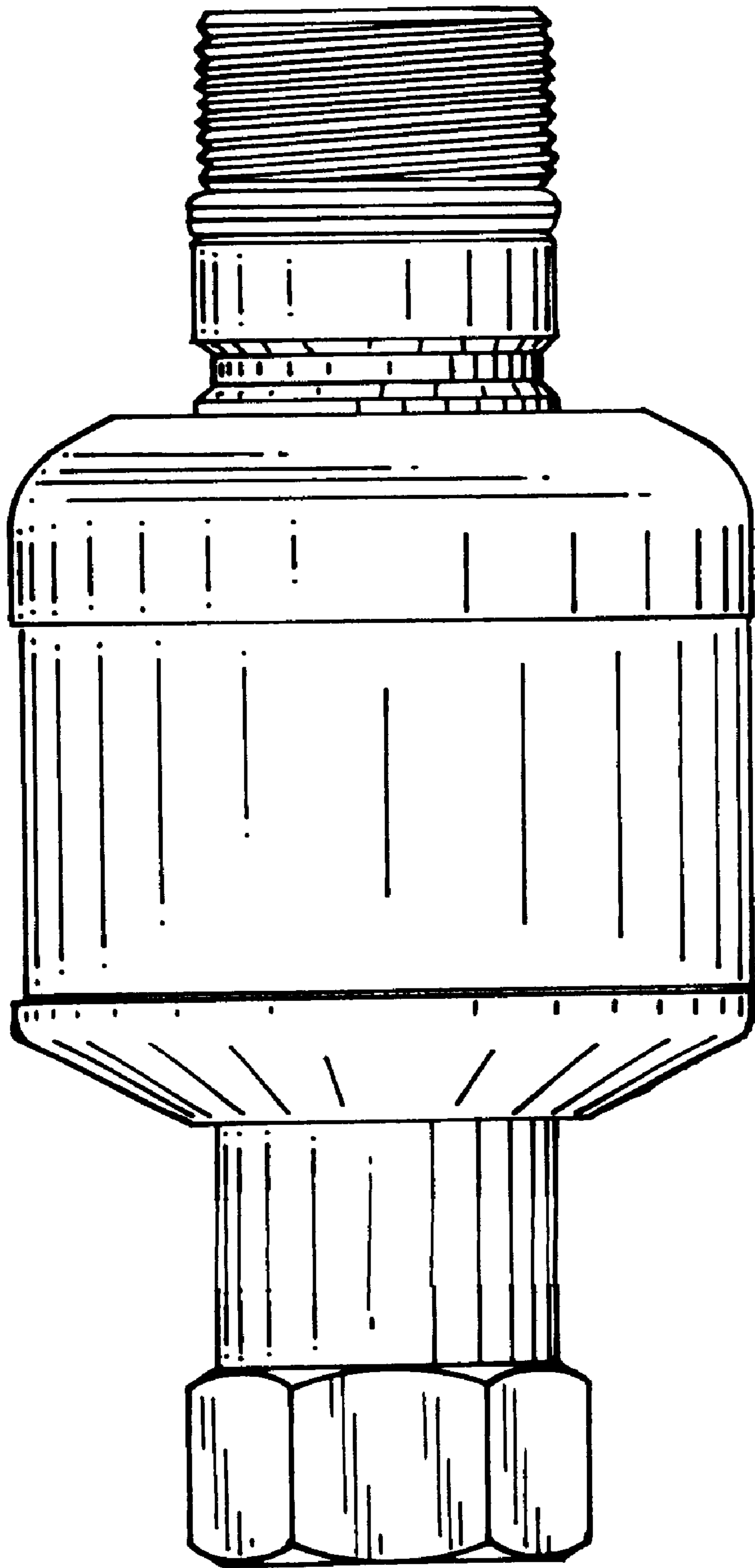


FIG. 4

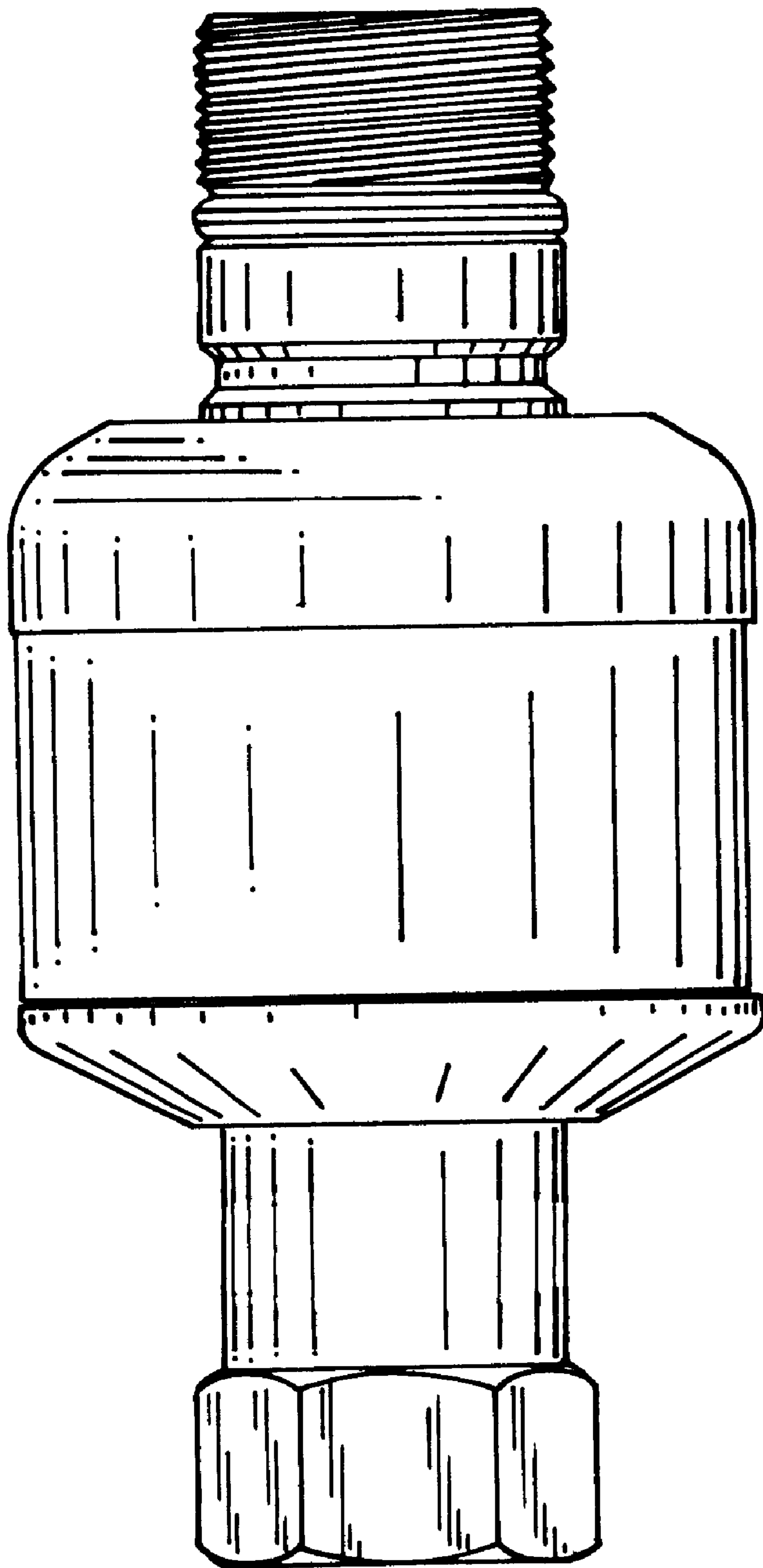


FIG. 5

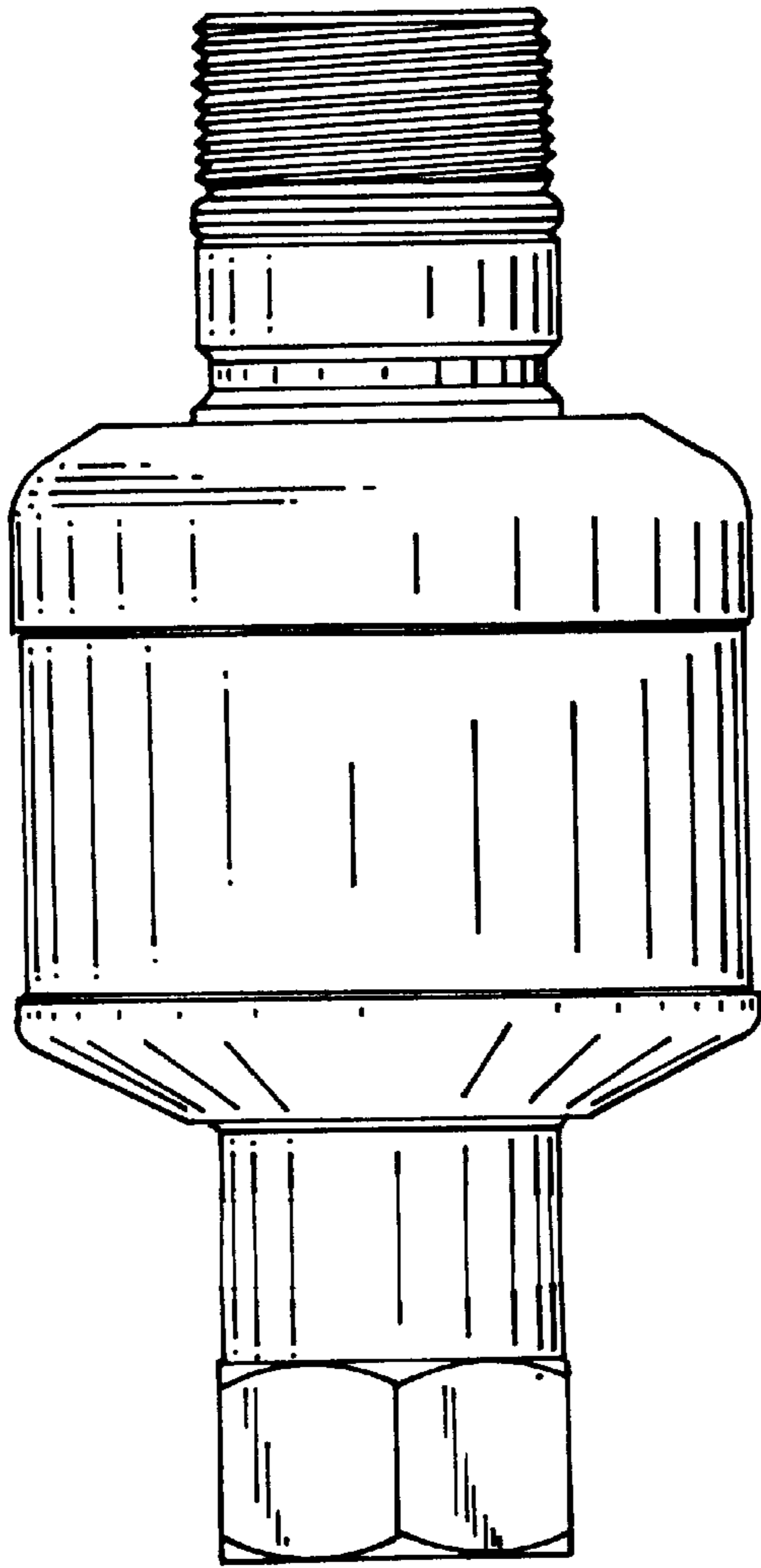


FIG. 6

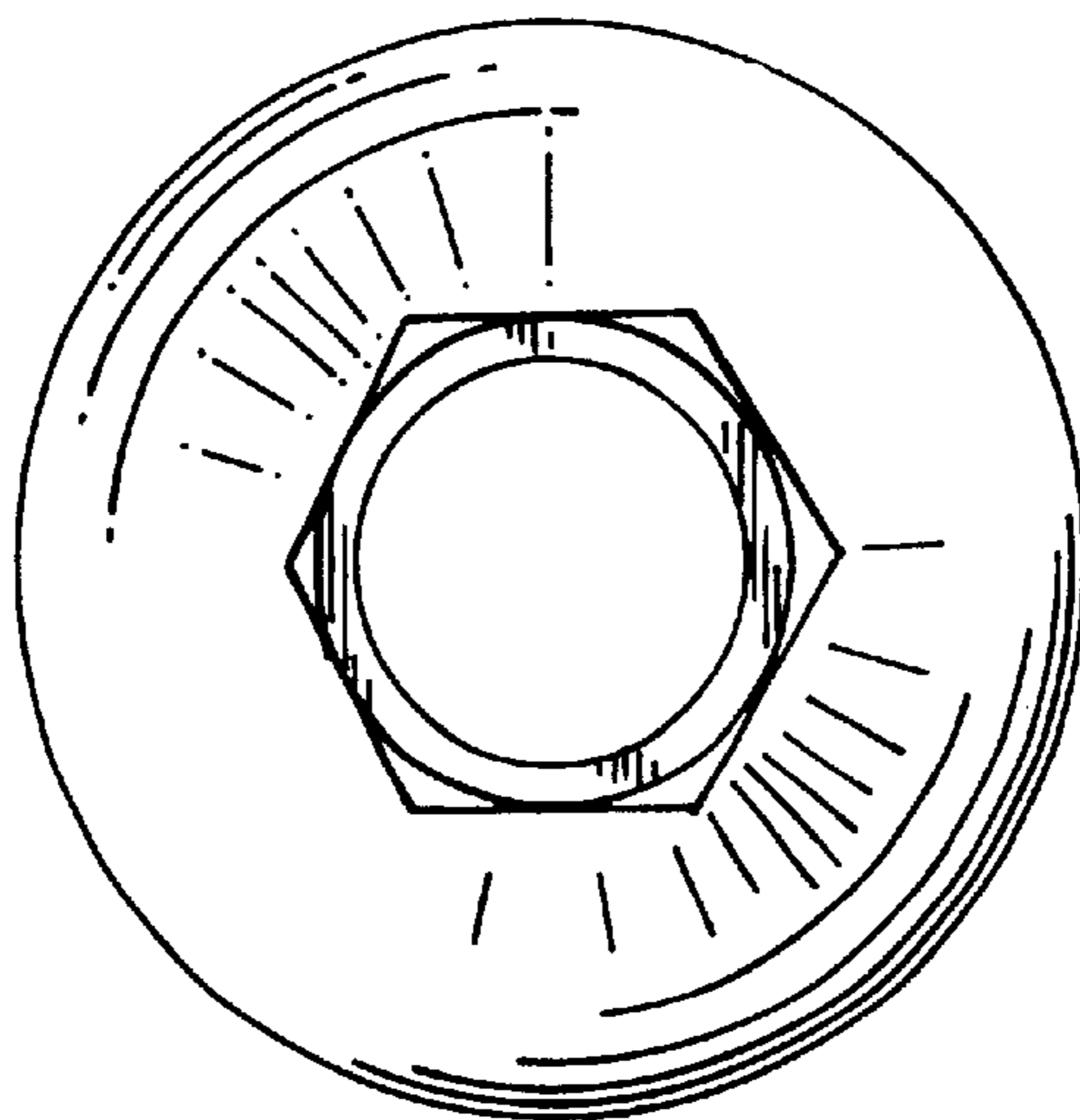


FIG. 7

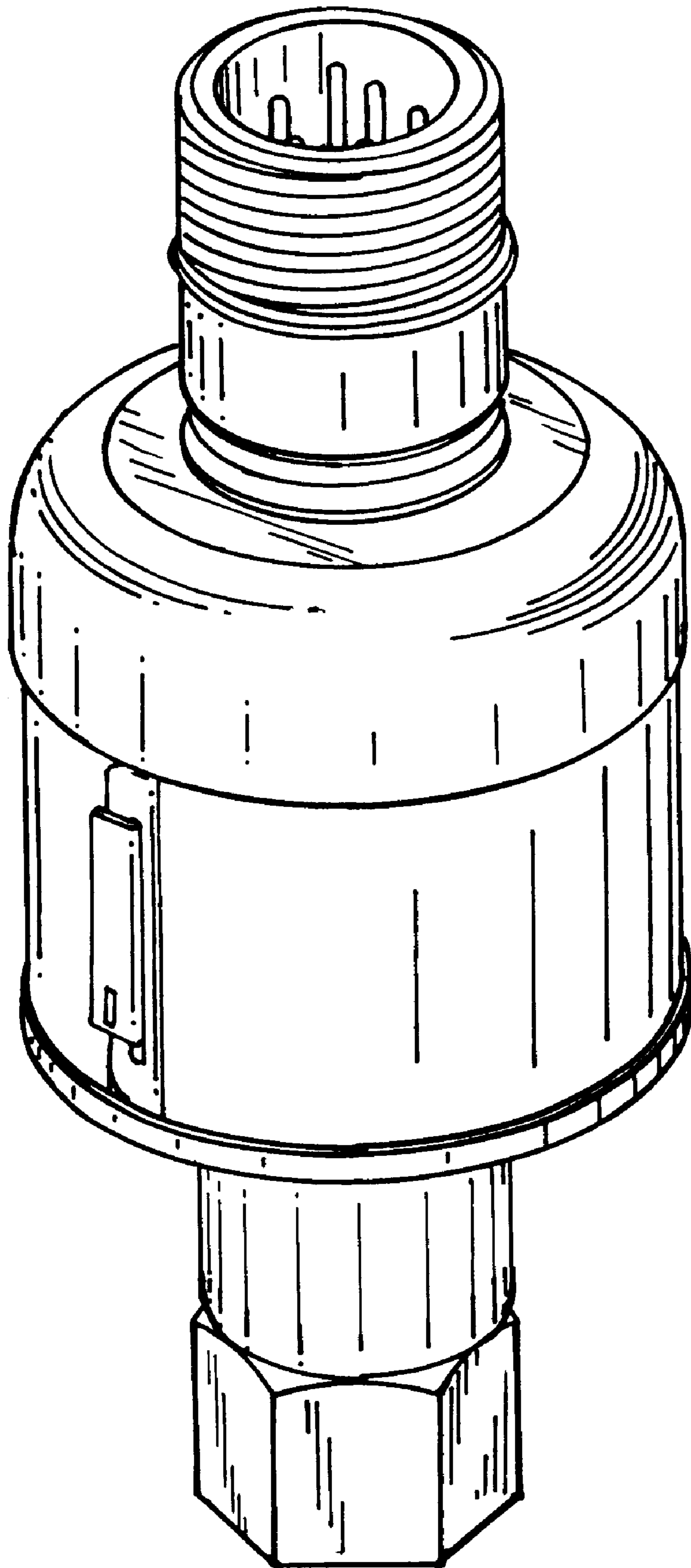


FIG. 8

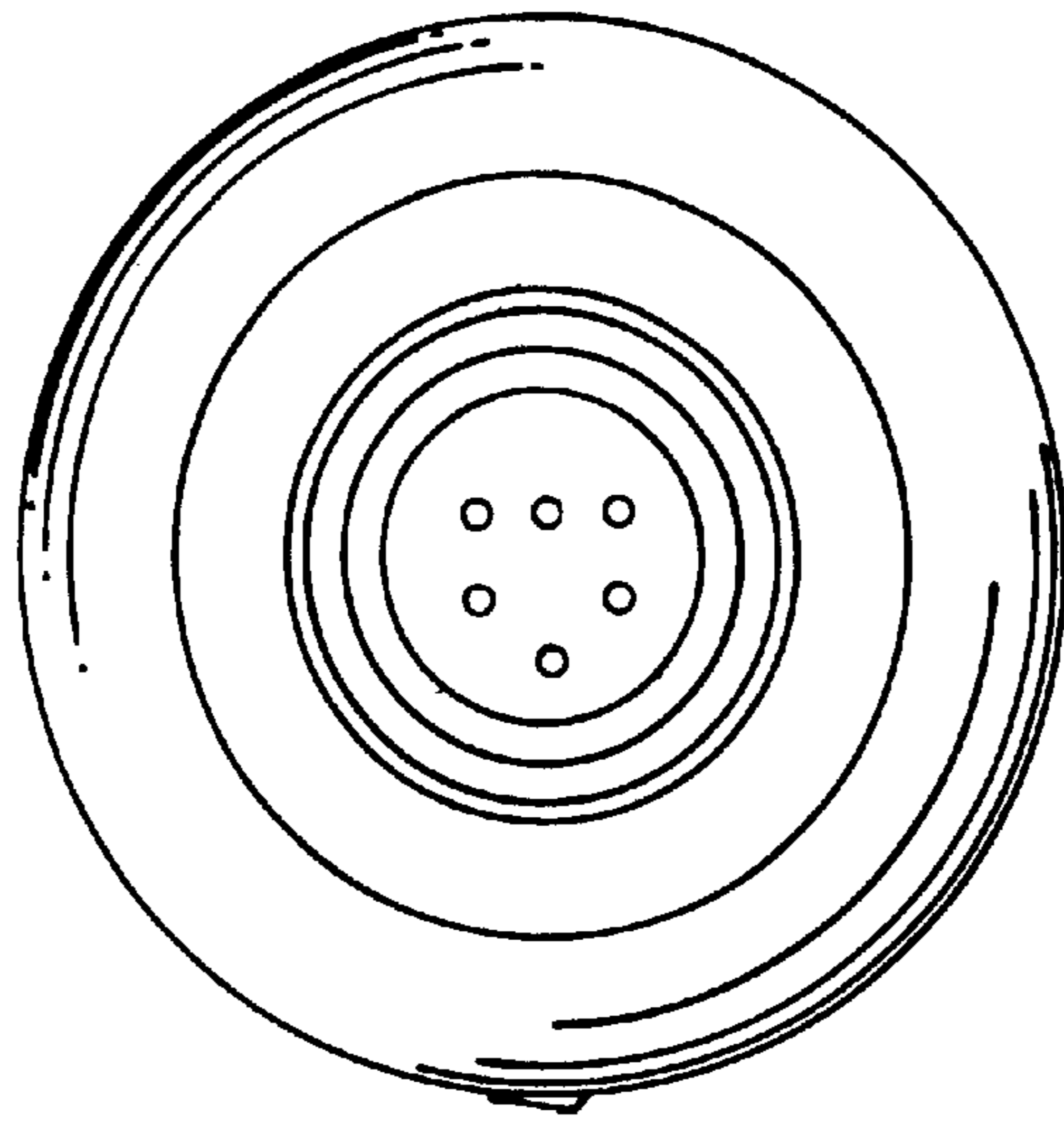


FIG. 9

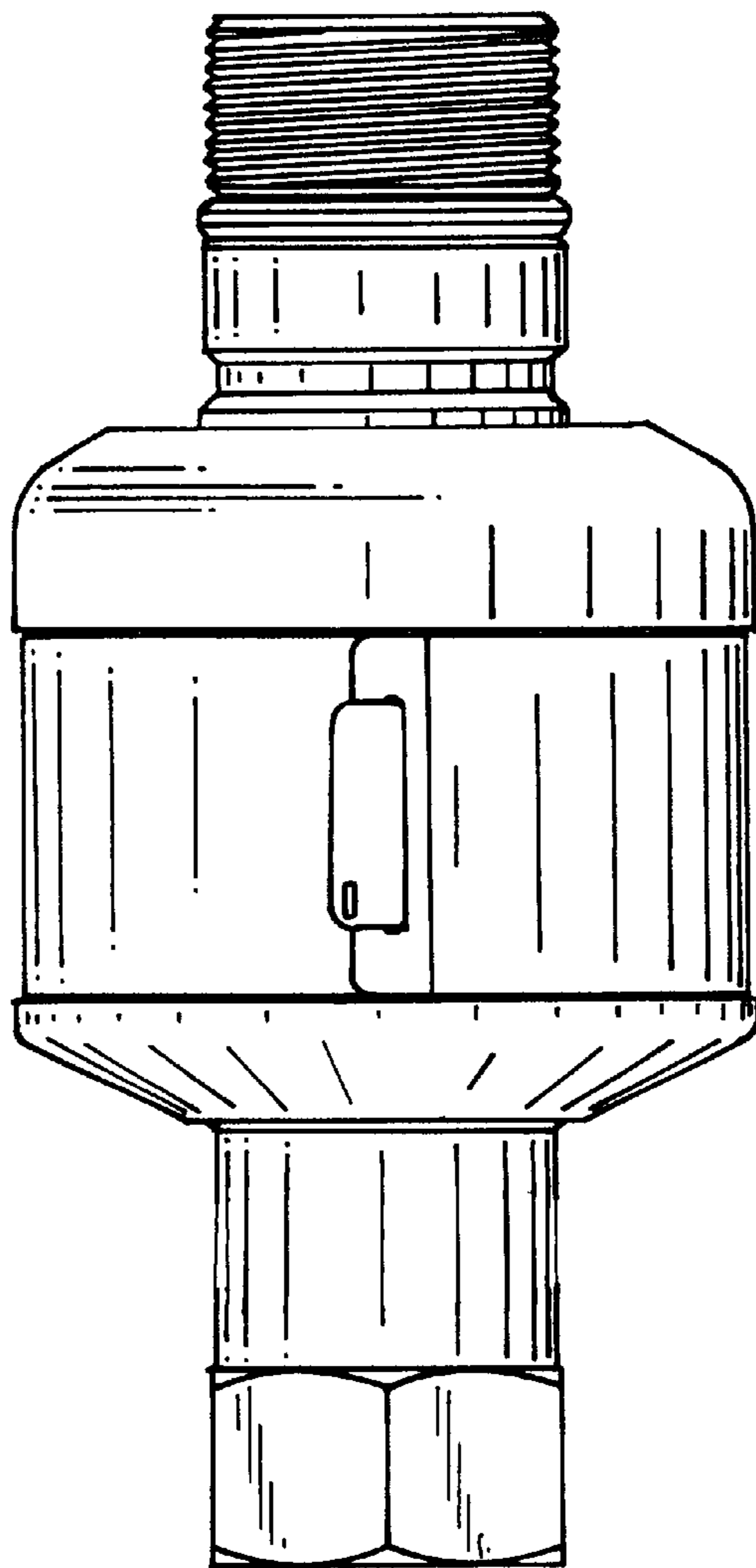


FIG. 10

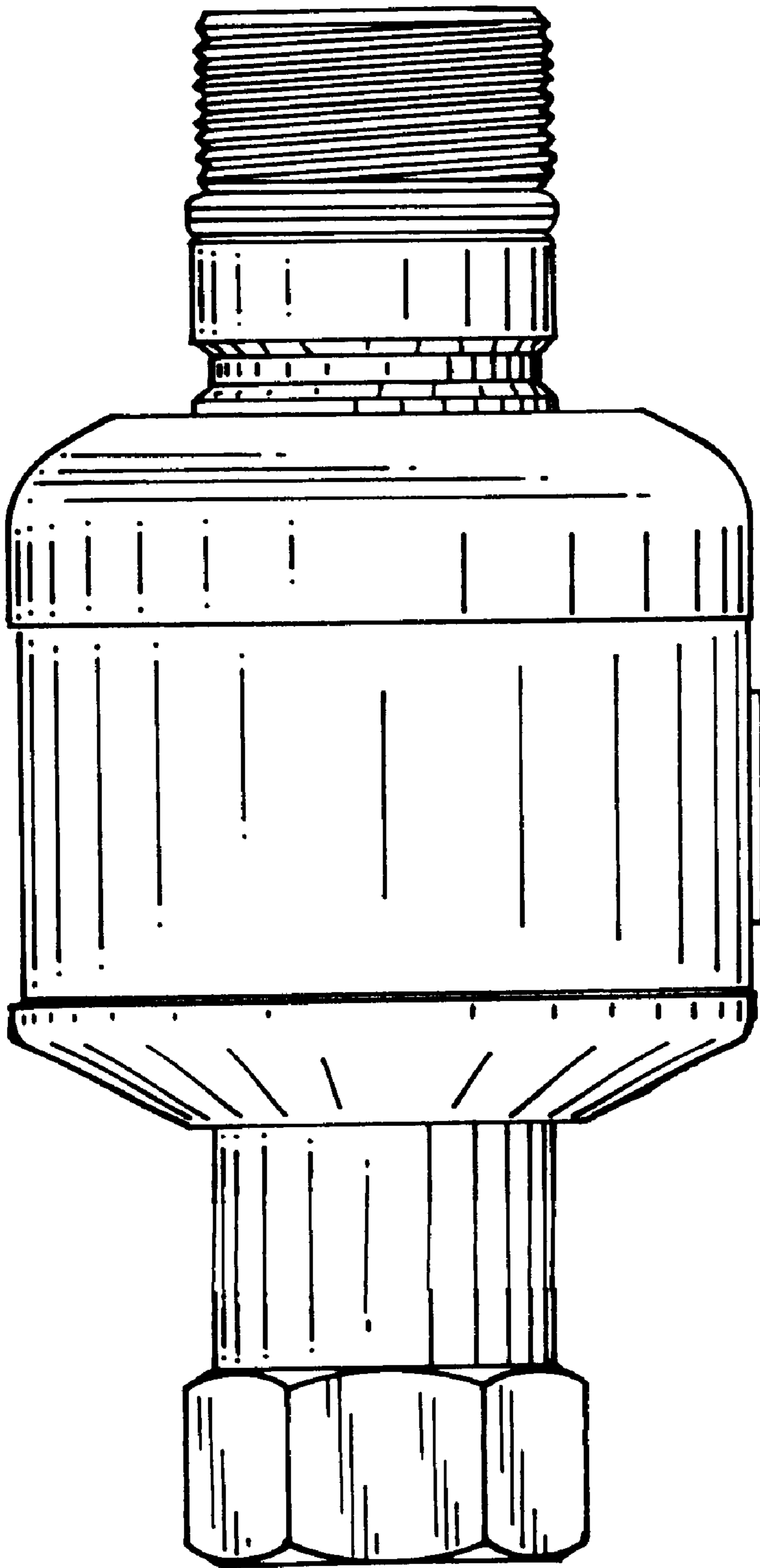


FIG. 11

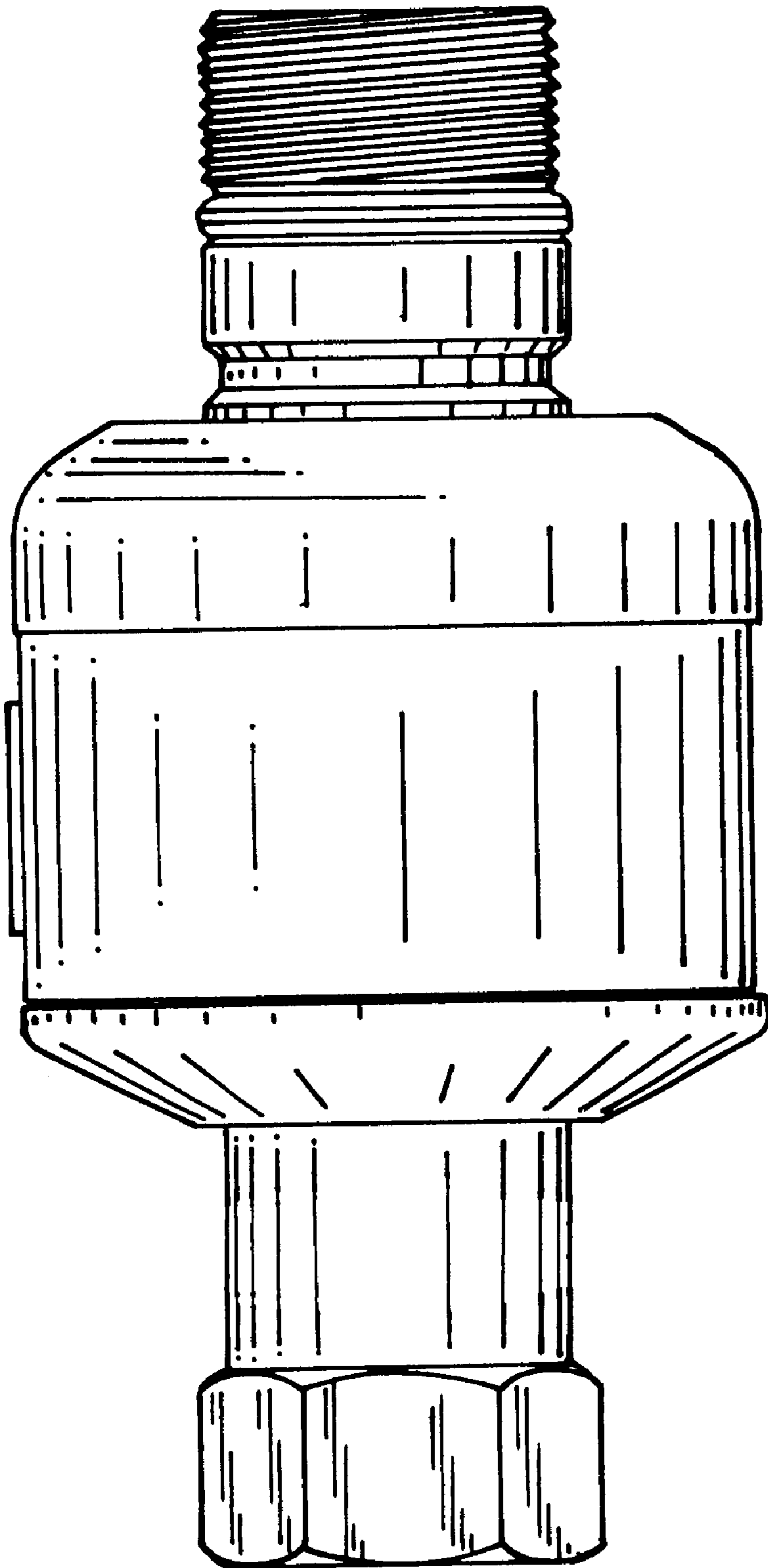


FIG. 12

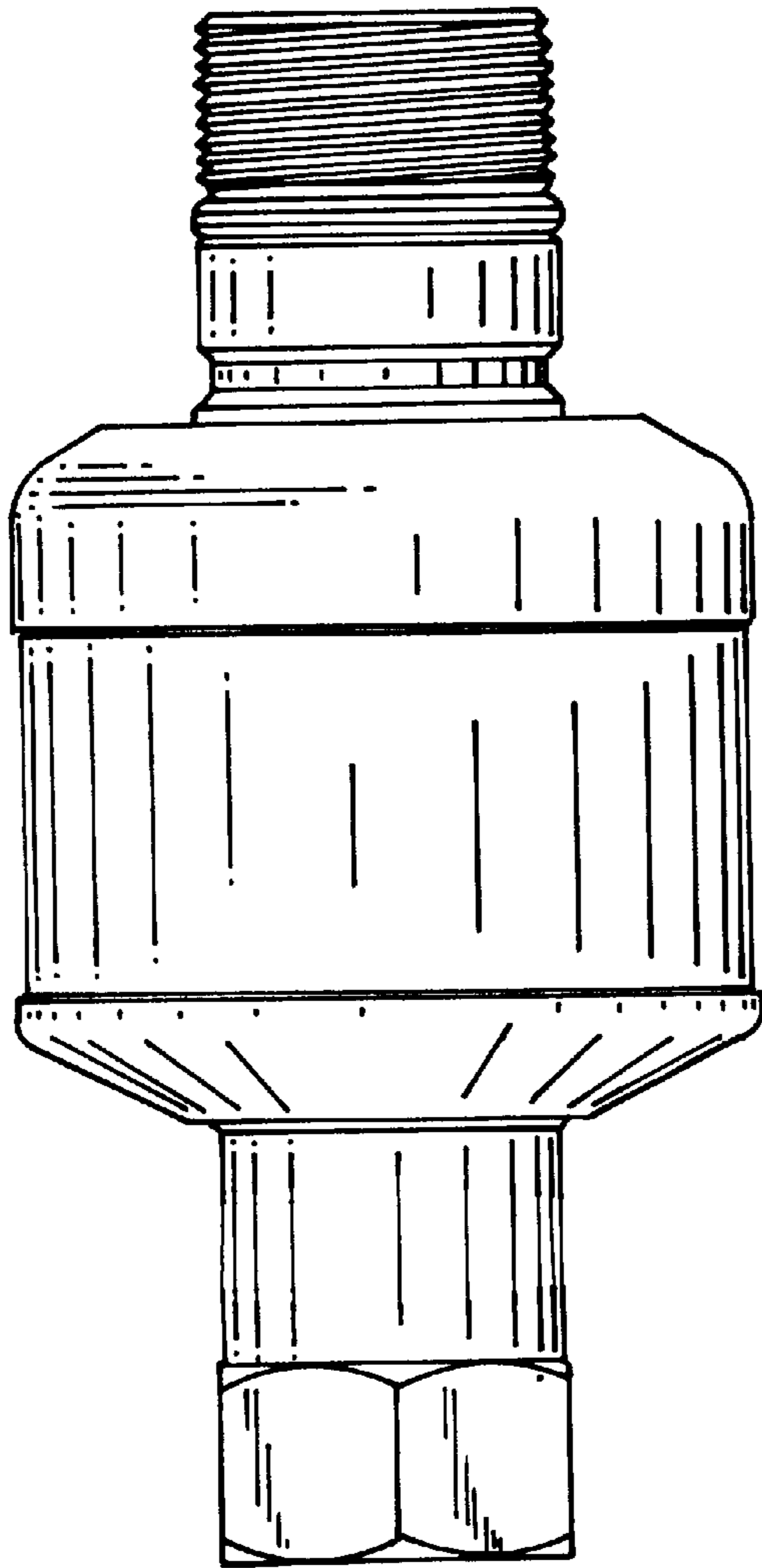


FIG. 13

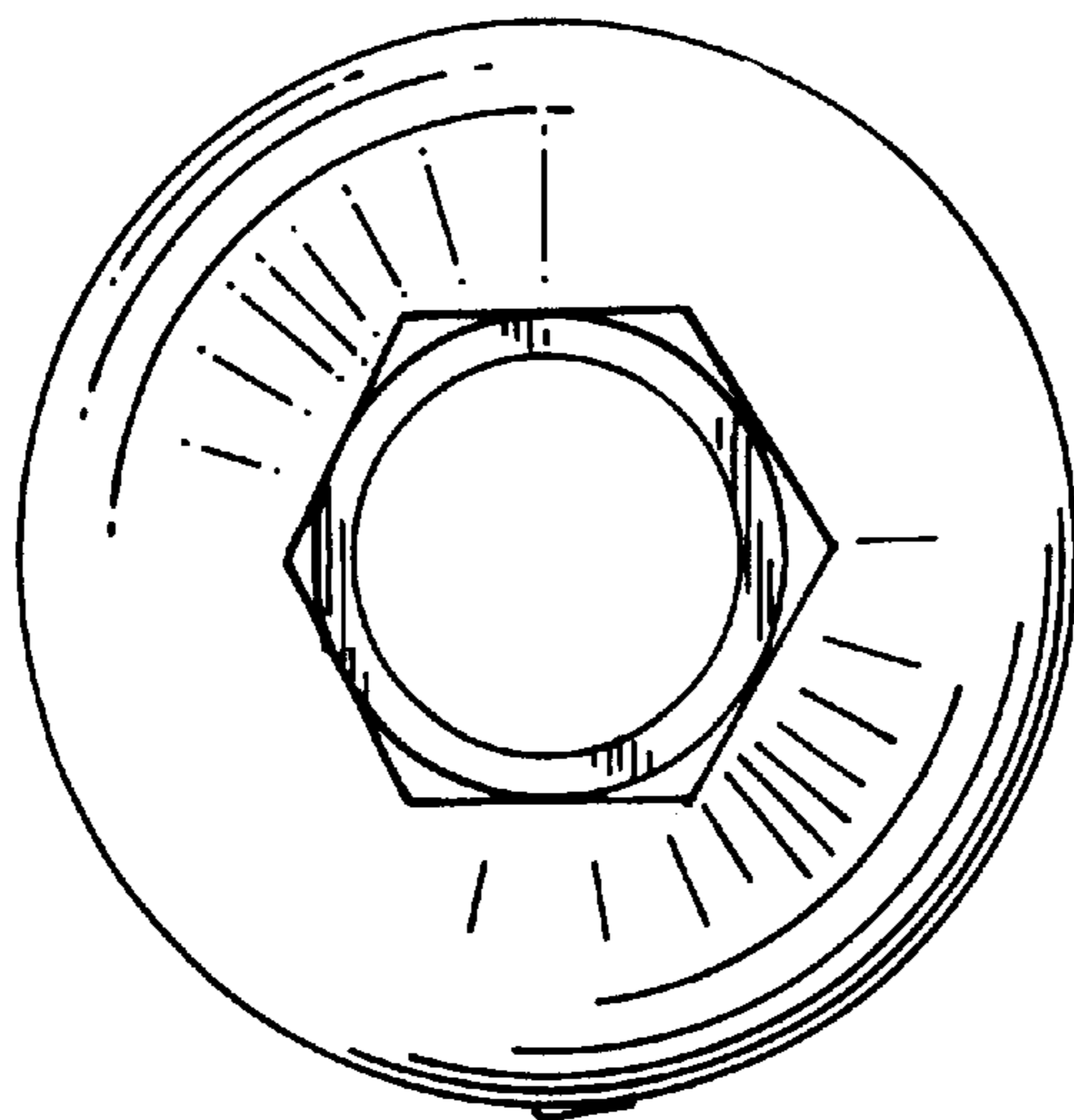


FIG. 14

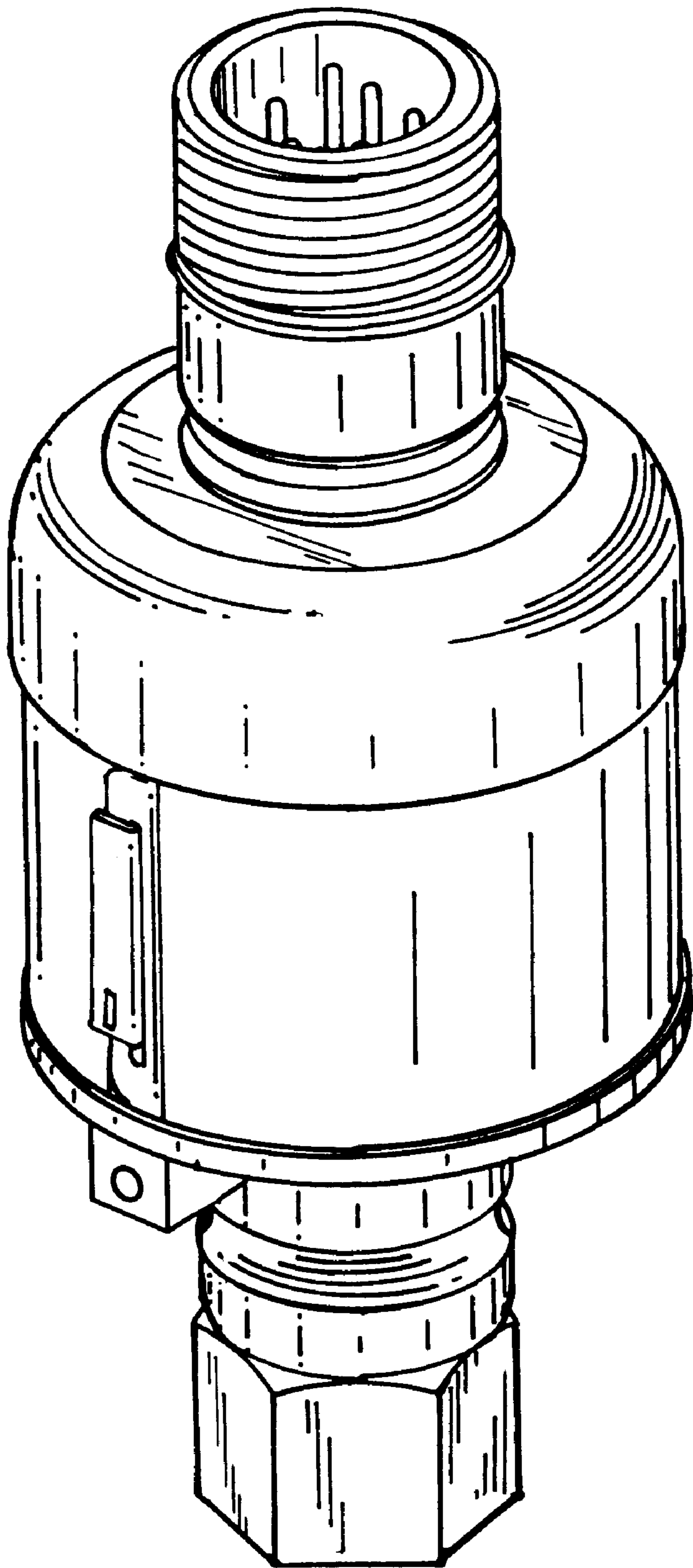


FIG. 15

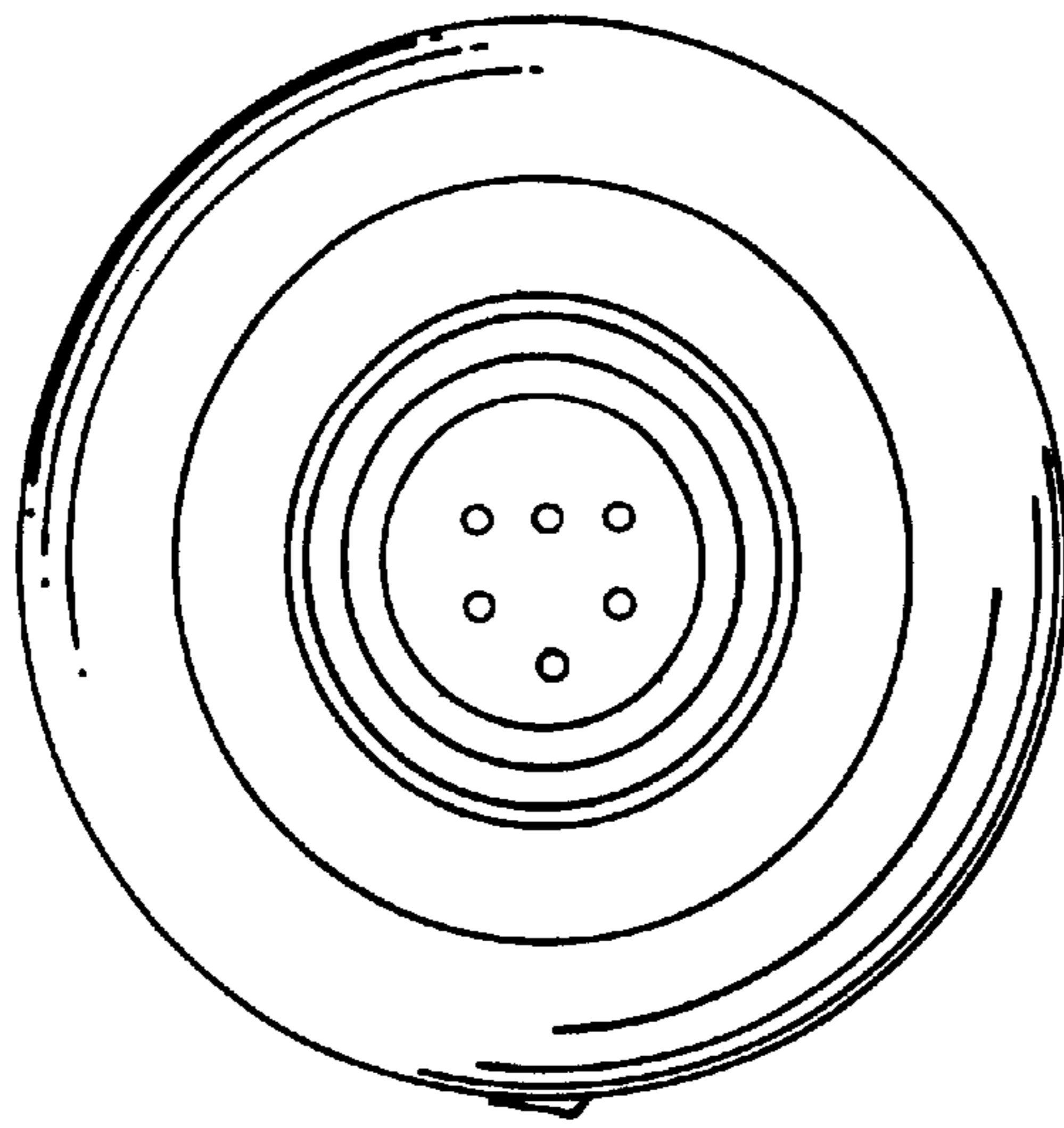


FIG. 16

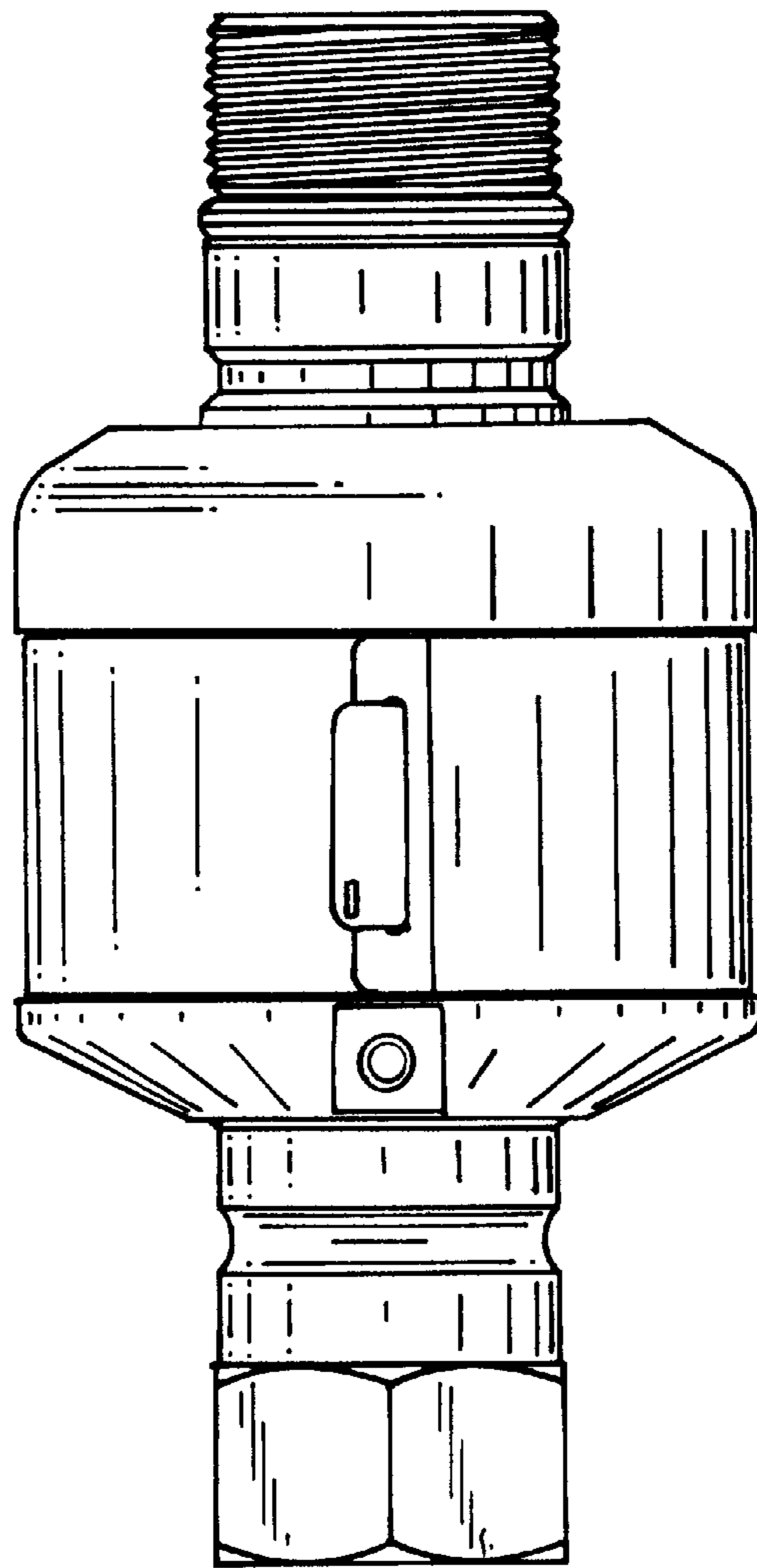


FIG. 17

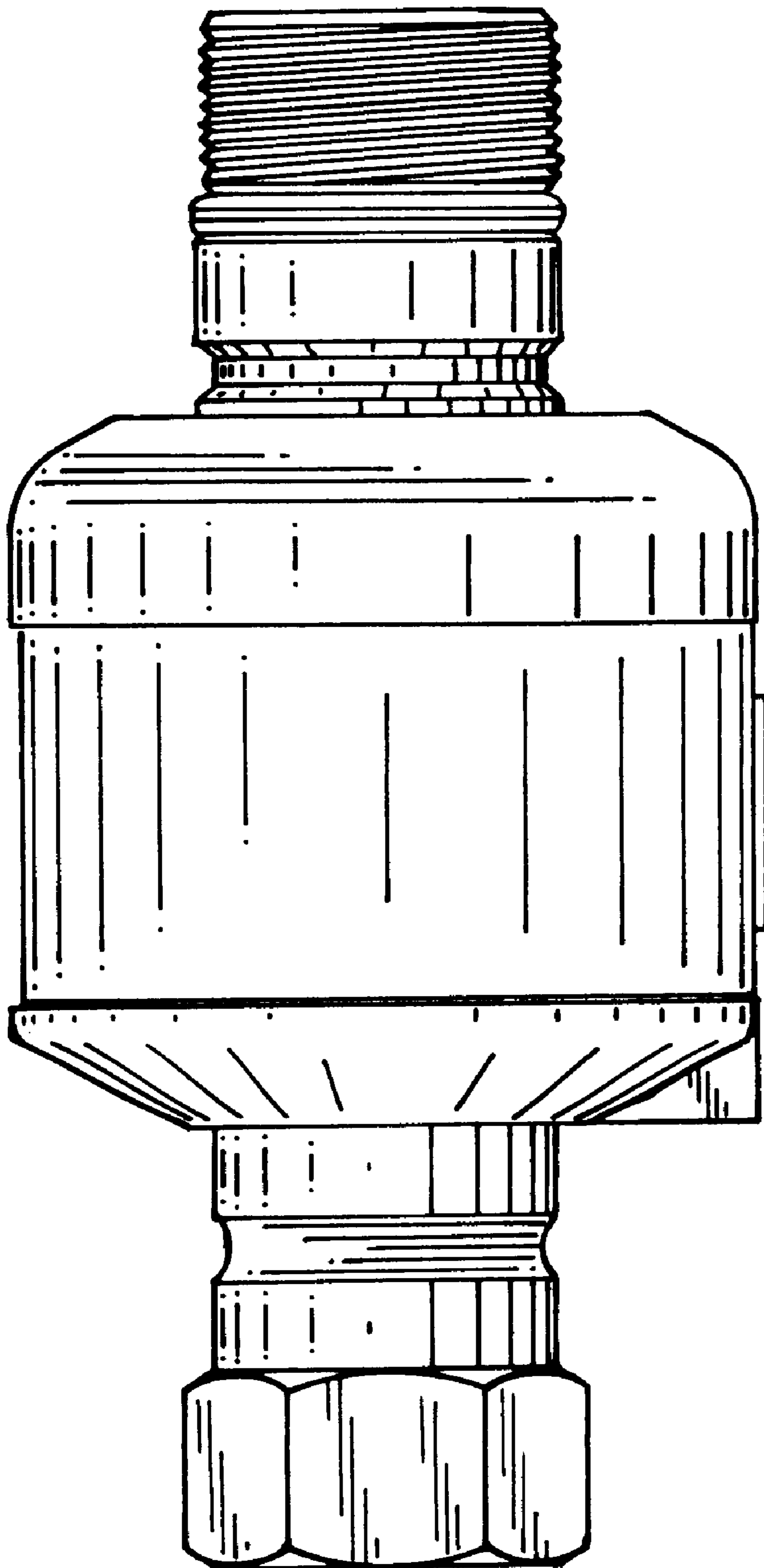


FIG. 18

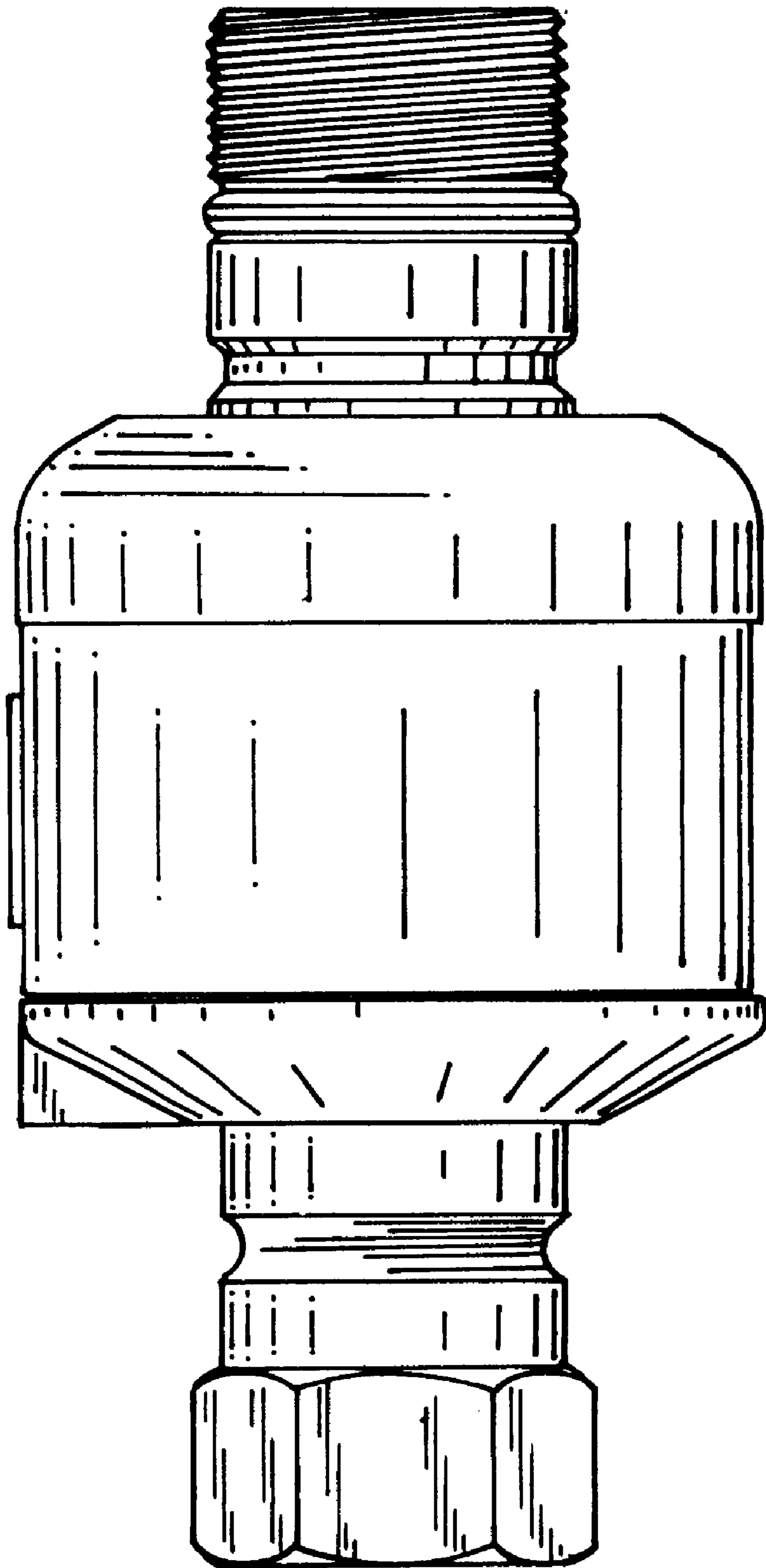


FIG. 19

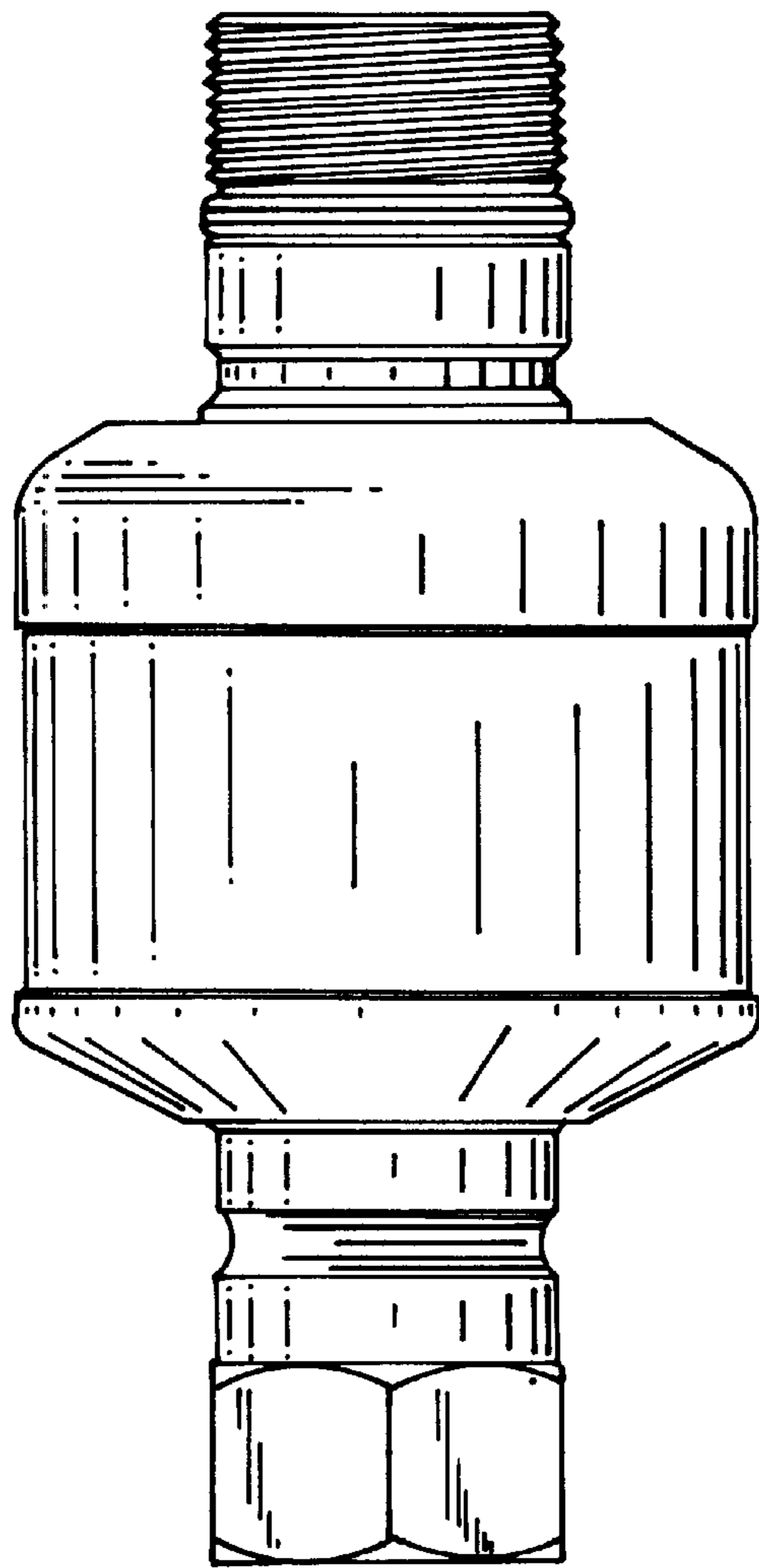


FIG. 20

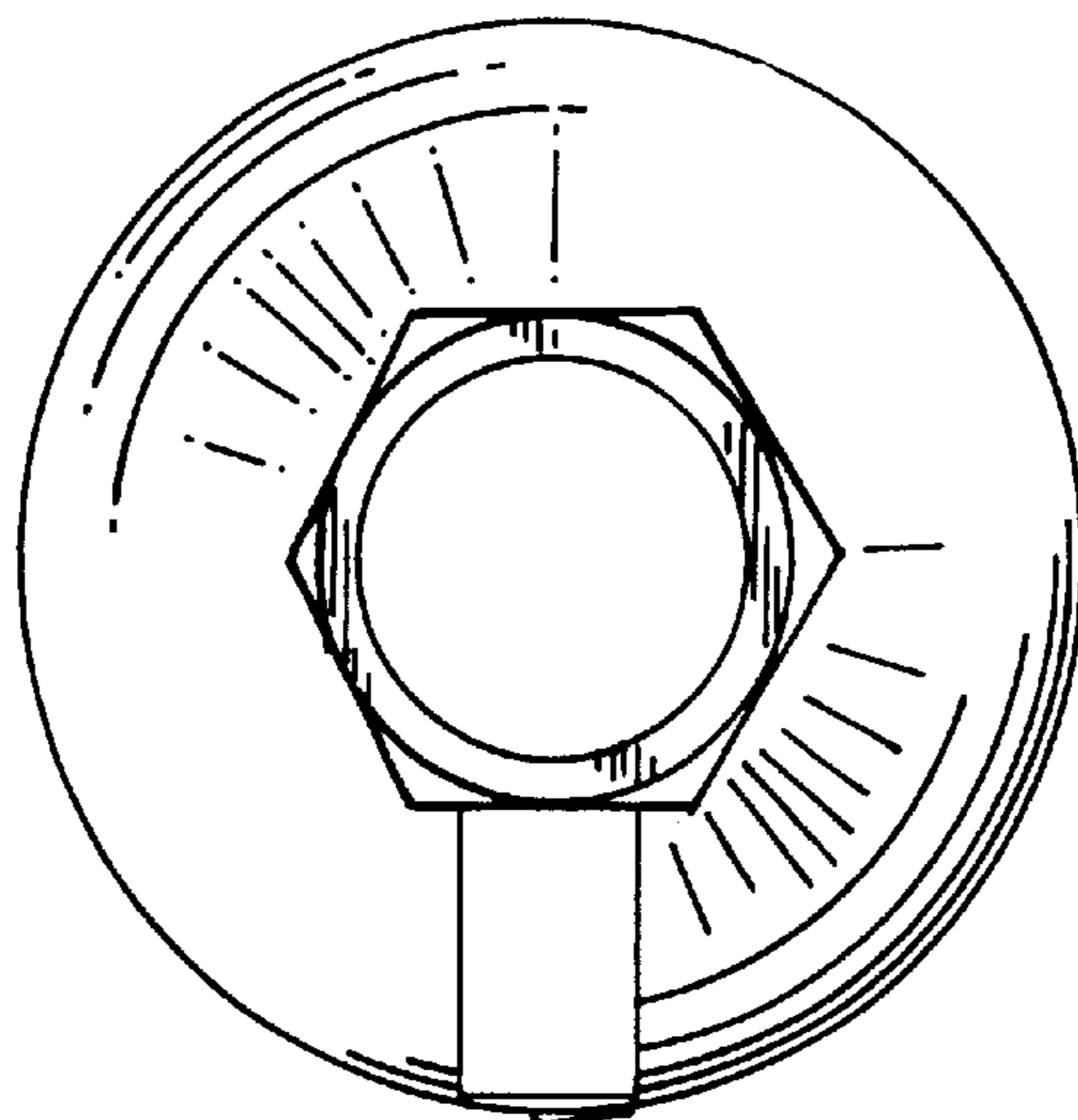


FIG. 21