



US00D472830S

(12) **United States Design Patent**
Chang

(10) **Patent No.:** **US D472,830 S**

(45) **Date of Patent:** **** Apr. 8, 2003**

(54) **CLAMP TYPE ELECTRICAL MULTIMETER (II)**

D447,070 S * 8/2001 Chen D10/79
D450,002 S * 11/2001 Chang D10/79

(75) Inventor: **Shan-Wen Chang**, Taipei (TW)

* cited by examiner

(73) Assignee: **APPA Technology Corp.**, Taipei (TW)

Primary Examiner—Antoine Duval Davis
(74) *Attorney, Agent, or Firm*—Troxell Law Office PLLC

(**) Term: **14 Years**

(57) **CLAIM**

(21) Appl. No.: **29/160,231**

The ornamental design for a clamp type electrical multimeter (II), as shown and described.

(22) Filed: **May 8, 2002**

DESCRIPTION

(51) **LOC (7) Cl.** **10-04**

(52) **U.S. Cl.** **D10/79**

(58) **Field of Search** D10/79; 324/115–117,
324/126–130, 142, 143, 149, 156, 158 P,
158 F

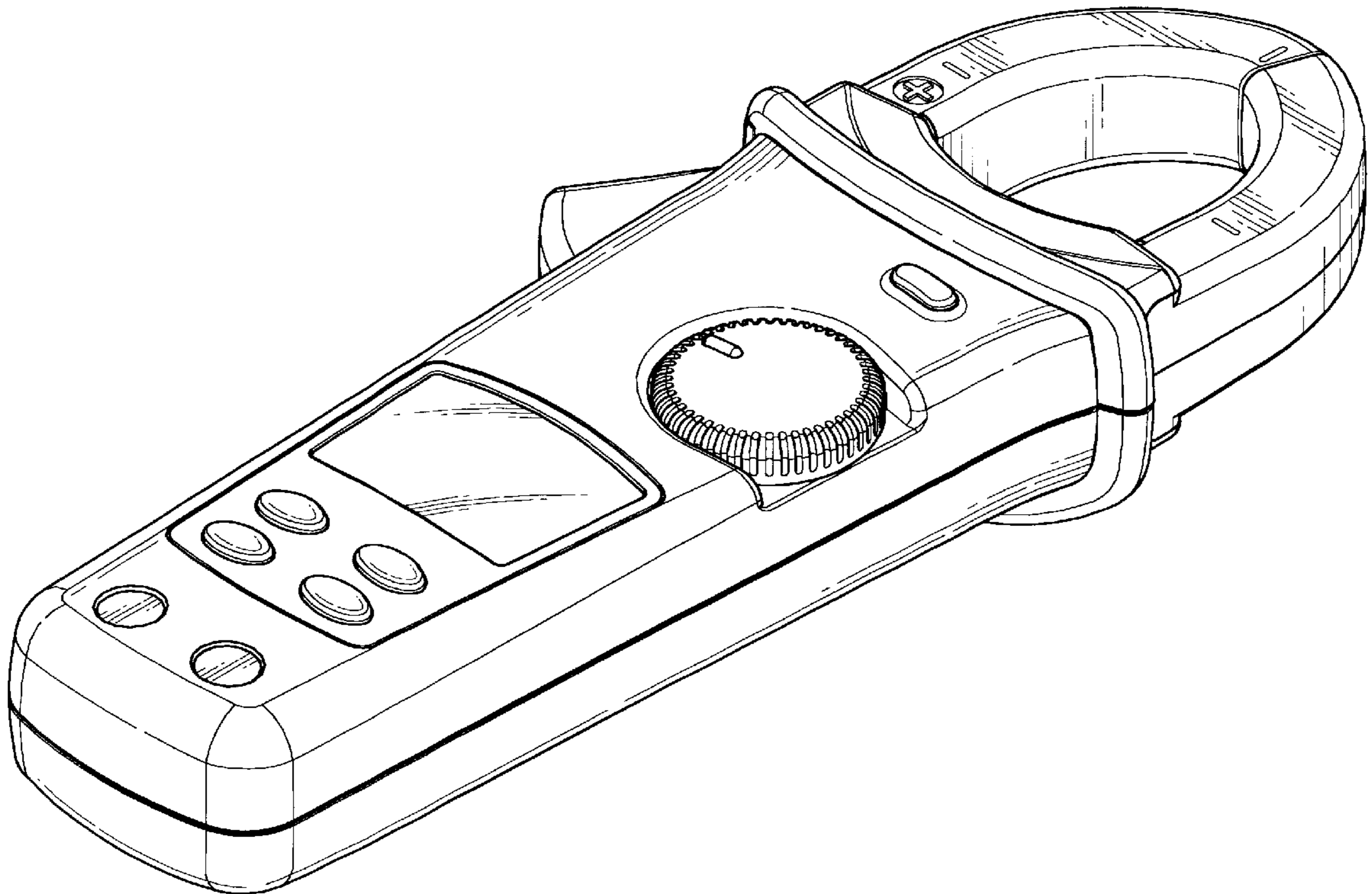
FIG. 1 is a perspective view of the clamp type electrical multimeter (II) showing the new design; FIG. 2 is a front view of the new design; FIG. 3 is a rear view of the new design; FIG. 4 is a left view of the new design; FIG. 5 is a right view of the new design; FIG. 6 is a top view of the new design; and, FIG. 7 is a bottom view of the new design.

(56) **References Cited**

U.S. PATENT DOCUMENTS

D440,892 S * 4/2001 Kuramoto D10/79

1 Claim, 6 Drawing Sheets



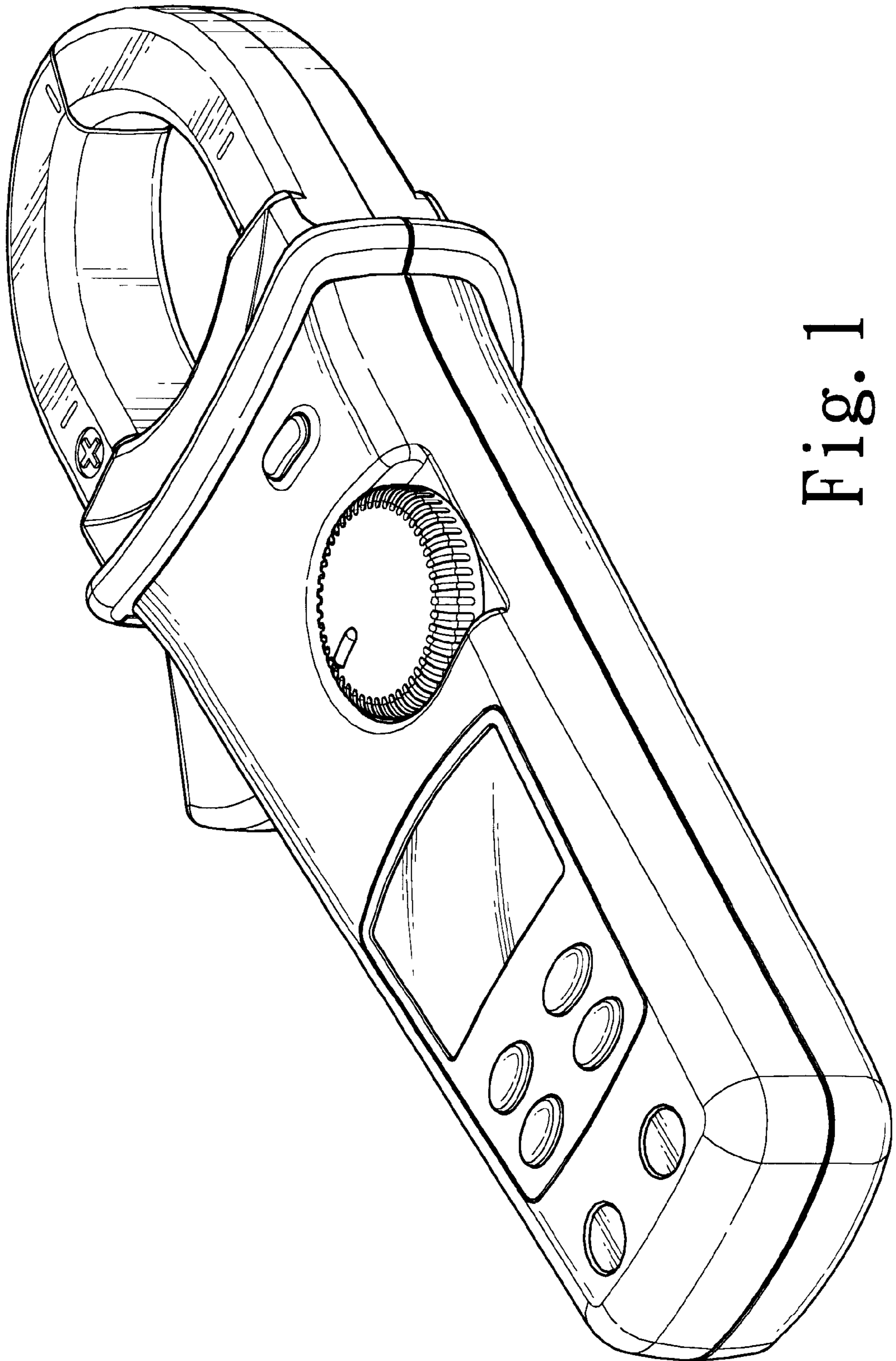


Fig. 1

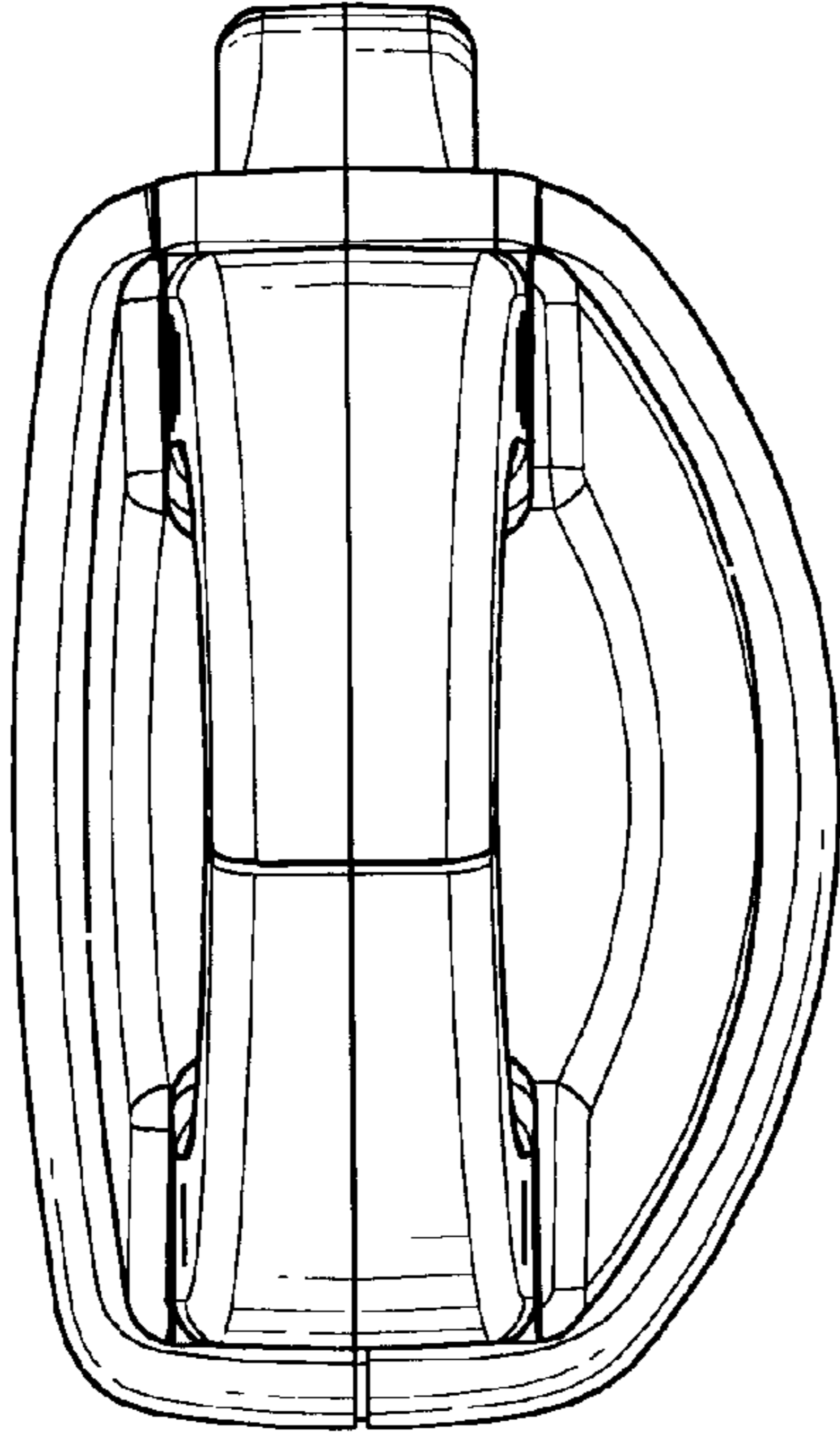


Fig. 3

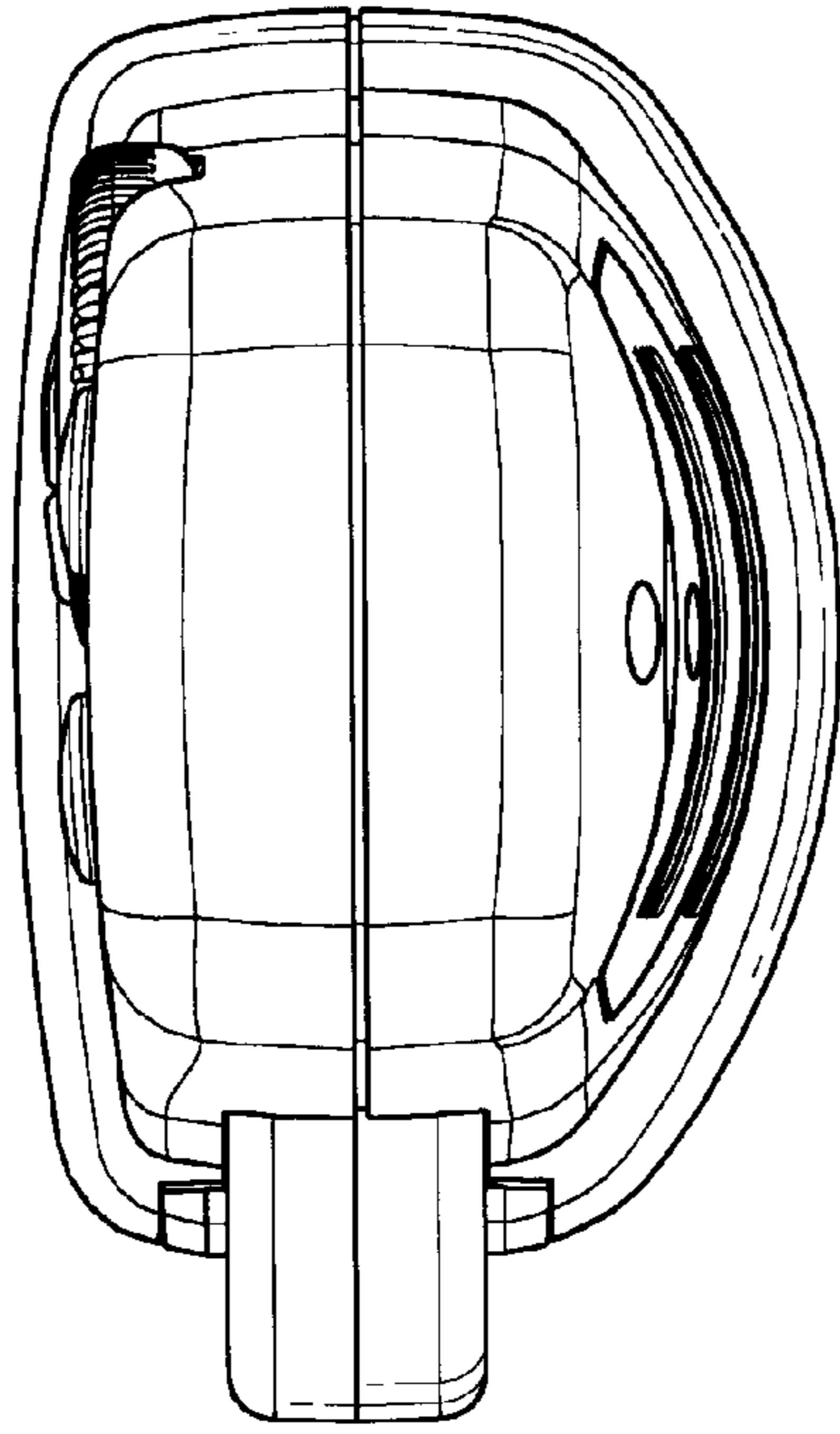


Fig. 2

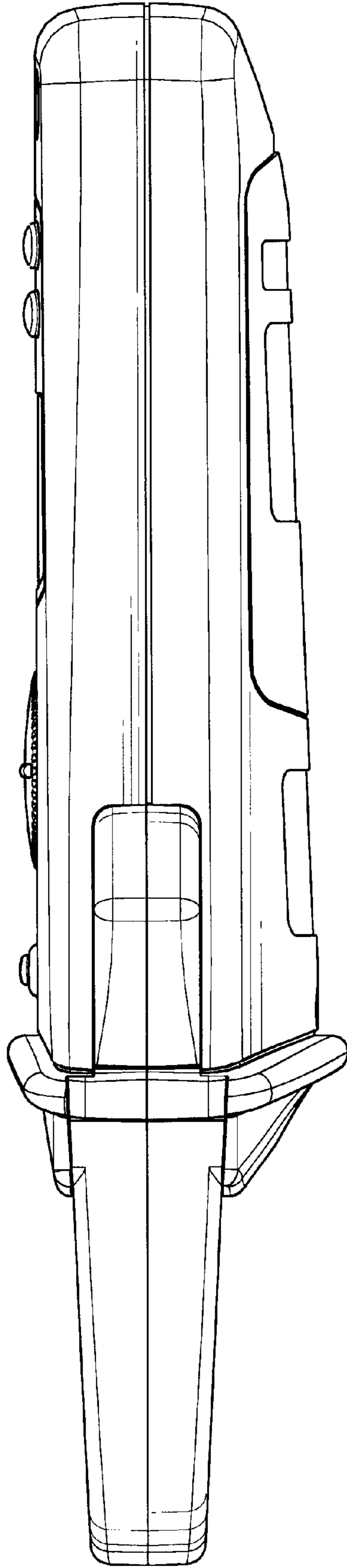


Fig. 4

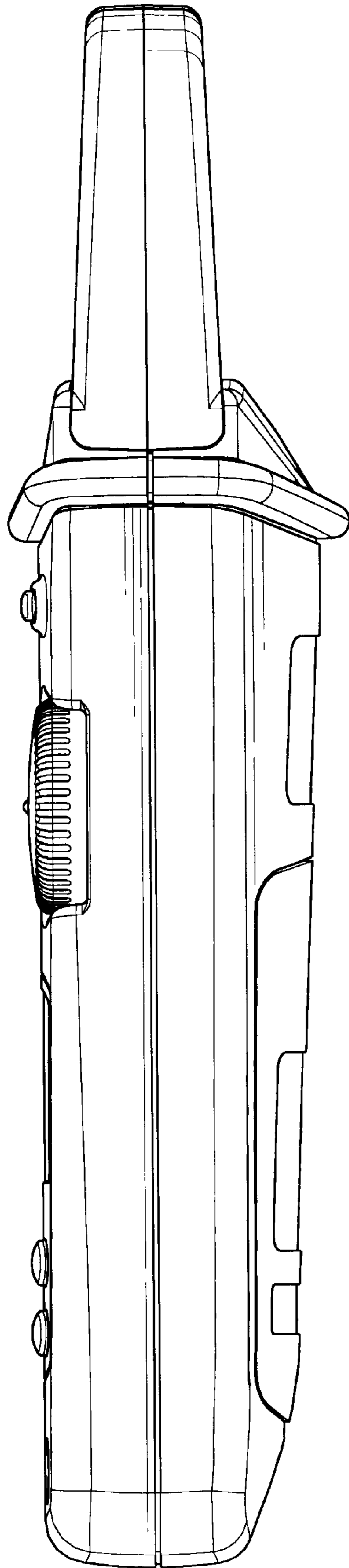


Fig. 5

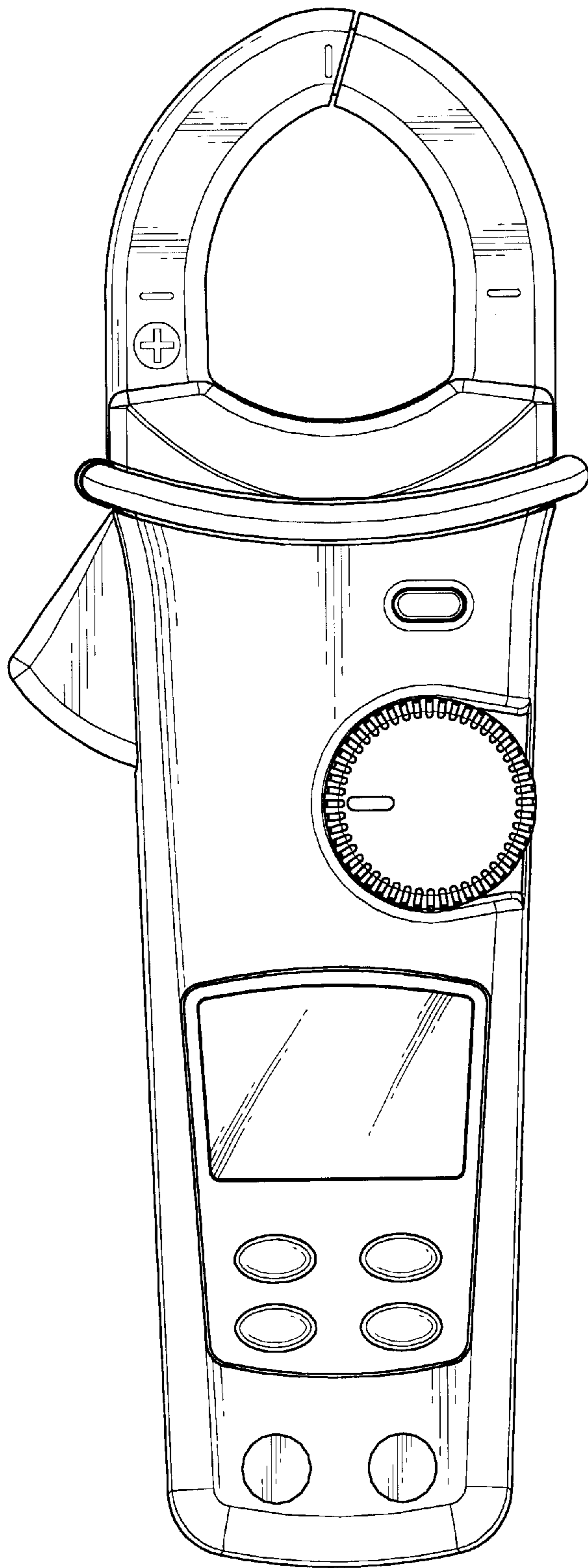


Fig. 6

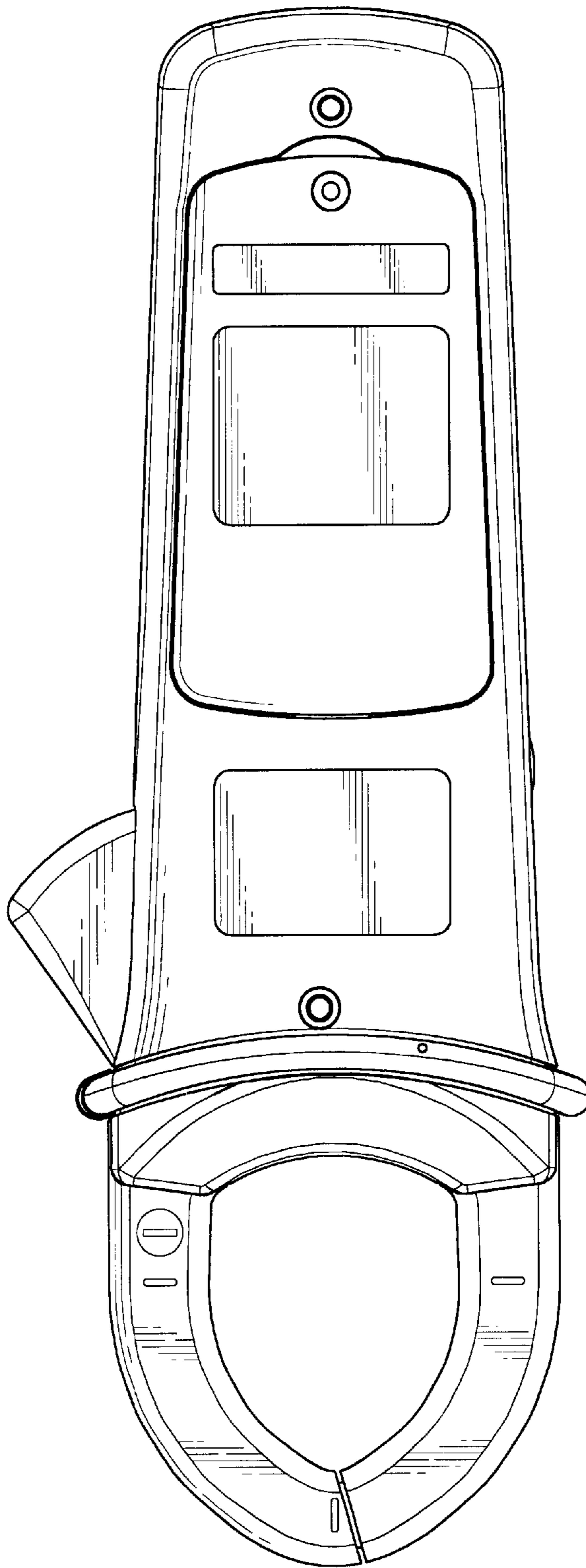


Fig. 7