



US00D472827S

(12) **United States Design Patent**  
**Harju et al.**

(10) **Patent No.:** **US D472,827 S**

(45) **Date of Patent:** **\*\* Apr. 8, 2003**

(54) **VOLTAGE TESTER**

(75) Inventors: **Rey P. Harju**, Fullerton, CA (US);  
**James L. Gregorec, Jr.**, Sycamore, IL  
(US); **David Hines**, Santa Ana, CA  
(US)

(73) Assignee: **Ideal Industries, Inc.**, Sycamore, IL  
(US)

(\*\*) Term: **14 Years**

(21) Appl. No.: **29/159,972**

(22) Filed: **May 1, 2002**

(51) **LOC (7) Cl.** ..... **10-04**

(52) **U.S. Cl.** ..... **D10/78**

(58) **Field of Search** ..... D10/78; 324/133,  
324/72.5, 115, 149

(56) **References Cited**

**U.S. PATENT DOCUMENTS**

4,066,953	A	*	1/1978	Gold et al.	.....	324/133	X
4,160,206	A	*	7/1979	Bojarski	.....	324/133	
4,205,264	A	*	5/1980	Gold	.....	324/556	
D299,318	S	*	1/1989	Chiang	.....	D10/78	

\* cited by examiner

*Primary Examiner*—Antoine Duval Davis  
(74) *Attorney, Agent, or Firm*—Cook, Alex, McFarron,  
Manzo, Cummings & Mehler, Ltd.

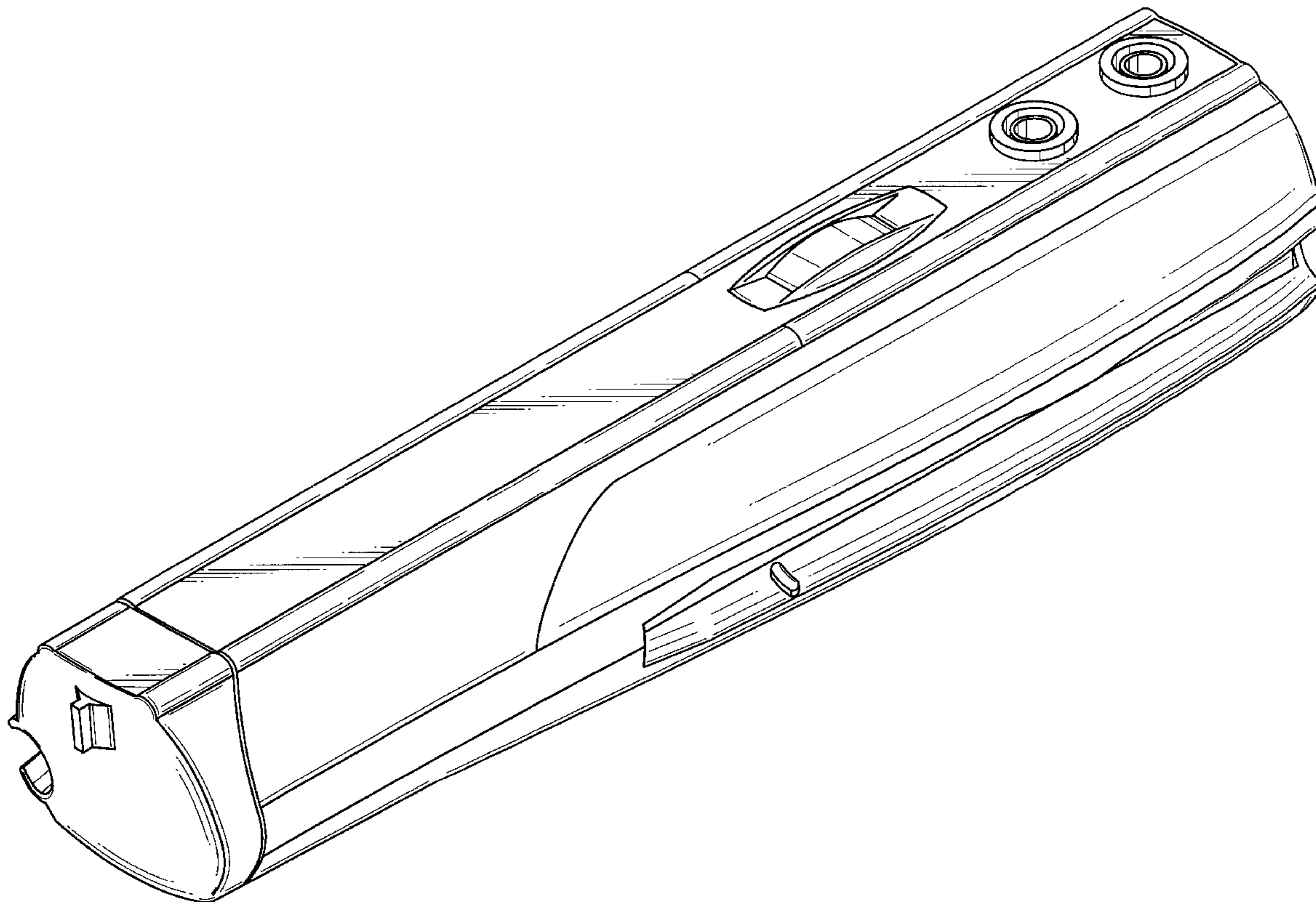
(57) **CLAIM**

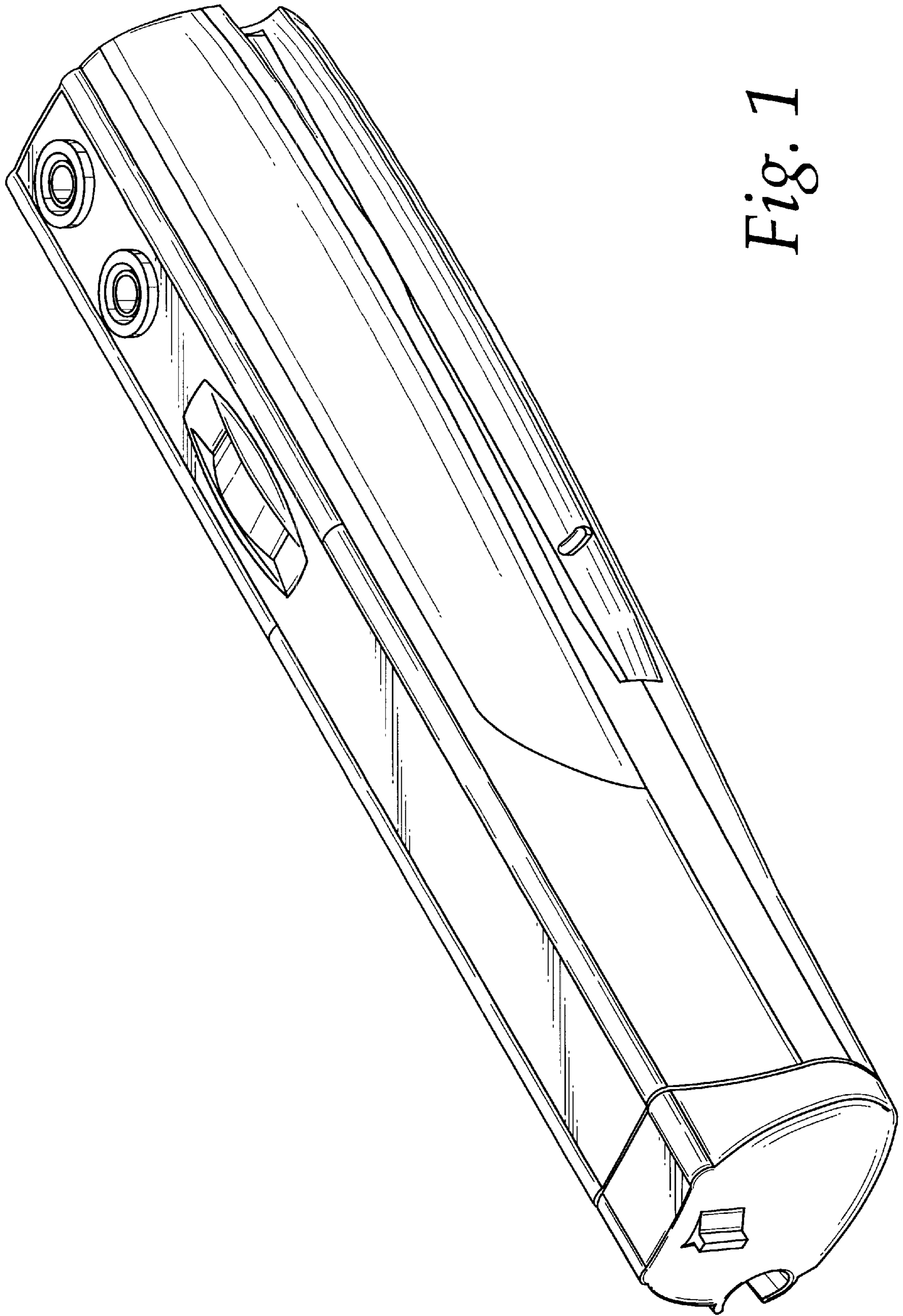
The ornamental design for a voltage tester, as shown and described.

**DESCRIPTION**

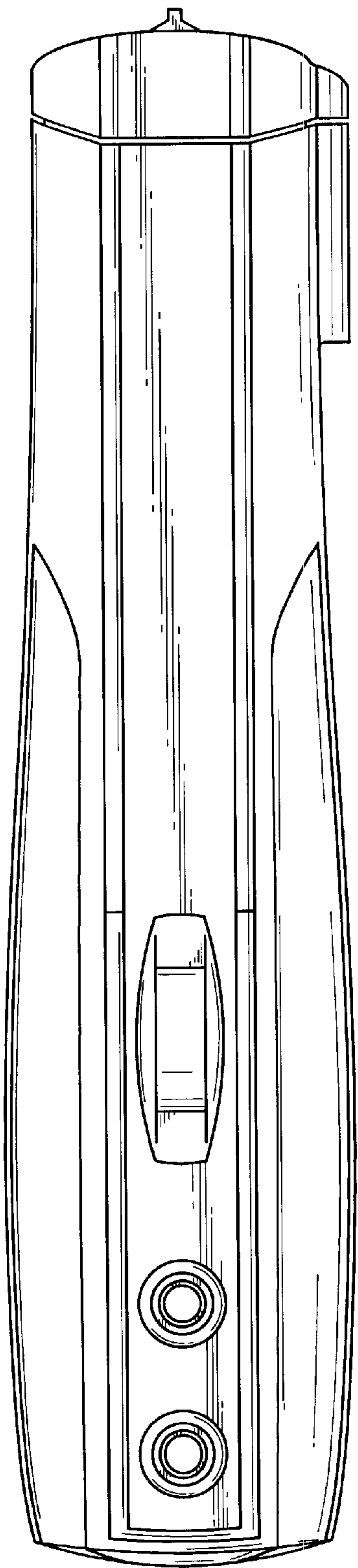
FIG. 1 is a perspective view of the voltage tester.  
 FIG. 2 is a front elevation view of the voltage tester.  
 FIG. 3 is a rear elevation view of the voltage tester.  
 FIG. 4 is a right side elevation view of the voltage tester.  
 FIG. 5 is a left side elevation view of the voltage tester.  
 FIG. 6 is a top plan view of the voltage tester.  
 FIG. 7 is a bottom plan view of the voltage tester.  
 FIG. 8 is a perspective view of the voltage tester showing a second embodiment.  
 FIG. 9 is a front elevation view of the voltage tester.  
 FIG. 10 is a rear elevation view of the voltage tester.  
 FIG. 11 is a right side elevation view of the voltage tester.  
 FIG. 12 is a left side elevation view of the voltage tester.  
 FIG. 13 is a top plan view of the voltage tester; and,  
 FIG. 14 is a bottom plan view of the voltage tester.  
 The broken line showing is for illustrative purposes only and forms no part of the claimed design.

**1 Claim, 8 Drawing Sheets**

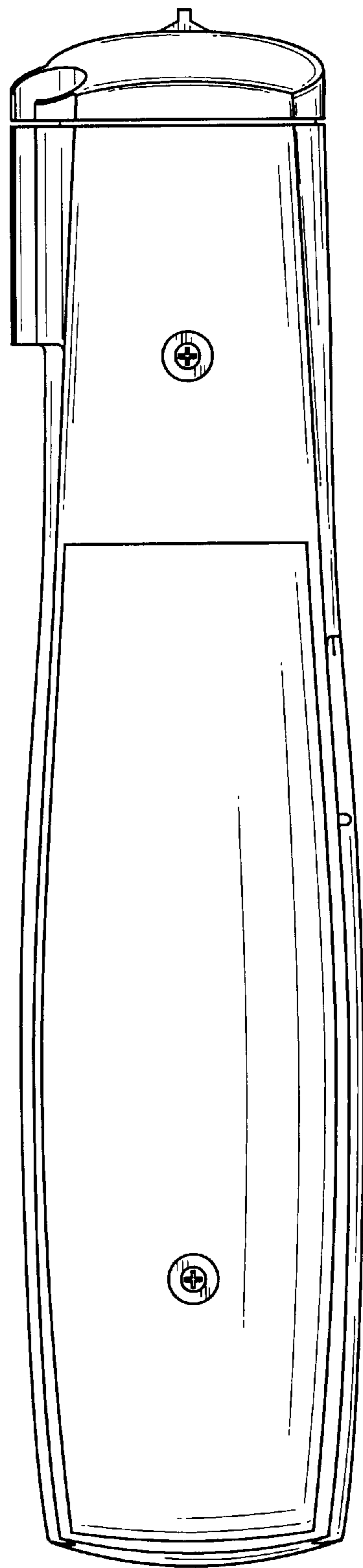




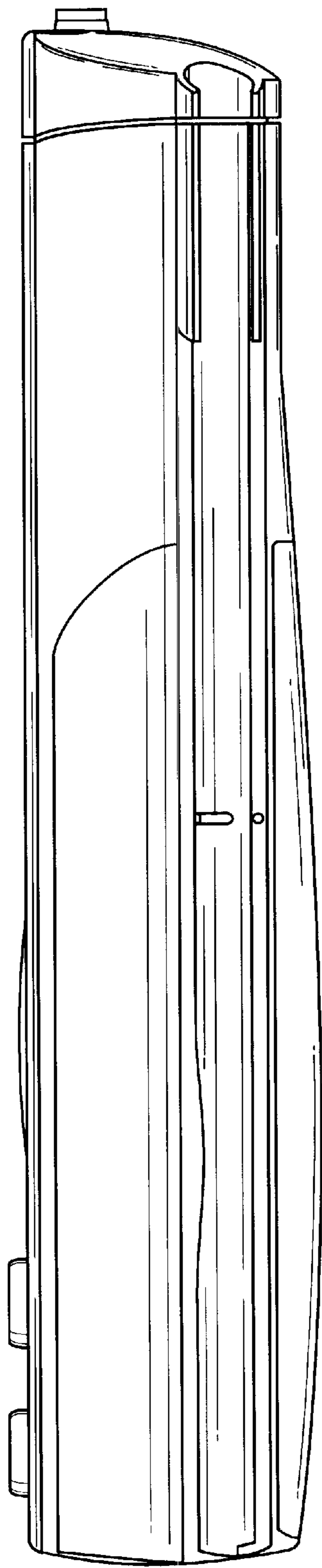
*Fig. 1*



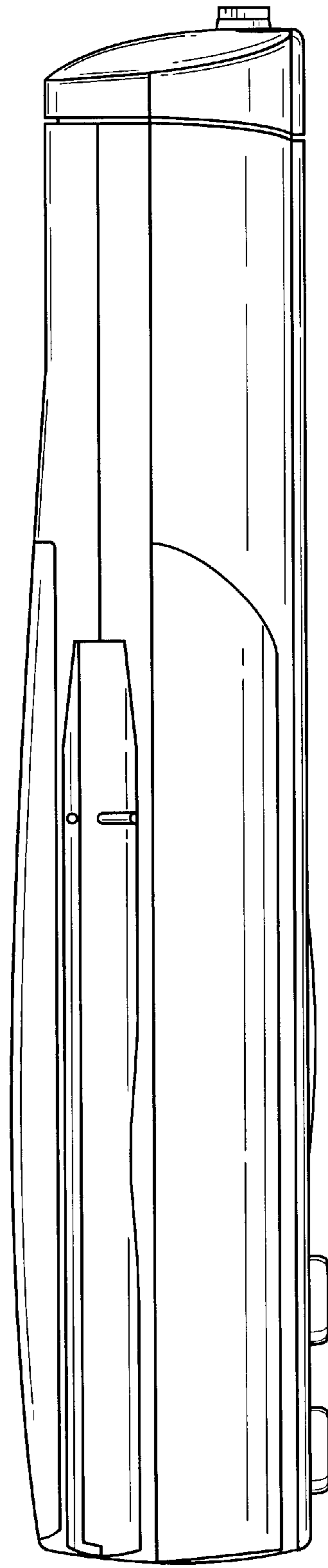
*Fig. 2*



*Fig. 3*

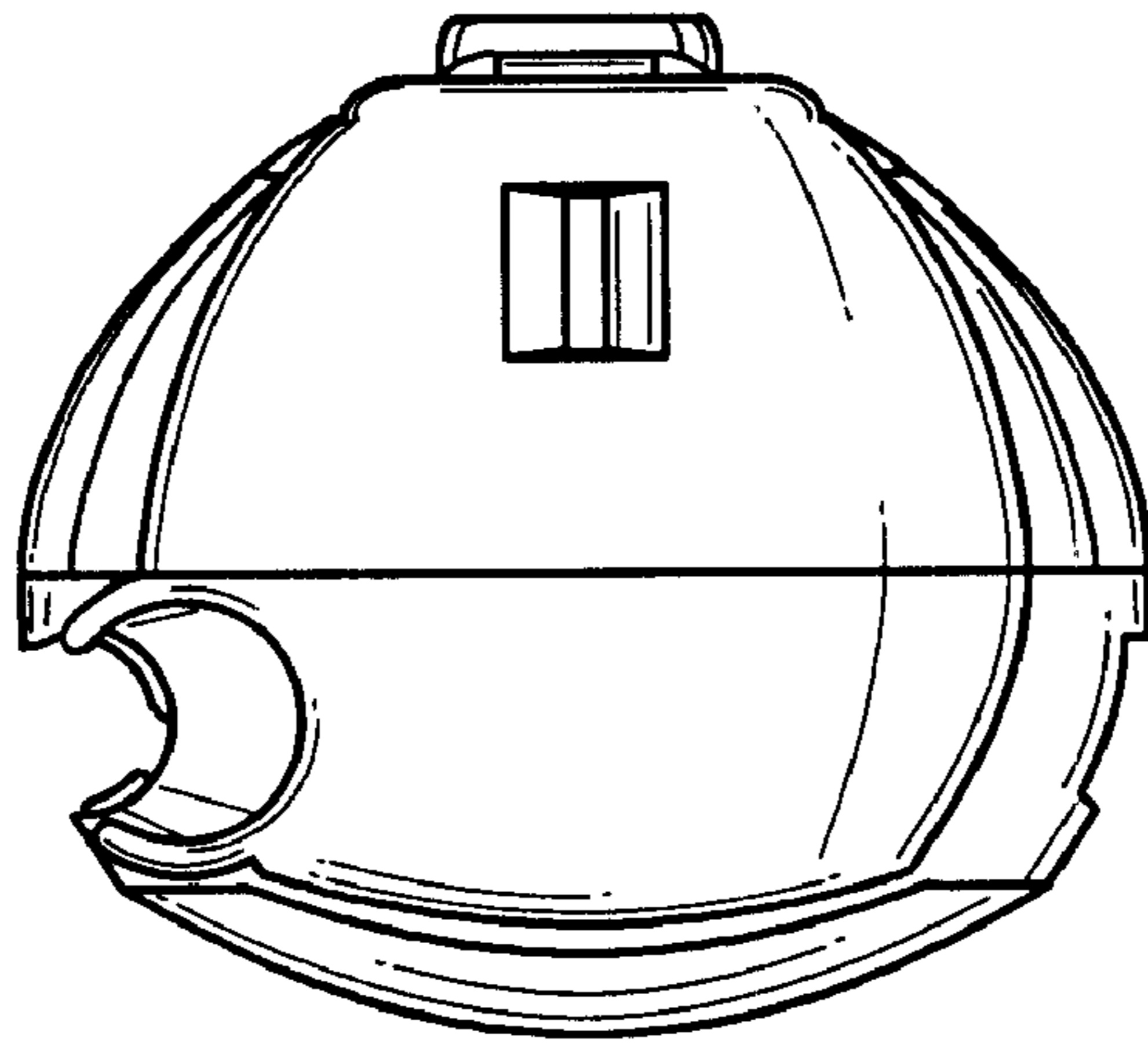


*Fig. 4*

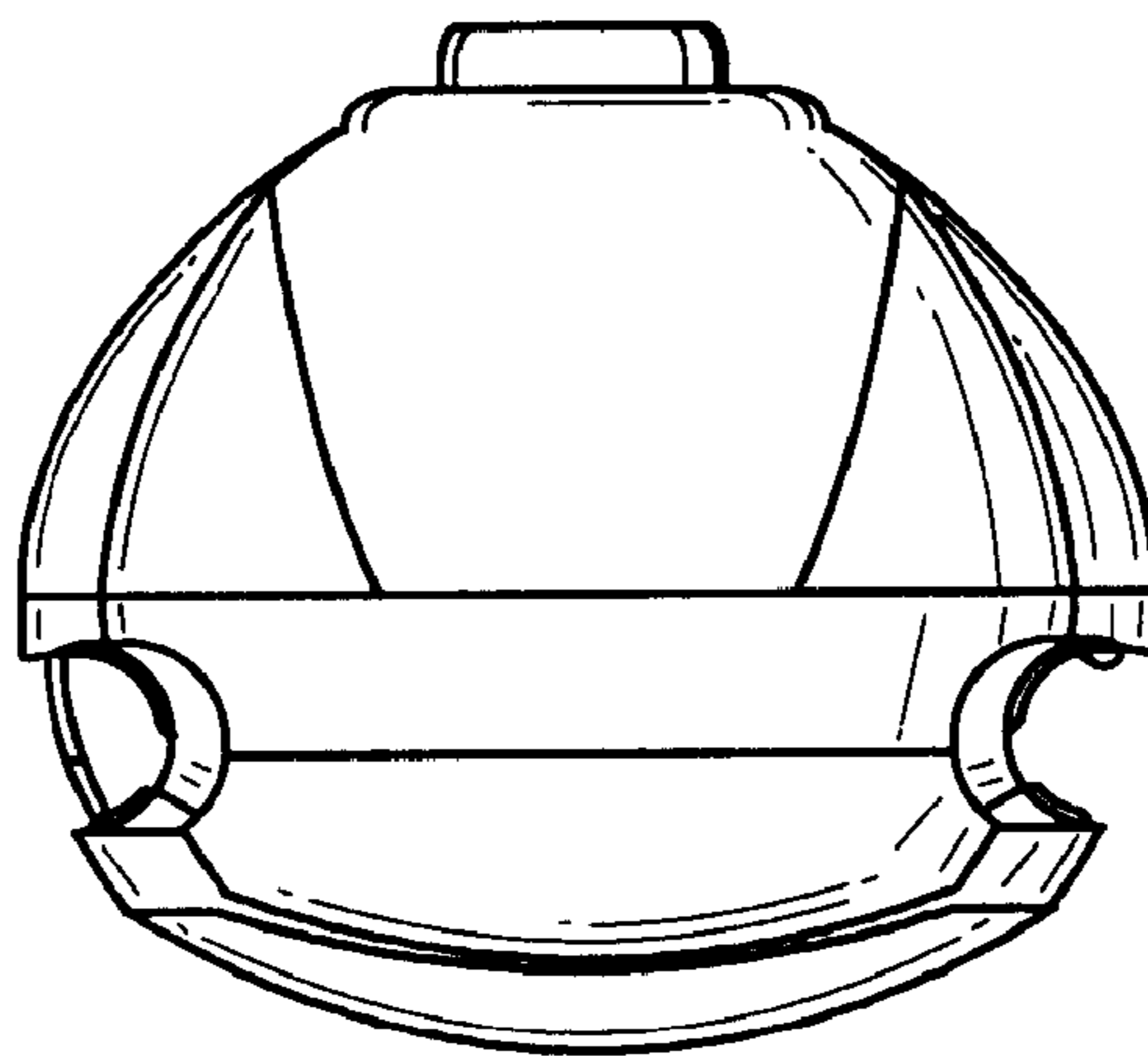


*Fig. 5*





*Fig. 6*



*Fig. 7*

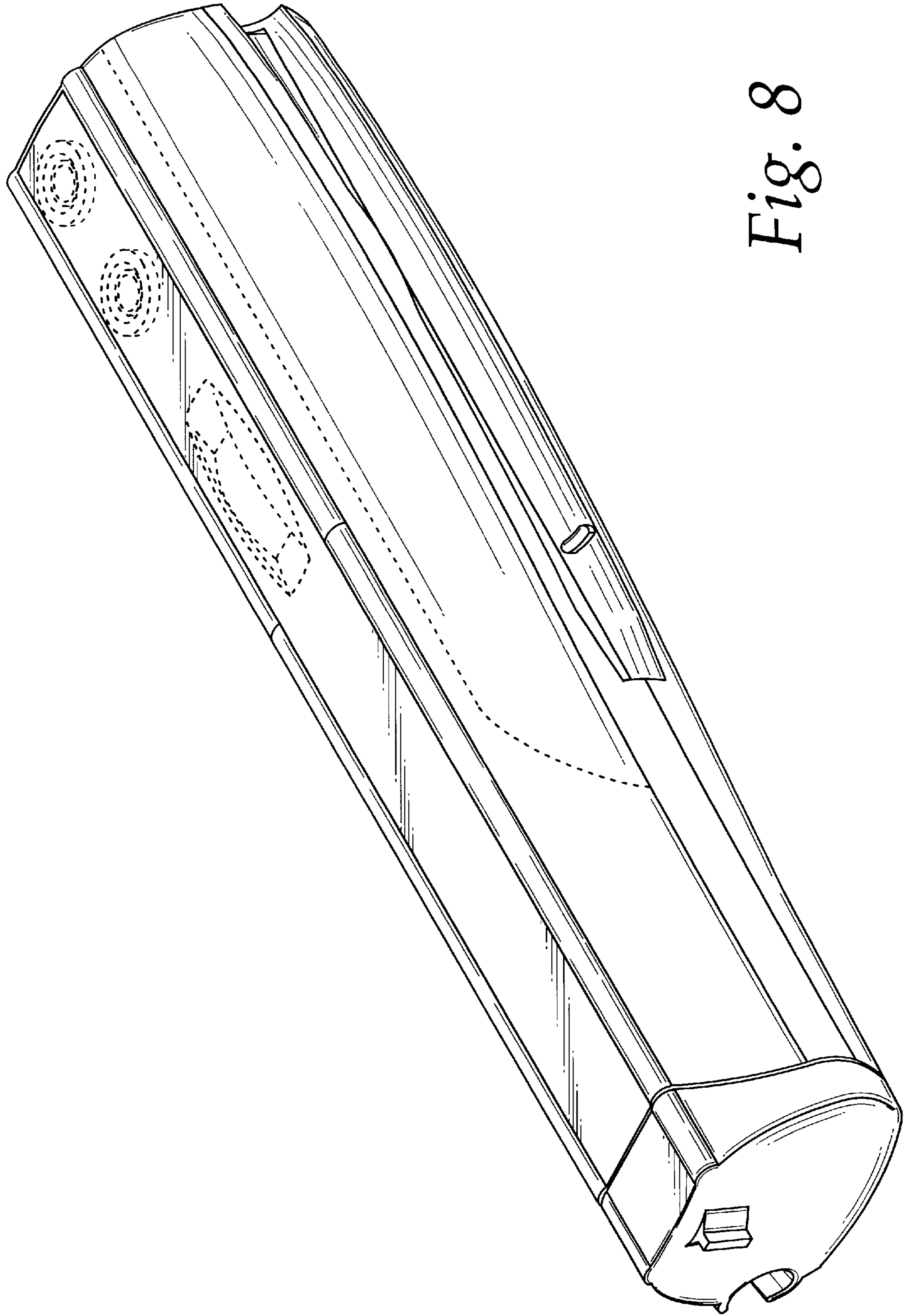
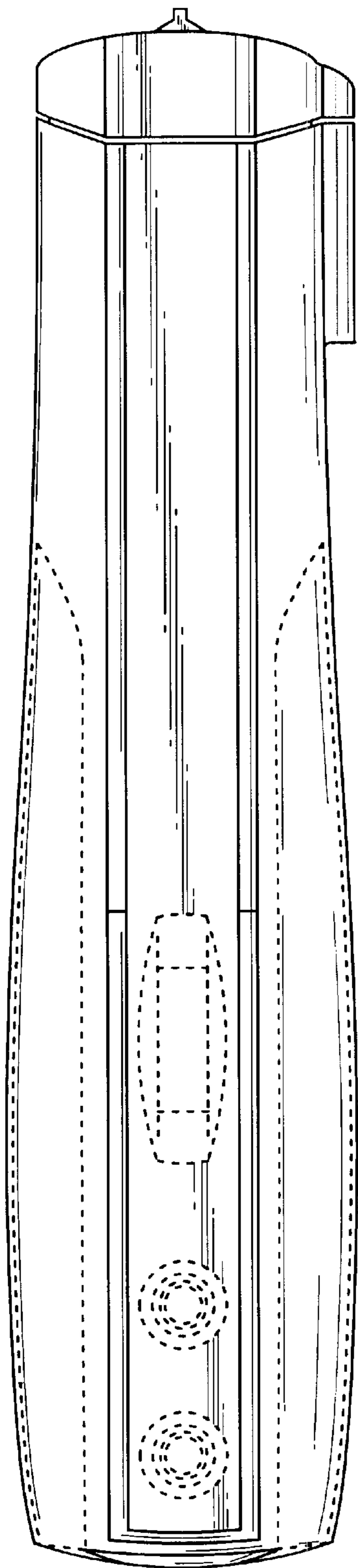
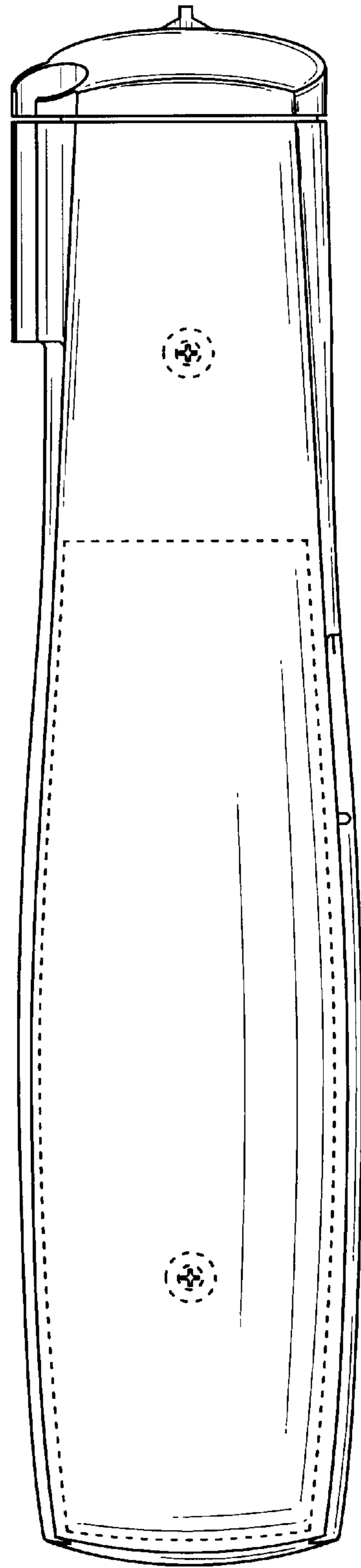


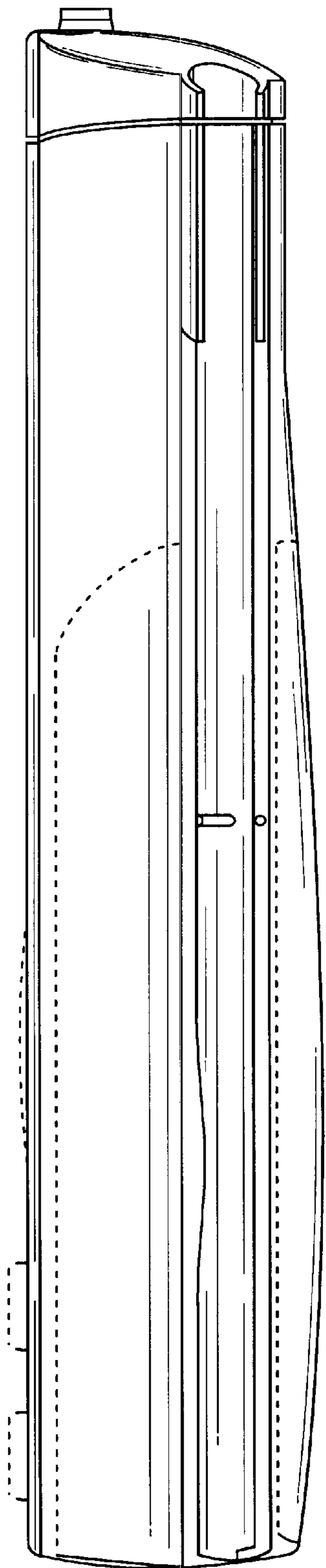
Fig. 8



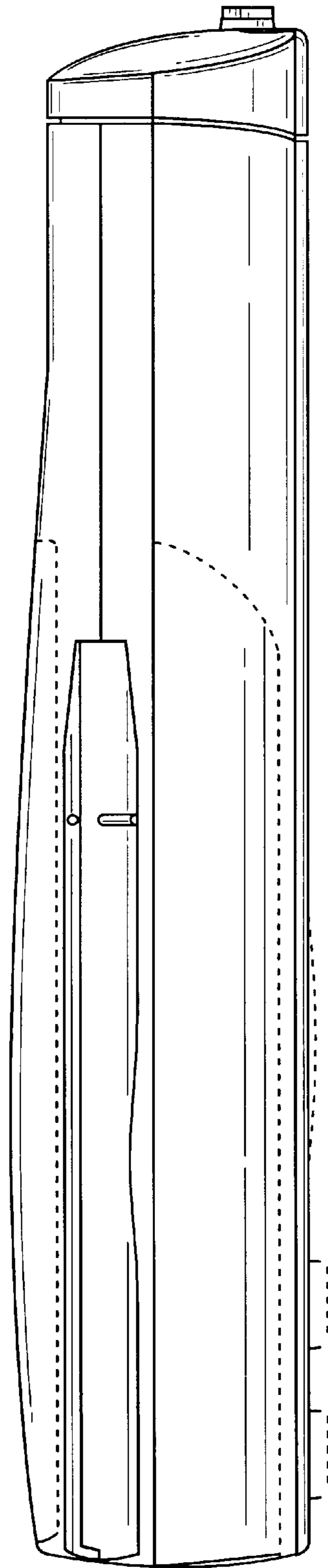
*Fig. 9*



*Fig. 10*

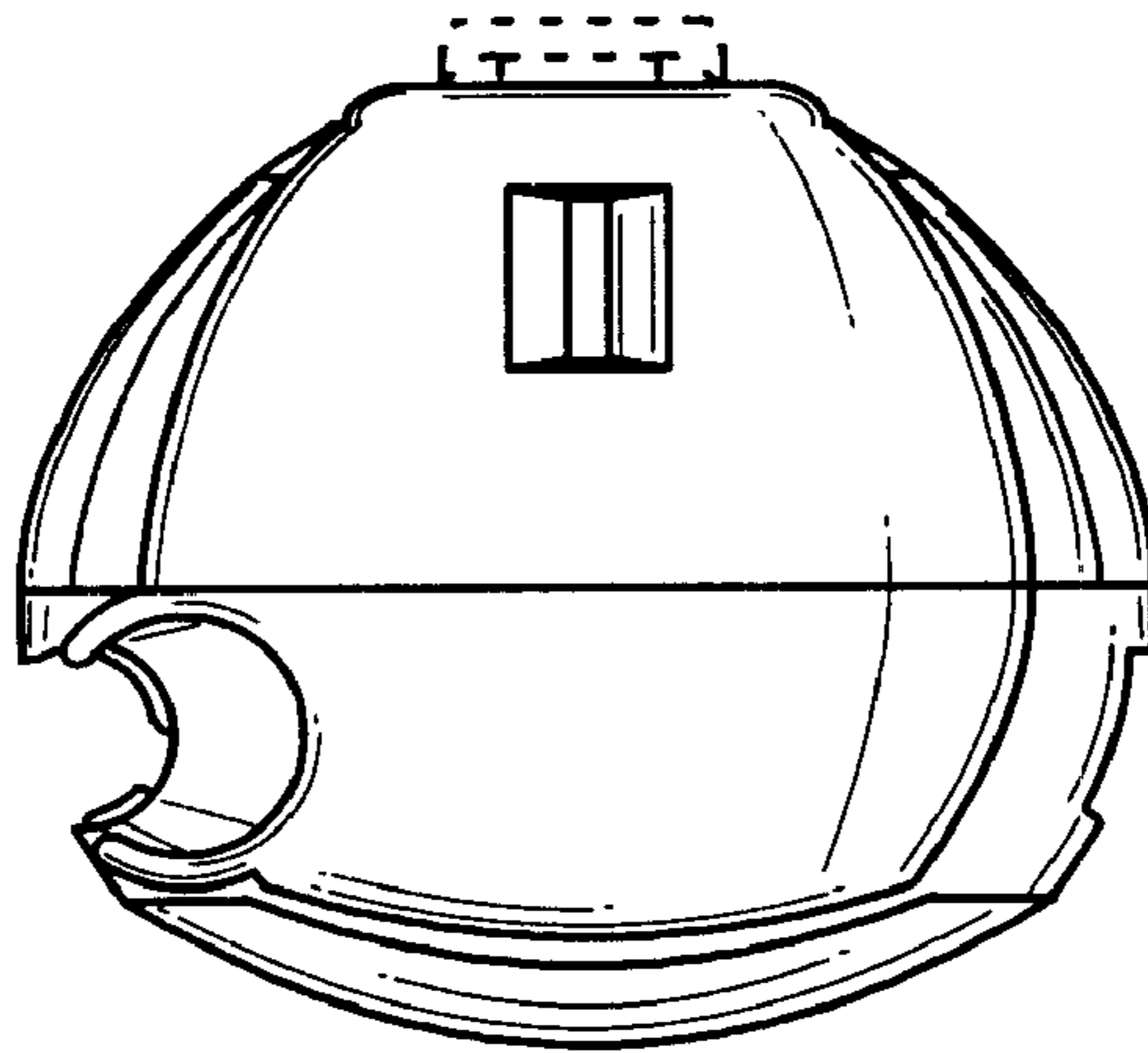


*Fig. 11*

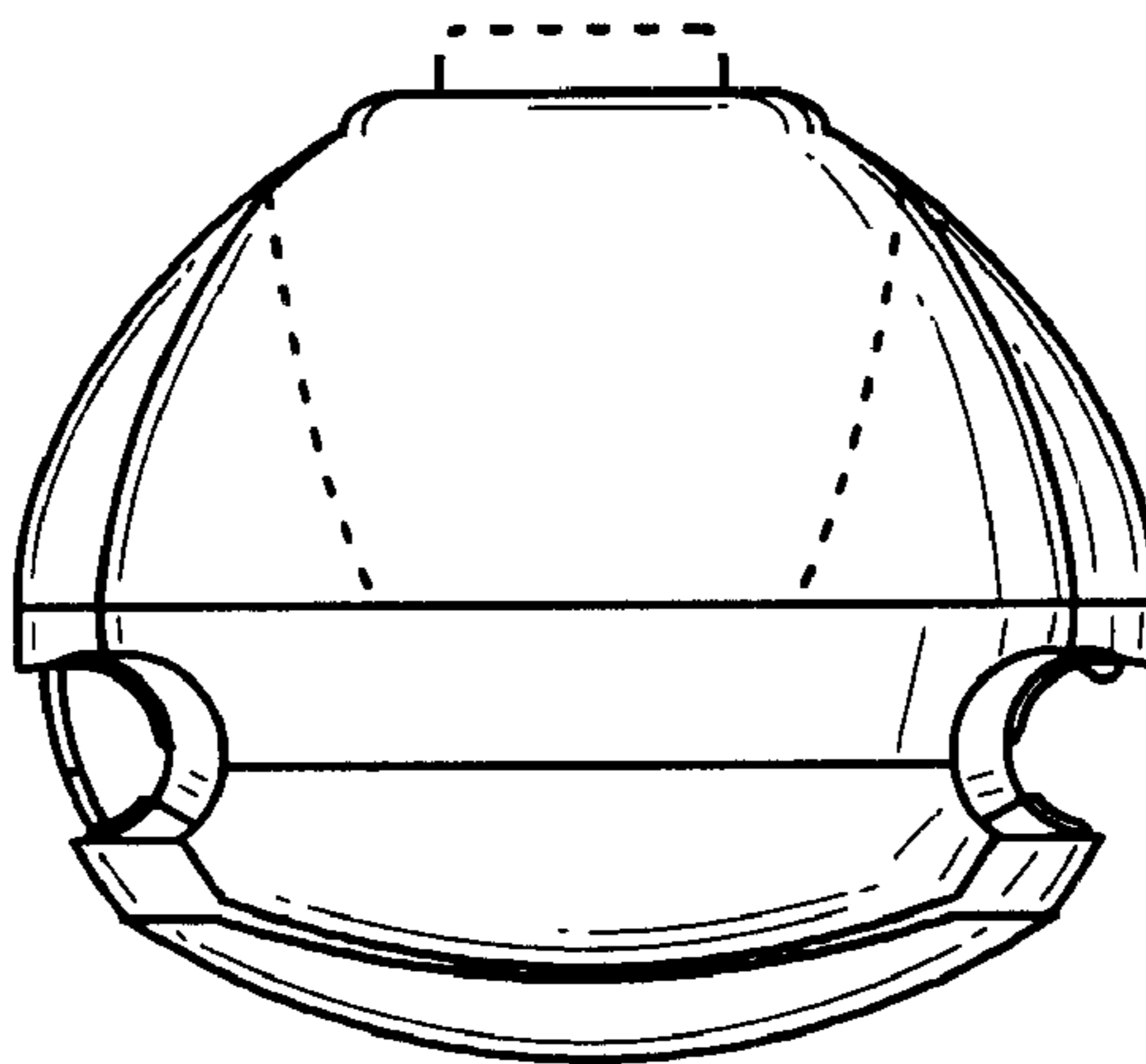


*Fig. 12*





*Fig. 13*



*Fig. 14*